



US00D603638S

(12) **United States Design Patent**
Murphy

(10) **Patent No.:** **US D603,638 S**

(45) **Date of Patent:** **** Nov. 10, 2009**

(54) **SHELF**

(76) **Inventor:** **Scott A. Murphy**, 27364 Weld County Rd., 62 3/4, Gill, CO (US) 80624

(**) **Term:** **14 Years**

(21) **Appl. No.:** **29/337,320**

(22) **Filed:** **May 19, 2009**

Related U.S. Application Data

(62) Division of application No. 29/317,265, filed on Apr. 25, 2008.

(51) **LOC (9) Cl.** **06-04**

(52) **U.S. Cl.** **D6/562; D6/574**

(58) **Field of Classification Search** D6/524,
D6/525, 562, 574, 540; 108/59; 211/13.1,
211/86.01, 87.01, 88.01, 126.1, 106, 134,
211/126.9, 153, 182

See application file for complete search history.

(56) **References Cited**

U.S. PATENT DOCUMENTS

- D313,720 S * 1/1991 Sorenson et al. D6/574
- D364,527 S * 11/1995 Moon D6/574
- D367,576 S * 3/1996 Hickey-Niezgoda D6/562
- D395,135 S * 6/1998 Joss D6/562

- D395,488 S * 6/1998 Joss D6/562
- D417,107 S * 11/1999 Patel et al. D6/562
- D451,743 S * 12/2001 Henderson et al. D6/562

* cited by examiner

Primary Examiner—Brian N Vinson

(74) *Attorney, Agent, or Firm*—Sheridan Ross P.C.

(57) **CLAIM**

The ornamental design for a shelf, as shown and described.

DESCRIPTION

FIG. 1 is a front perspective view of a shelf showing my new design;

FIG. 2 is a top plan view of the invention illustrated in FIG. 1;

FIG. 3 is a left elevation view of the invention illustrated in FIG. 1;

FIG. 4 is a right elevation view of the invention illustrated in FIG. 1;

FIG. 5 is a front elevation view of the invention illustrated in FIG. 1;

FIG. 6 is a bottom plan view of the invention illustrated in FIG. 1; and,

FIG. 7 is a rear elevation view of the invention illustrated in FIG. 1.

1 Claim, 2 Drawing Sheets

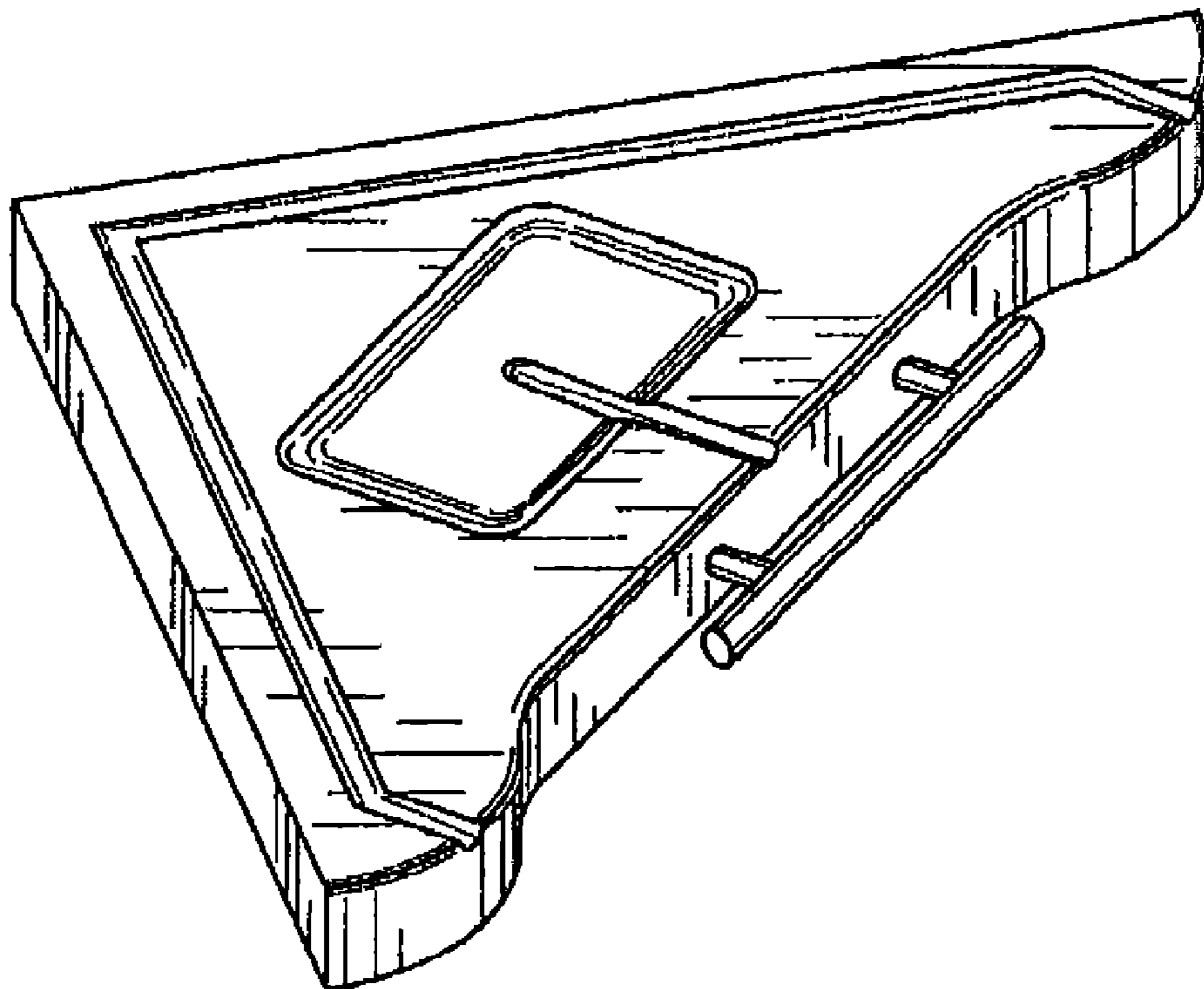


Fig. 1

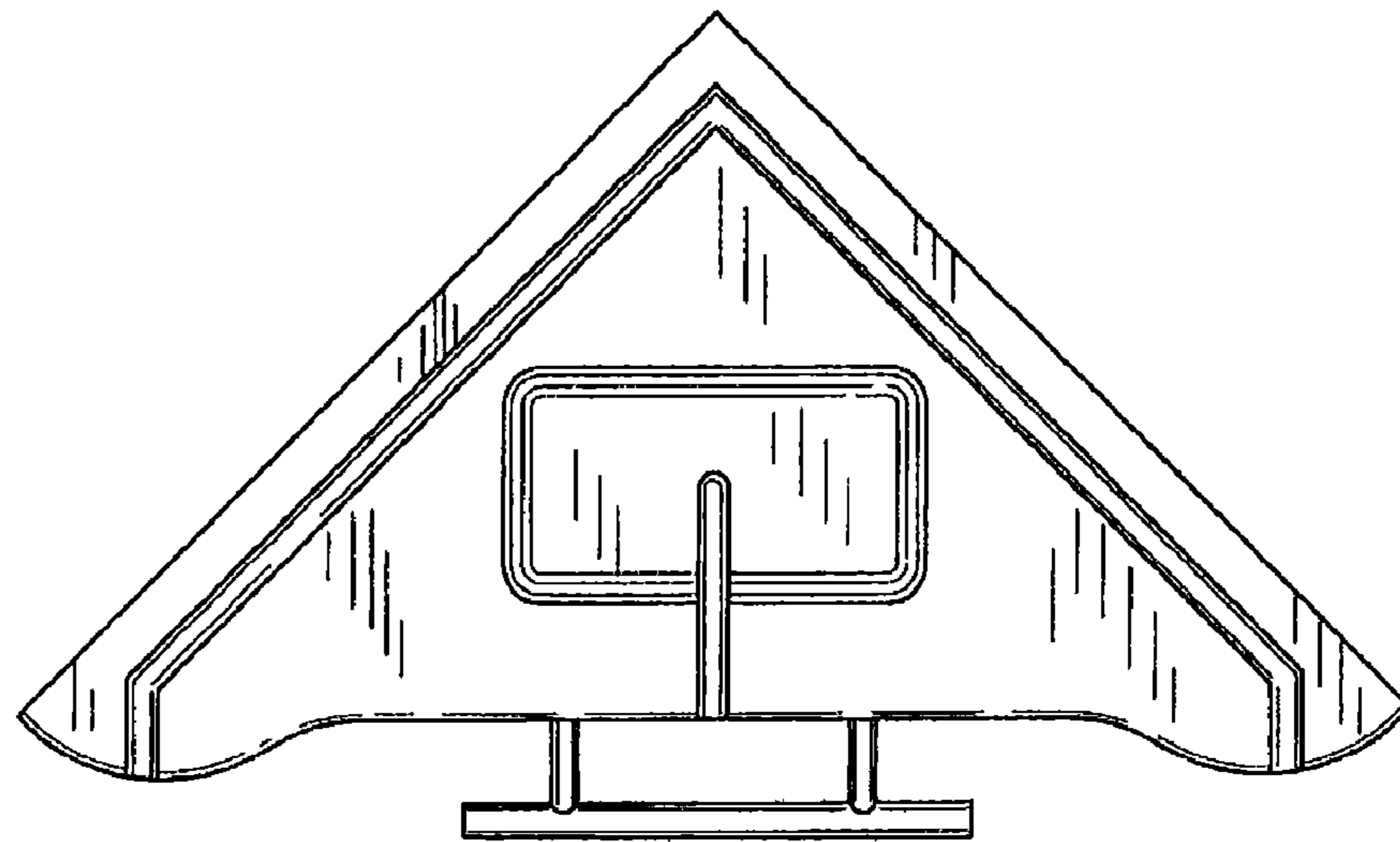
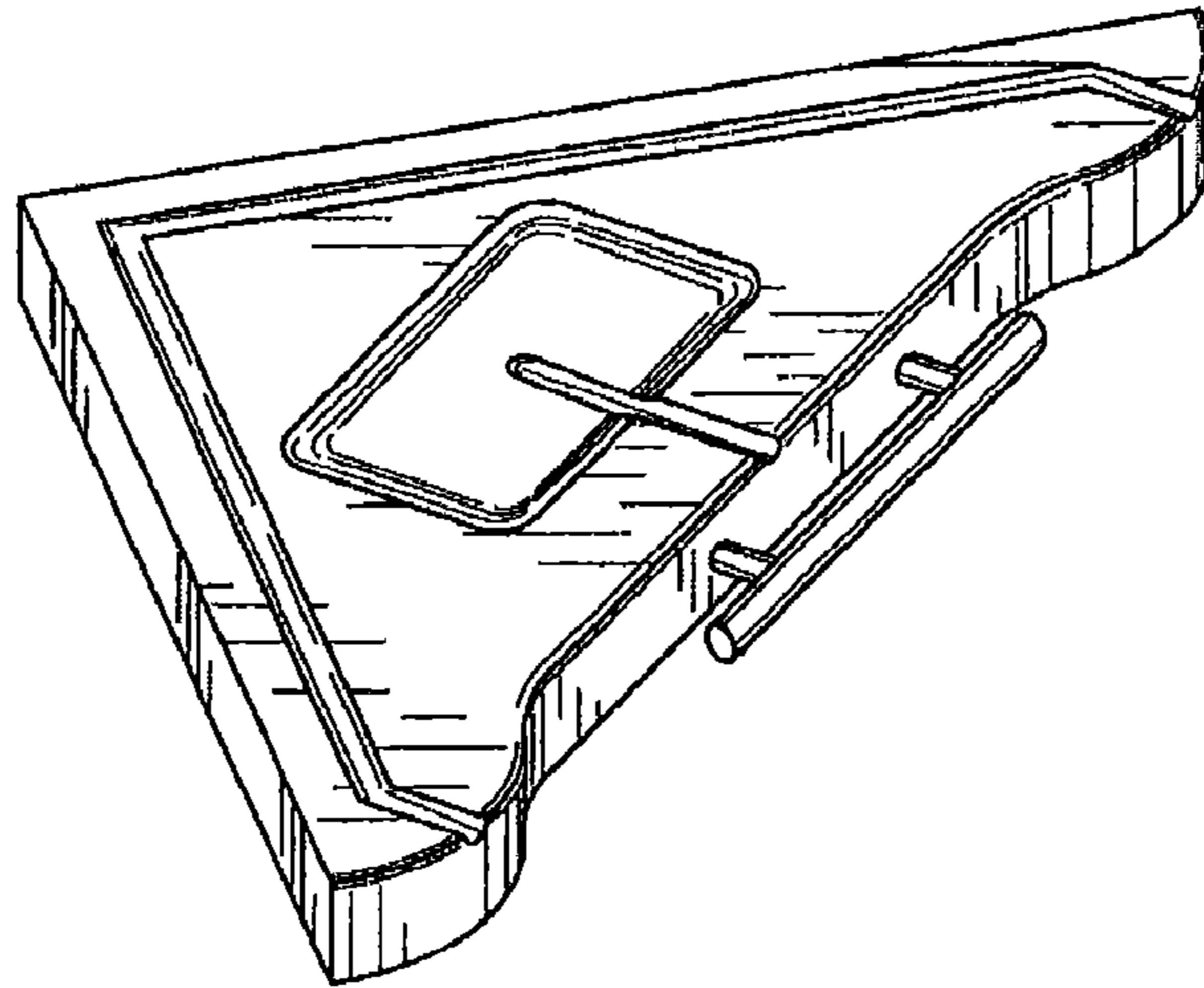


Fig. 2



Fig. 3



Fig. 4

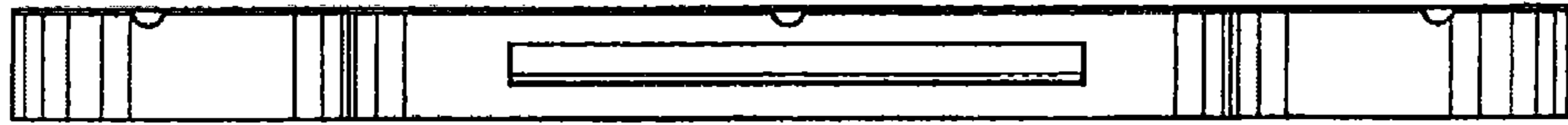


Fig. 5

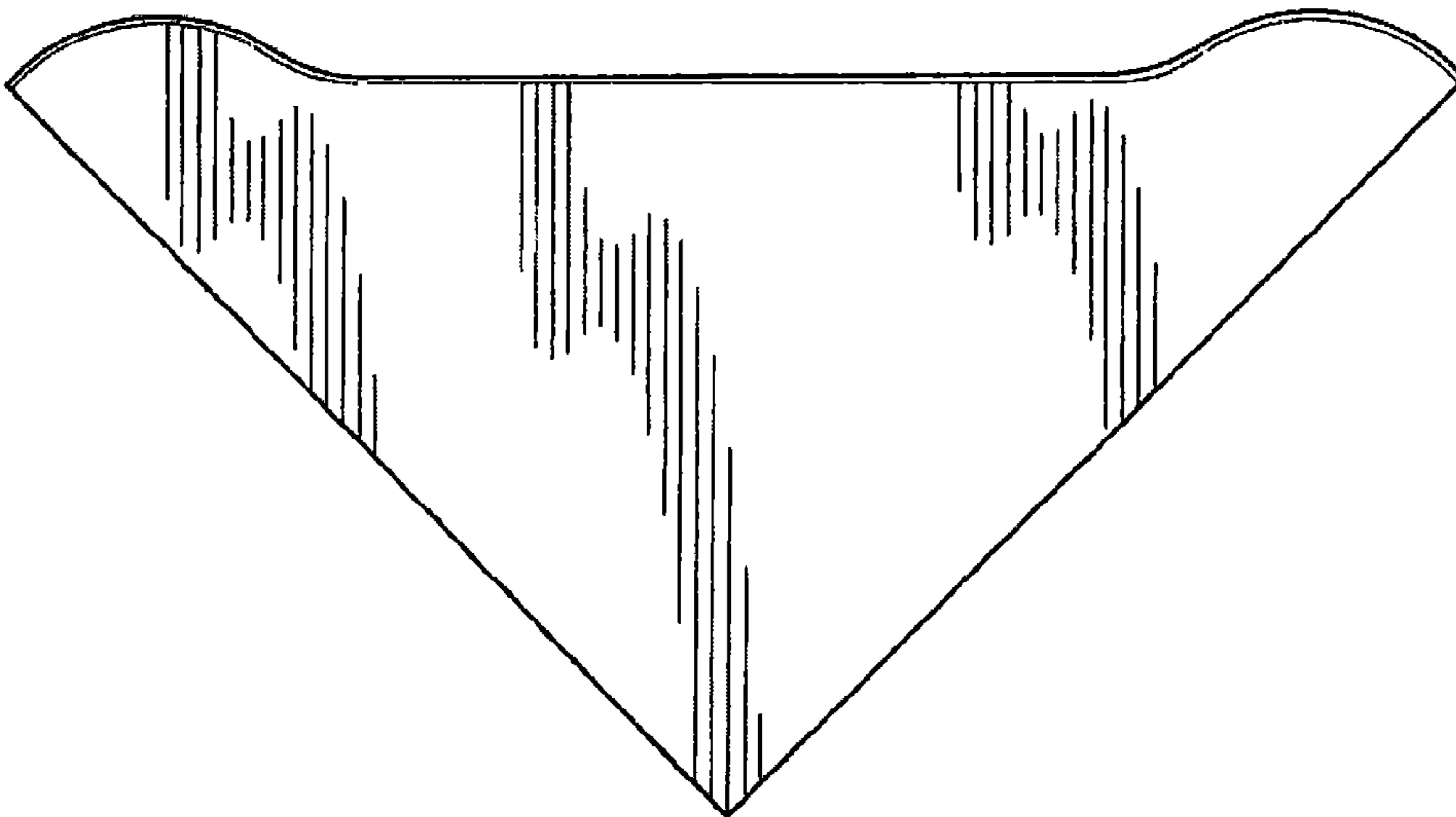


Fig. 6



Fig. 7