



US00D603637S

(12) **United States Design Patent**  
**Anderson et al.**

(10) **Patent No.:** **US D603,637 S**

(45) **Date of Patent:** **\*\* Nov. 10, 2009**

(54) **RACK FOR EXERCISE EQUIPMENT**

(75) Inventors: **Keith Anderson**, Rosemead, CA (US);  
**Karl Anderson**, Rosemead, CA (US);  
**Thomas W. Grace**, Vancouver, WA (US)

(73) Assignees: **Ace Specialty, Inc.**, Rosemead, CA (US); **Grace Premier Fitness & Wellness Products, Inc.**, Vancouver, WA (US)

(\*\*) Term: **14 Years**

(21) Appl. No.: **29/281,169**

(22) Filed: **Jun. 15, 2007**

(51) **LOC (9) Cl.** ..... **08-08**

(52) **U.S. Cl.** ..... **D6/552**

(58) **Field of Classification Search** ..... D6/552;  
D21/662, 686, 691; 482/104, 148; 248/339;  
211/13.2, 85

See application file for complete search history.

(56) **References Cited**

**U.S. PATENT DOCUMENTS**

D499,921 S \* 12/2004 Moon et al. .... D6/552  
D555,961 S \* 11/2007 Lien et al. .... D6/552  
D560,089 S \* 1/2008 DeMeyer ..... D6/552

D563,135 S \* 3/2008 Lien ..... D6/552  
D565,132 S \* 3/2008 Lien et al. .... D6/552  
D565,673 S \* 4/2008 Lien et al. .... D6/552  
D577,234 S \* 9/2008 Webber et al. .... D6/552

\* cited by examiner

*Primary Examiner*—Brian N Vinson

(74) *Attorney, Agent, or Firm*—Seldon & Scillieri

(57) **CLAIM**

The ornamental design for a rack for exercise equipment, as shown and described.

**DESCRIPTION**

FIG. 1 is a front elevational view of a rack for exercise equipment showing our new design;

FIG. 2 is a right side elevational view thereof, the left side being a mirror image of that shown;

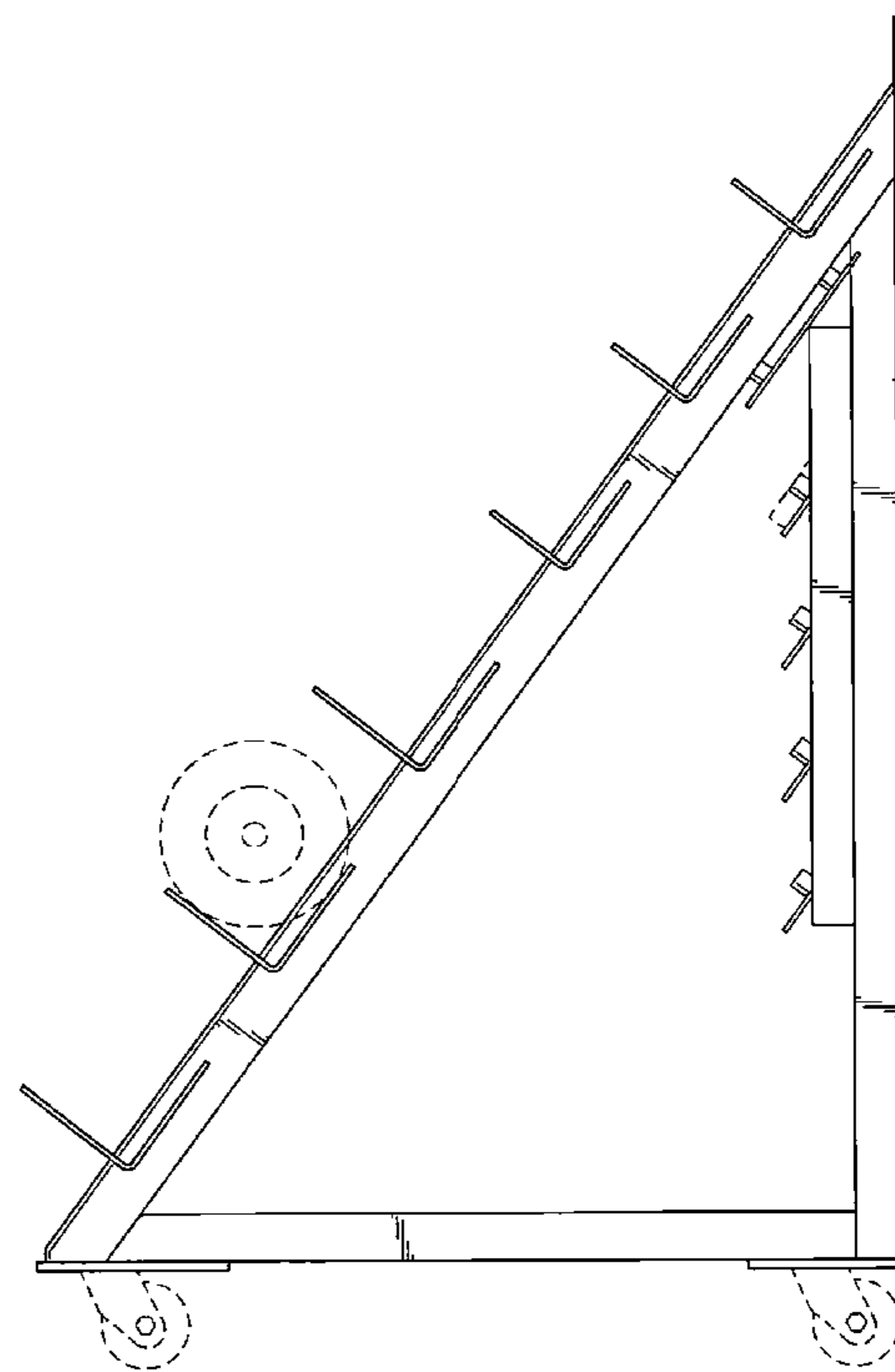
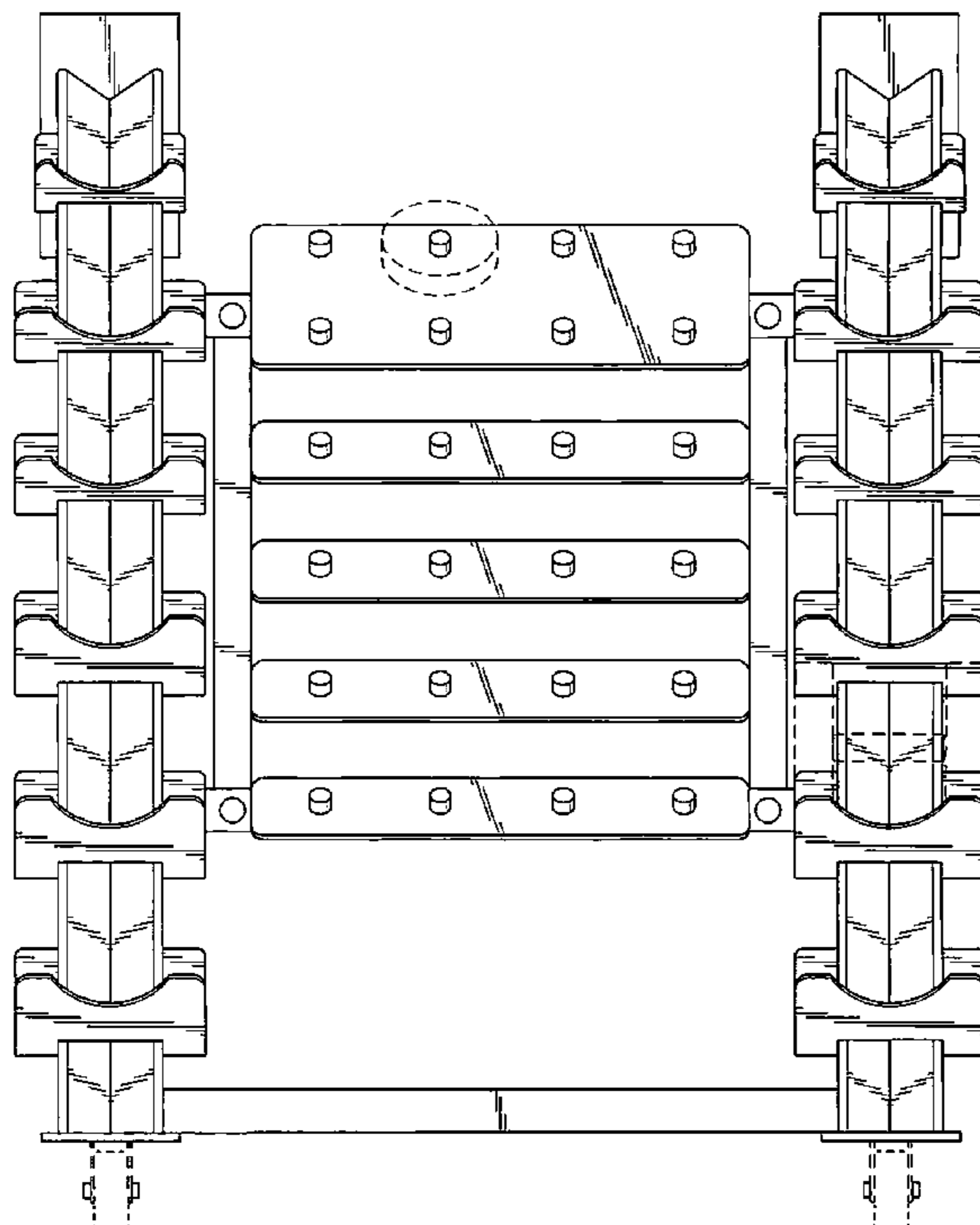
FIG. 3 is a rear elevational view thereof;

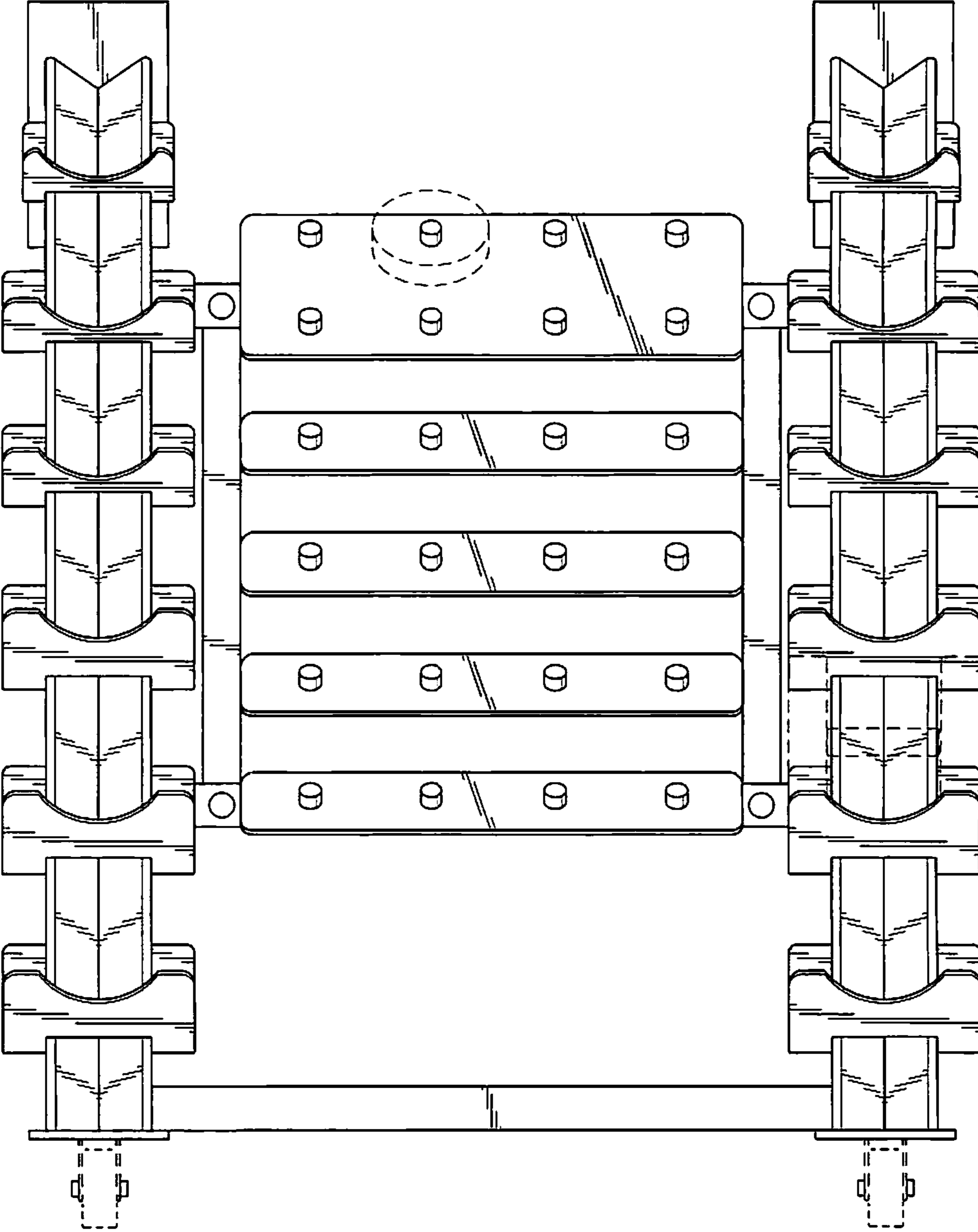
FIG. 4 is a top plan view thereof; and,

FIG. 5 is a bottom plan view thereof.

The broken-line disclosure of wheel assemblies and weight plates in the views are for illustrative purposes only and form no part of the claimed design.

**1 Claim, 5 Drawing Sheets**





*FIG. 1*

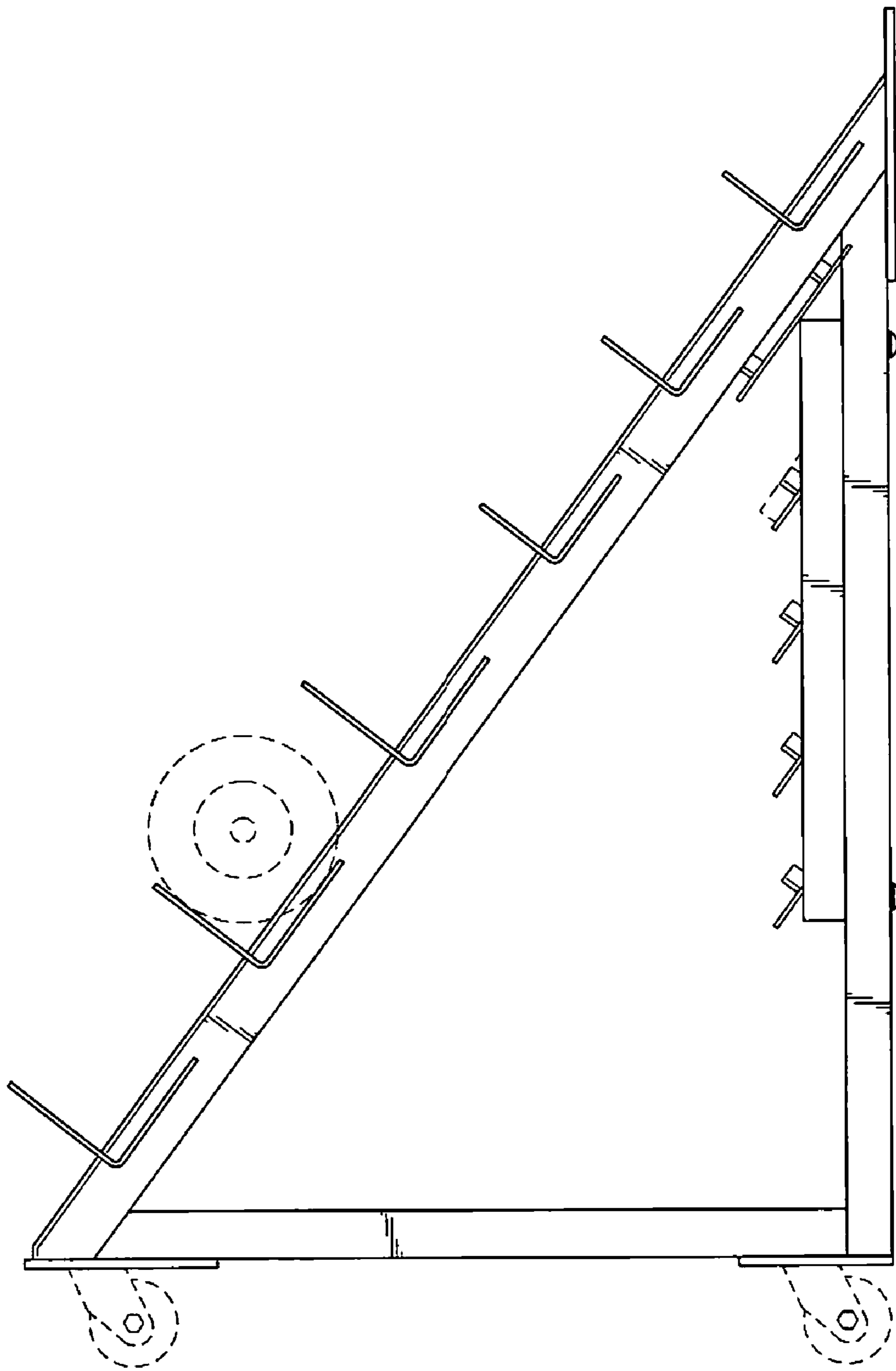


FIG. 2

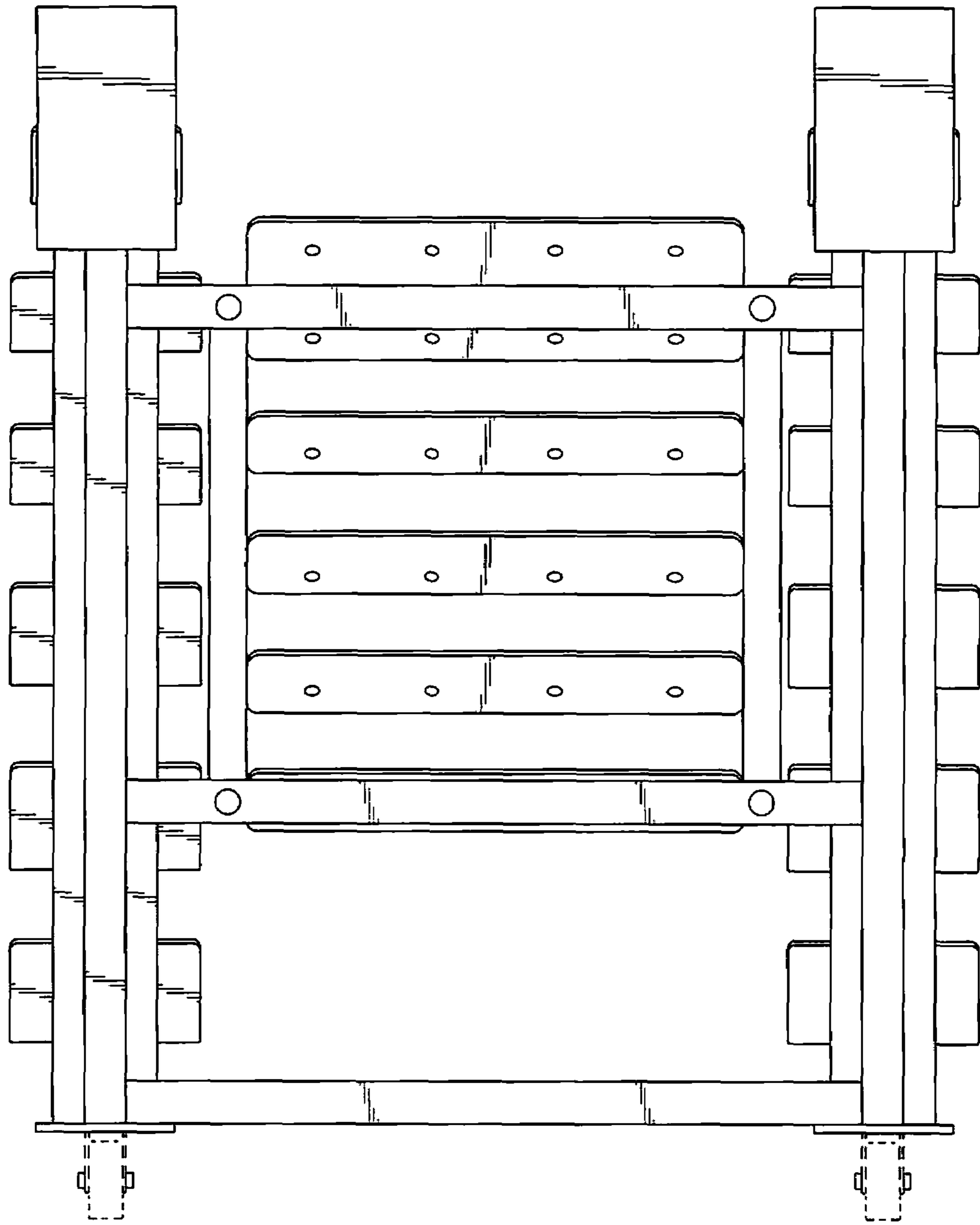
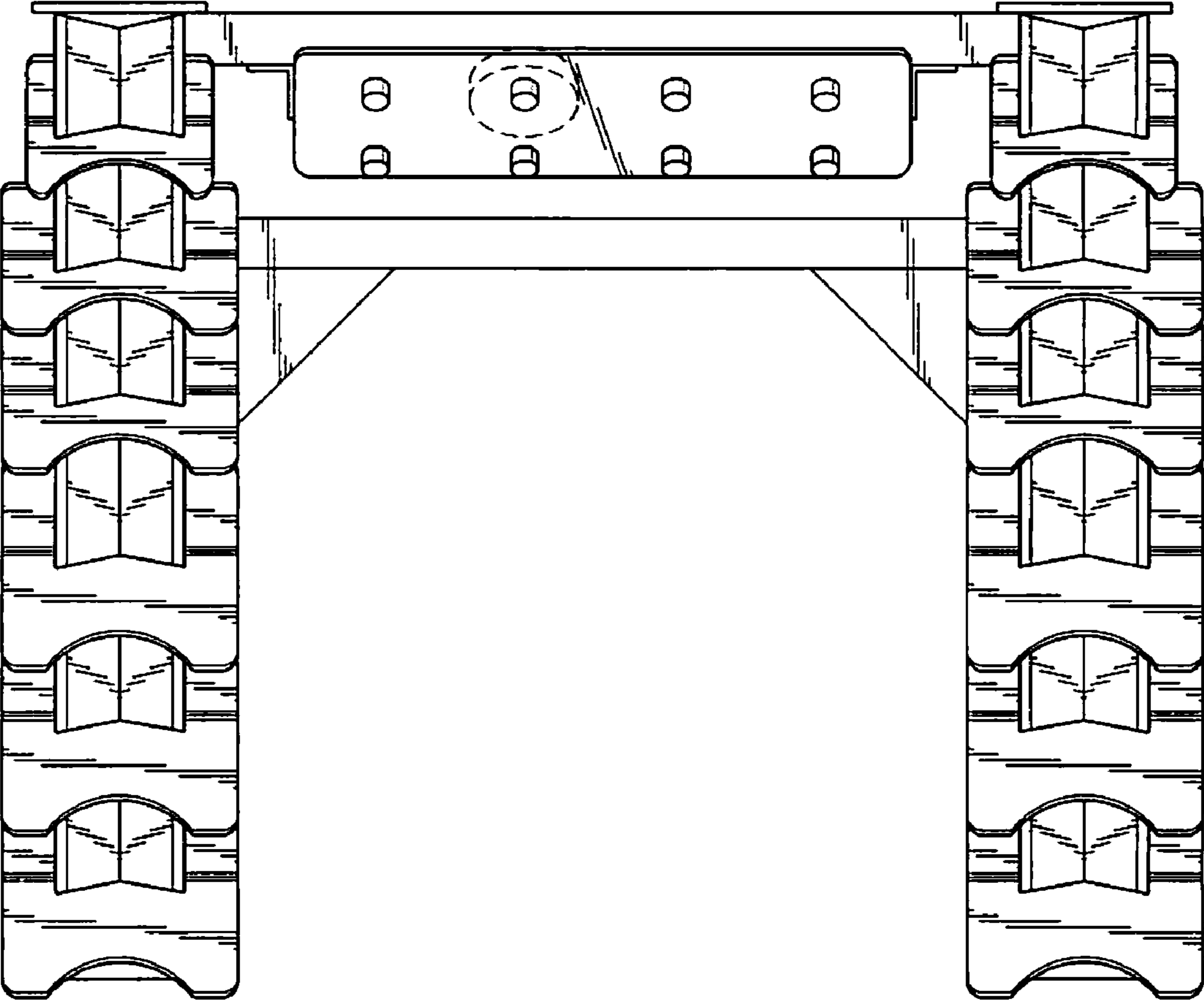
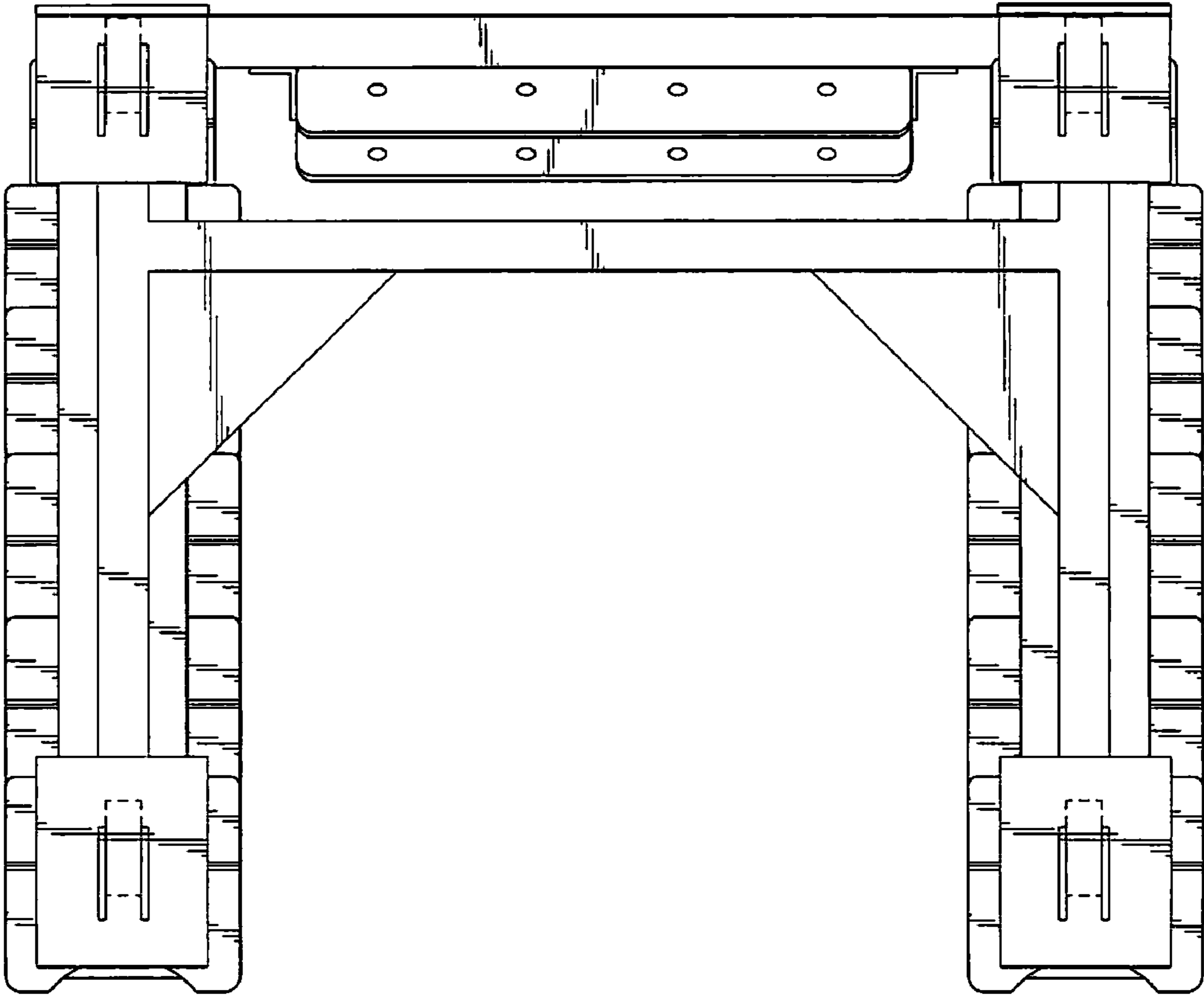


FIG. 3



*FIG. 4*



*FIG. 5*