



US00D603635S

(12) **United States Design Patent**  
**Krebs**

(10) **Patent No.:** **US D603,635 S**

(45) **Date of Patent:** **\*\* Nov. 10, 2009**

(54) **CLEANING PAPER DISPENSER**

D595,075 S \* 6/2009 Ramos Peon ..... D6/518

(76) Inventor: **Mark Krebs**, 3814 Lochside La., Fort  
Collins, CO (US) 80524

\* cited by examiner

*Primary Examiner*—Brian N Vinson

(74) *Attorney, Agent, or Firm*—Richard L. Mikesell

(\*\*) Term: **14 Years**

(21) Appl. No.: **29/312,820**

(57) **CLAIM**

(22) Filed: **Nov. 17, 2008**

The ornamental design for a cleaning paper dispenser, as shown and described.

(51) **LOC (9) Cl.** ..... **20-02**

(52) **U.S. Cl.** ..... **D6/518**

(58) **Field of Classification Search** ..... D6/515–523;  
206/225, 233, 389, 391; 211/13.1; 222/173,  
222/180; 221/26, 33, 282–283; 242/270,  
242/590; 248/309.1, 309.2, 905

See application file for complete search history.

**DESCRIPTION**

FIG. 1 is a top, front, and right side perspective view of a cleaning paper dispenser showing my new design;

FIG. 2 is a top plan view thereof;

FIG. 3 is a front elevational view thereof;

FIG. 4 is a rear elevational view thereof;

FIG. 5 is a right side elevational view thereof; and,

FIG. 6 is a vertical cross-sectional view thereof, taken along line 6—6 of FIG. 3.

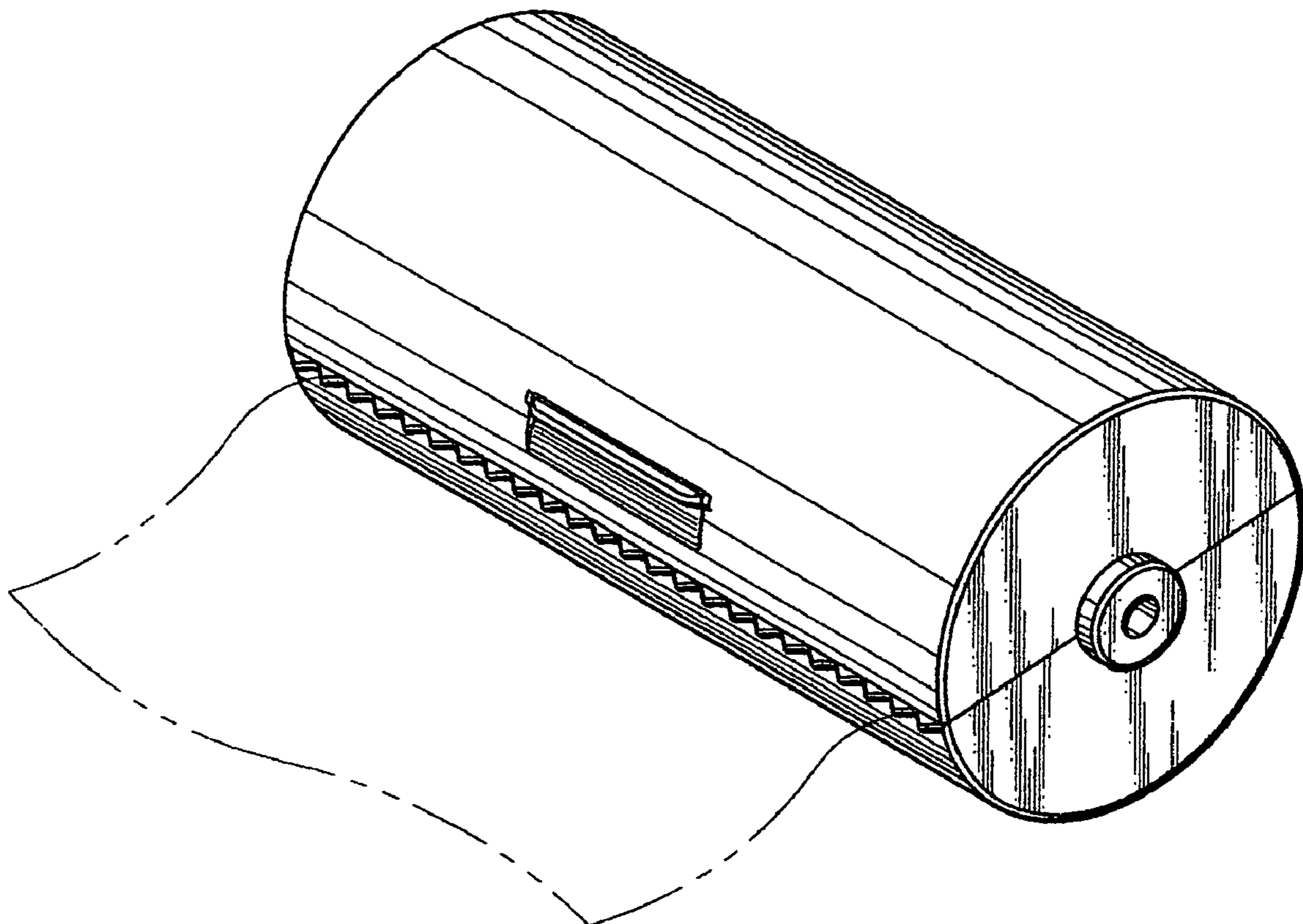
The broken-line disclosure of cleaning paper is shown for illustrative purposes only and forms no part of the claimed design.

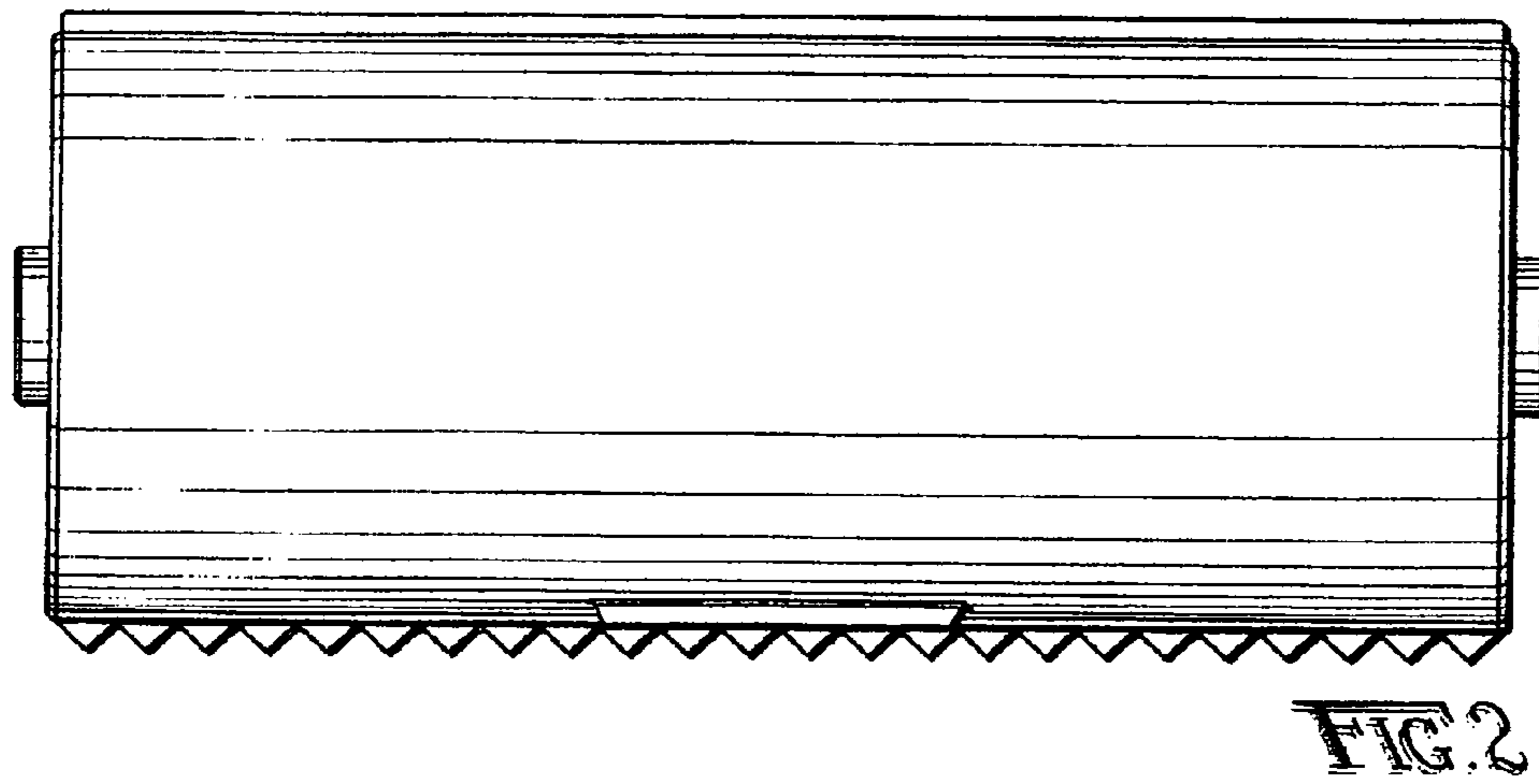
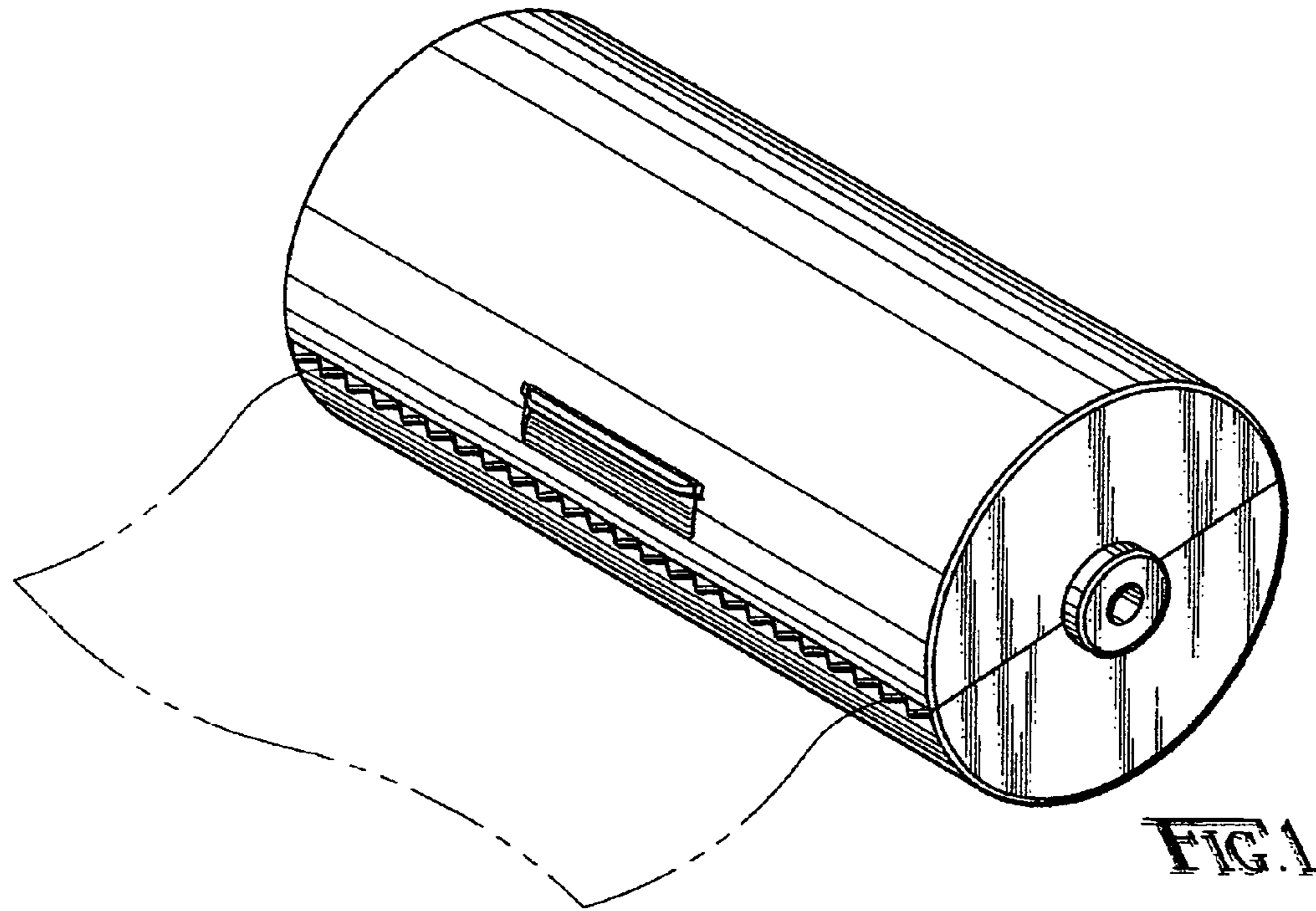
(56) **References Cited**

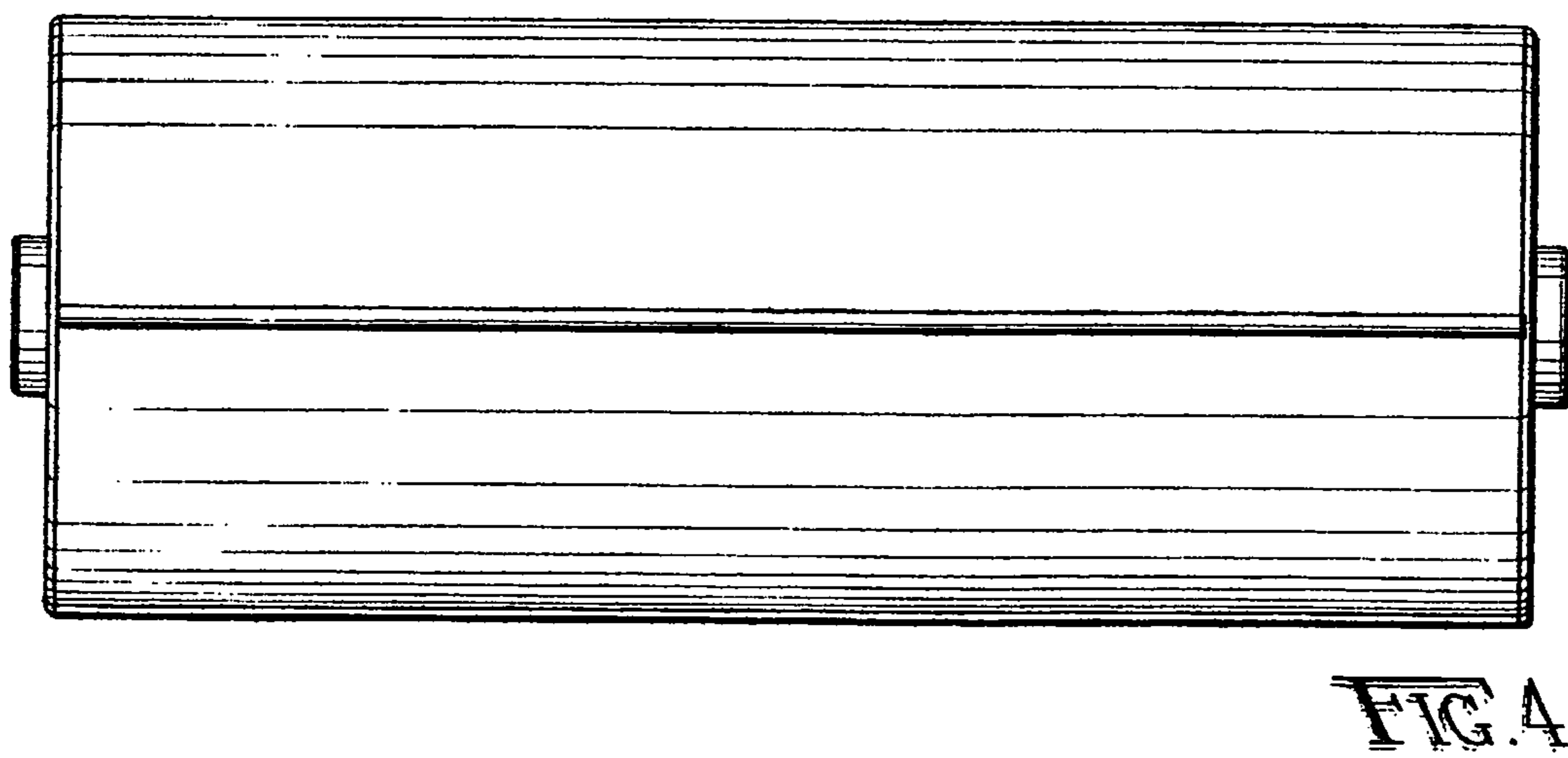
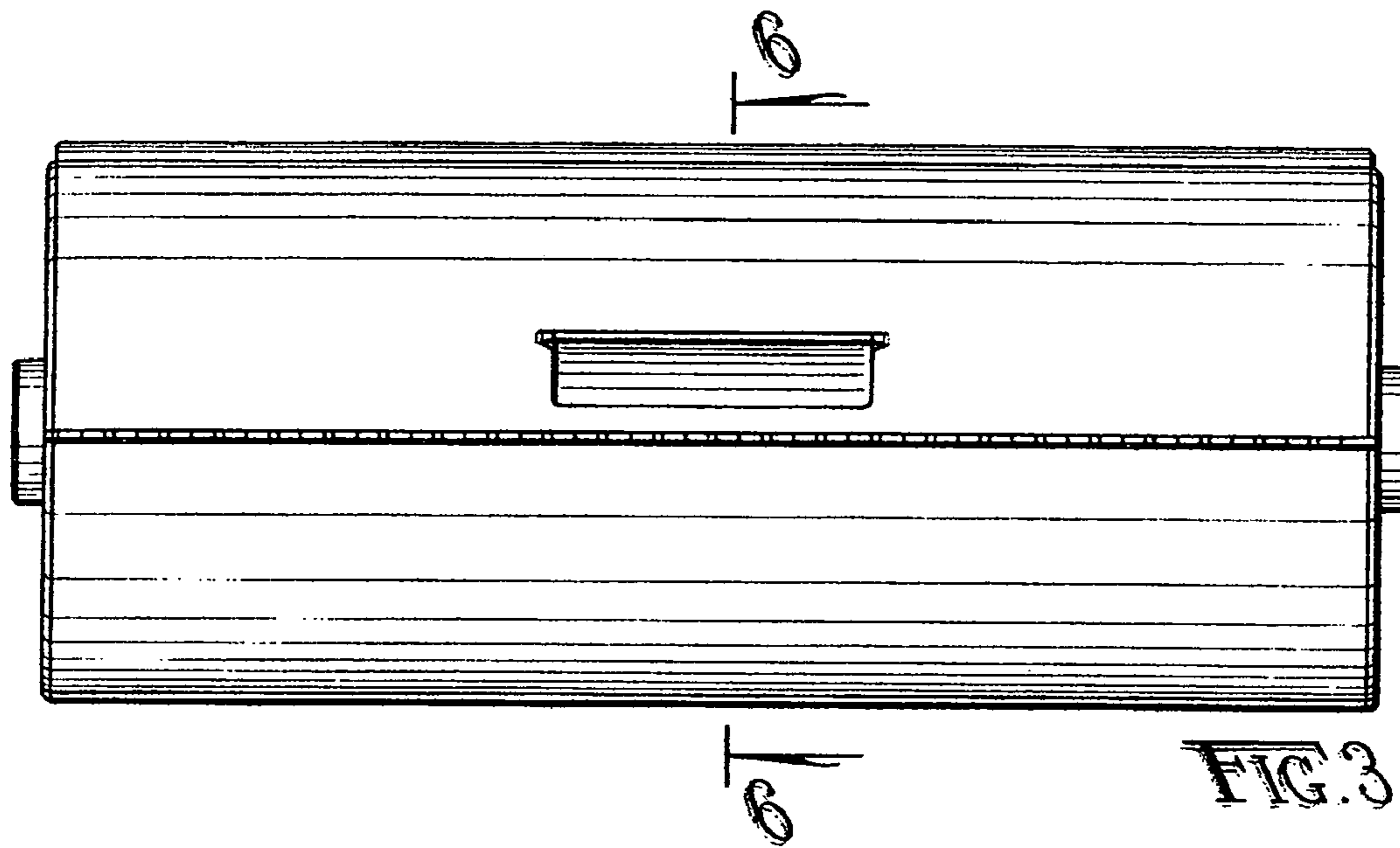
U.S. PATENT DOCUMENTS

1,833,999	A *	12/1931	McCaskey	.....	D6/518
2,253,744	A *	8/1941	Witt	.....	D6/518
D185,052	S *	4/1959	Warp	.....	D6/518
D480,901	S *	10/2003	Millington	.....	D6/518
D522,782	S *	6/2006	Benedetti et al.	.....	D6/518
D569,667	S *	5/2008	Ovelar	.....	D6/518
D571,135	S *	6/2008	Collado	.....	D6/518

**1 Claim, 3 Drawing Sheets**







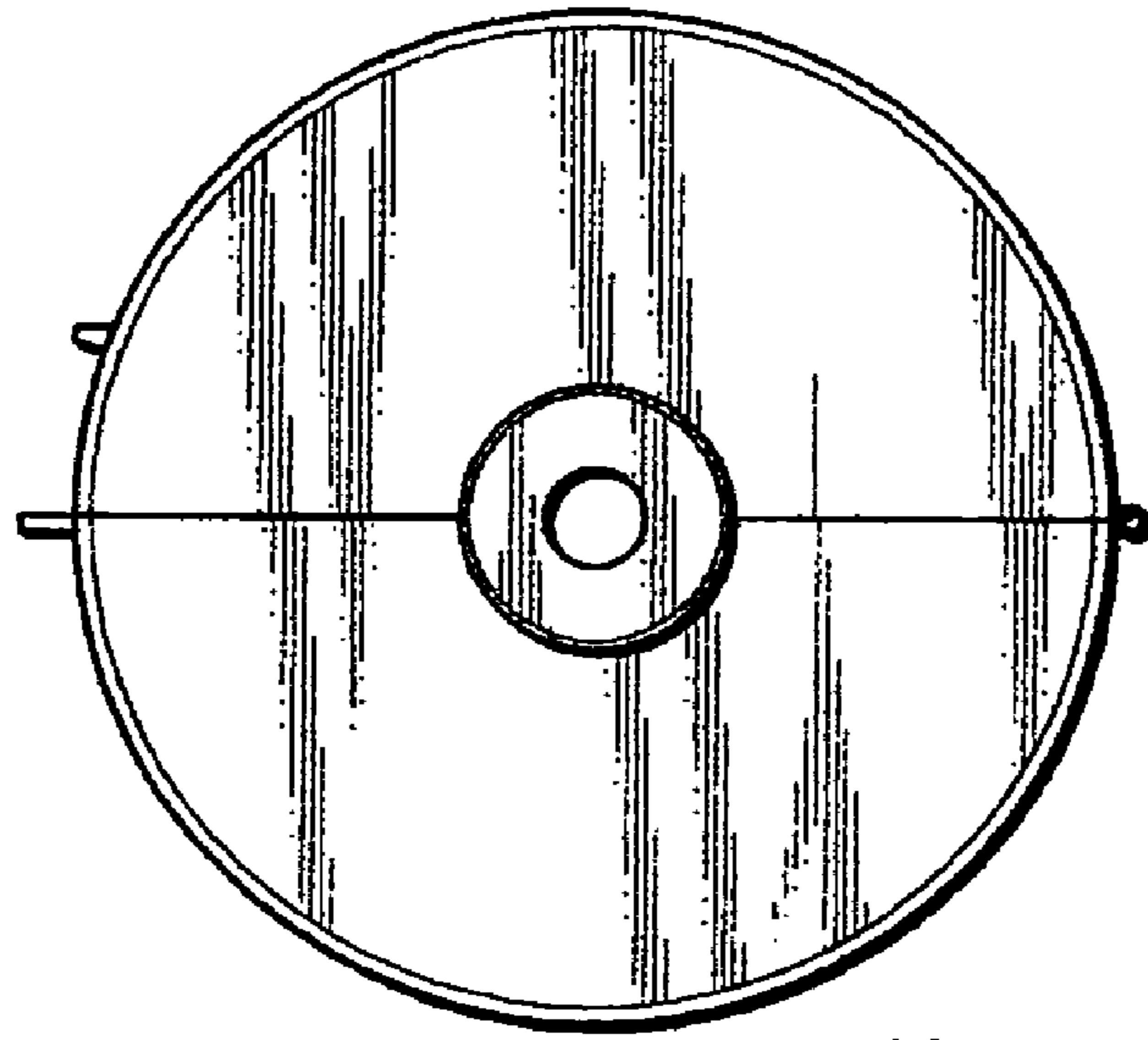


FIG. 5

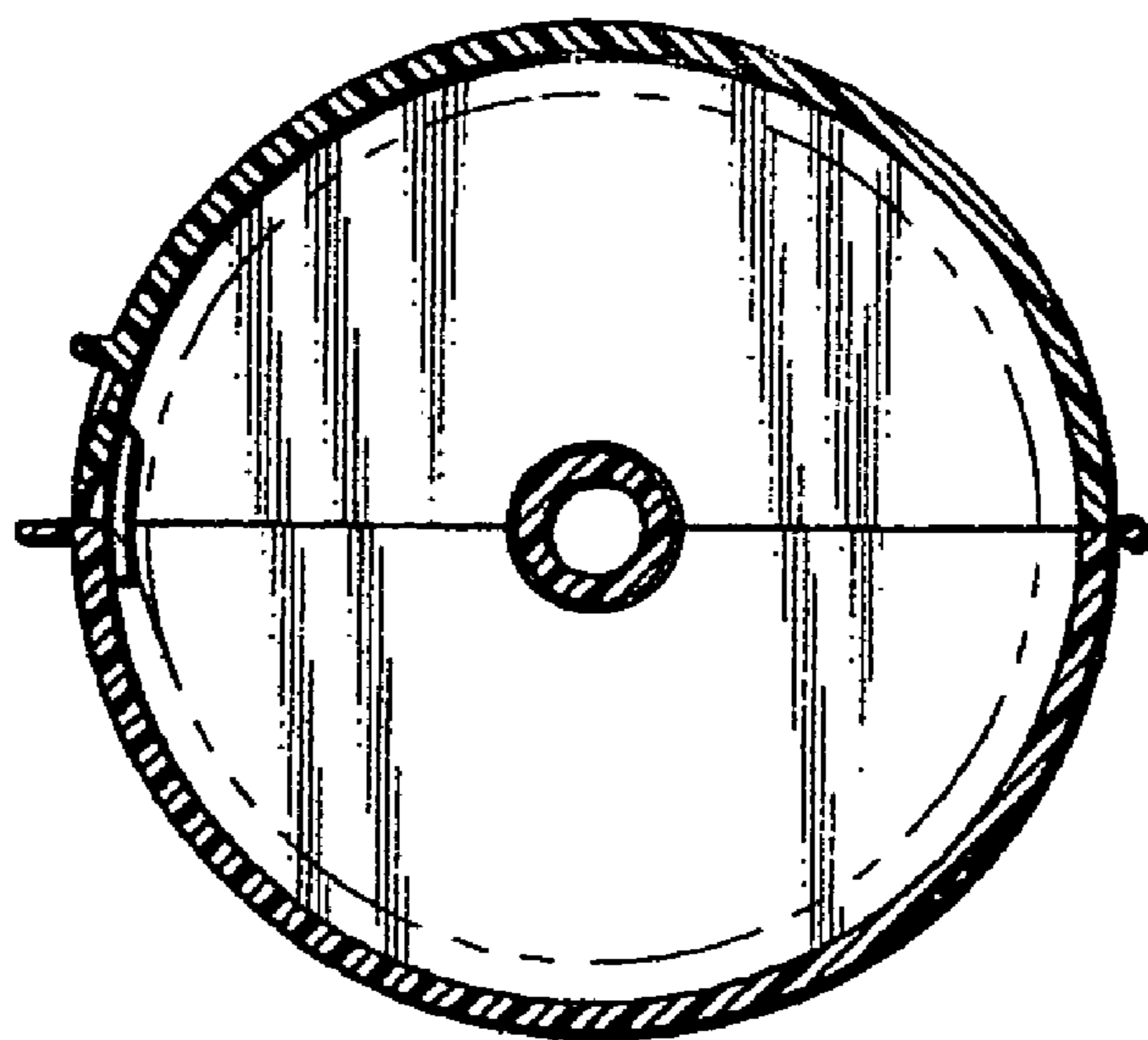


FIG. 6