



US00D603634S

(12) **United States Design Patent**  
**Rotolo**

(10) **Patent No.:** **US D603,634 S**

(45) **Date of Patent:** **\*\* Nov. 10, 2009**

(54) **REMOVABLE DISPLAY RACK**

(75) Inventor: **Michael S. Rotolo**, Massillon, OH (US)

(73) Assignee: **E-B Display Company, Inc.**, Massillon, OH (US)

(\*\*) Term: **14 Years**

(21) Appl. No.: **29/312,264**

(22) Filed: **Oct. 9, 2008**

(51) **LOC (9) Cl.** ..... **06-06**

(52) **U.S. Cl.** ..... **D6/511**

(58) **Field of Classification Search** ..... D6/389,  
D6/393, 419-420, 429-448, 470-472, 477-479,  
D6/480-489, 505, 509-511, 555, 574; D14/447,  
D14/457; D19/35; 108/157.11, 157.13;  
297/135, 145, 161, 188.2; 312/208.1, 223.3  
See application file for complete search history.

(56) **References Cited**

**U.S. PATENT DOCUMENTS**

- D286,833 S \* 11/1986 Cervero ..... D6/429
- D318,487 S \* 7/1991 Kennedy ..... D19/35
- D330,892 S \* 11/1992 Hassel et al. .... D14/457
- D333,300 S \* 2/1993 Hatcher ..... D14/447

- D362,985 S \* 10/1995 Hatcher ..... D6/510
- 5,595,428 A \* 1/1997 Huang ..... 312/223.3
- 6,036,288 A \* 3/2000 Shih ..... 312/223.3
- D428,742 S \* 8/2000 Roberts ..... D6/511

\* cited by examiner

*Primary Examiner*—Caron Veynar

*Assistant Examiner*—Ricky Pham

(74) *Attorney, Agent, or Firm*—Sand & Sebolt

(57) **CLAIM**

The ornamental design for the removable display rack, as shown and described.

**DESCRIPTION**

FIG. 1 is a perspective view of the removable display rack showing the new design;

FIG. 2 is a top plan view thereof;

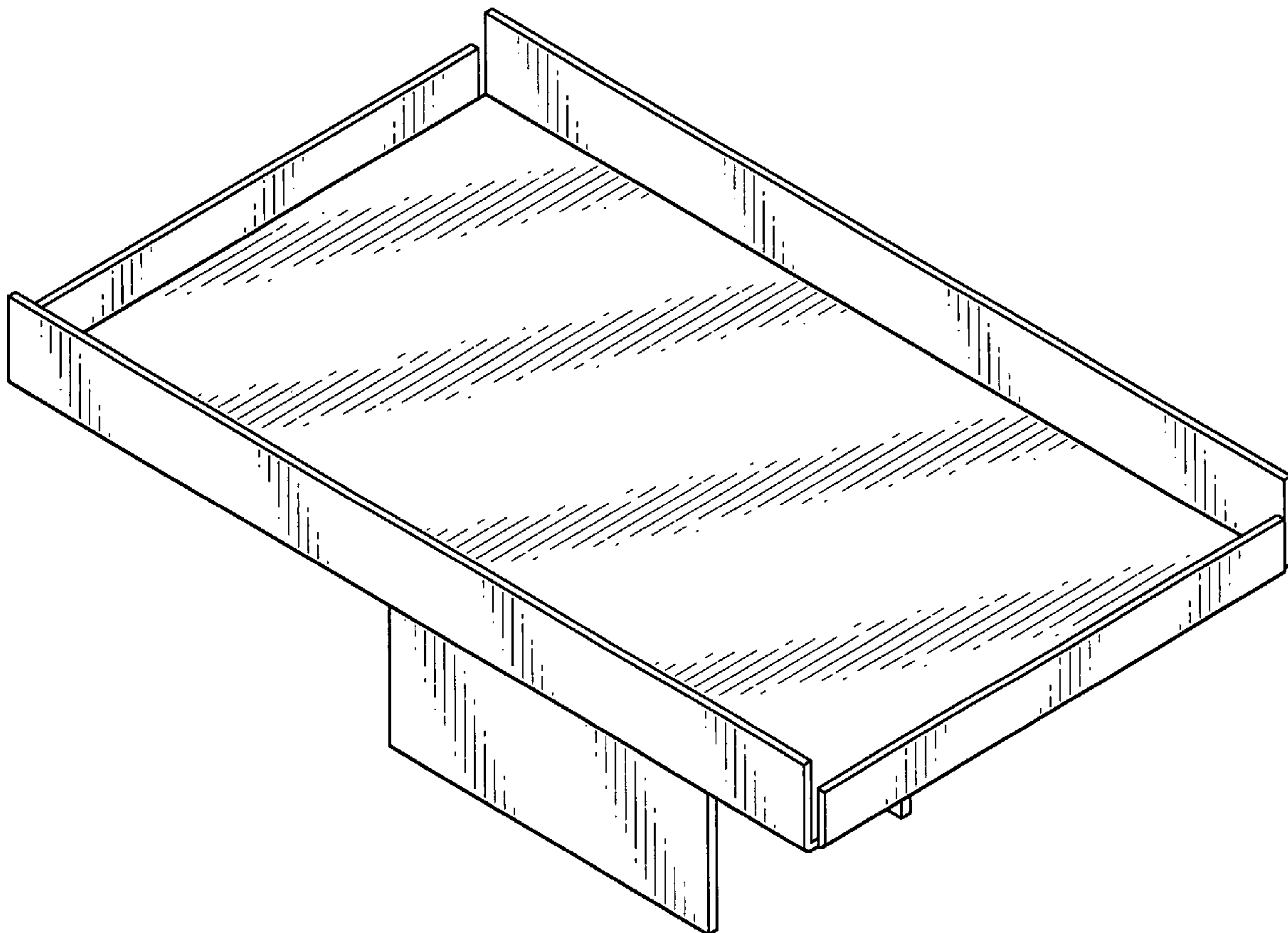
FIG. 3 is a bottom plan view thereof;

FIG. 4 is a side elevational view thereof, the opposite side view being a mirror image thereof;

FIG. 5 is a front side elevational view thereof; and,

FIG. 6 is a rear side elevational view thereof.

**1 Claim, 3 Drawing Sheets**



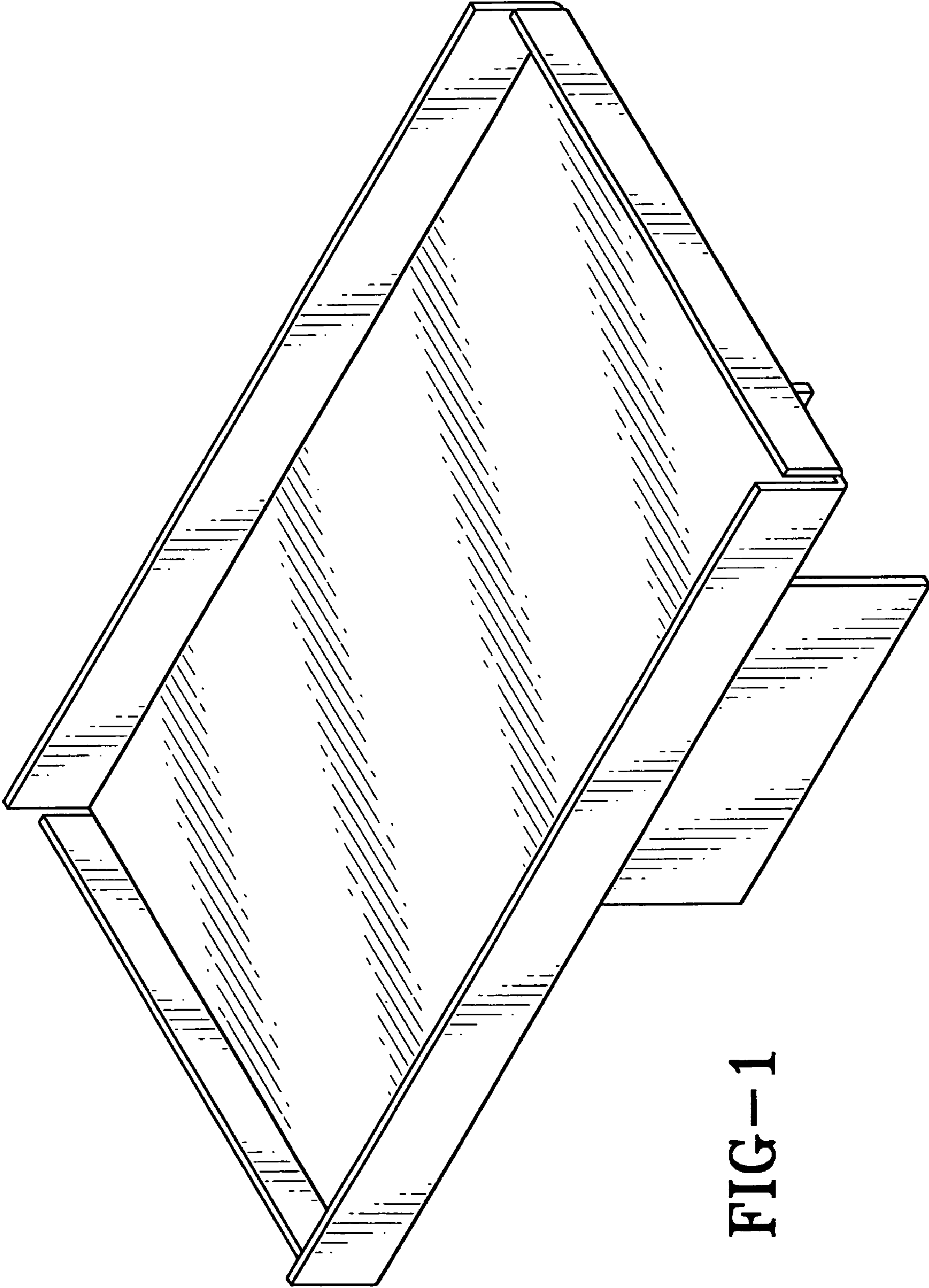


FIG-1

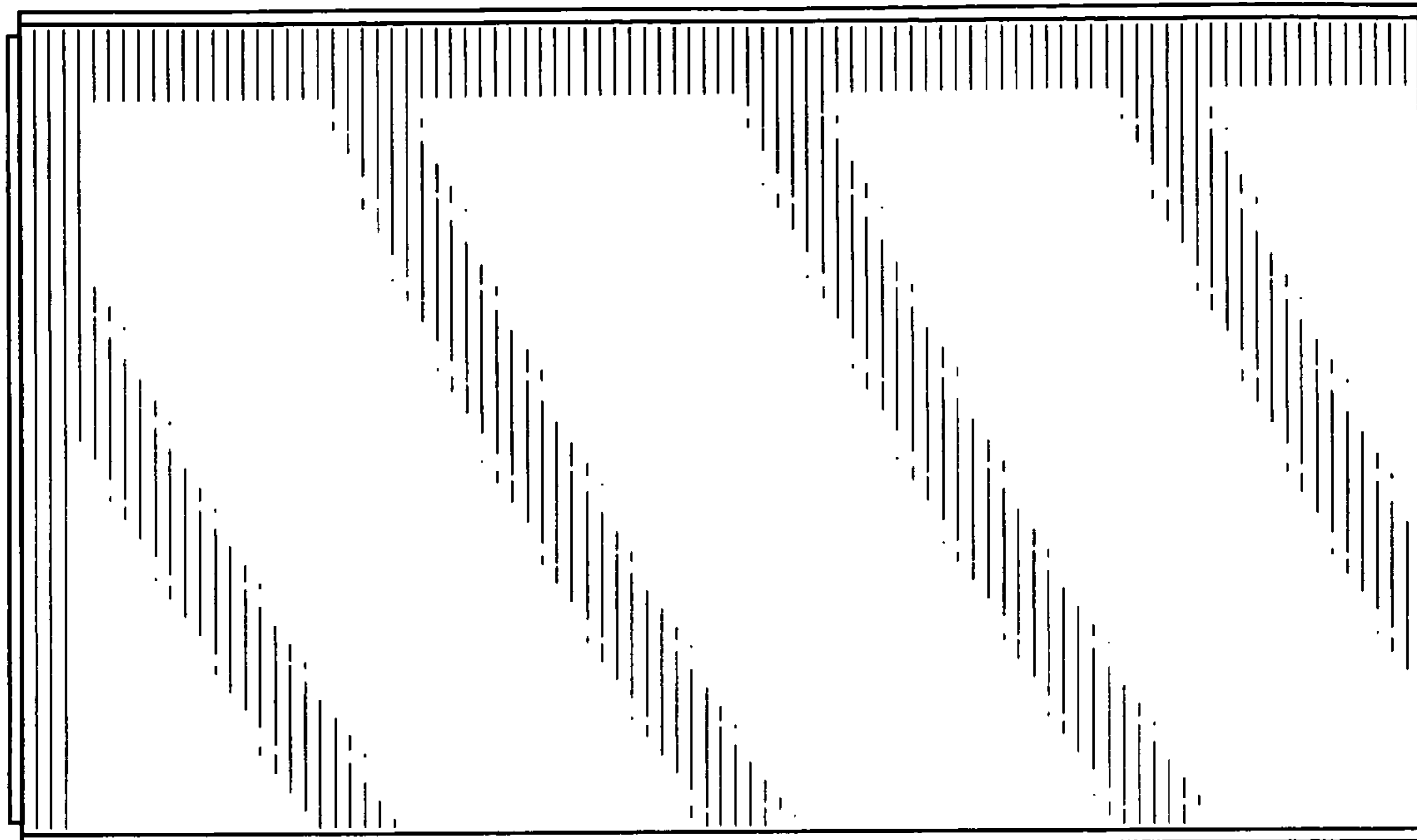


FIG-2

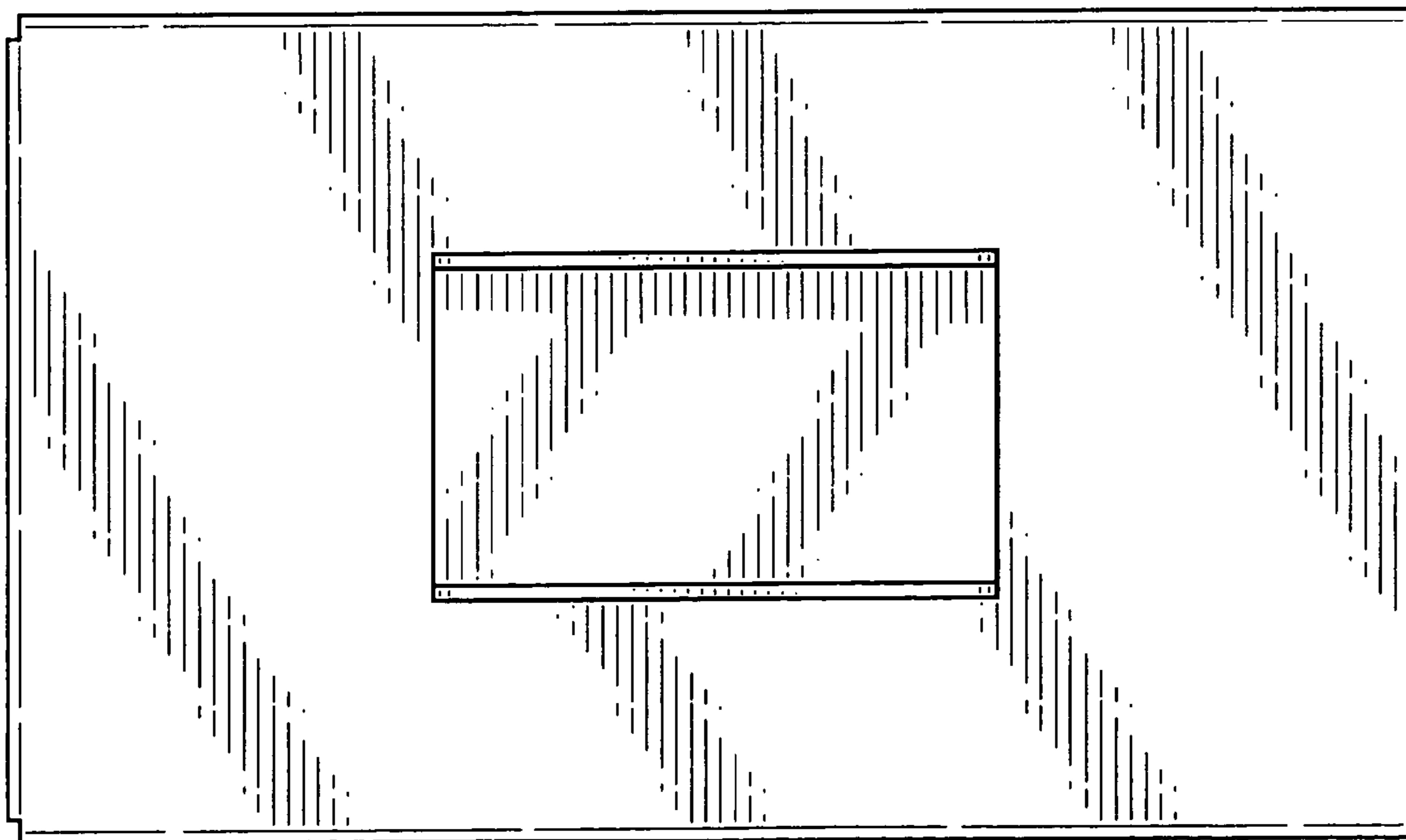


FIG-3

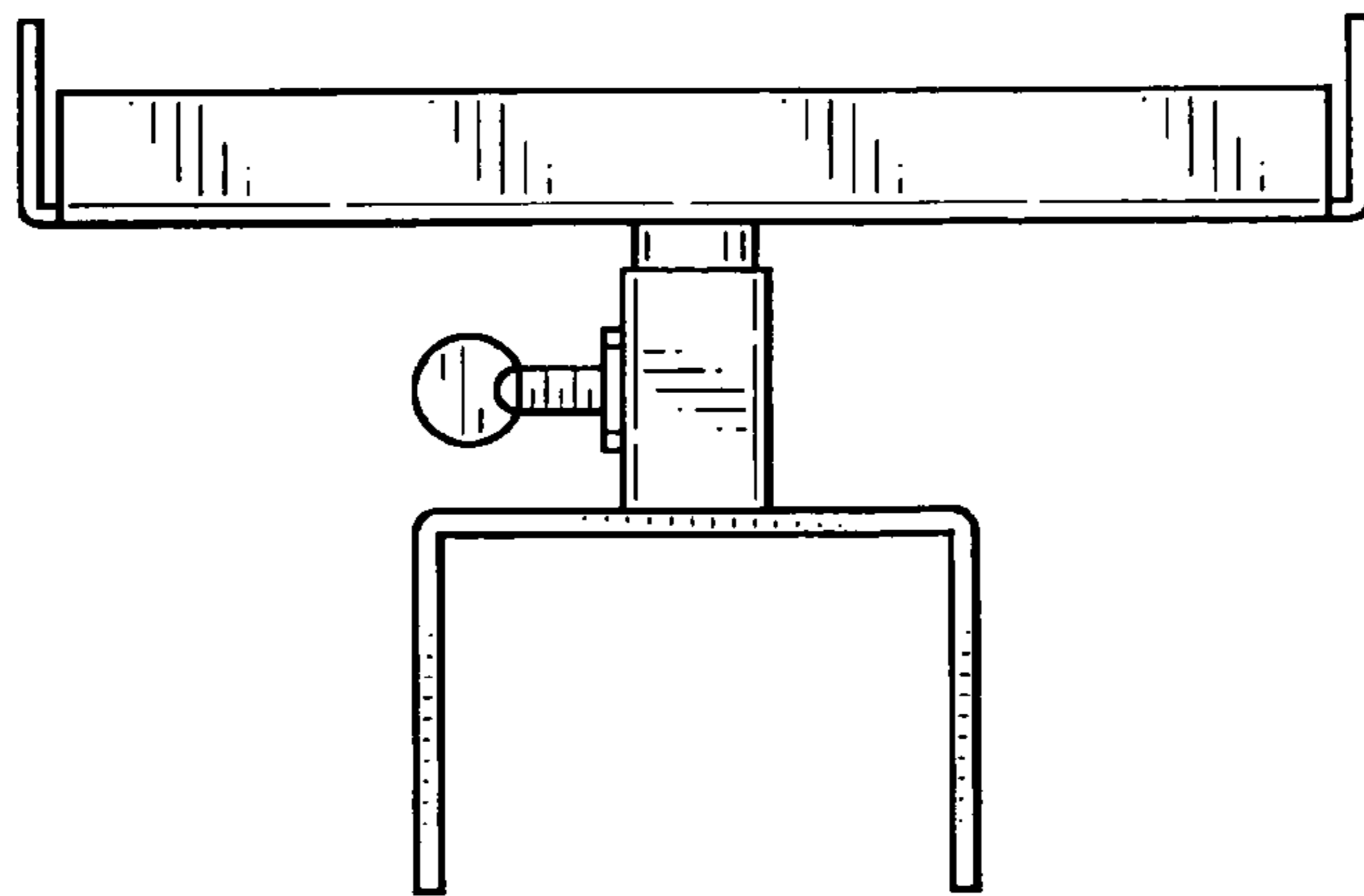


FIG-4

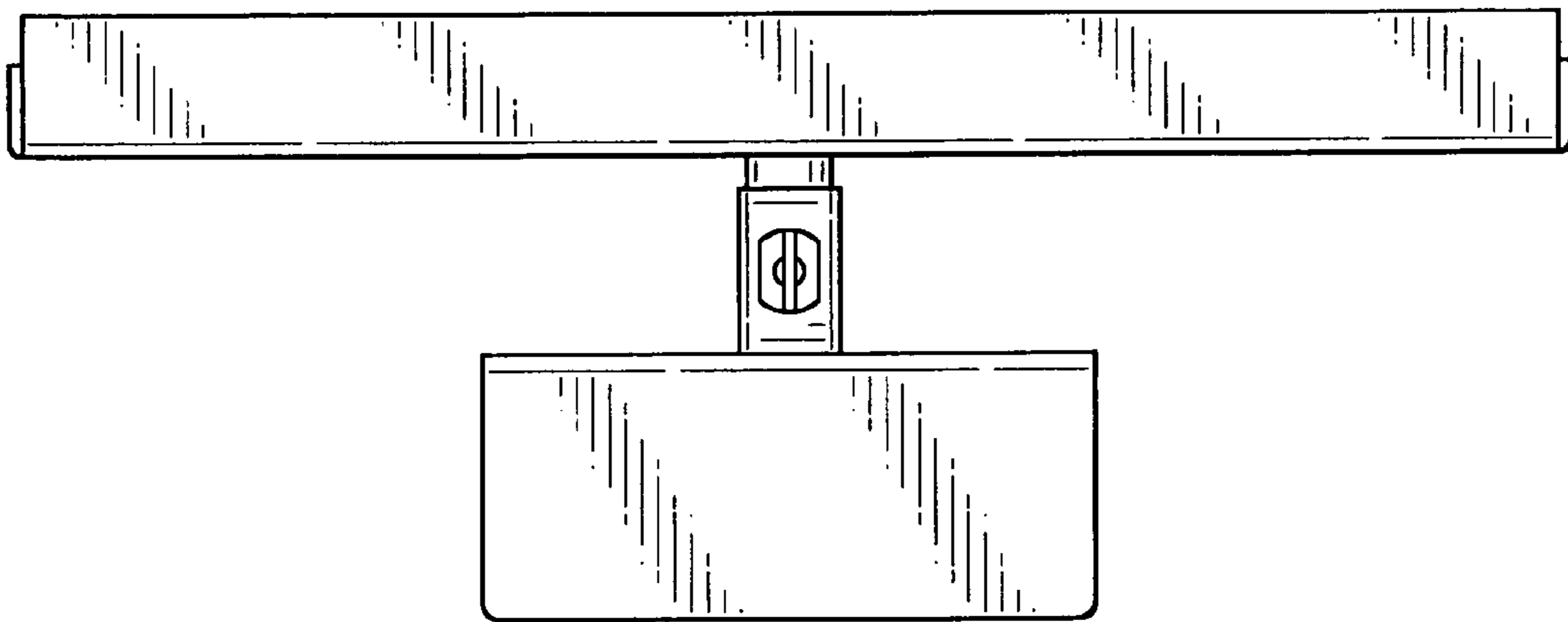


FIG-5

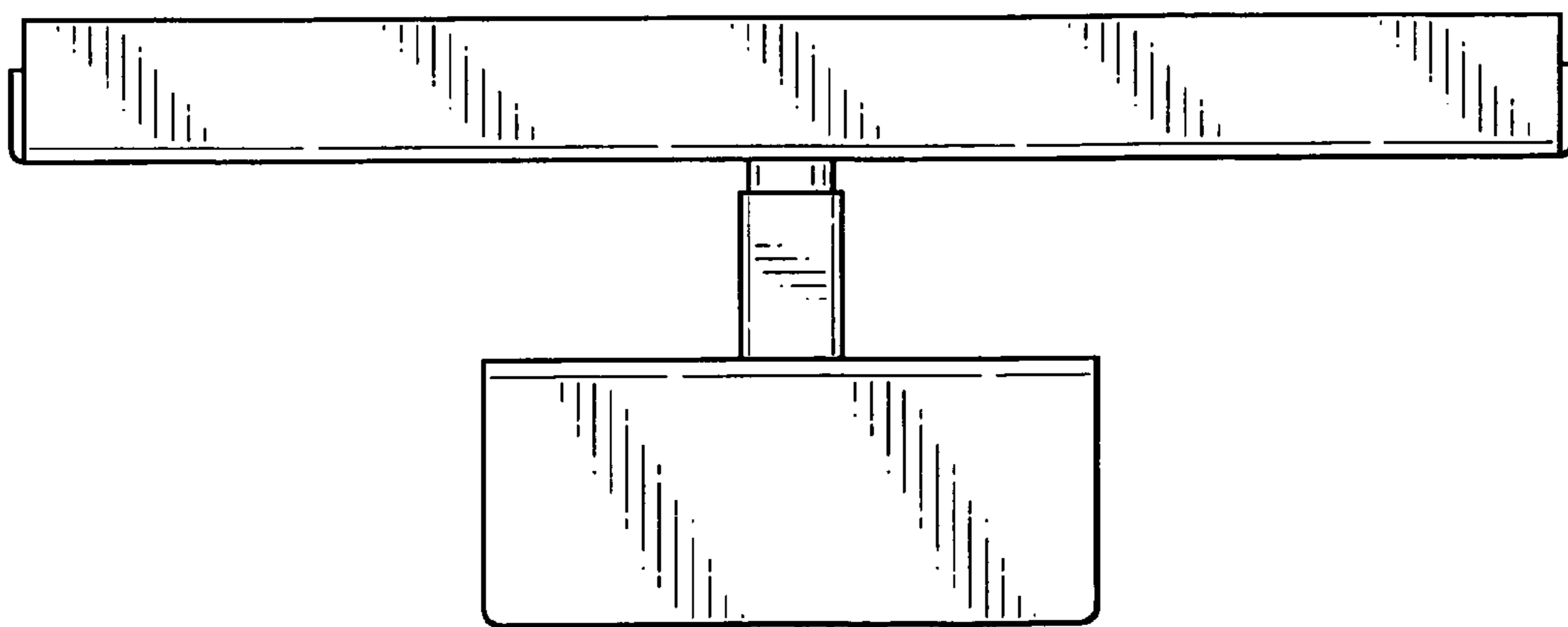


FIG-6