



US00D603633S

(12) **United States Design Patent**  
**Davis**

(10) **Patent No.:** **US D603,633 S**  
(45) **Date of Patent:** **\*\* Nov. 10, 2009**

(54) **BUCKET TABLE**

(75) Inventor: **Edgar Davis**, Surrey (CA)

(73) Assignee: **Animal Marketing Inc.**, Surrey, British Columbia (CA)

(\*\*) Term: **14 Years**

(21) Appl. No.: **29/194,829**

(22) Filed: **Dec. 3, 2003**

(51) **LOC (9) Cl.** ..... **06-06**

(52) **U.S. Cl.** ..... **D6/511; D6/397**

(58) **Field of Classification Search** ..... D6/480-489,  
D6/429-431, 511, 397; 108/153.1, 155,  
108/156, 161, 24-26, 50.12; D7/603  
See application file for complete search history.

(56) **References Cited**

**U.S. PATENT DOCUMENTS**

2,094,915 A \* 10/1937 Dawson ..... 126/25 R  
D439,446 S \* 3/2001 Harrison ..... D6/480  
6,321,662 B1 \* 11/2001 Fraise ..... 108/25

D530,156 S \* 10/2006 Moore ..... D7/603  
7,124,694 B2 \* 10/2006 Li ..... 108/50.12  
2006/0075935 A1 \* 4/2006 Li ..... 108/50.12  
2007/0012223 A1 \* 1/2007 Flusche ..... 108/26

\* cited by examiner

*Primary Examiner*—Janice E Seeger

(74) *Attorney, Agent, or Firm*—Jeffer Mangels Butler & Marmaro LLP

(57) **CLAIM**

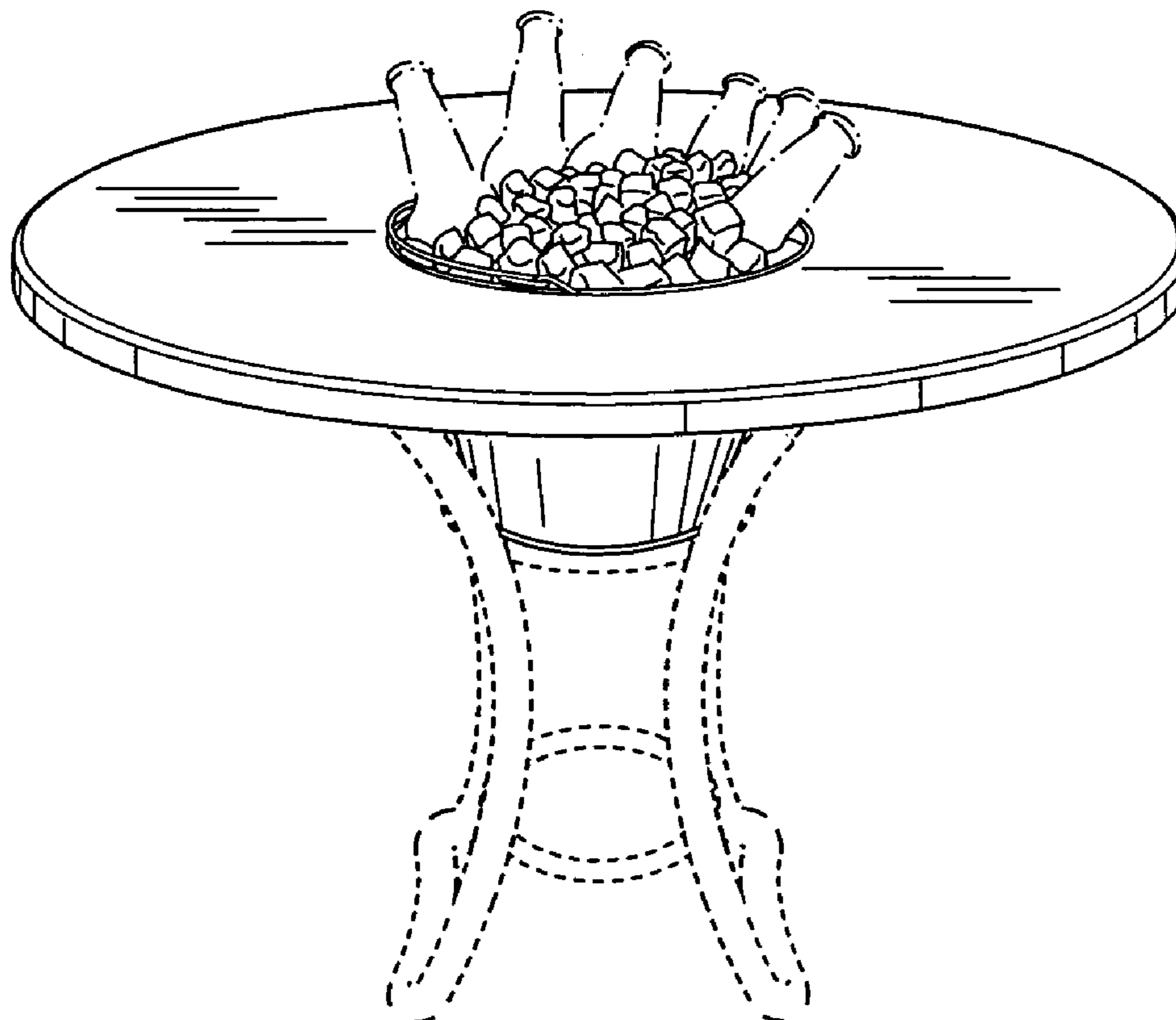
The ornamental design for a bucket table, as shown and described.

**DESCRIPTION**

FIG. 1 is a perspective view of the bucket table;  
FIG. 2 is a plan view from the top of the table; and,  
FIG. 3 is side elevation view of the table.

The broken lines showing the table legs and bottles are for environmental purposes only and form no part of the claimed design.

**1 Claim, 2 Drawing Sheets**



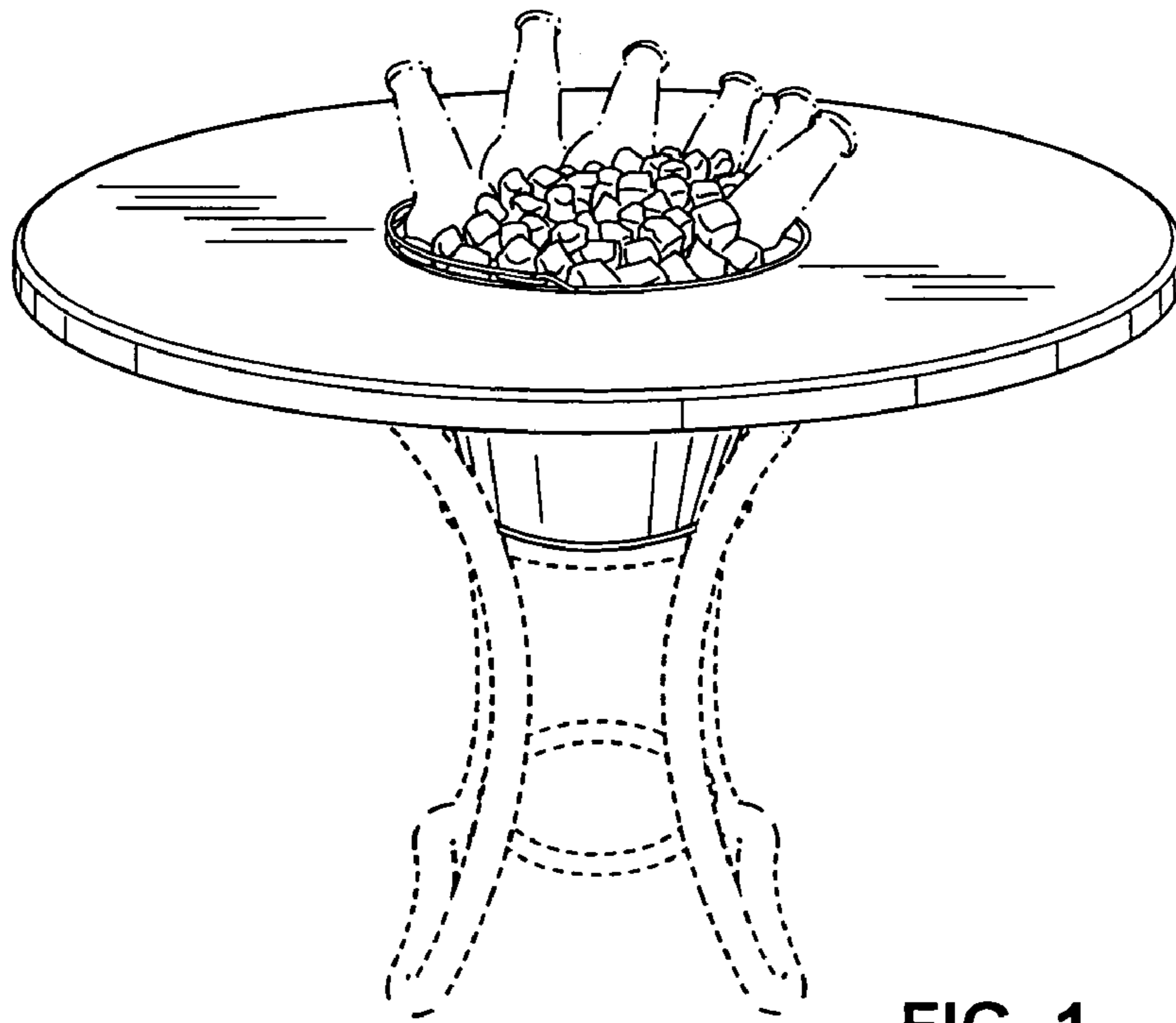


FIG. 1

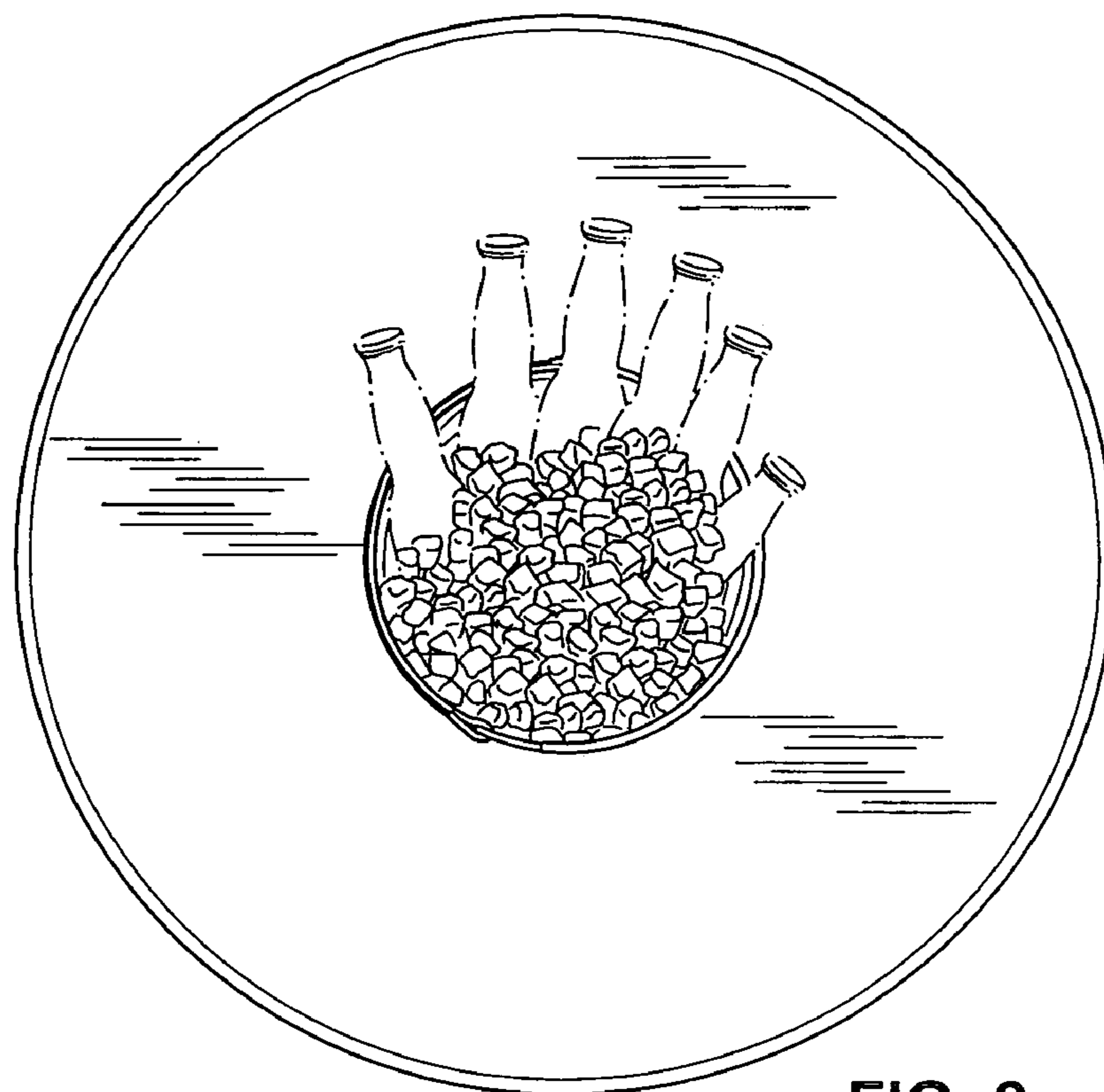
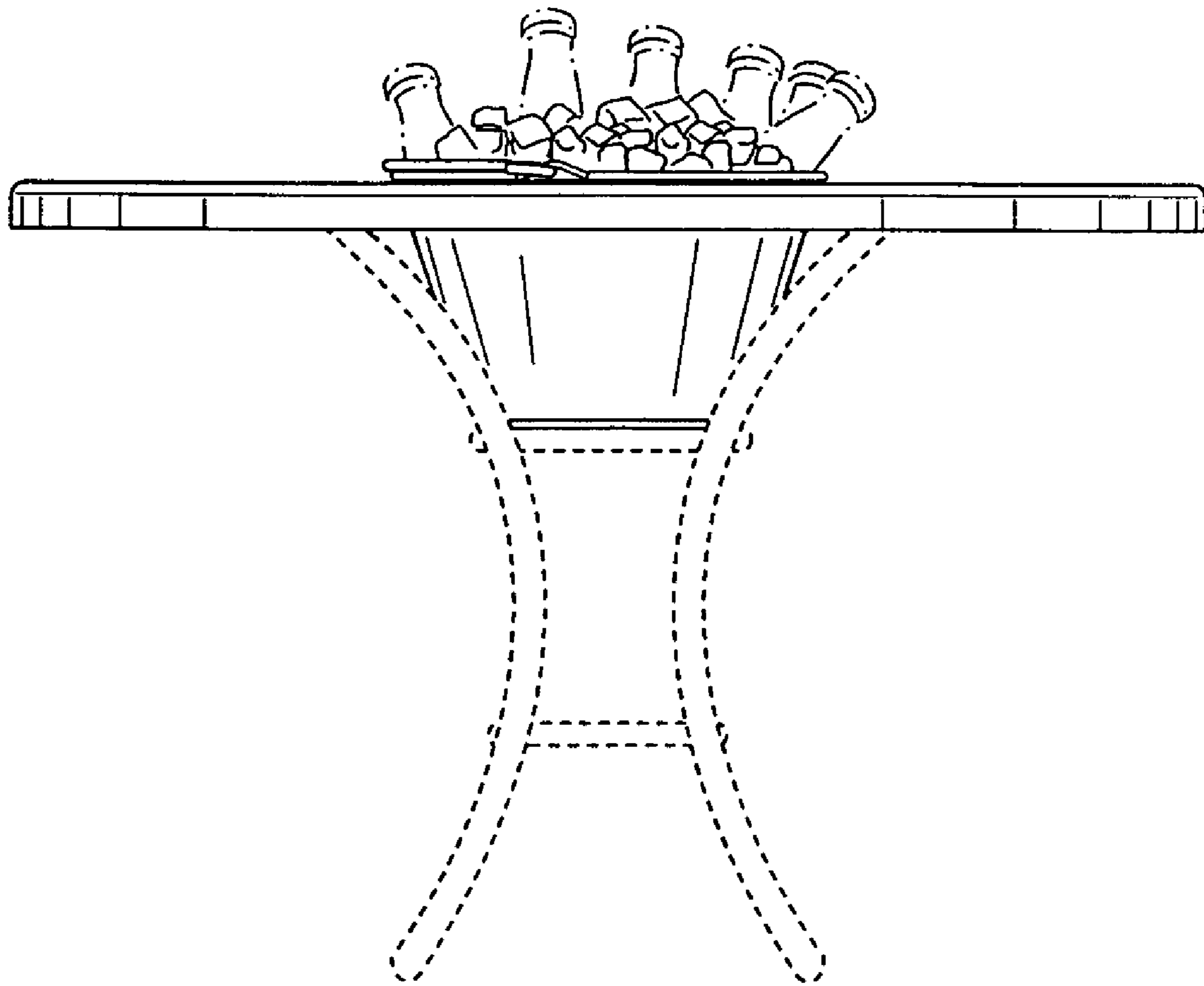


FIG. 2



**FIG. 3**