

US00D603632S

(12) **United States Design Patent**
Su

(10) **Patent No.:** **US D603,632 S**

(45) **Date of Patent:** **** Nov. 10, 2009**

(54) **CHAIR BACKREST**

(76) **Inventor:** **Shu O Su**, No. 3, Keji 2nd Rd., Annan District, Tainan City (TW)

(**) **Term:** **14 Years**

(21) **Appl. No.:** **29/338,371**

(22) **Filed:** **Jun. 10, 2009**

(51) **LOC (9) Cl.** **06-01**

(52) **U.S. Cl.** **D6/502; D6/366**

(58) **Field of Classification Search** D6/334-336, D6/364, 365, 366, 367, 369, 376, 379, 380, D6/500-502; 297/411.2, 411.27, 411.36, 297/452.13, 452.29, 452.46, 452.56, 452.64
See application file for complete search history.

(56) **References Cited**

U.S. PATENT DOCUMENTS

D510,202 S *	10/2005	Chadwick et al.	D6/366
D532,986 S *	12/2006	Kettler et al.	D6/376
D540,050 S *	4/2007	Su	D6/366
D564,767 S *	3/2008	Huang	D6/366
D573,817 S *	7/2008	Su	D6/502

D573,818 S *	7/2008	Su	D6/502
D596,885 S *	7/2009	Su	D6/502

* cited by examiner

Primary Examiner—Mimosa De
(74) *Attorney, Agent, or Firm*—Pro-Techtor Int’l Services; Ralph Willgohs

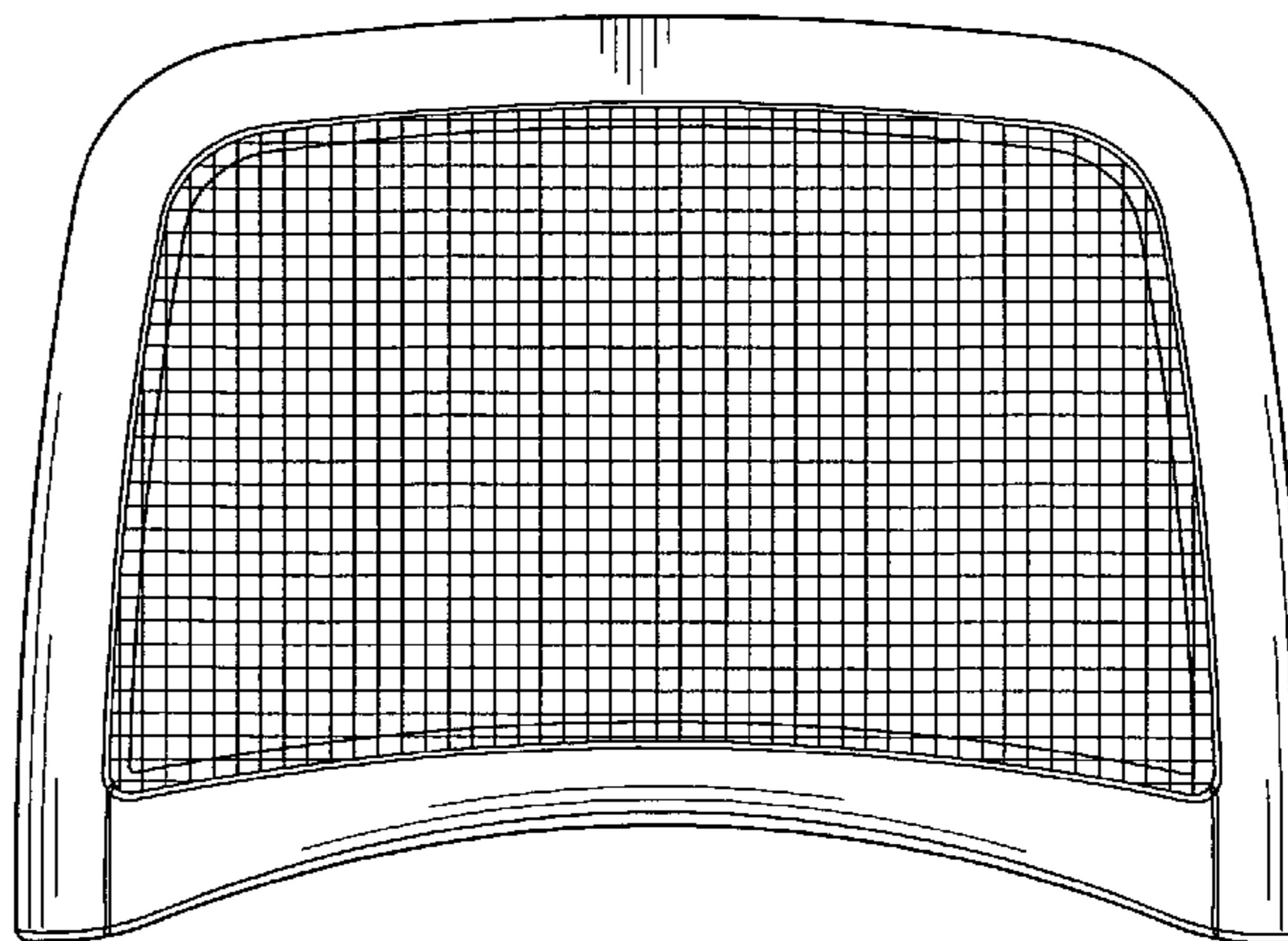
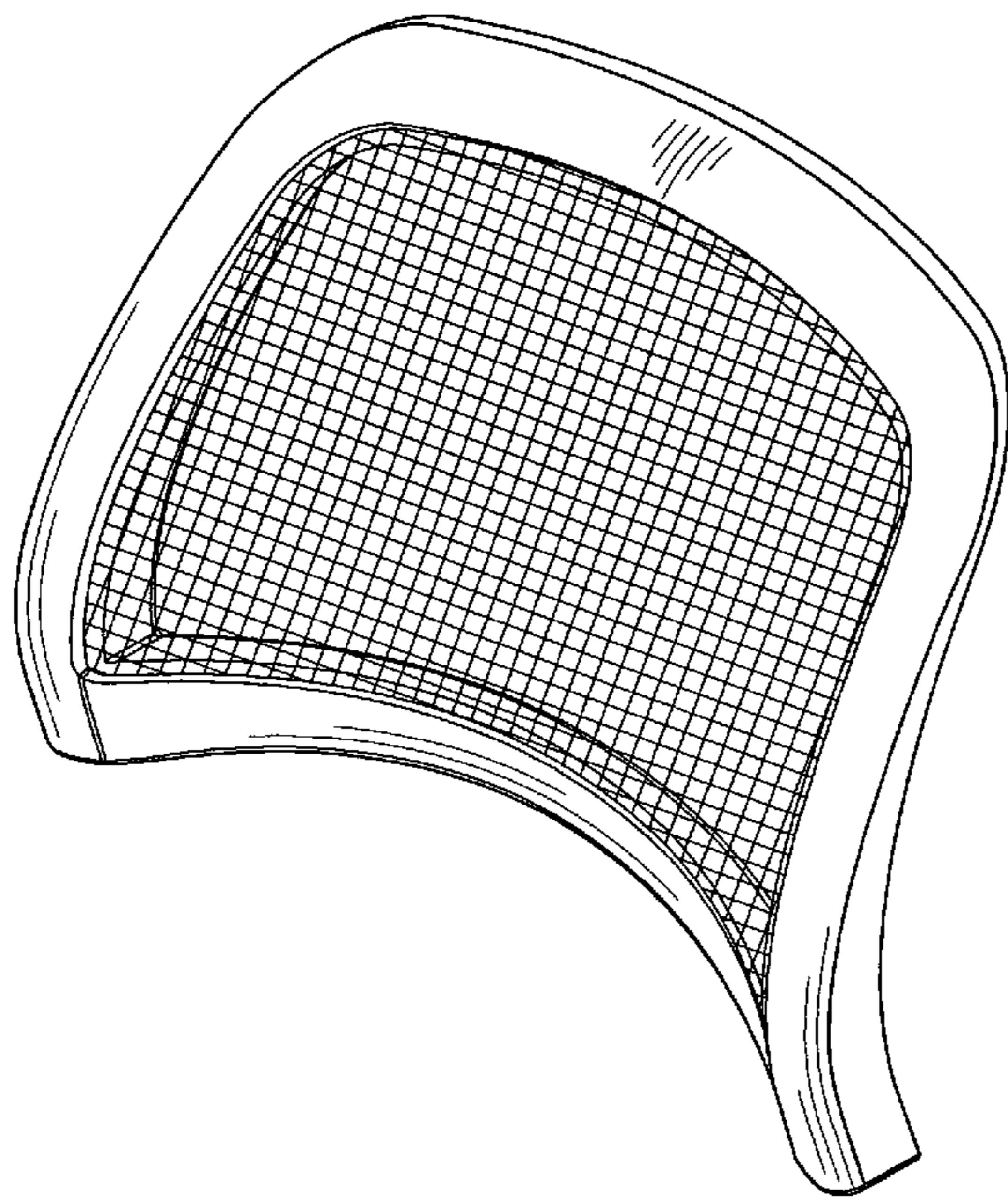
(57) **CLAIM**

The ornamental design for a chair backrest, as shown and described.

DESCRIPTION

FIG. 1 is a perspective view of a chair backrest showing my new design,
FIG. 2 is a front view of the design;
FIG. 3 is a rear view of the design;
FIG. 4 is a left side view of the design;
FIG. 5 is a right side view of the design;
FIG. 6 is a top view of the design; and,
FIG. 7 is a bottom view of the design.

1 Claim, 4 Drawing Sheets



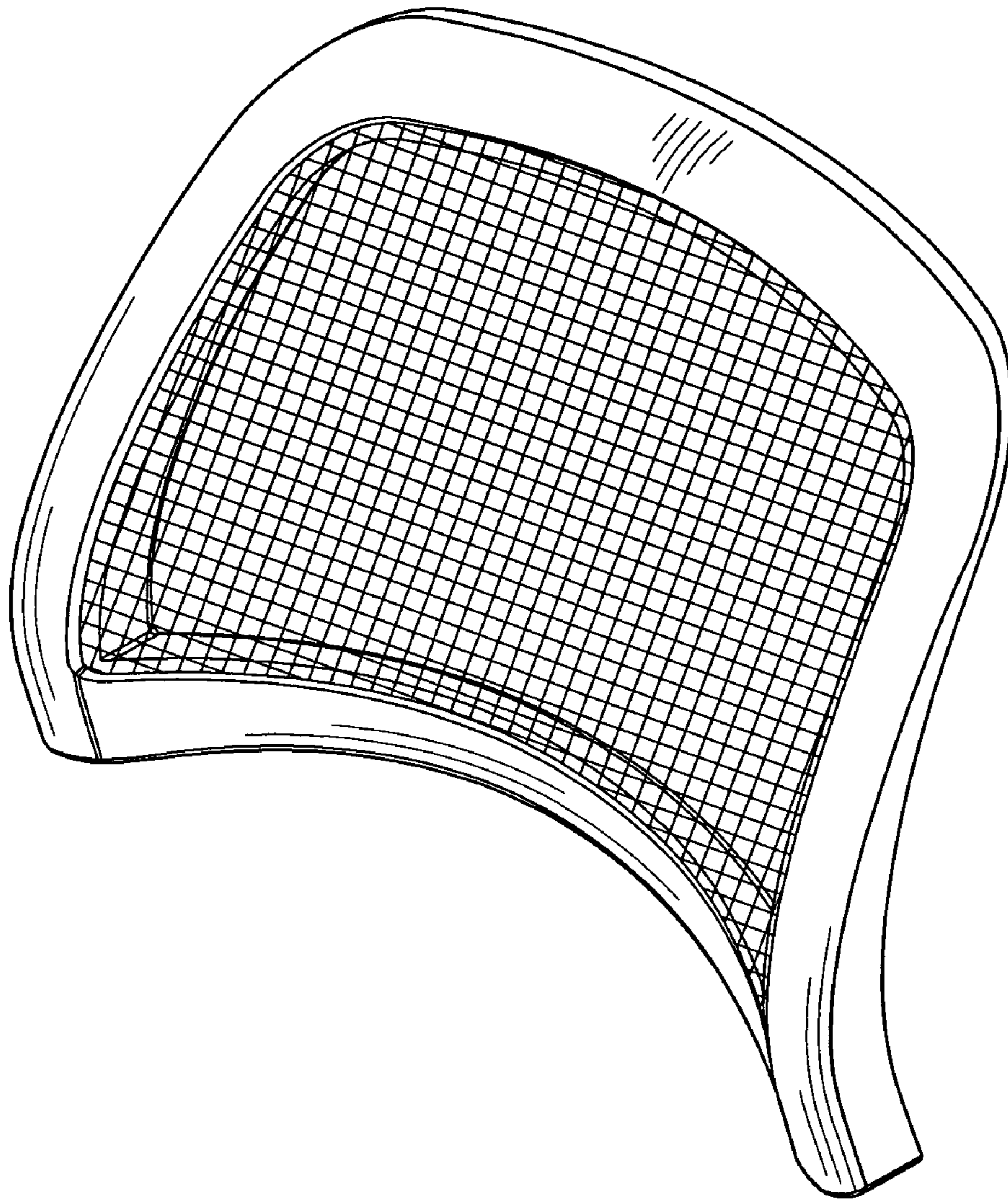


FIG. 1

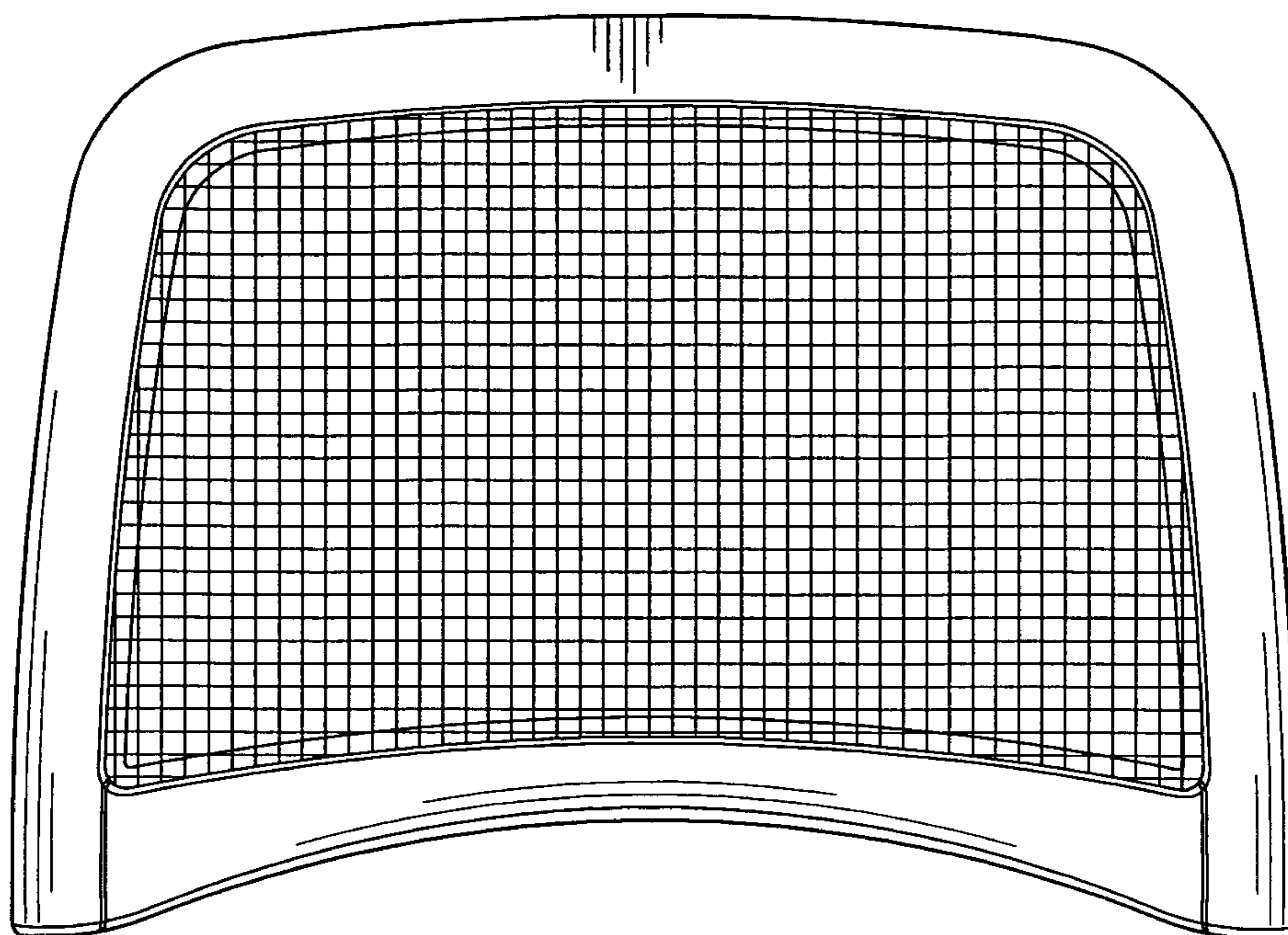


FIG. 2

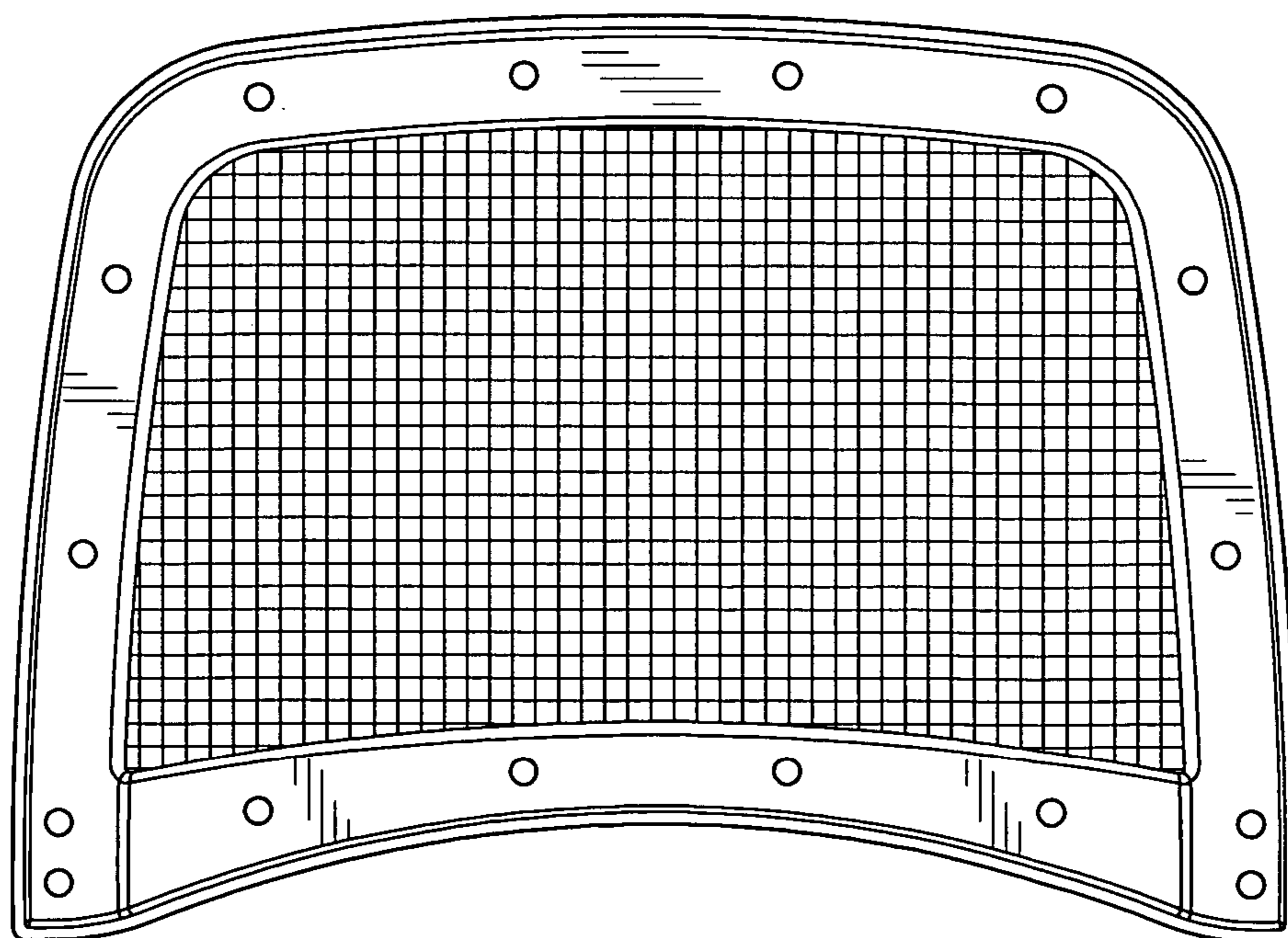


FIG. 3

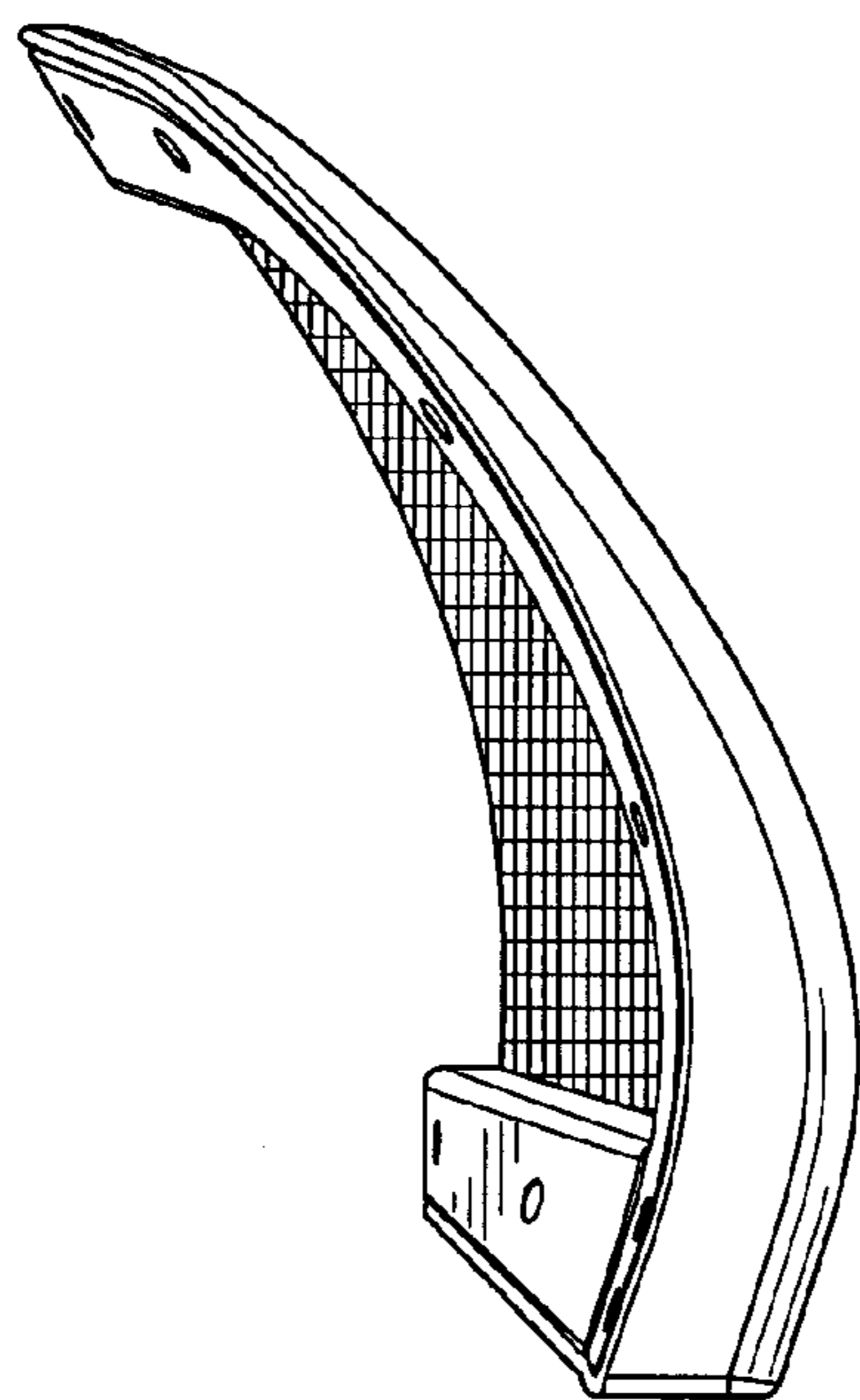


FIG. 4

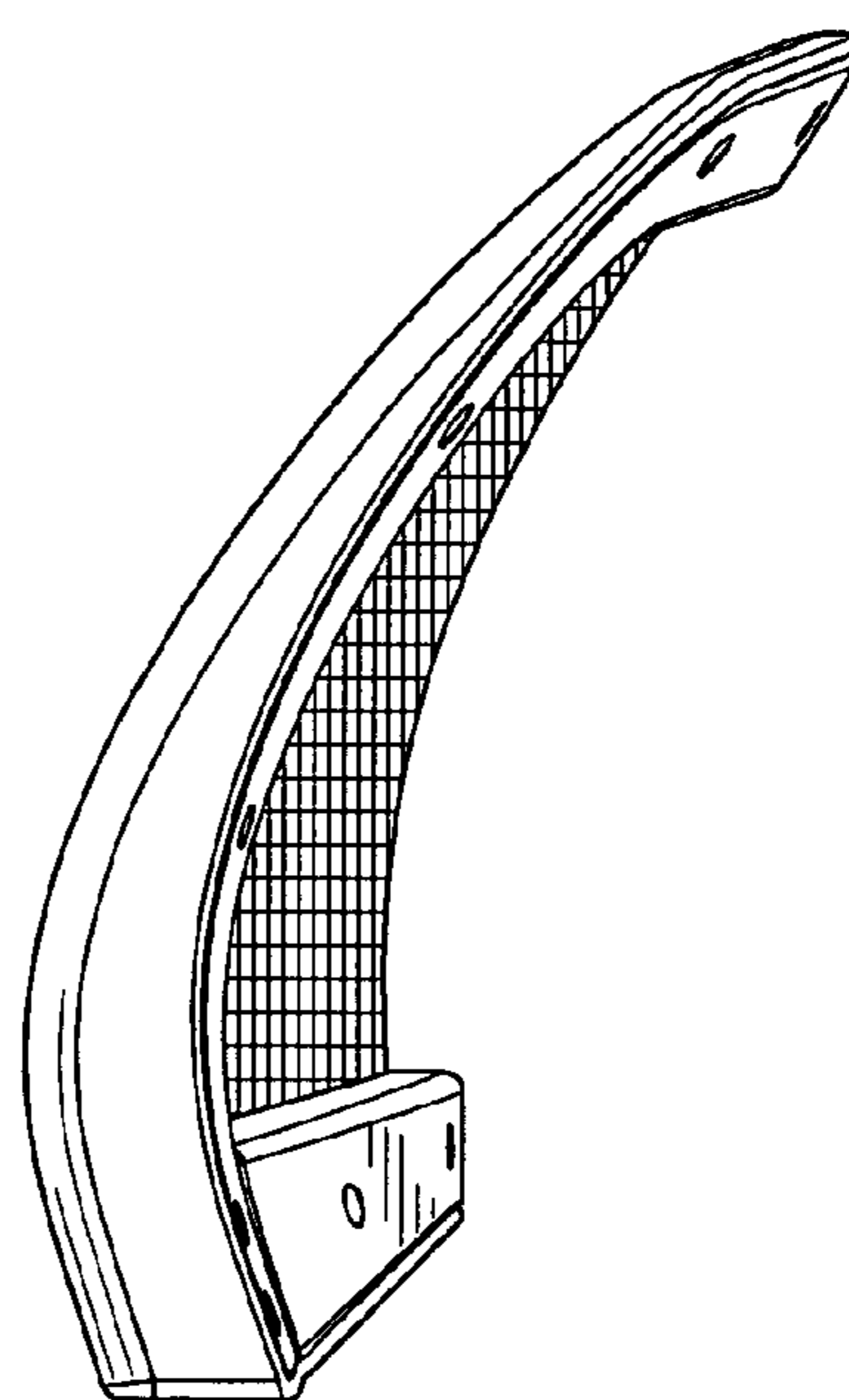


FIG. 5

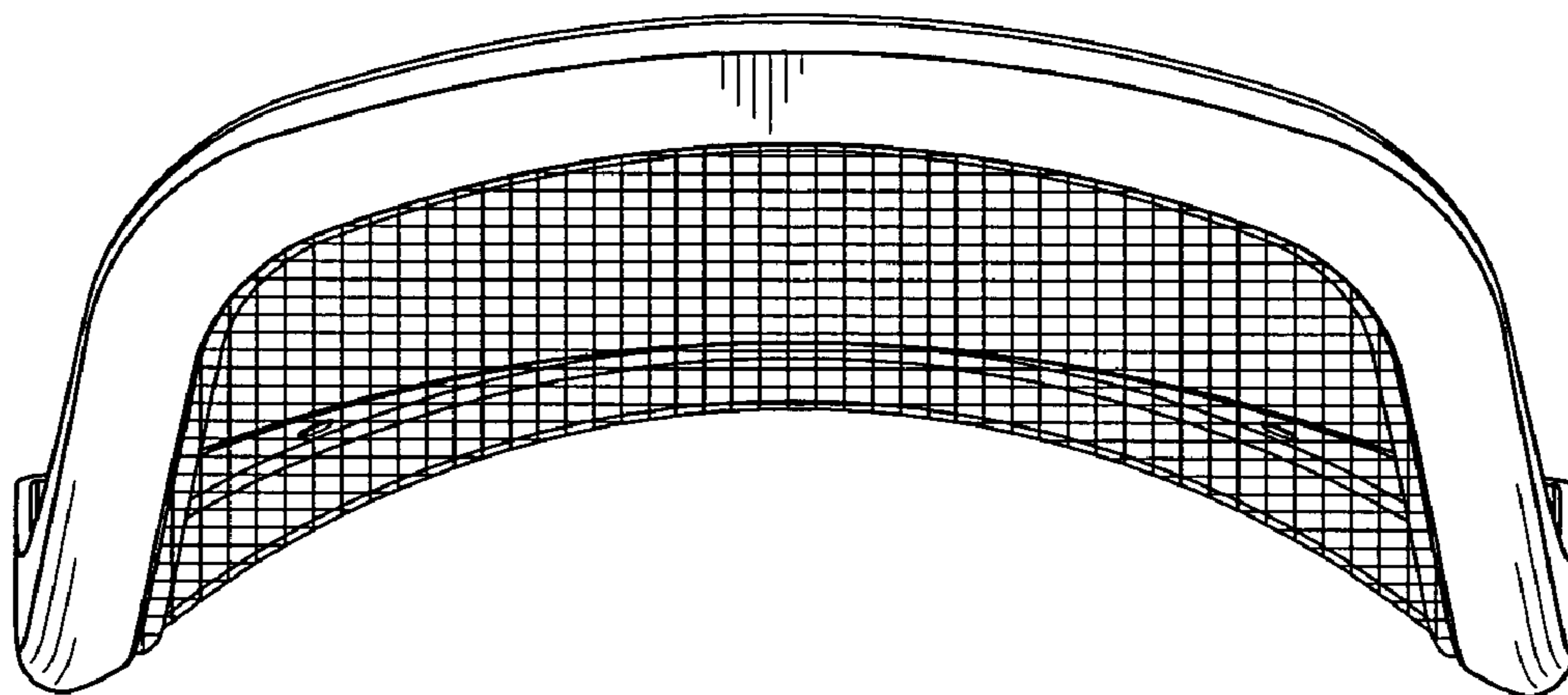


FIG. 6

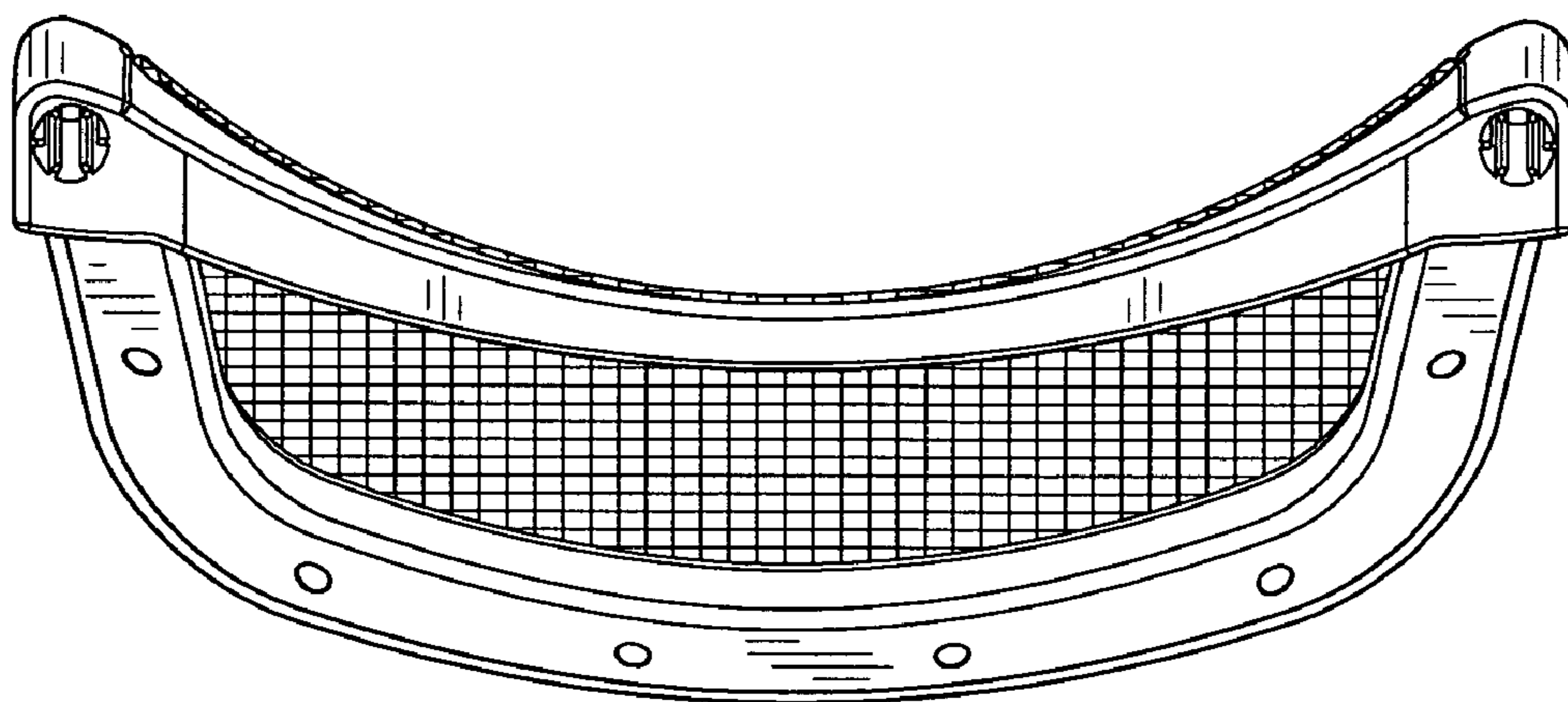


FIG. 7