



US00D603628S

(12) **United States Design Patent**
Towater et al.

(10) **Patent No.:** **US D603,628 S**
(45) **Date of Patent:** **** Nov. 10, 2009**

(54) **HINGED DEMARCATION PANEL FOR FRONT CABINET ACCESS**

(75) Inventors: **Glen Towater**, Alpharetta, GA (US);
Clay Feustel, Lawrenceville, GA (US)

(73) Assignee: **Trompeter Electronics, Inc.**, Mesa, AZ (US)

(**) Term: **14 Years**

(21) Appl. No.: **29/324,854**

(22) Filed: **Sep. 22, 2008**

(51) **LOC (9) Cl.** **06-06**

(52) **U.S. Cl.** **D6/491**

(58) **Field of Classification Search** D6/389,
D6/393, 419–420, 429–448, 470–474, 477–479,
D6/480–489, 505, 509–511, 555, 574; D8/349,
D8/381–383, 394; 52/220.7, 238.1, 239;
108/29, 147.11, 158.11–158.12; 160/135;
211/26, 187, 207–208; 248/207, 221.11,
248/222.13, 243; 312/208.1, 223.3, 334.4–334.5;
361/679.11, 726

See application file for complete search history.

(56) **References Cited**

U.S. PATENT DOCUMENTS

3,697,034	A *	10/1972	Shell	248/243
5,116,007	A *	5/1992	Von Gunton et al.	248/243
5,487,246	A *	1/1996	Hodges et al.	52/220.7
5,546,277	A *	8/1996	Zandbergen	361/726
5,791,498	A *	8/1998	Mills	211/26
5,833,337	A *	11/1998	Kofstad	312/334.5
5,899,035	A *	5/1999	Waalkes et al.	52/239
6,185,092	B1 *	2/2001	Landrum et al.	361/679.11
6,223,916	B1 *	5/2001	Enos	211/187
6,240,687	B1 *	6/2001	Chong	52/238.1
6,301,846	B1 *	10/2001	Waalkes et al.	52/239
6,546,684	B2 *	4/2003	Waalkes et al.	52/239
6,655,534	B2 *	12/2003	Williams et al.	211/26
6,684,929	B2 *	2/2004	MacDonald et al.	160/135

6,817,147	B1 *	11/2004	MacDonald	52/220.7
6,866,154	B2 *	3/2005	Hartman et al.	211/26
6,910,306	B2 *	6/2005	Waalkes et al.	52/239
6,948,691	B2 *	9/2005	Brock et al.	248/222.13
7,093,725	B2 *	8/2006	Hartman et al.	211/26
7,188,916	B2 *	3/2007	Silvestro et al.	312/334.4
7,204,371	B2 *	4/2007	Woolsey et al.	211/26
7,255,409	B2 *	8/2007	Hu et al.	312/334.4
7,281,633	B2 *	10/2007	Hartman et al.	211/26
7,284,672	B2 *	10/2007	Tsai	211/208
7,357,362	B2 *	4/2008	Yang et al.	248/221.11
2003/0106863	A1 *	6/2003	Lauchner et al.	211/26

* cited by examiner

Primary Examiner—Caron Veynar

Assistant Examiner—Ricky Pham

(74) *Attorney, Agent, or Firm*—Sonnenschein Nath & Rosenthal LLP; Brian R. McGinley

(57) **CLAIM**

The ornamental design for a hinged demarcation panel for front cabinet access, as shown and described.

DESCRIPTION

FIG. 1 is a front perspective view of a hinged demarcation panel for front cabinet access illustrating the new design;

FIG. 2 is a rear perspective view of the hinged demarcation panel for front cabinet access illustrated in FIG. 1;

FIG. 3 is a front elevational view of the hinged demarcation panel for front cabinet access illustrated in FIG. 1;

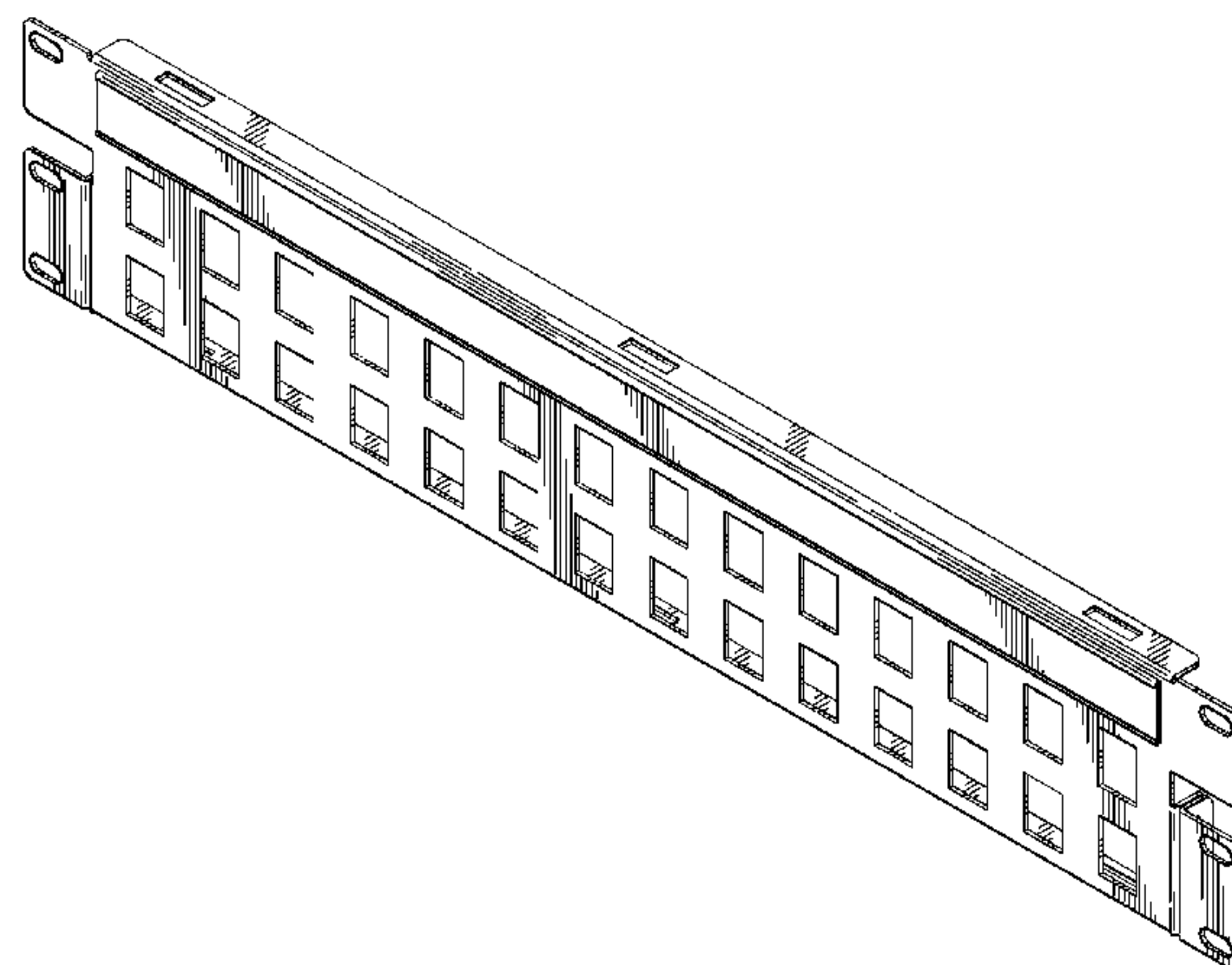
FIG. 4 is a right side elevational view of the hinged demarcation panel for front cabinet access illustrated in FIG. 1 (the left side elevational view is a mirror image of FIG. 4);

FIG. 5 is a rear elevational view of the hinged demarcation panel for front cabinet access shown in FIG. 1;

FIG. 6 is a top view of the hinged demarcation panel for front cabinet access illustrated in FIG. 1; and,

FIG. 7 is a bottom view of the hinged demarcation panel for cabinet access illustrated in FIG. 1.

1 Claim, 3 Drawing Sheets



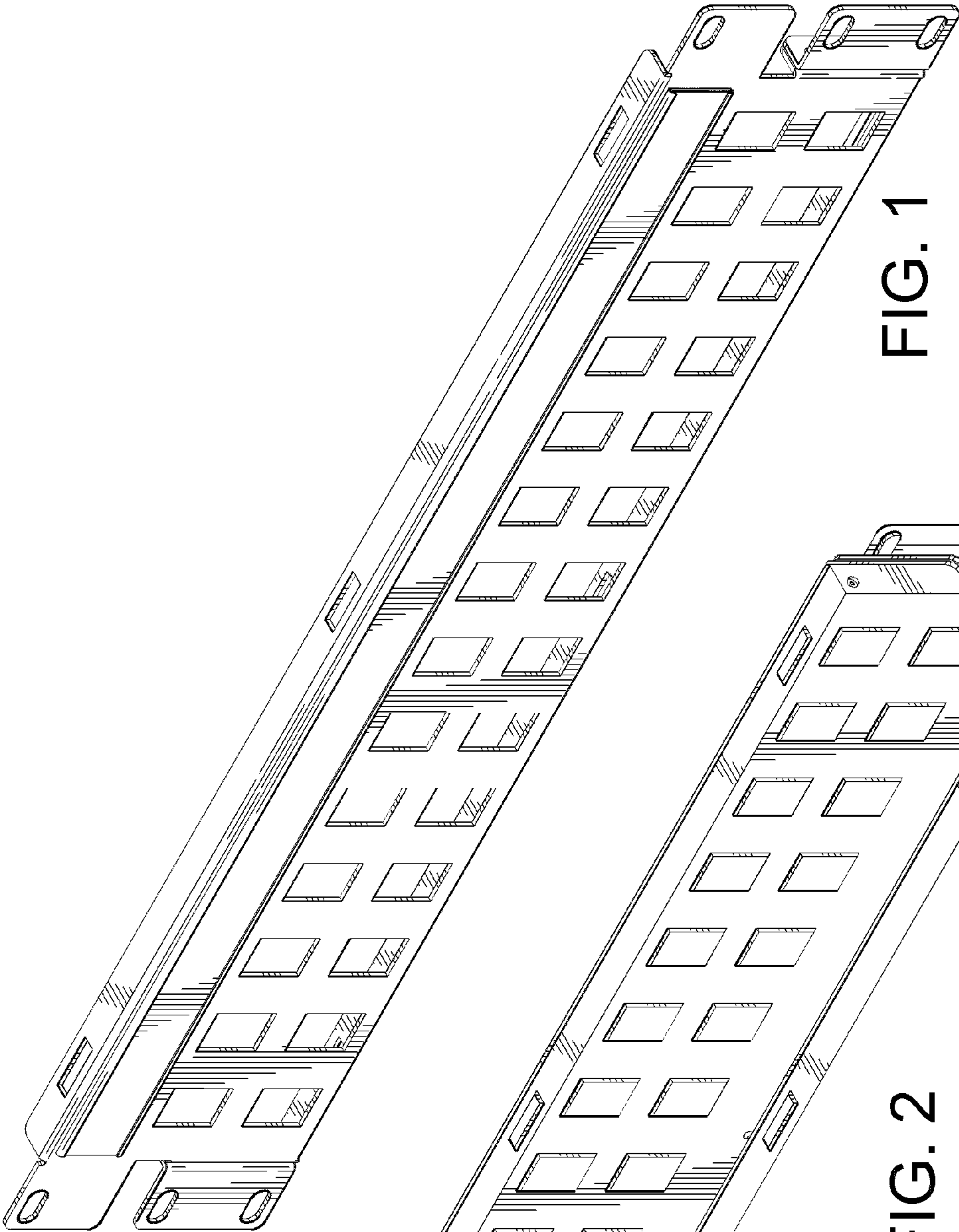


FIG. 1

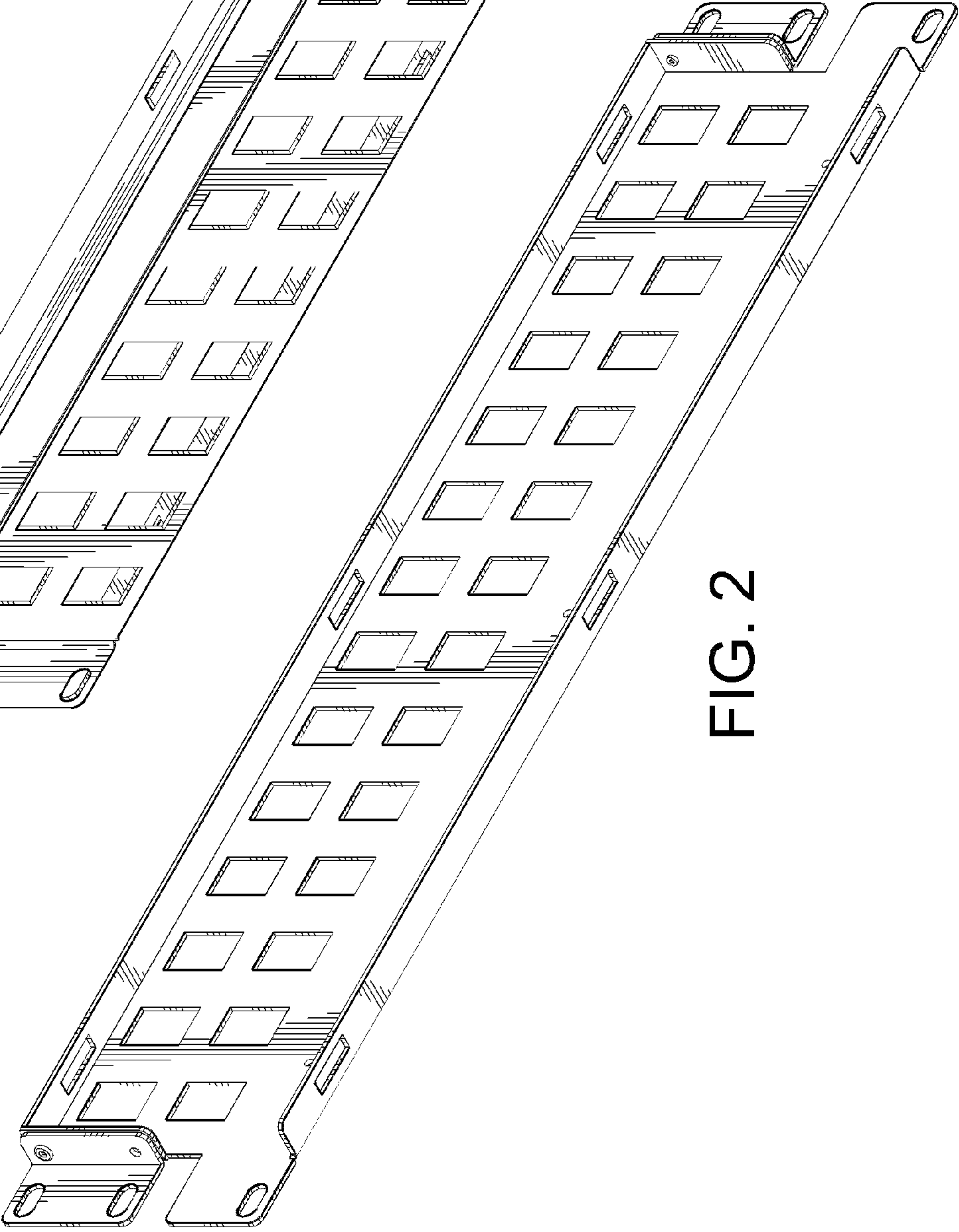


FIG. 2

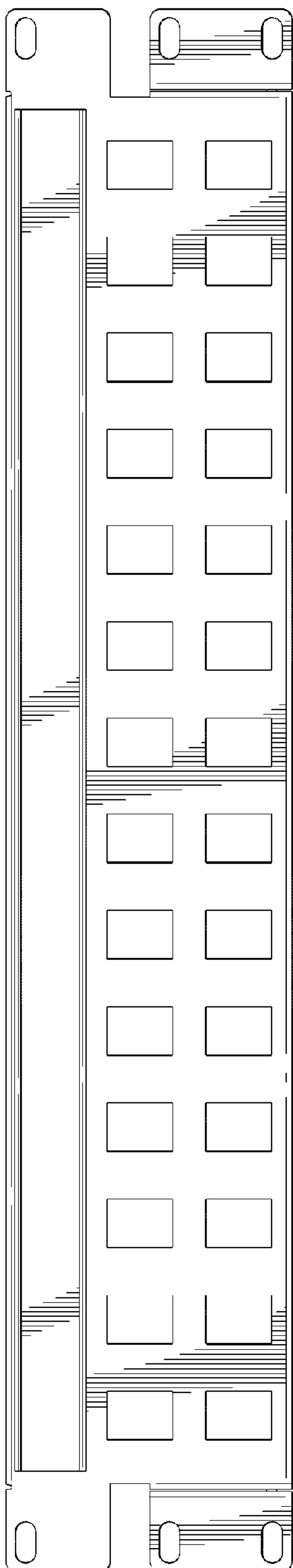


FIG. 3

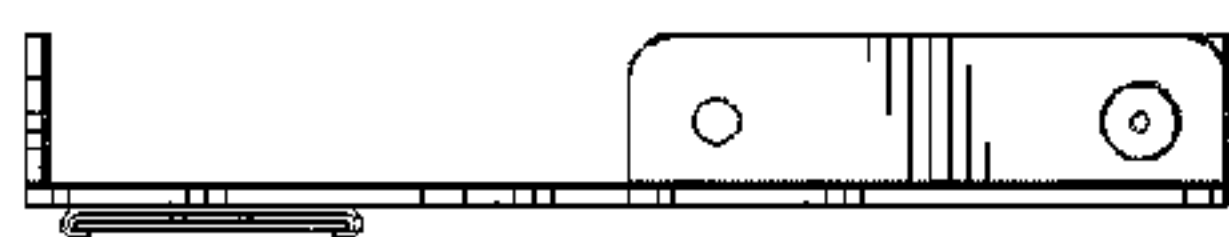


FIG. 4

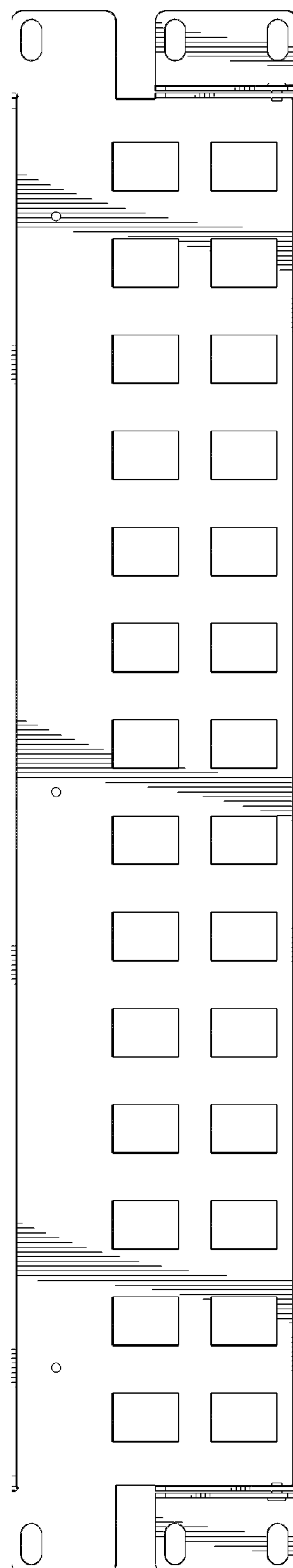


FIG. 5

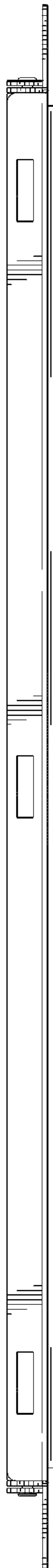


FIG. 6

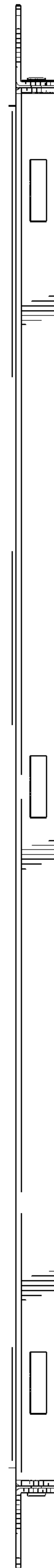


FIG. 7