



US00D603621S

(12) **United States Design Patent**
Abel et al.

(10) **Patent No.:** **US D603,621 S**

(45) **Date of Patent:** **** Nov. 10, 2009**

(54) **PORTABLE, MODULAR VOTING BOOTH**

(76) Inventors: **Gary V. Abel**, 3882 Whitebrook La.,
Ellicott City, MD (US) 21042; **Joseph
Wilson**, 206 Vallis Dr., Spencer, WV
(US) 25276

(**) Term: **14 Years**

(21) Appl. No.: **29/314,443**

(22) Filed: **Apr. 1, 2009**

(51) **LOC (9) Cl.** **06-03**

(52) **U.S. Cl.** **D6/421**

(58) **Field of Classification Search** D6/421-428;
312/194-196, 198; 108/50.01, 50.02, 60;
235/51, 50 R; 52/36.1, 36.4
See application file for complete search history.

(56) **References Cited**

U.S. PATENT DOCUMENTS

D176,289 S * 12/1955 Schumacher D6/421
D191,747 S * 11/1961 Jentzen D6/421
3,211,506 A * 10/1965 Levy et al. 312/239

D203,121 S * 12/1965 Barecki D6/421
D221,386 S * 8/1971 Babbs D6/421
2004/0149177 A1 * 8/2004 Gayhart et al. 108/50.02

* cited by examiner

Primary Examiner—Janice E Seeger

(74) *Attorney, Agent, or Firm*—Ober / Kaler; Royal W. Craig

(57) **CLAIM**

The ornamental design for a portable, modular voting booth,
as shown and described.

DESCRIPTION

FIG. 1 is a perspective view of a voting booth according to our
new design.

FIG. 2 is a right side view of the voting booth as in FIG. 1.

FIG. 3 is a left side view of the voting booth as in FIGS. 1-2.

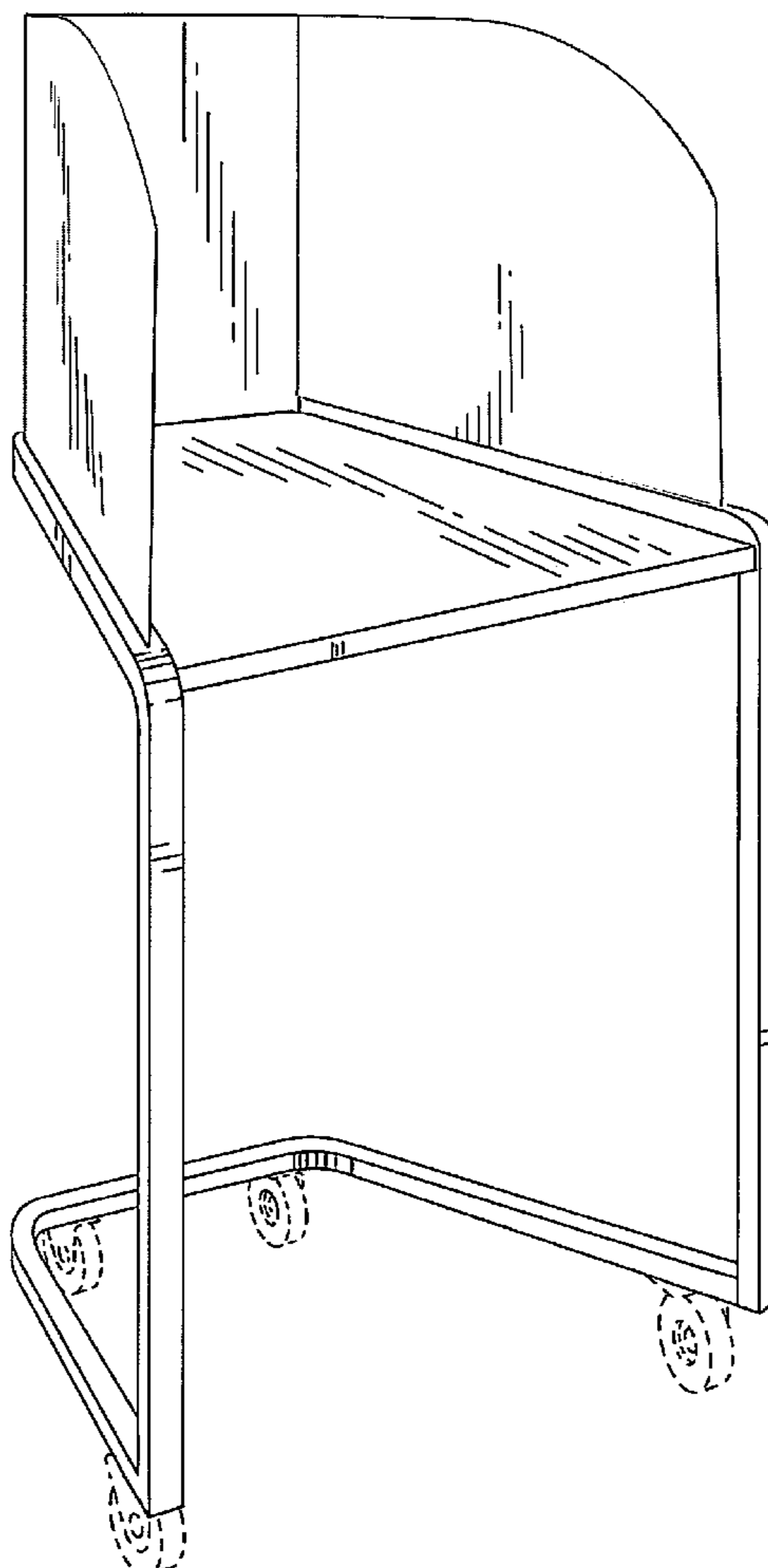
FIG. 4 is a top view of the voting booth as in FIGS. 1-3.

FIG. 5 is a bottom view of the voting booth as in FIGS. 1-4.

FIG. 6 is a front view of the voting booth as in FIGS. 1-5; and,

FIG. 7 is a back view of the voting booth as in FIGS. 1-6.

1 Claim, 6 Drawing Sheets



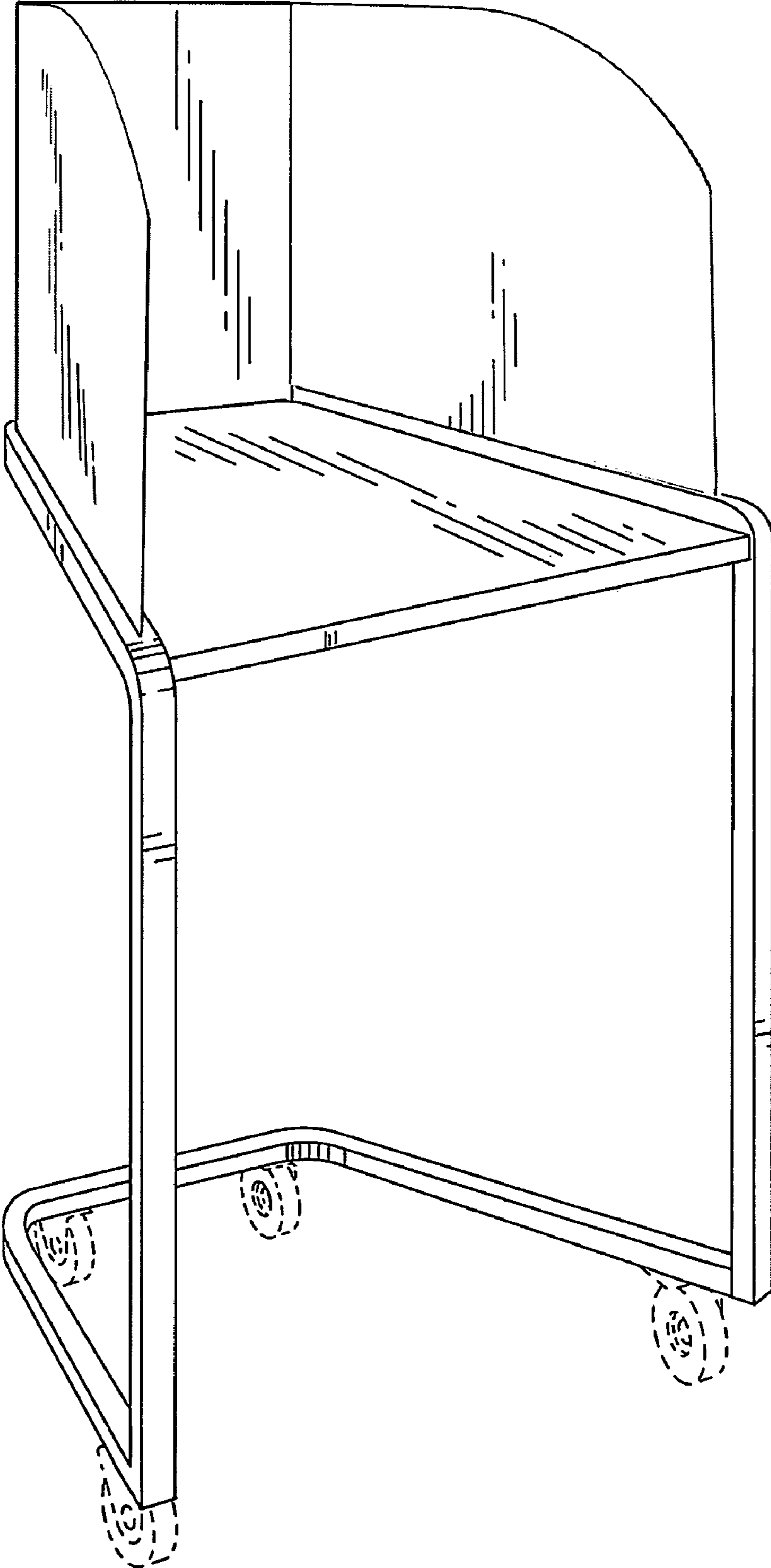


FIG. 1

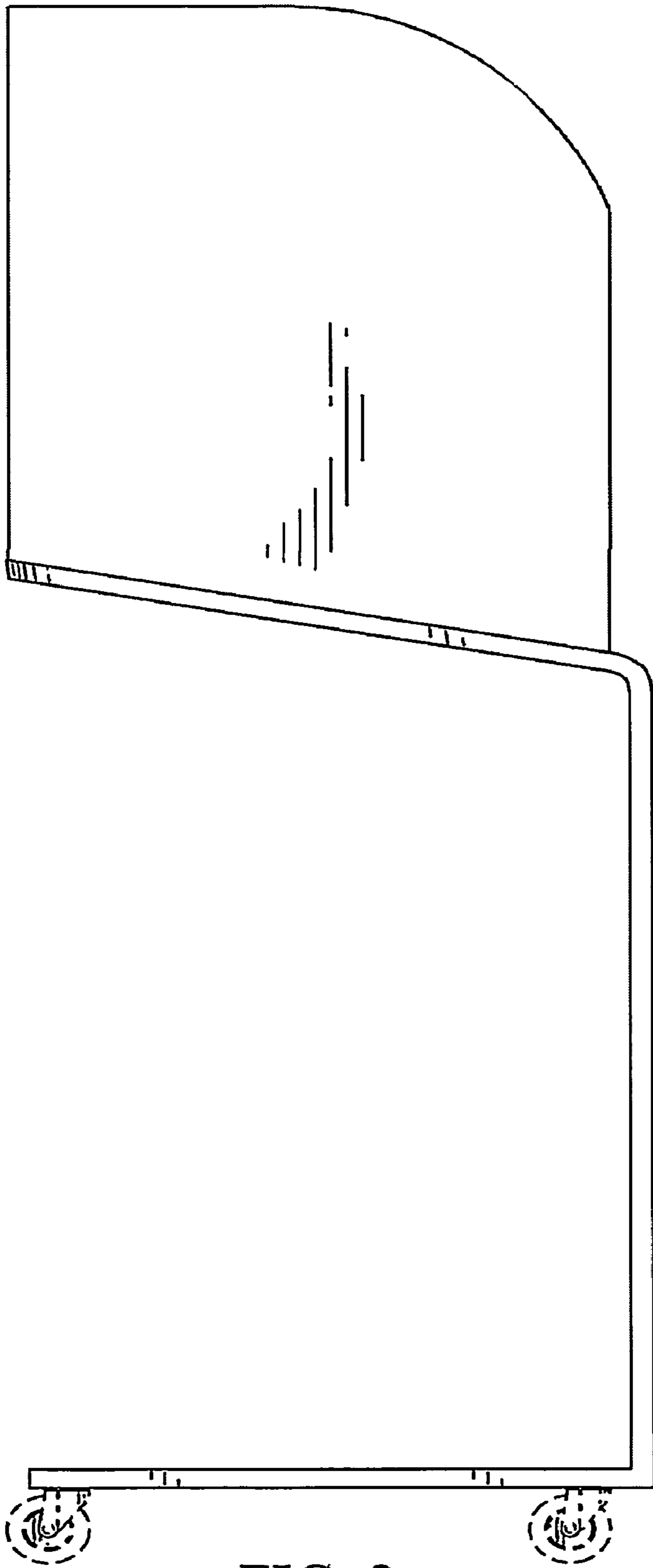


FIG. 2

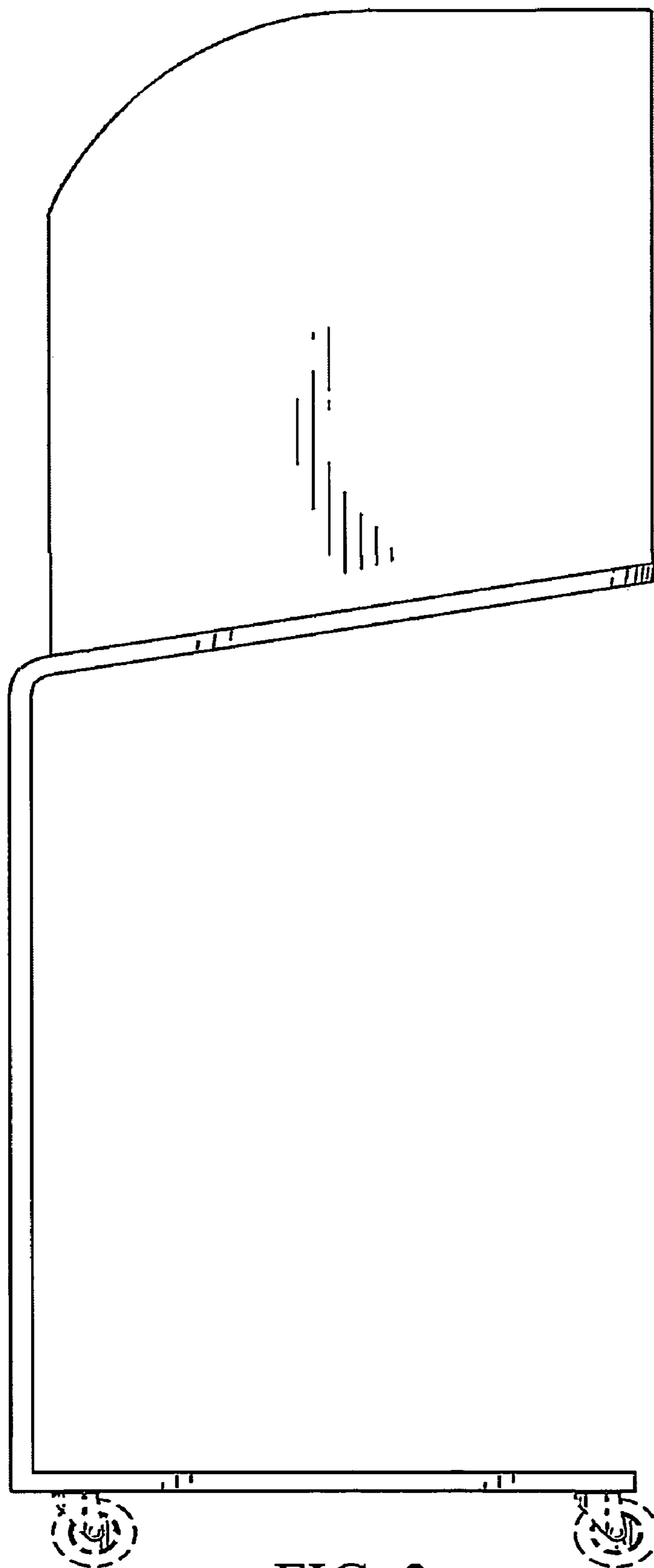


FIG. 3

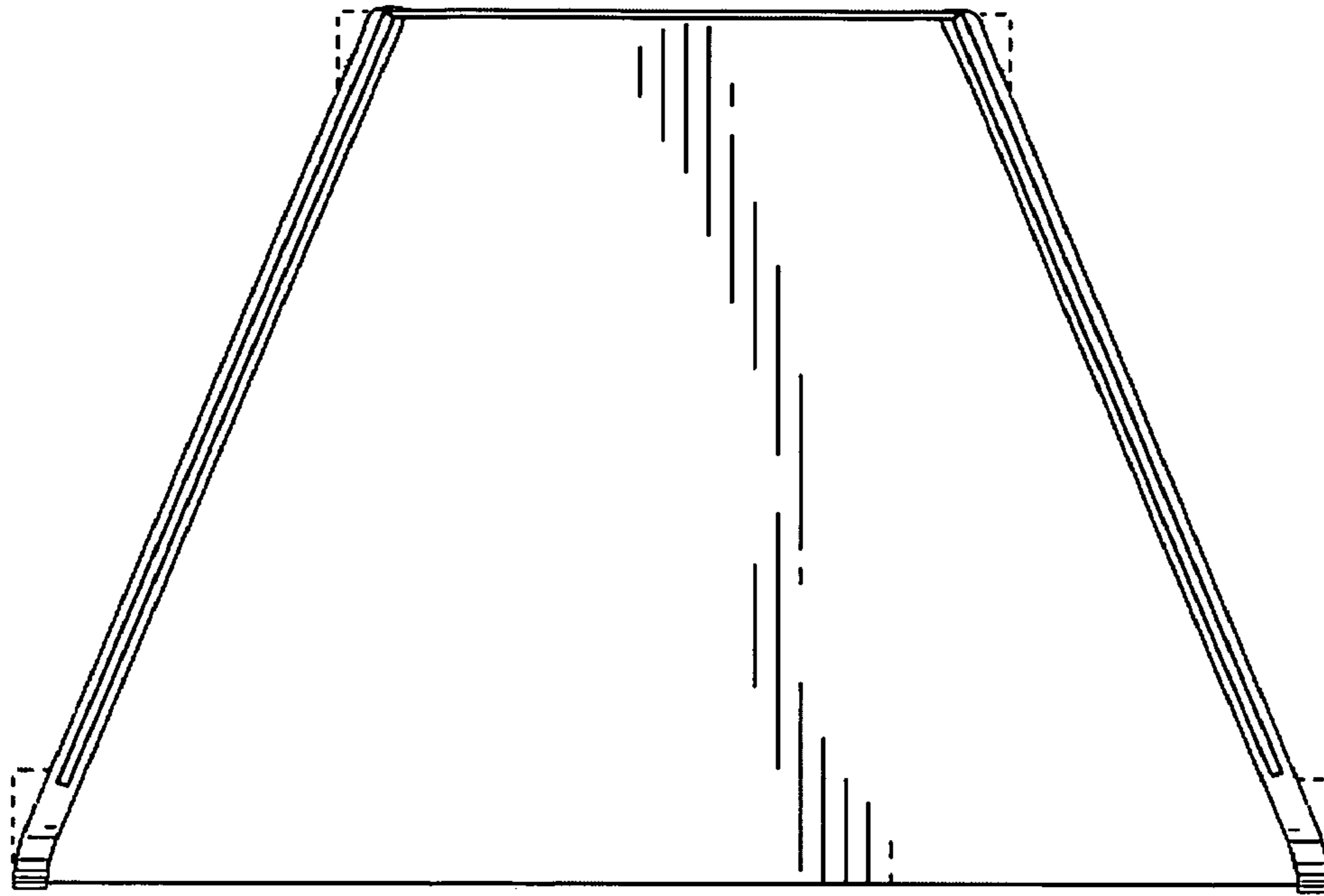


FIG. 4

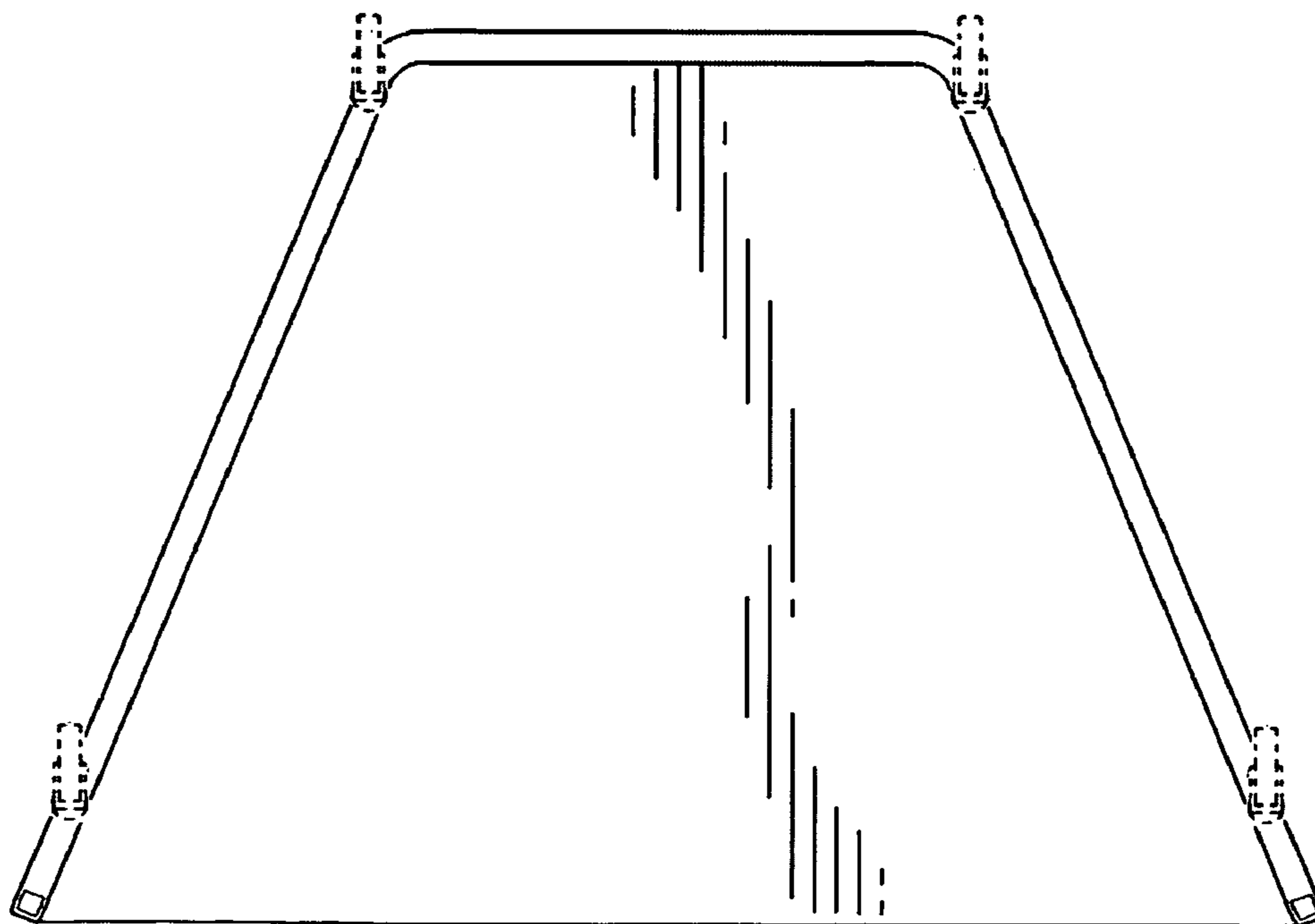


FIG. 5

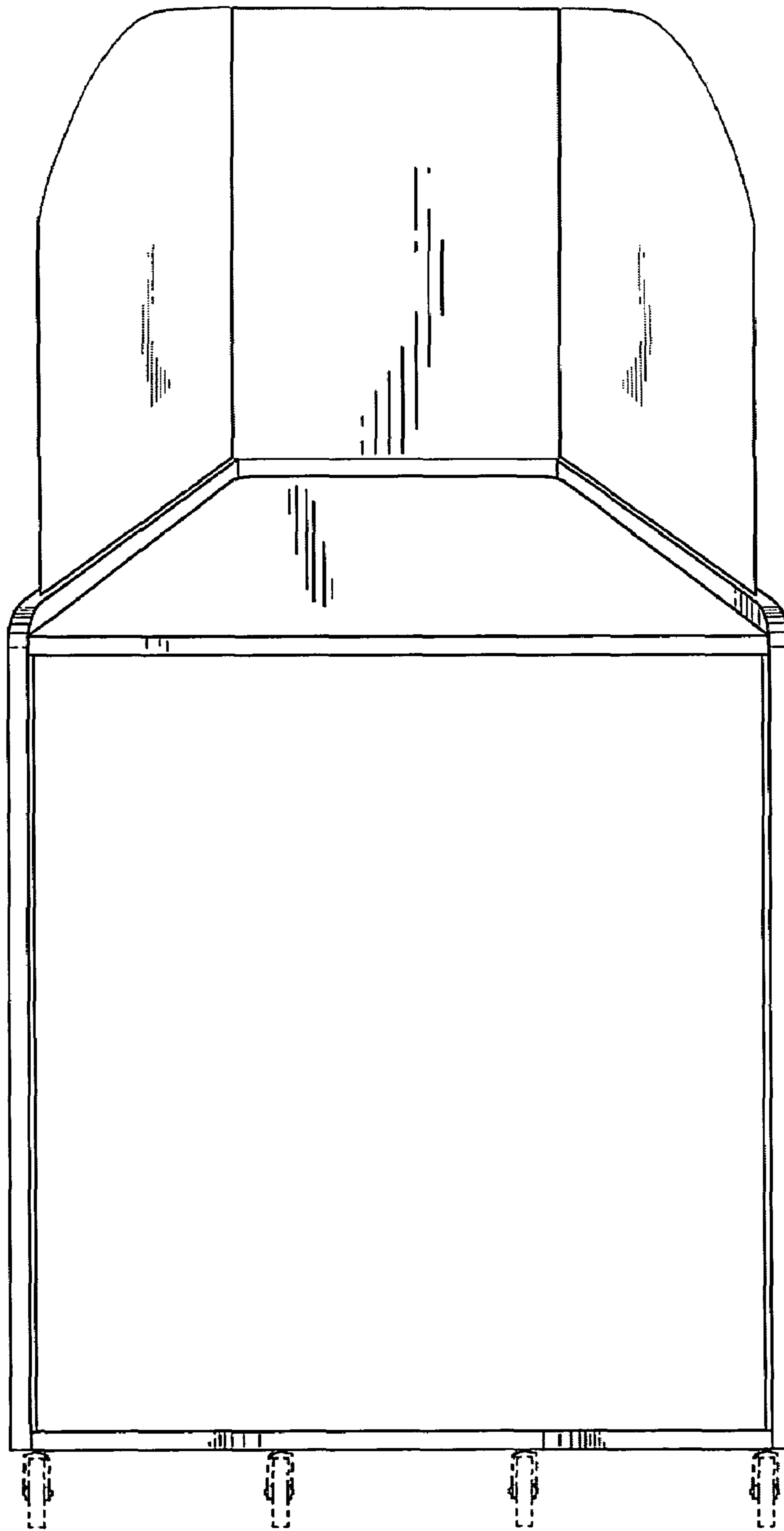


FIG. 6

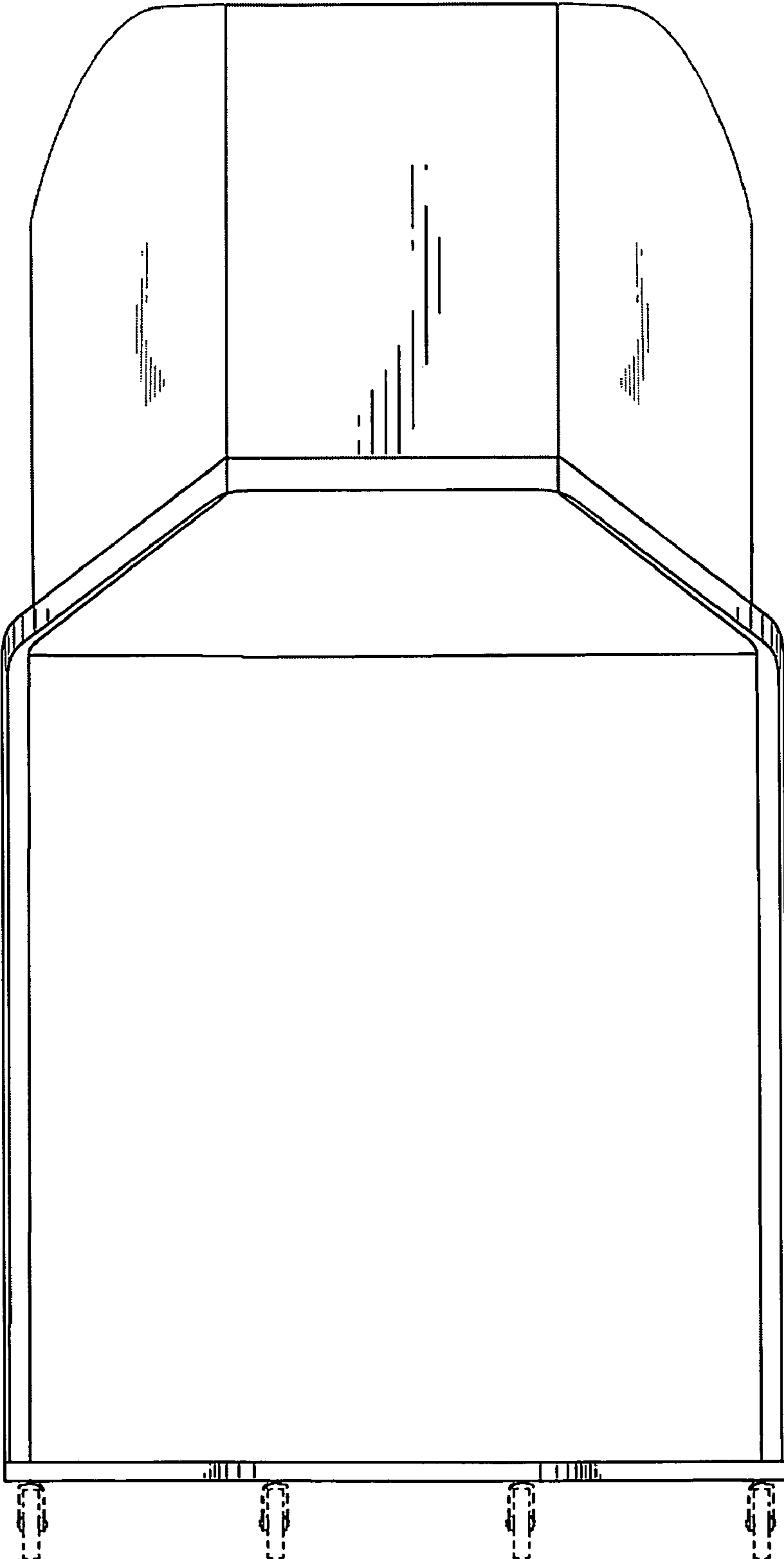


FIG. 7