



US00D603619S

(12) **United States Design Patent**
Weiss

(10) **Patent No.:** **US D603,619 S**

(45) **Date of Patent:** **** Nov. 10, 2009**

(54) **SOFA**

D569,123 S * 5/2008 Rooz et al. D6/381
D575,963 S * 9/2008 Gomez D6/381

(75) Inventor: **Per Weiss, Randers (DK)**

* cited by examiner

(73) Assignee: **Innovation U.S.A., Inc.**, Hanover, MD
(US)

Primary Examiner—Sandra Snapp
(74) *Attorney, Agent, or Firm*—Miles & Stockbridge P.C.;
James T. Carmichael, Esq.; Michael A. Minter, Esq.

(**) Term: **14 Years**

(21) Appl. No.: **29/324,650**

(57) **CLAIM**

(22) Filed: **Sep. 17, 2008**

The ornamental design for a sofa, as shown and described.

(30) **Foreign Application Priority Data**

DESCRIPTION

Jun. 26, 2008 (CN) 200830141328

FIG. 1 is a front right perspective view of the sofa showing the new design;

(51) **LOC (9) Cl.** **06-01**

FIG. 2 is a front left perspective view thereof;

(52) **U.S. Cl.** **D6/381**

FIG. 3 is a front view thereof;

(58) **Field of Classification Search** D6/334,
D6/349, 355, 364, 370, 374, 378, 381, 382,
D6/383, 491, 495, 500–503; 297/68, 232,
297/233, 353, 445.1, 448.1, 448.2, DIG. 7;
5/12.1, 12.2

FIG. 4 is a rear view thereof;

FIG. 5 is a left side view thereof;

FIG. 6 is a right side view thereof;

FIG. 7 is a top plan view thereof;

See application file for complete search history.

FIG. 8 is a bottom plan view thereof;

FIG. 9 is a front right perspective view thereof in an inclined position;

(56) **References Cited**

U.S. PATENT DOCUMENTS

D169,911 S * 6/1953 Netzer D6/381
D170,088 S * 7/1953 Hoffman D6/381
D170,122 S * 8/1953 Jorgensen D6/381
D175,877 S * 10/1955 Bartolucci D6/381
2,774,977 A * 12/1956 Mintz 5/12.1
2,979,122 A * 4/1961 Knoll 297/446.1
4,110,855 A * 9/1978 Acker 5/45
4,292,698 A * 10/1981 Acker 5/45
D272,968 S * 3/1984 Fairaizen D6/381
D443,989 S * 6/2001 Gomez D6/335
D444,305 S * 7/2001 Mourgue D6/335
D446,962 S * 8/2001 Mourgue D6/381
D455,281 S * 4/2002 Andersen et al. D6/381
D455,282 S * 4/2002 Andersen et al. D6/381
D463,689 S * 10/2002 Pathiratne D6/492
D490,996 S * 6/2004 Weiss et al. D6/381
D498,075 S * 11/2004 Mourgue D6/381

FIG. 10 is a front left perspective view thereof in the inclined position;

FIG. 11 is a front view thereof in the inclined position;

FIG. 12 is a rear view thereof in the inclined position;

FIG. 13 is a left side view thereof in the inclined position;

FIG. 14 is a right side view thereof in the inclined position;

FIG. 15 is a top plan view thereof in the inclined position;

FIG. 16 is a bottom plan view thereof in the inclined position;
and,

FIG. 17 is an enlarged detail view of the foot portion shown in
FIG. 16.

The dashed lines shown on the article represent topstitching.

1 Claim, 13 Drawing Sheets

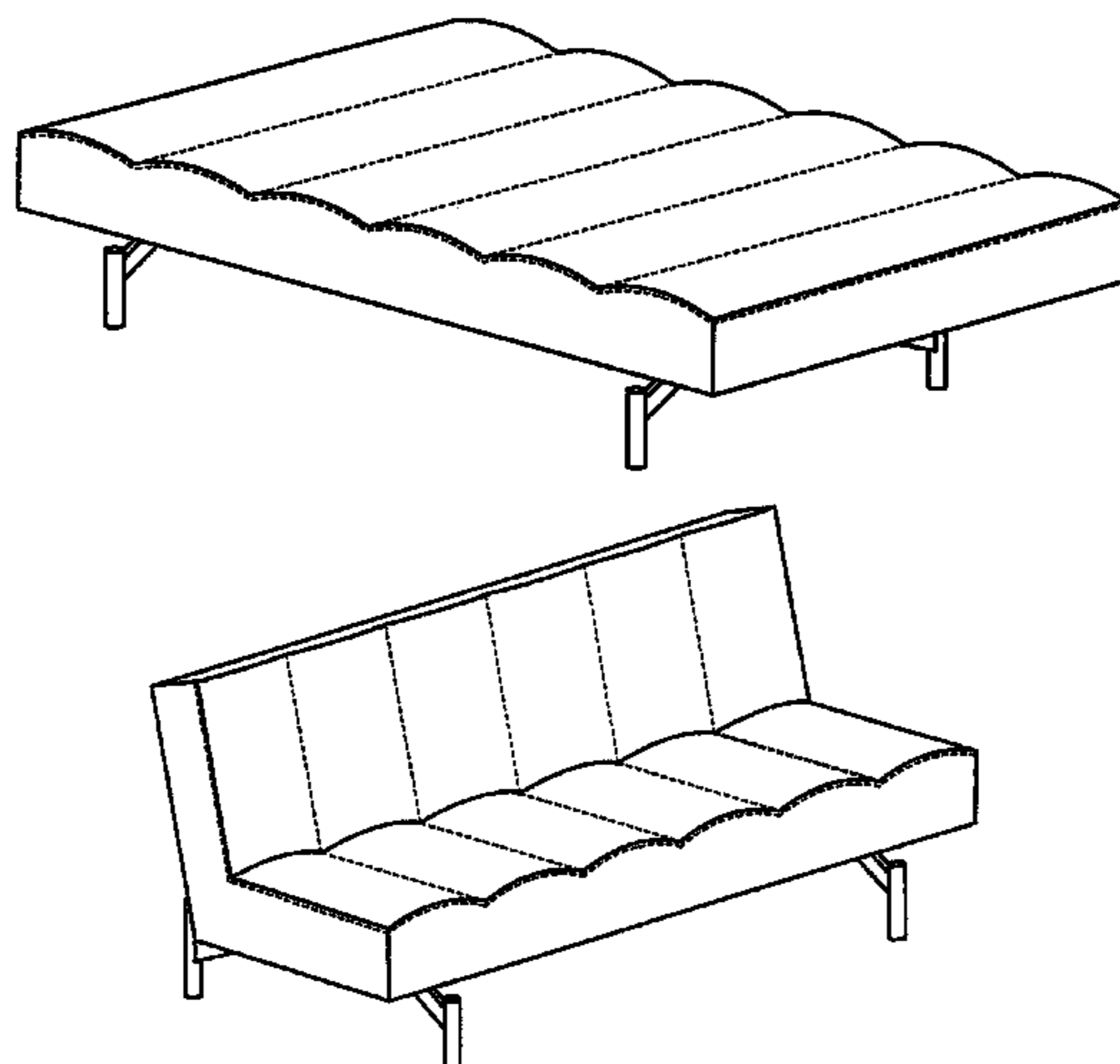


FIG. 1

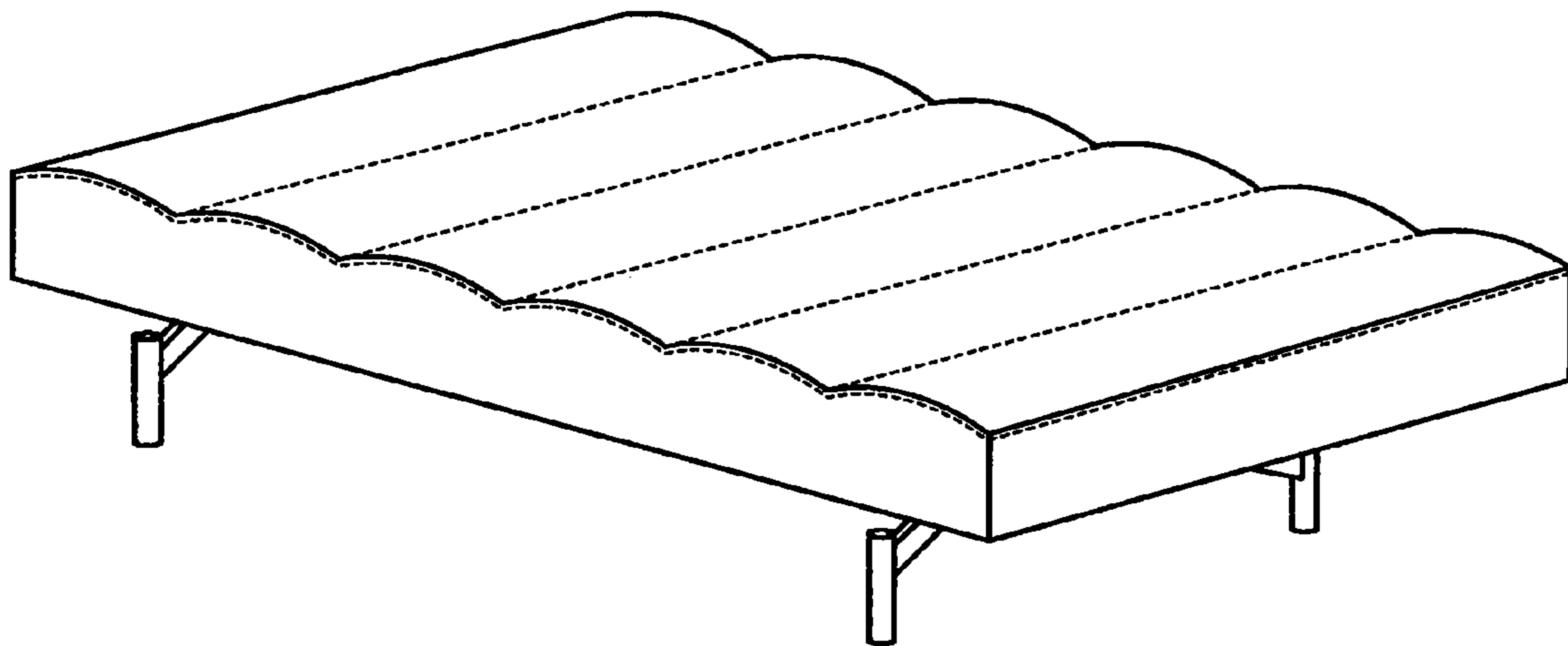


FIG. 2

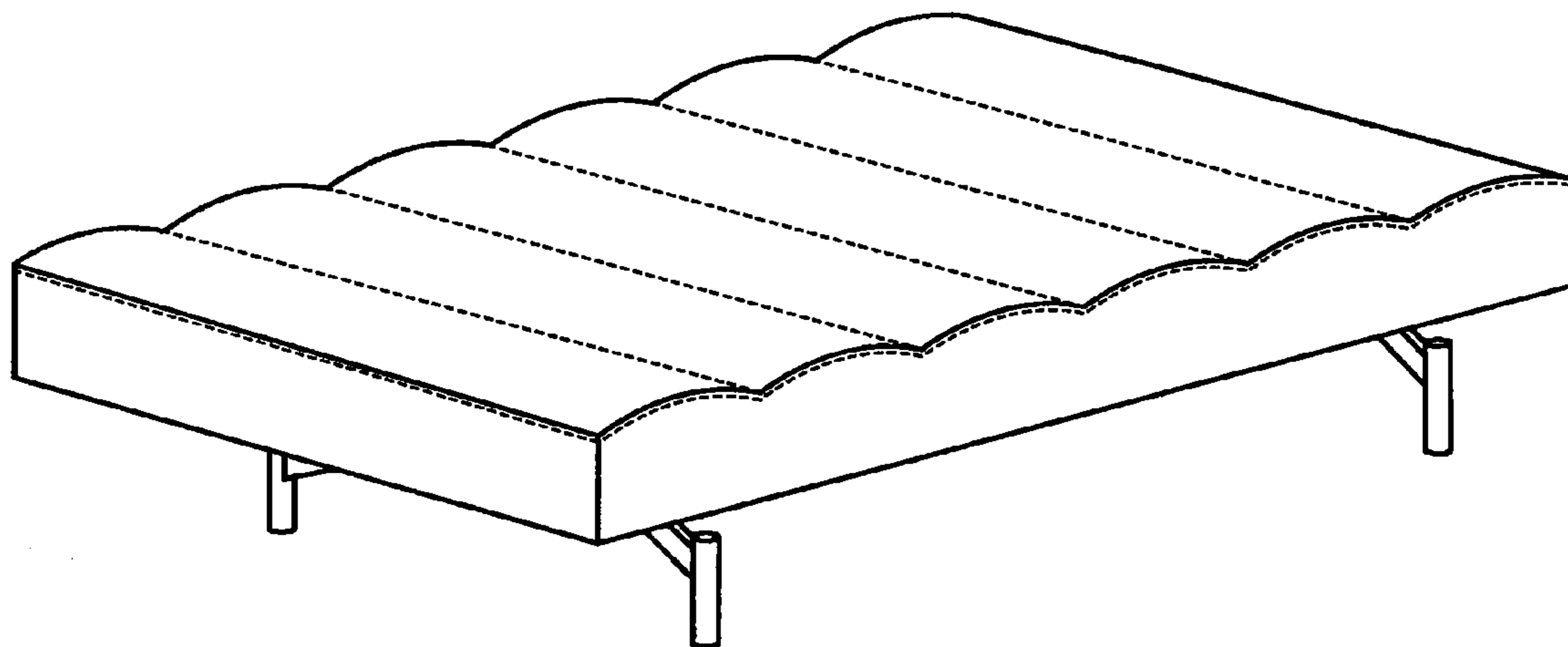


FIG. 3

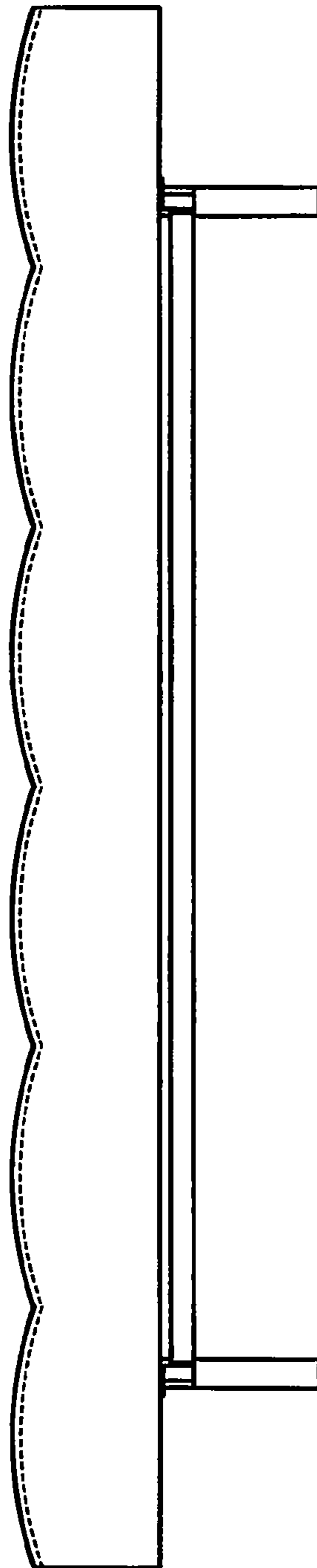


FIG. 4

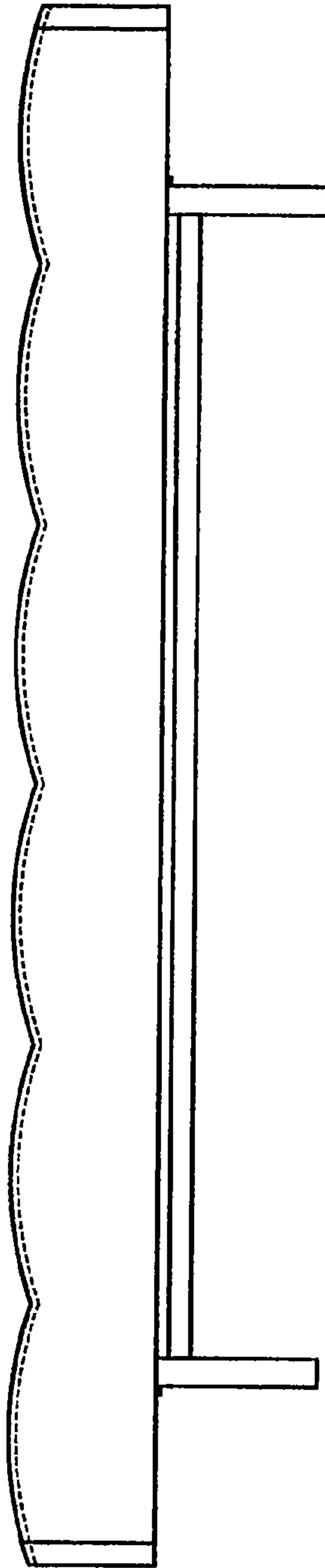


FIG. 5

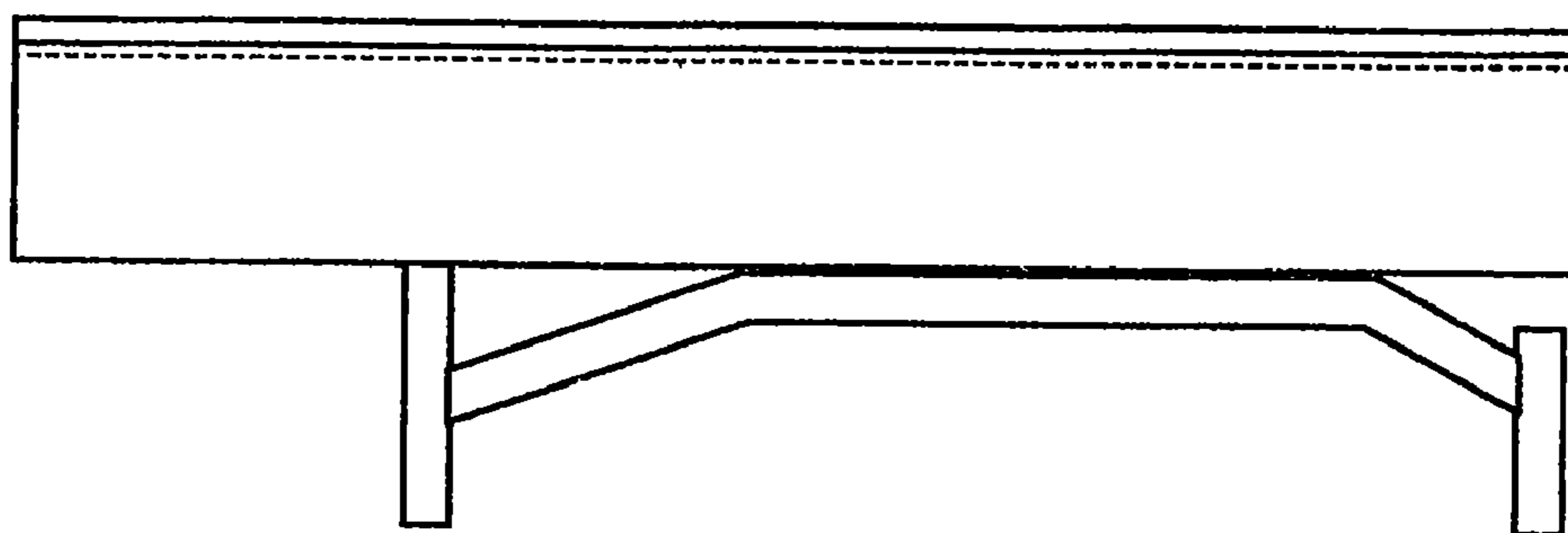


FIG. 6

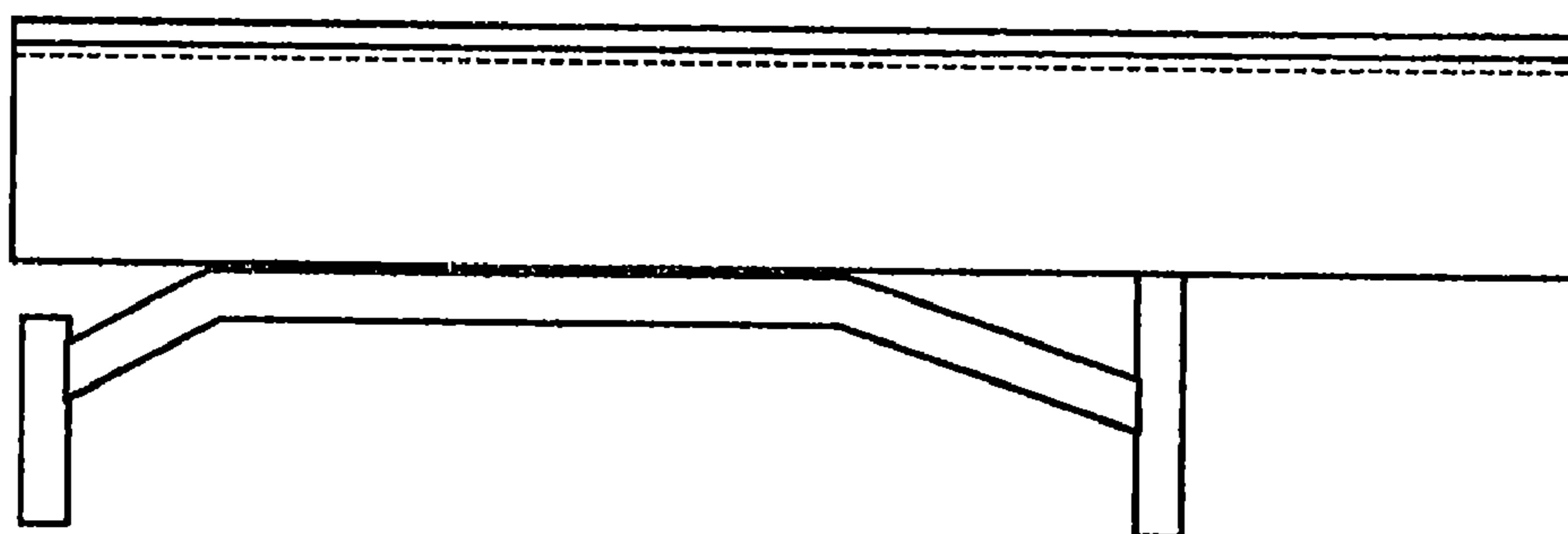


FIG. 7

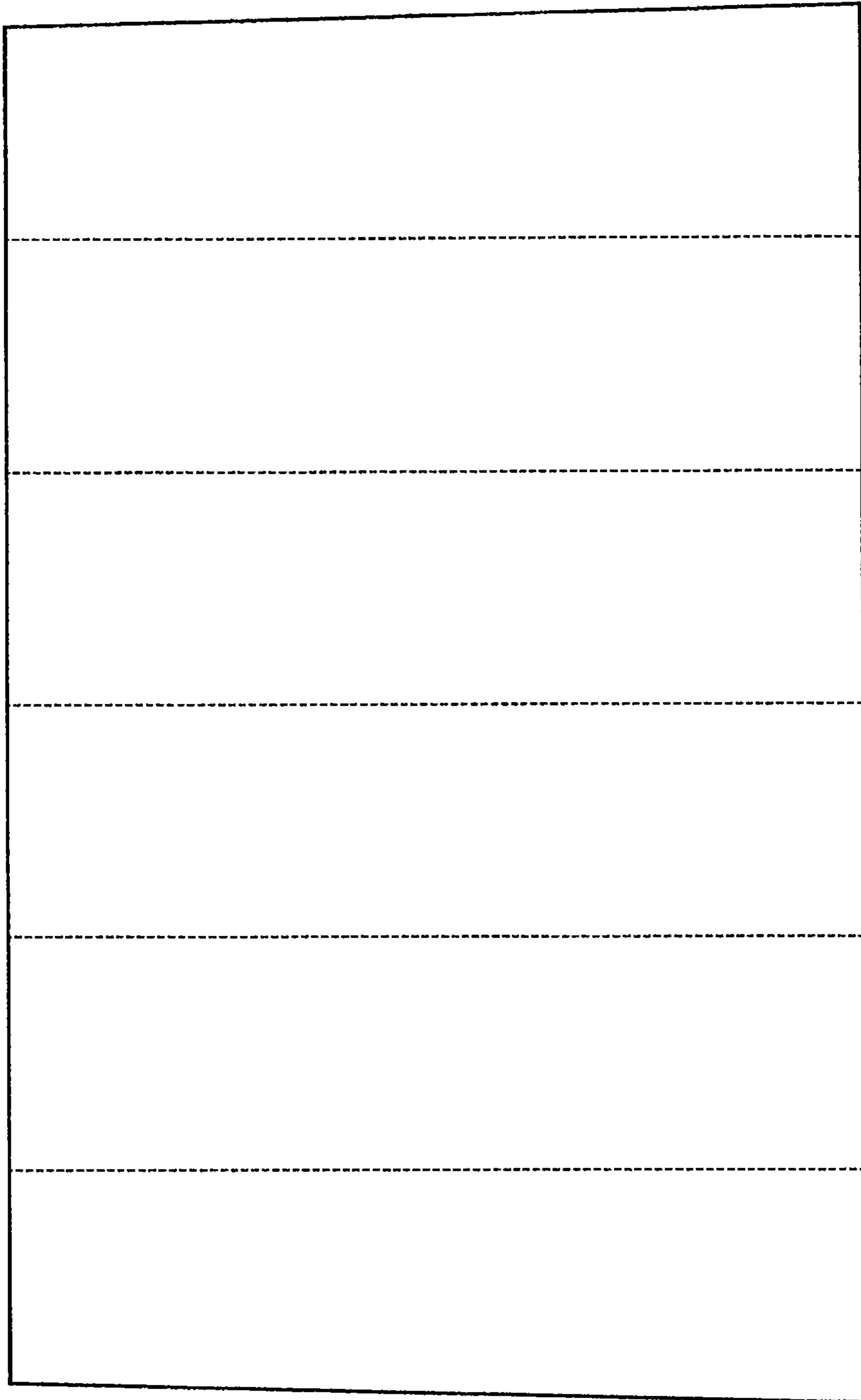


FIG. 8

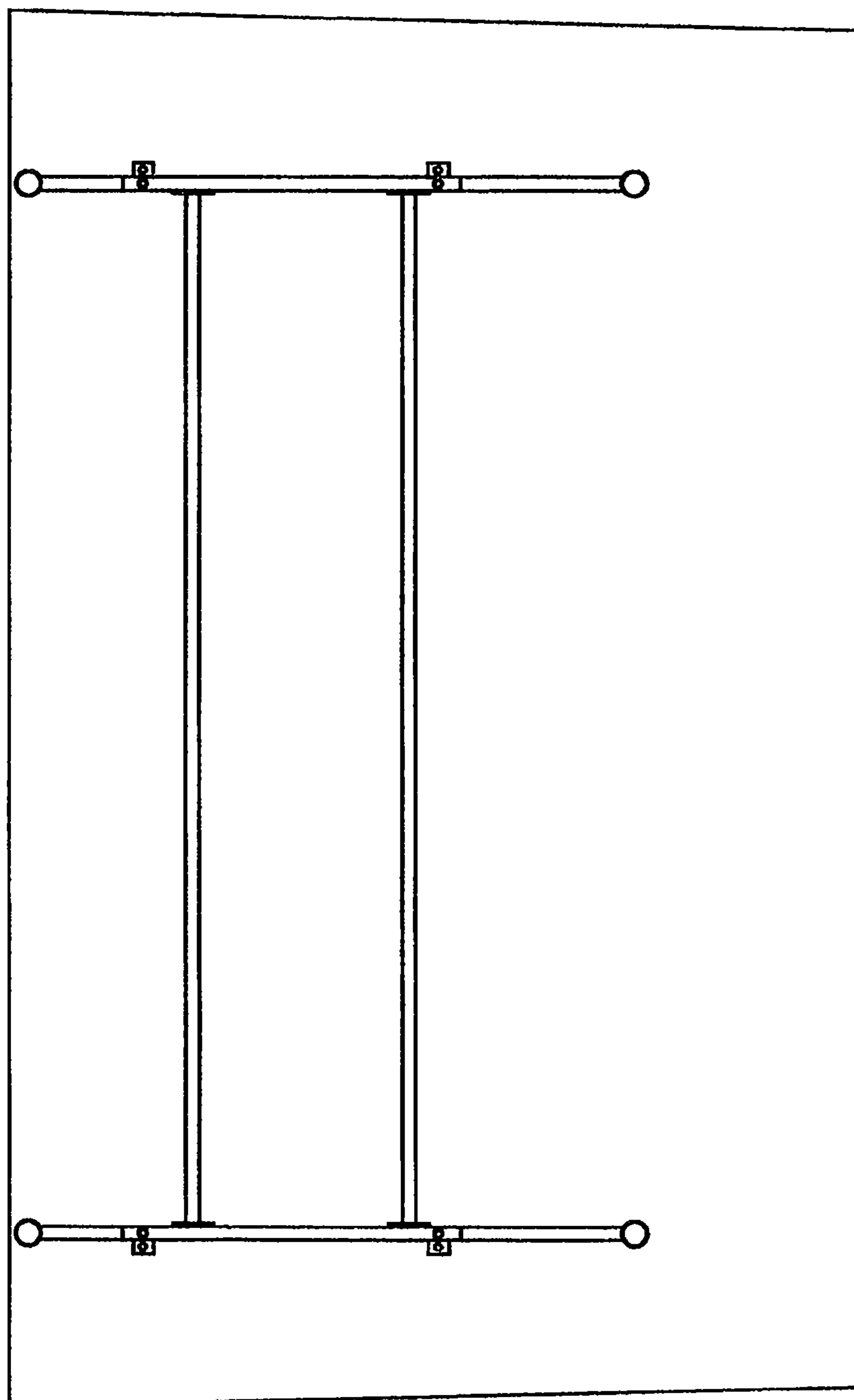


FIG. 9

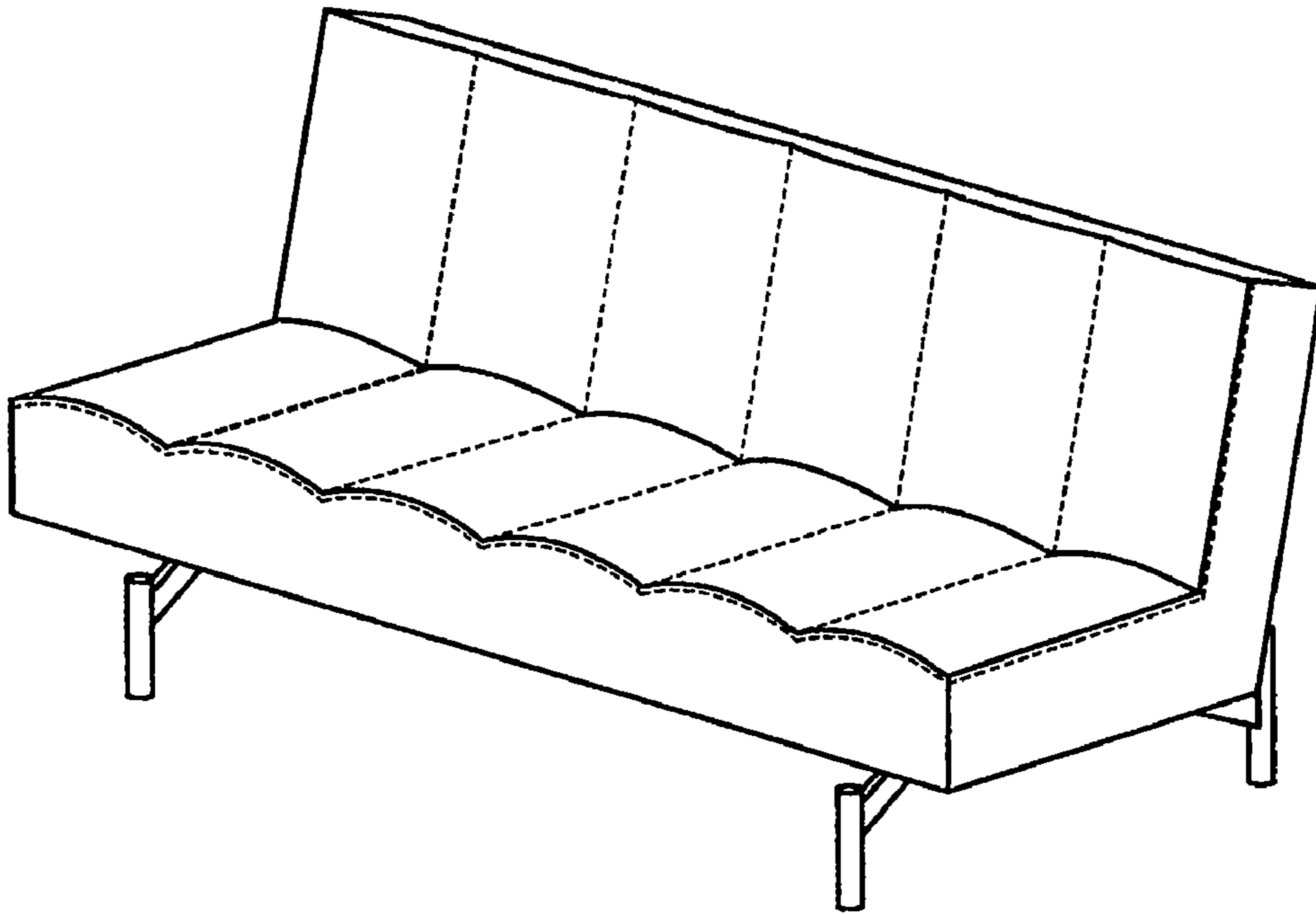


FIG. 10

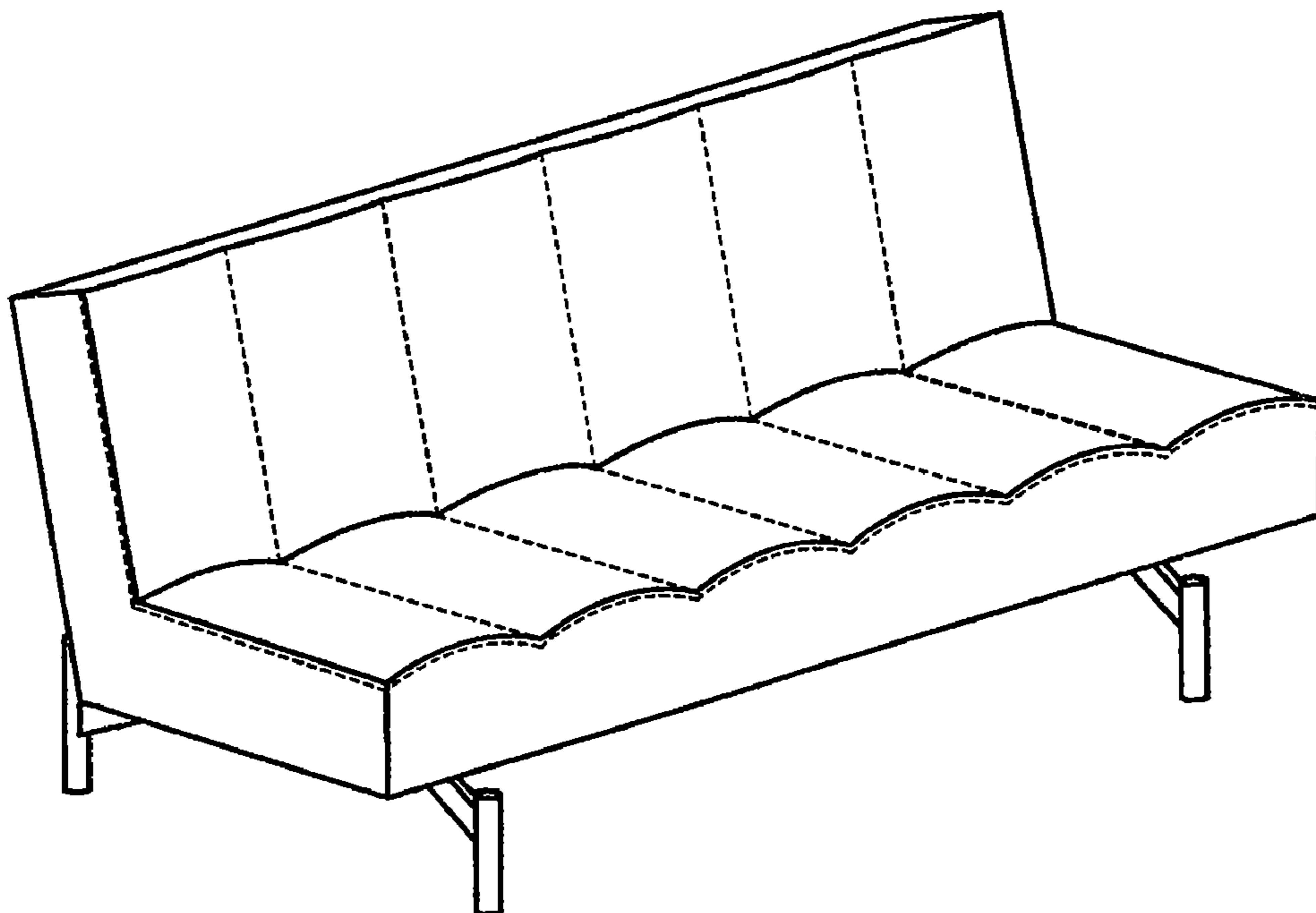


FIG. 11

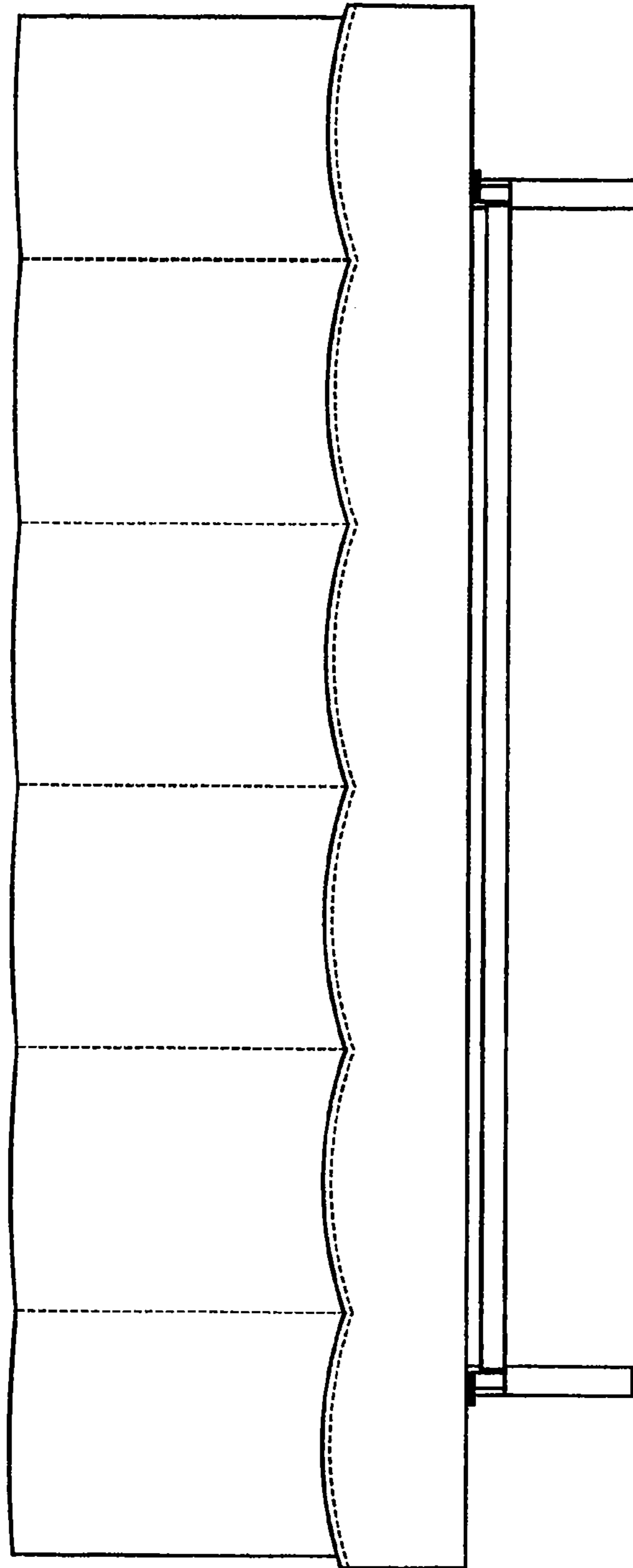


FIG. 12

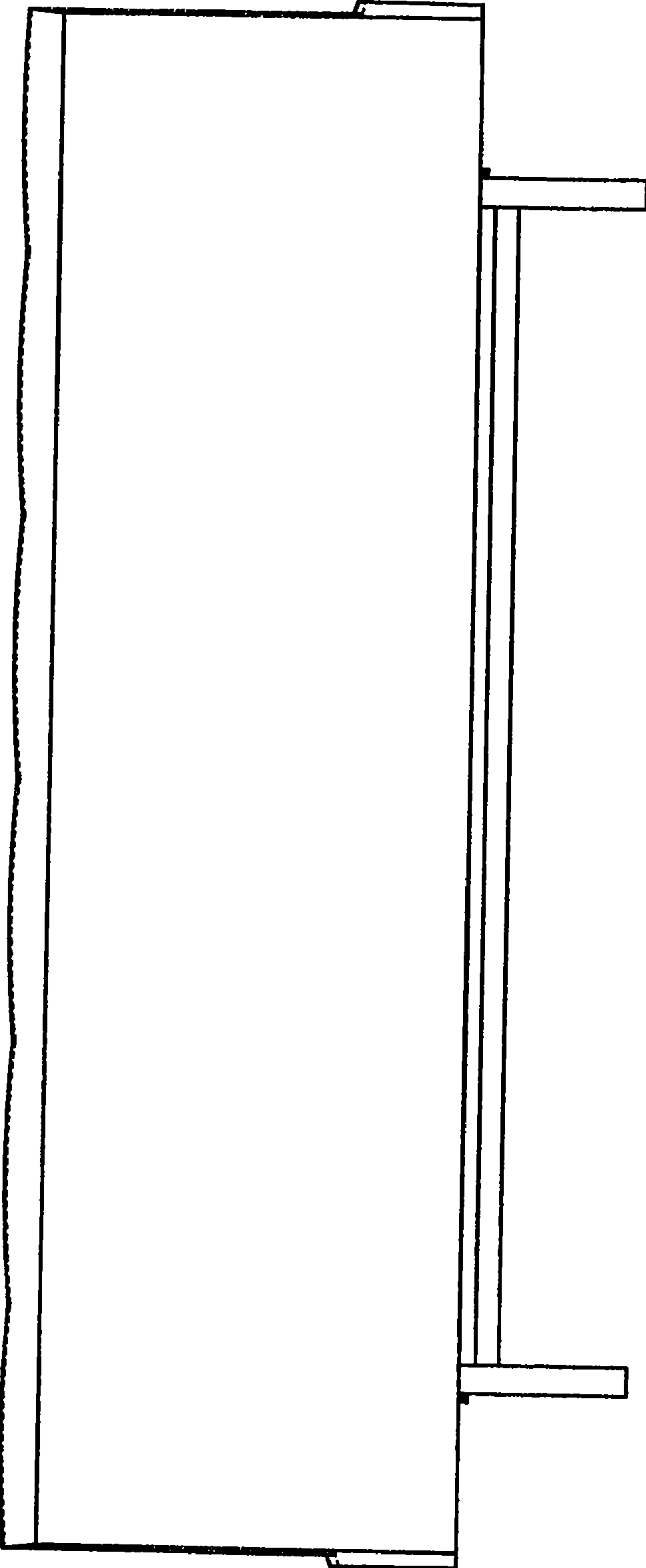


FIG. 13

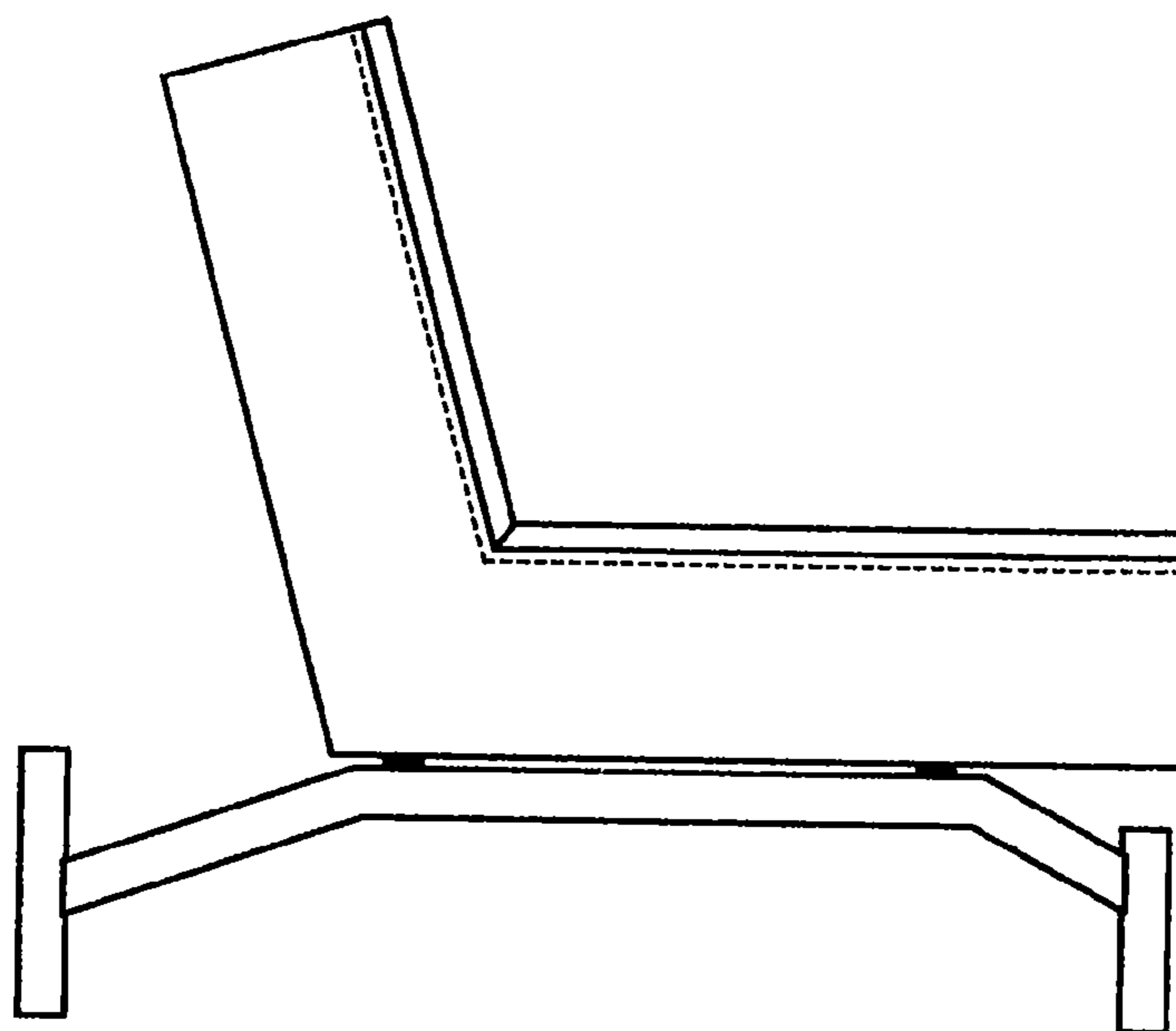


FIG. 14

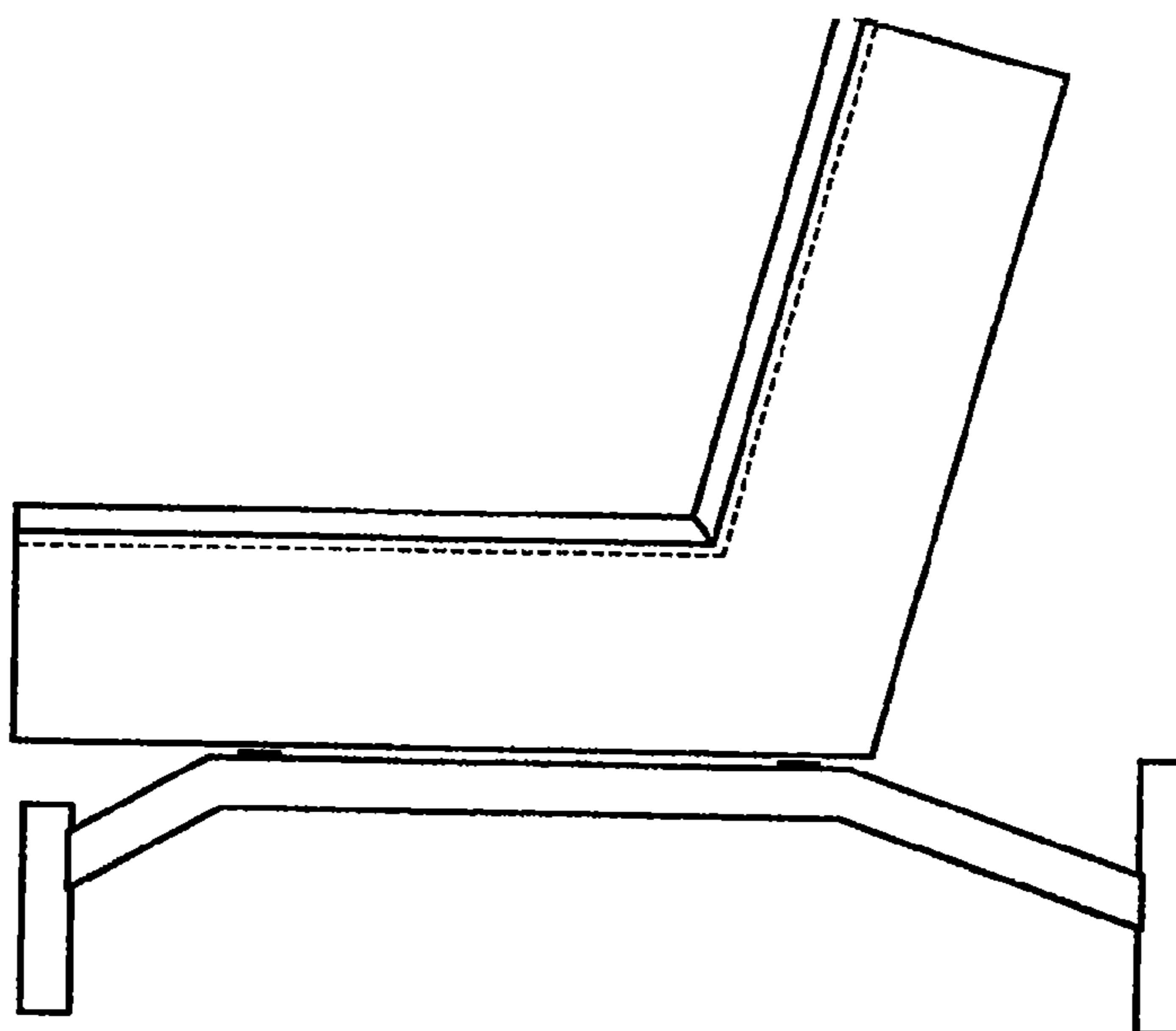


FIG. 15

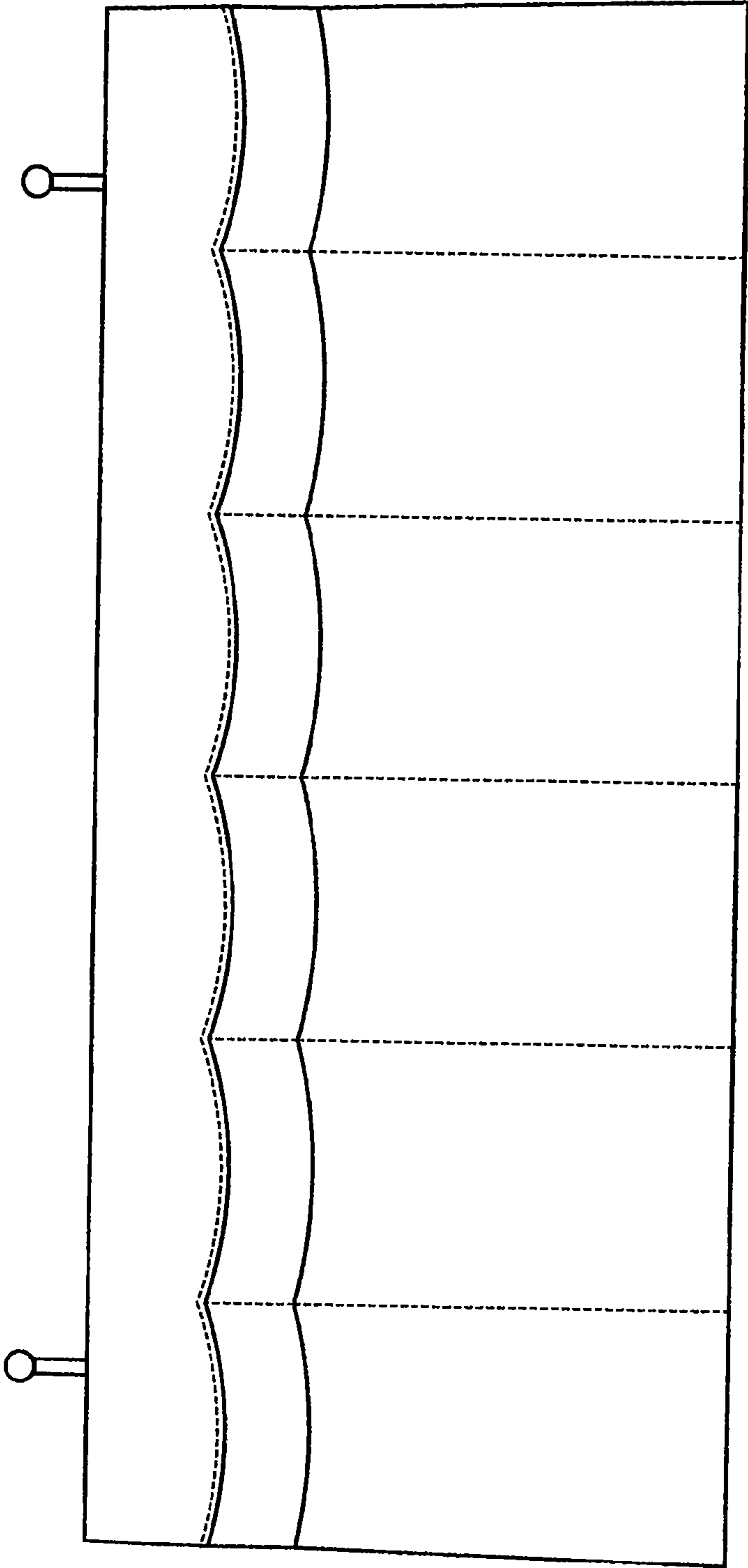


FIG. 16

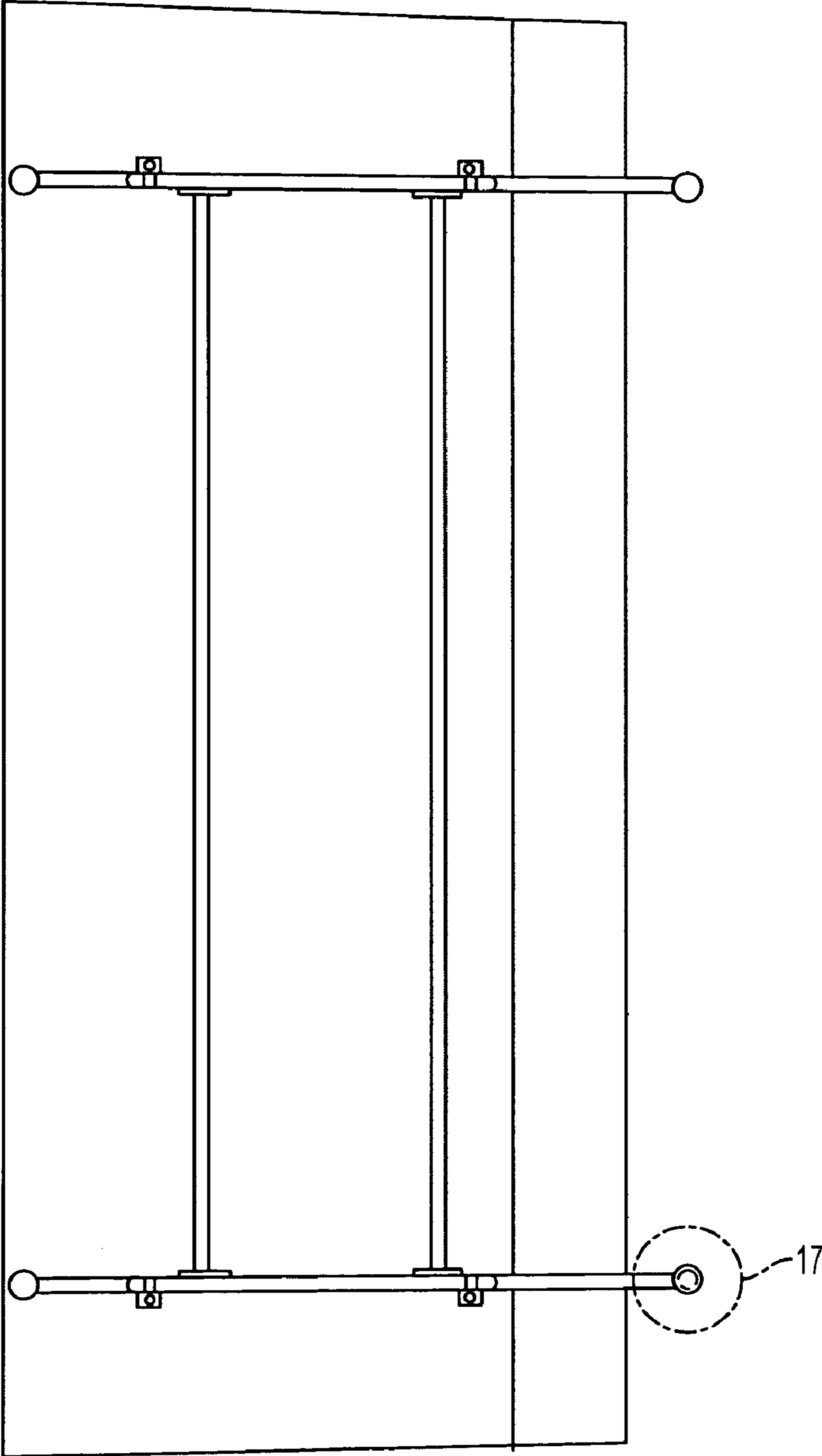


FIG. 17

