



(12) **United States Design Patent**
Weiss

(10) **Patent No.:** **US D603,618 S**
(45) **Date of Patent:** **** Nov. 10, 2009**

- (54) **SOFA**
 - (75) Inventor: **Per Weiss**, Randers (DK)
 - (73) Assignee: **Innovation U.S.A., Inc.**, Hanover, MD (US)
 - (**) Term: **14 Years**
 - (21) Appl. No.: **29/324,649**
 - (22) Filed: **Sep. 17, 2008**
 - (30) **Foreign Application Priority Data**
Apr. 14, 2008 (CN) 200830123413.4
 - (51) **LOC (9) Cl.** **06-01**
 - (52) **U.S. Cl.** **D6/381**
 - (58) **Field of Classification Search** D6/334,
D6/349, 355, 364, 370, 374, 378, 381, 382,
D6/383, 491, 495, 500–503; 297/68, 232,
297/233, 353, 445.1, 448.1, 448.2, DIG. 7;
5/12.1, 12.2
- See application file for complete search history.

- (56) **References Cited**
U.S. PATENT DOCUMENTS
D169,911 S * 6/1953 Netzer D6/381

(Continued)

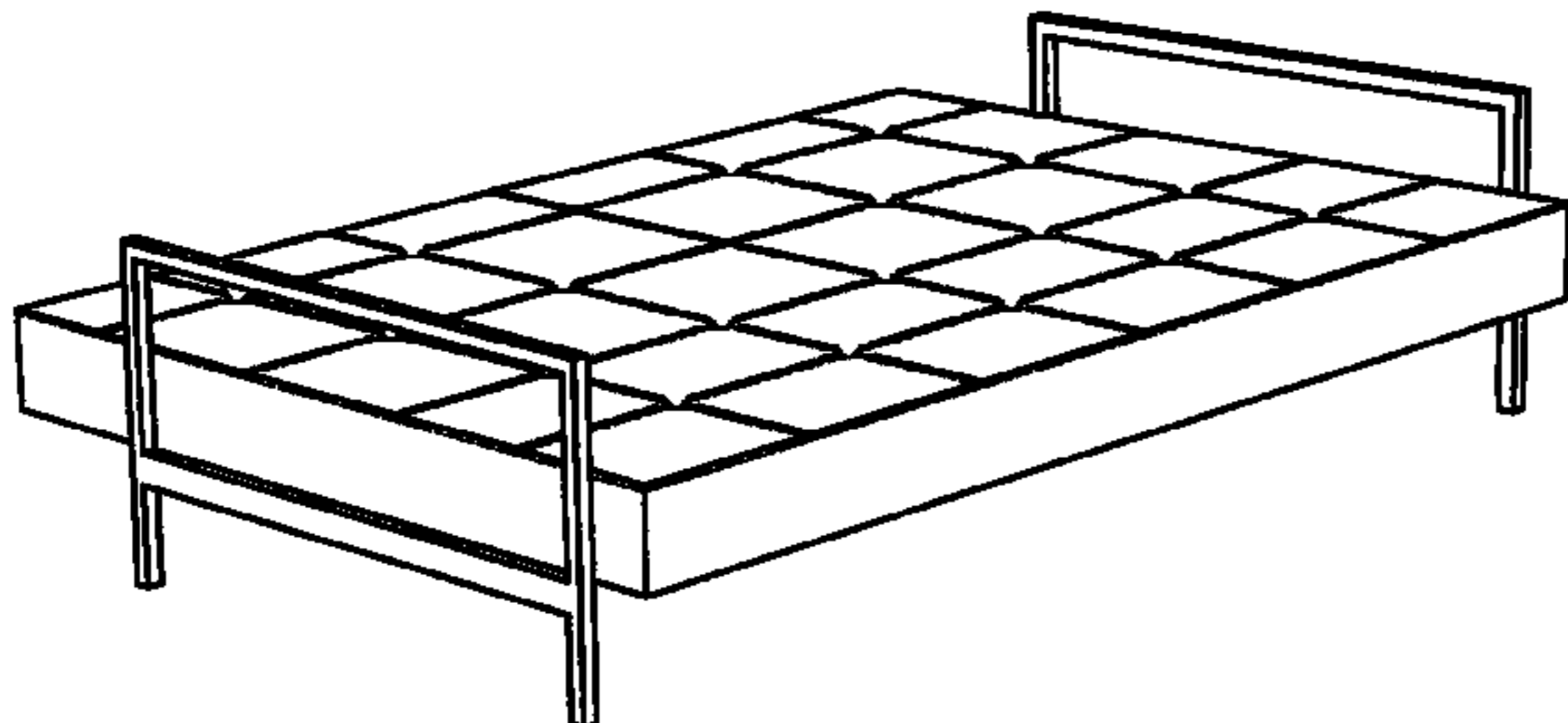
Primary Examiner—Sandra Snapp
(74) *Attorney, Agent, or Firm*—Miles & Stockbridge P.C.;
James T. Carmichael, Esq.; Michael A. Minter, Esq.

(57) **CLAIM**

The ornamental design for a sofa, as shown and described.

DESCRIPTION

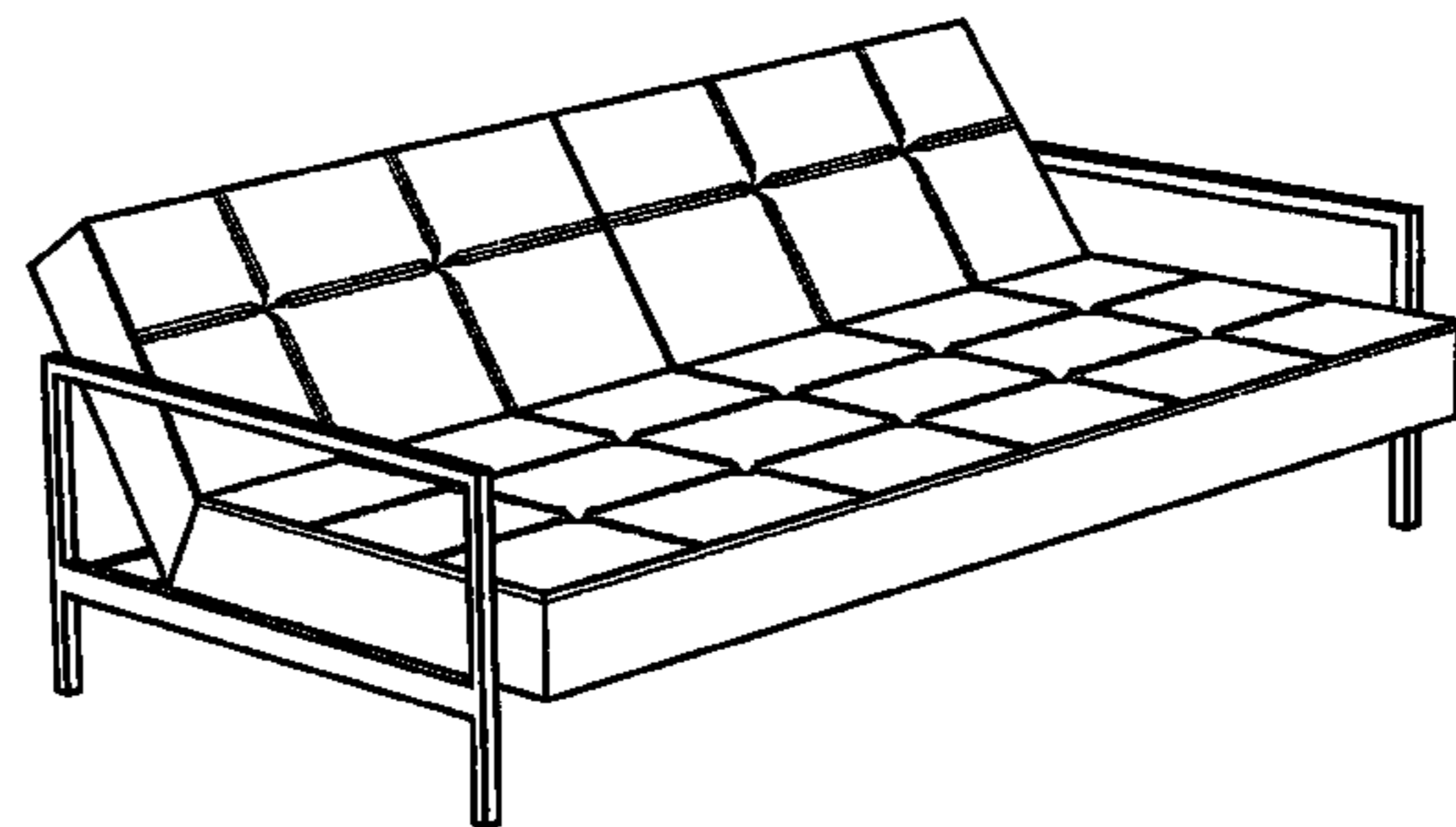
- FIG. 1 is a front left perspective view of the sofa shown in a fully reclined position;
- FIG. 2 is a front right perspective view thereof;
- FIG. 3 is a bottom plan view thereof;
- FIG. 4 is a top plan view thereof;
- FIG. 5 is a front view thereof;



- FIG. 6 is a rear view thereof;
- FIG. 7 is a left side view thereof;
- FIG. 8 is a right side view thereof;
- FIG. 9 is a front left perspective view thereof in a slightly inclined position;
- FIG. 10 is a front right perspective view thereof in the slightly inclined position;
- FIG. 11 is a bottom plan view thereof in the slightly inclined position;
- FIG. 12 is a top plan view thereof in the slightly inclined position;
- FIG. 13 is a front view thereof in the slightly inclined position;
- FIG. 14 is a rear view thereof in the slightly inclined position;
- FIG. 15 is a left side view thereof in the slightly inclined position;
- FIG. 16 is a right side view thereof in the slightly inclined position;
- FIG. 17 is a front left perspective view thereof in a highly inclined position;
- FIG. 18 is a front right perspective view thereof in the highly inclined position;
- FIG. 19 is a bottom plan view thereof in the highly inclined position;
- FIG. 20 is a top plan view thereof in the highly inclined position;
- FIG. 21 is a front view thereof in the highly inclined position;
- FIG. 22 is a rear view thereof in the highly inclined position;
- FIG. 23 is a left side view thereof in the highly inclined position; and,
- FIG. 24 is a right side view thereof in the highly inclined position.

The dashed lines shown on the article represent topstitching. The dot-dashed lines shown in the drawings are for illustrative purposes only and form no part of the claimed design.

1 Claim, 17 Drawing Sheets



US D603,618 S

Page 2

U.S. PATENT DOCUMENTS

D170,088 S *	7/1953	Hoffman	D6/381	D443,989 S *	6/2001	Gomez	D6/335
D170,122 S *	8/1953	Jorgensen	D6/381	D444,305 S *	7/2001	Mourgue	D6/335
D175,877 S *	10/1955	Bartolucci	D6/381	D446,962 S *	8/2001	Mourgue	D6/381
2,979,122 A *	4/1961	Knoll	297/446.1	D455,281 S *	4/2002	Andersen et al.	D6/381
3,751,739 A *	8/1973	Assmann	5/12.1	D455,282 S *	4/2002	Andersen et al.	D6/381
4,110,855 A *	9/1978	Acker	5/45	D463,689 S *	10/2002	Pathiratne	D6/492
4,292,698 A *	10/1981	Acker	5/45	D490,996 S *	6/2004	Weiss et al.	D6/381
D269,057 S *	5/1983	Schatz et al.	D6/335	D498,075 S *	11/2004	Mourgue	D6/381
D272,968 S *	3/1984	Fairaizen	D6/381	D569,123 S *	5/2008	Roos et al.	D6/381
D273,254 S *	4/1984	Fairaizen	D6/335	D583,585 S *	12/2008	Weiss	D6/381
5,137,332 A *	8/1992	Gualtierotti et al.	297/440.15	D591,071 S *	4/2009	Weiss	D6/381
5,628,076 A *	5/1997	Newton	5/37.1	D591,970 S *	5/2009	Weiss	D6/381

* cited by examiner

FIG. 1

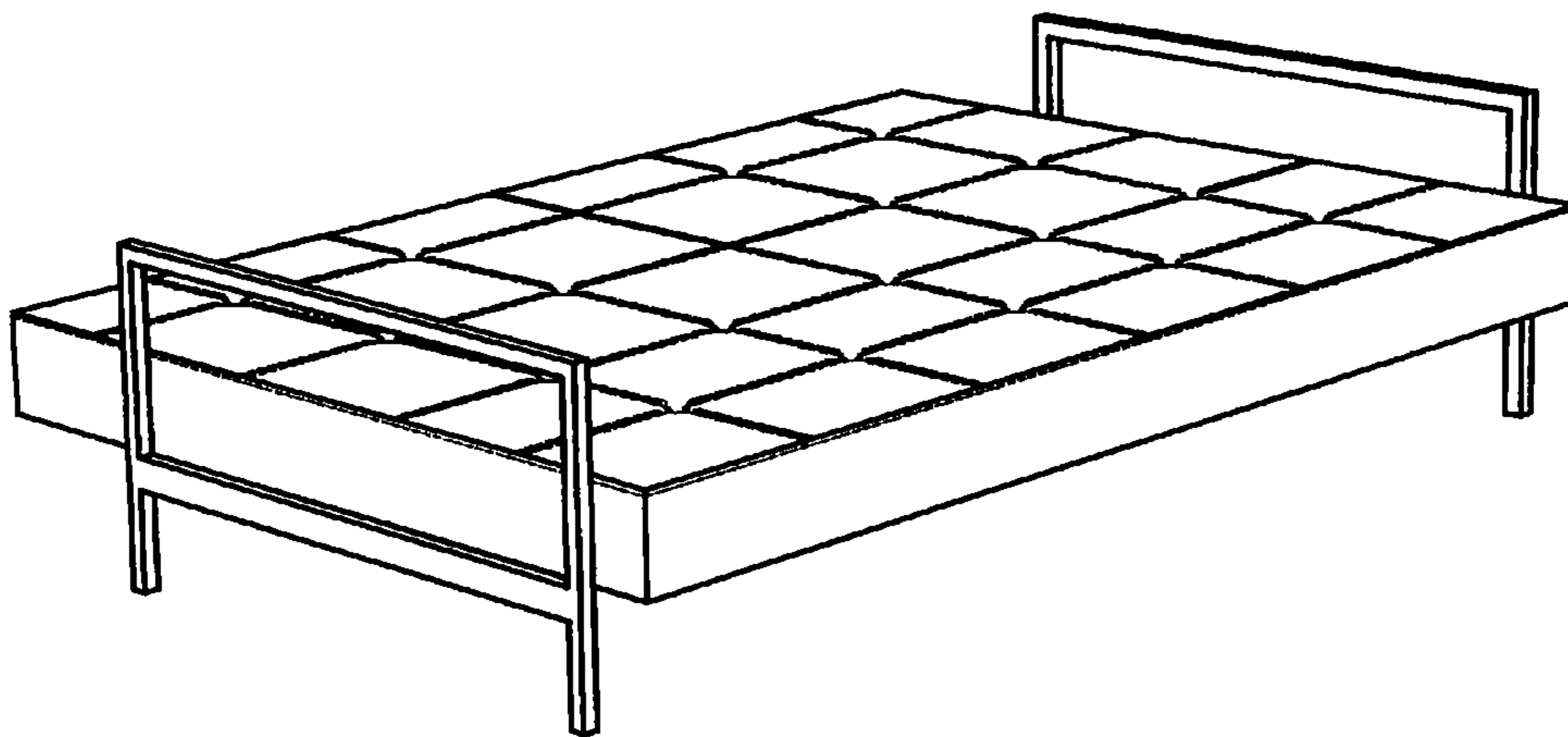


FIG. 2

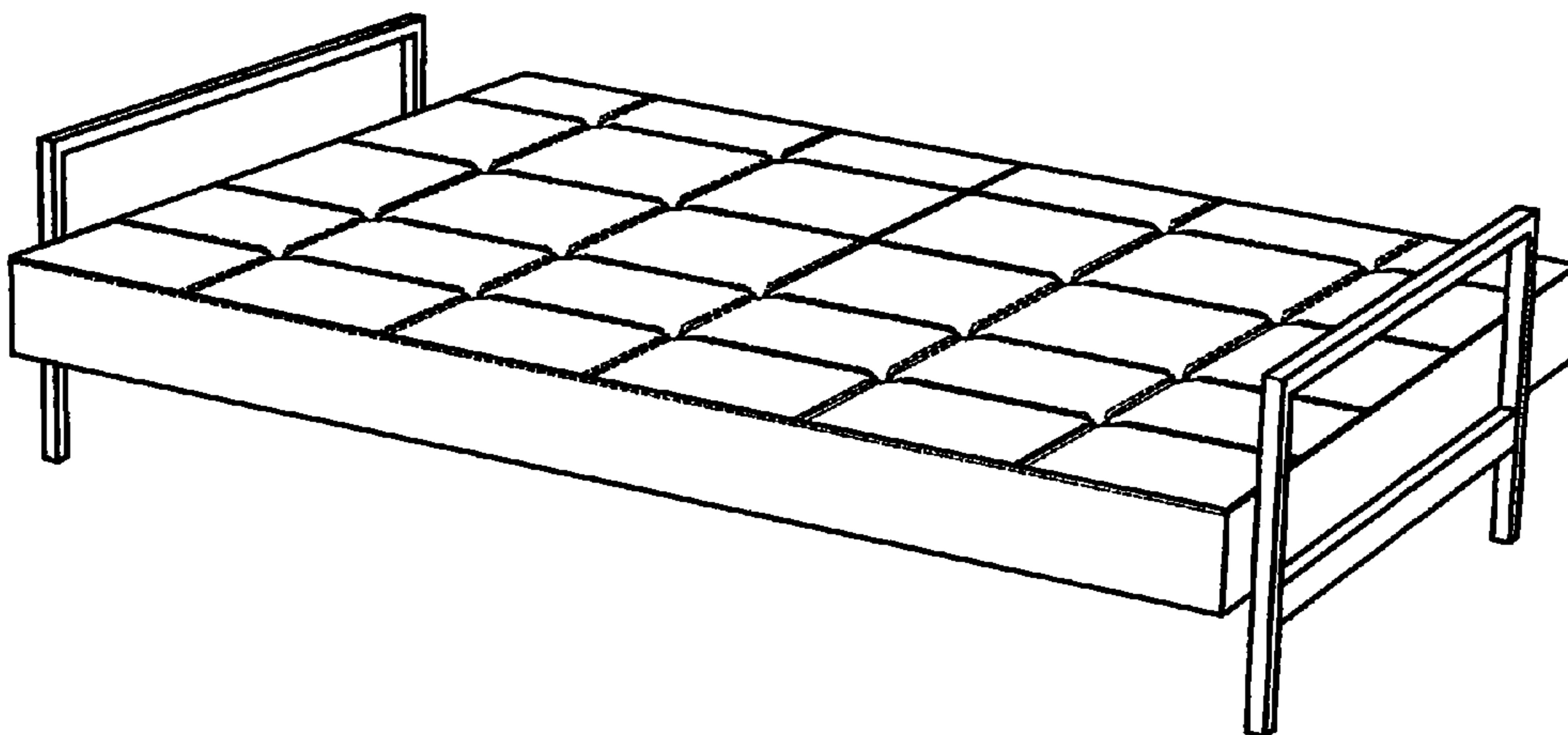


FIG. 3

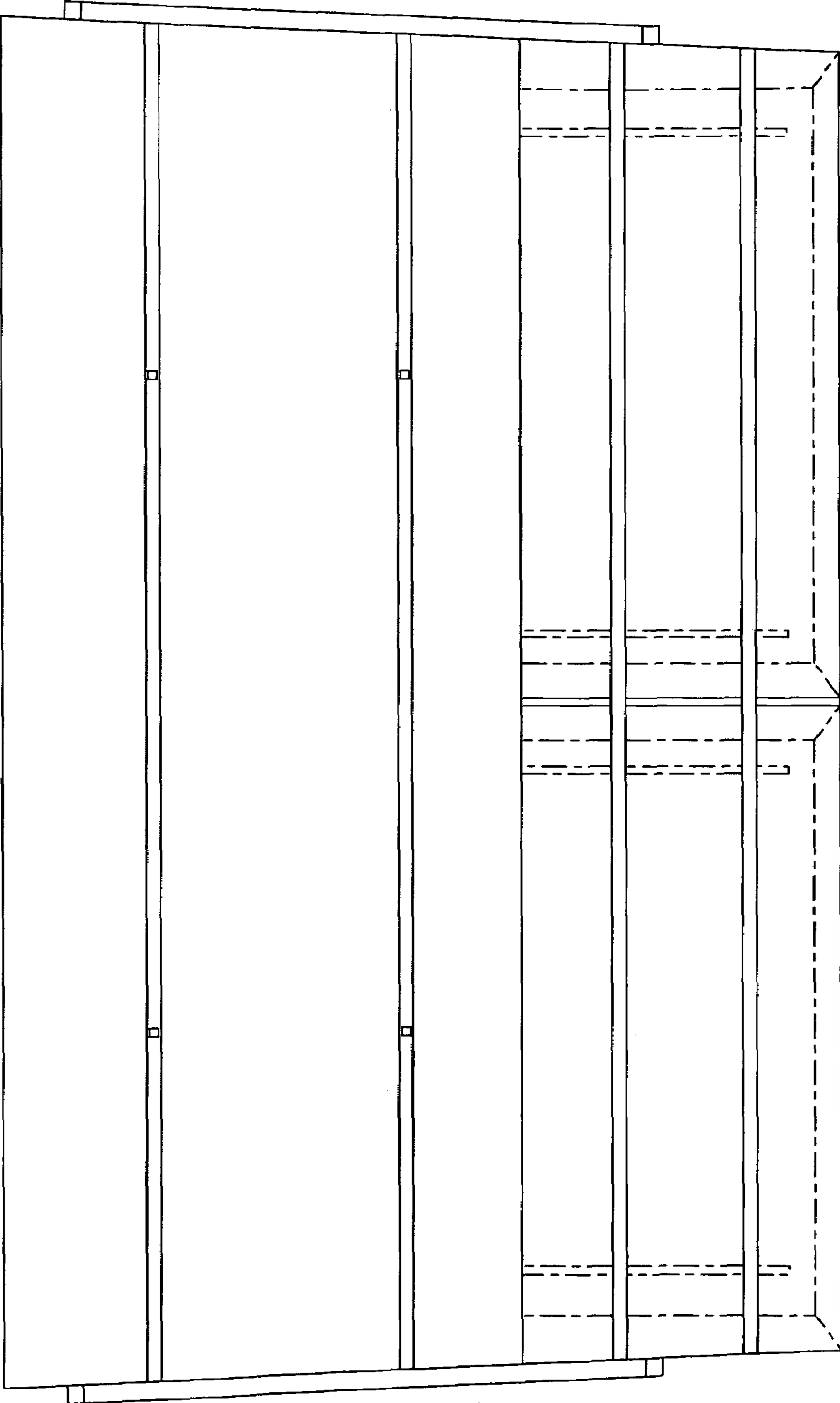


FIG. 4

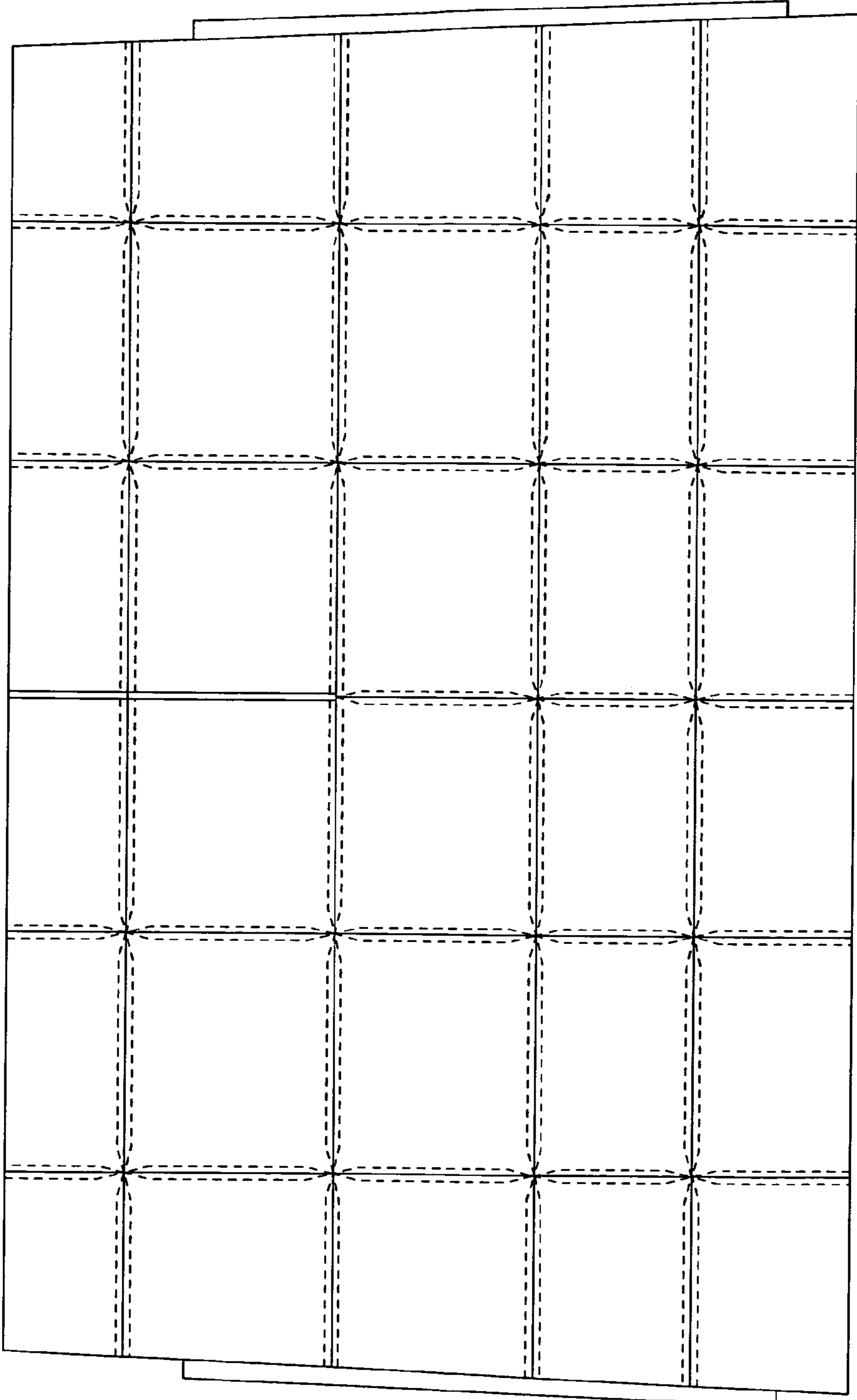


FIG. 5

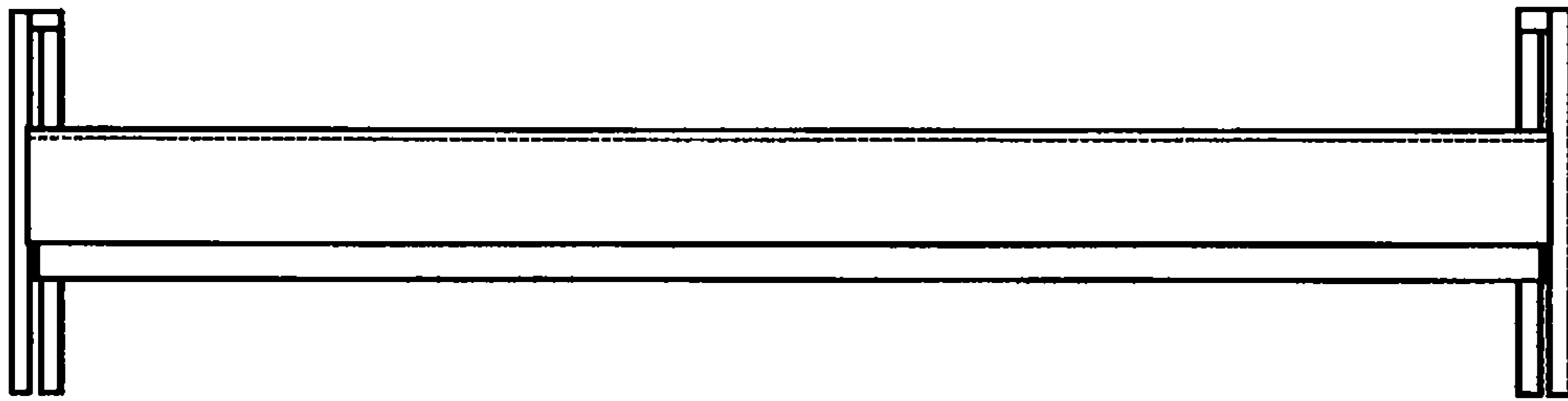


FIG. 6

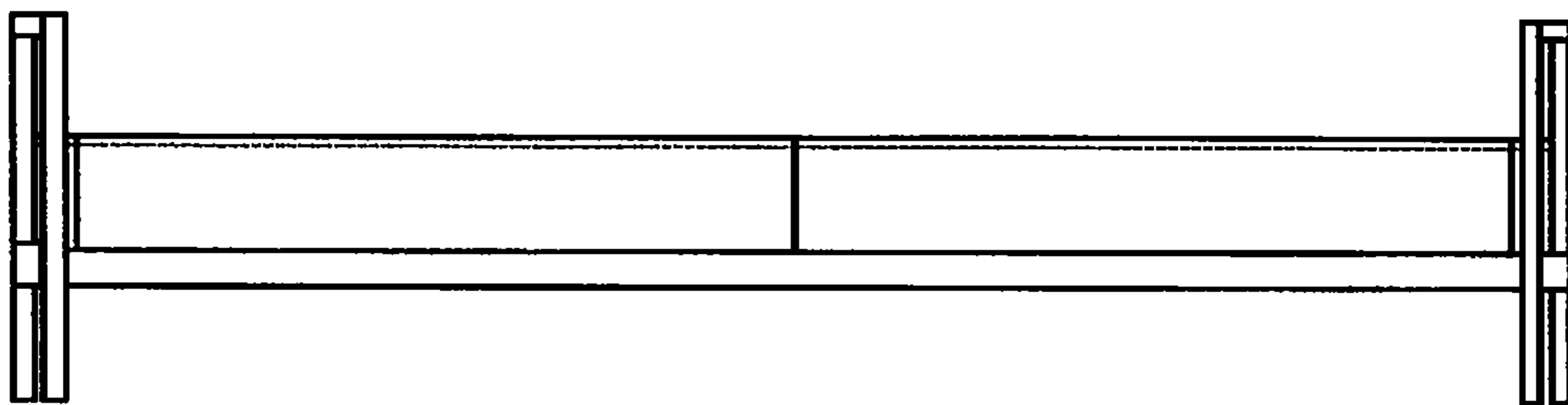


FIG. 7

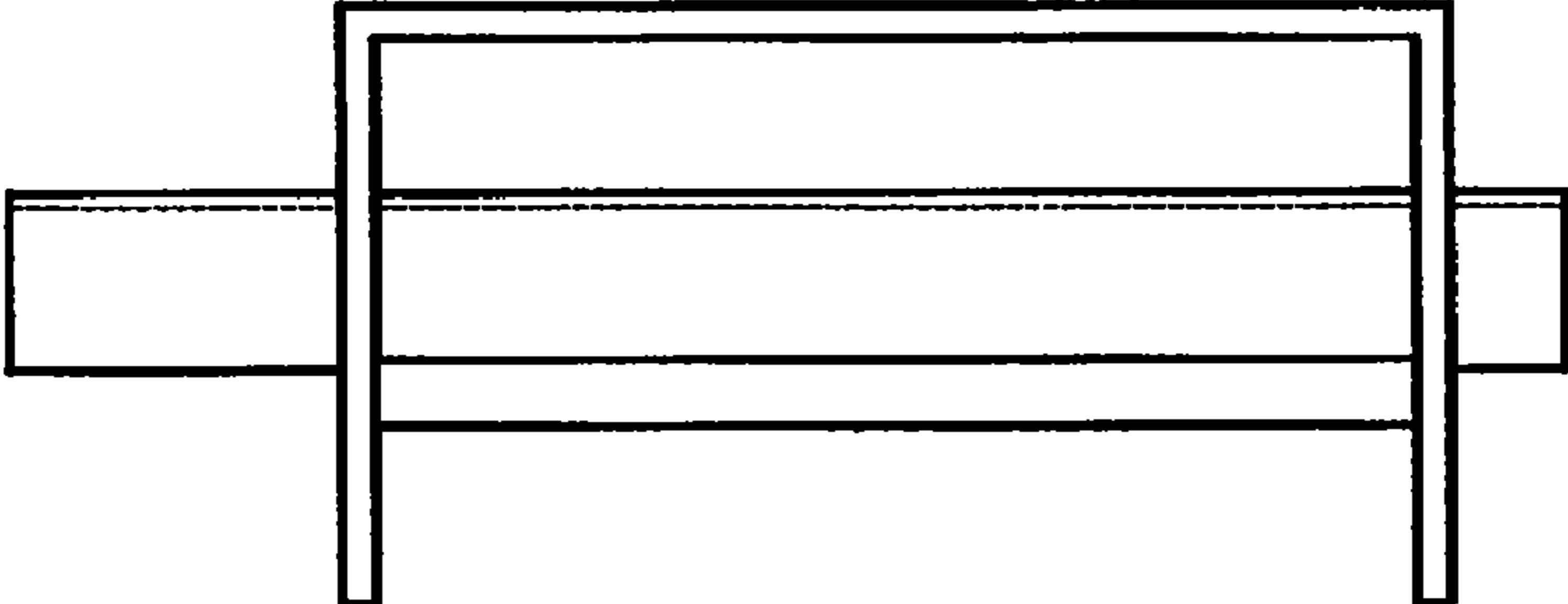


FIG. 8

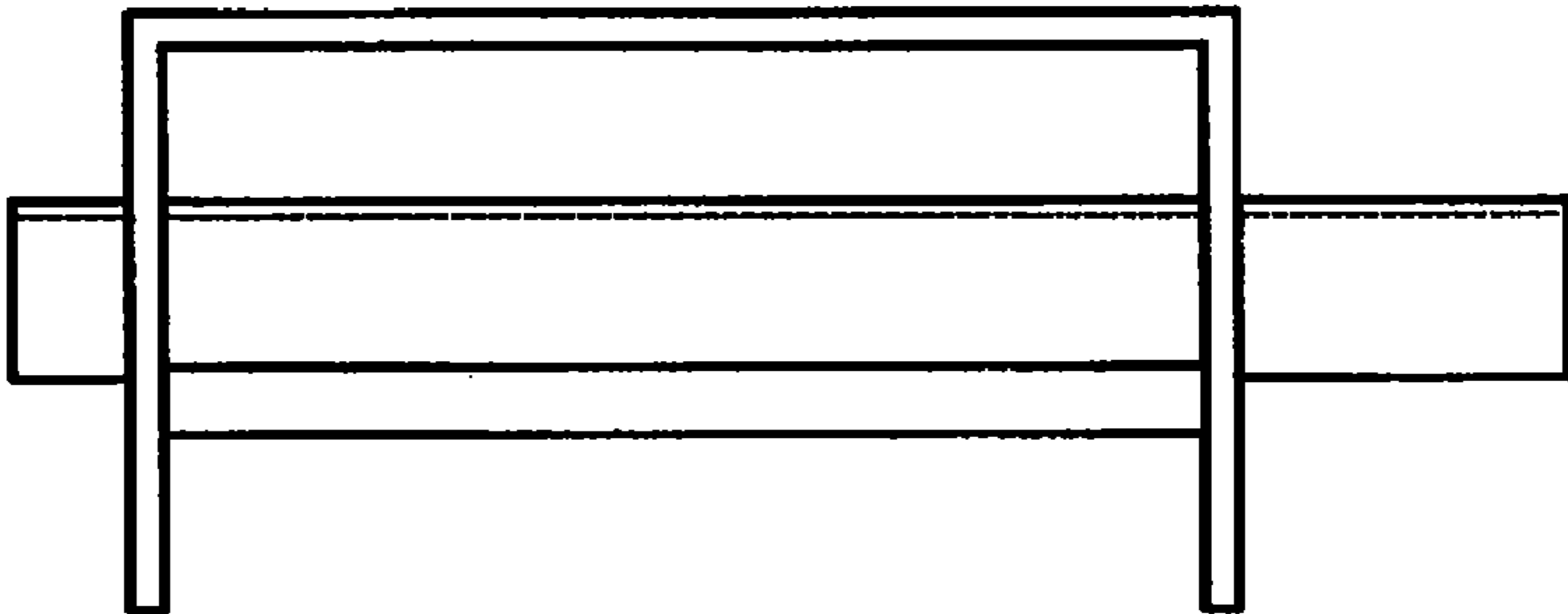


FIG. 9

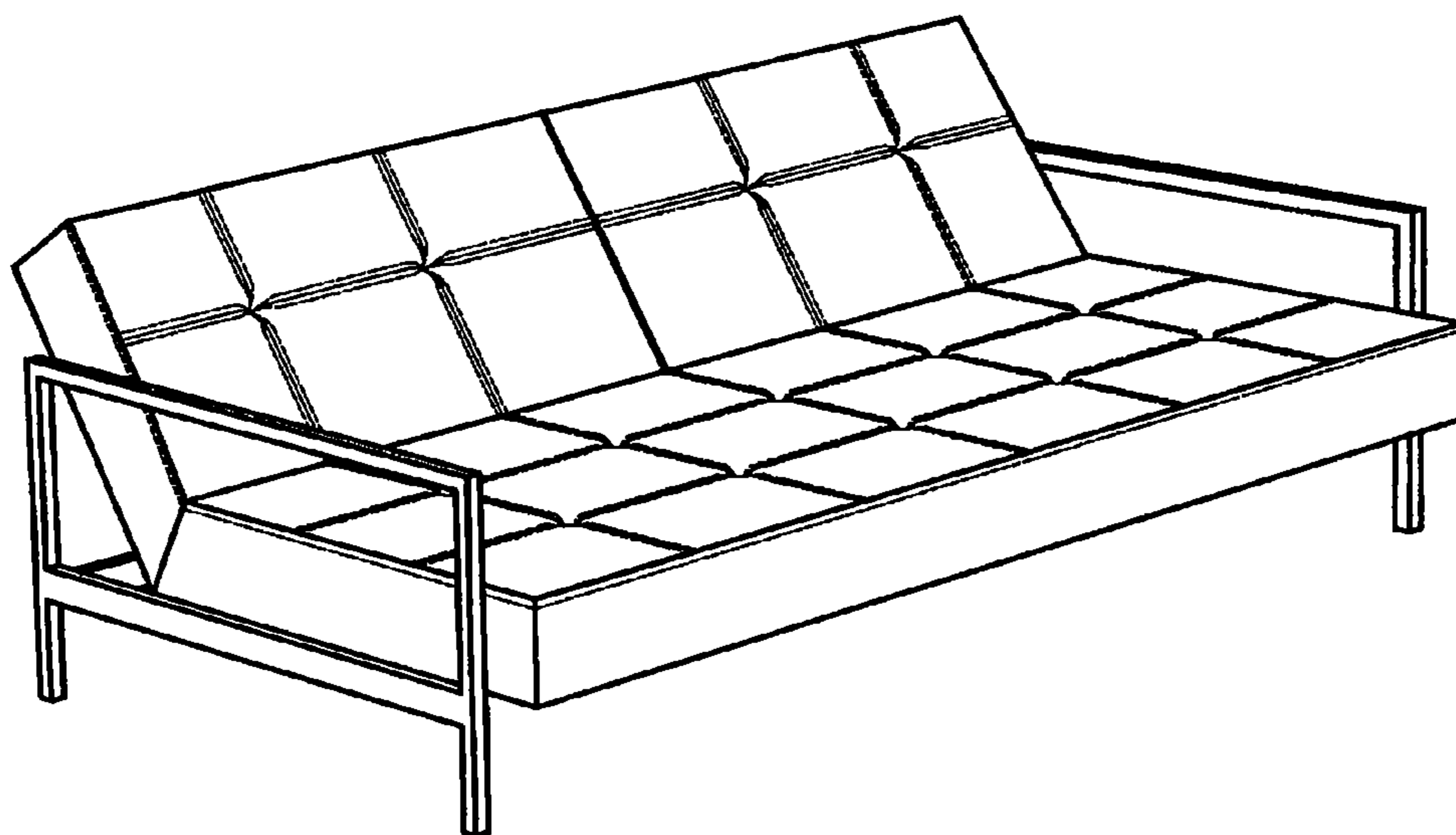


FIG. 10

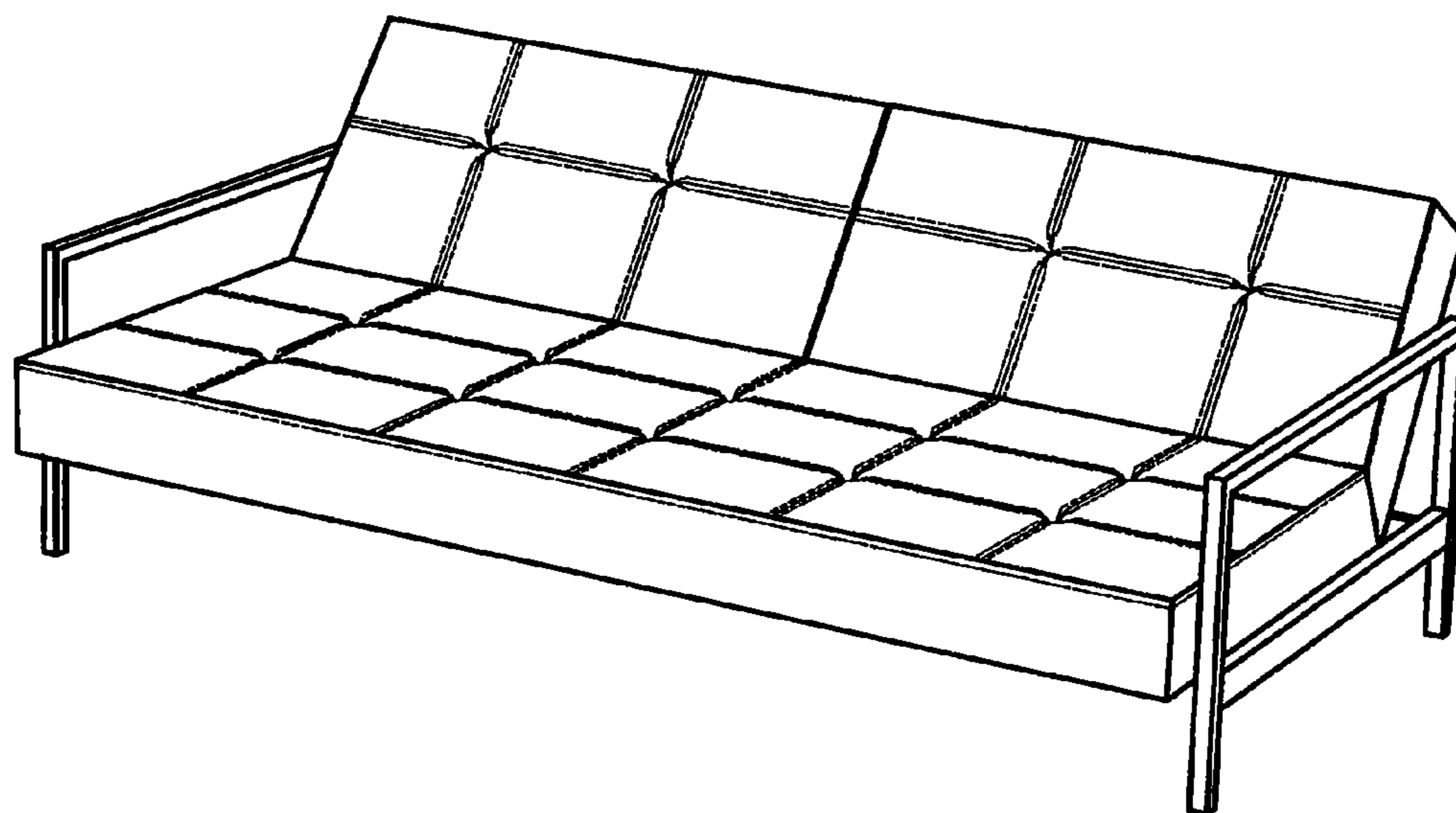


FIG. 11

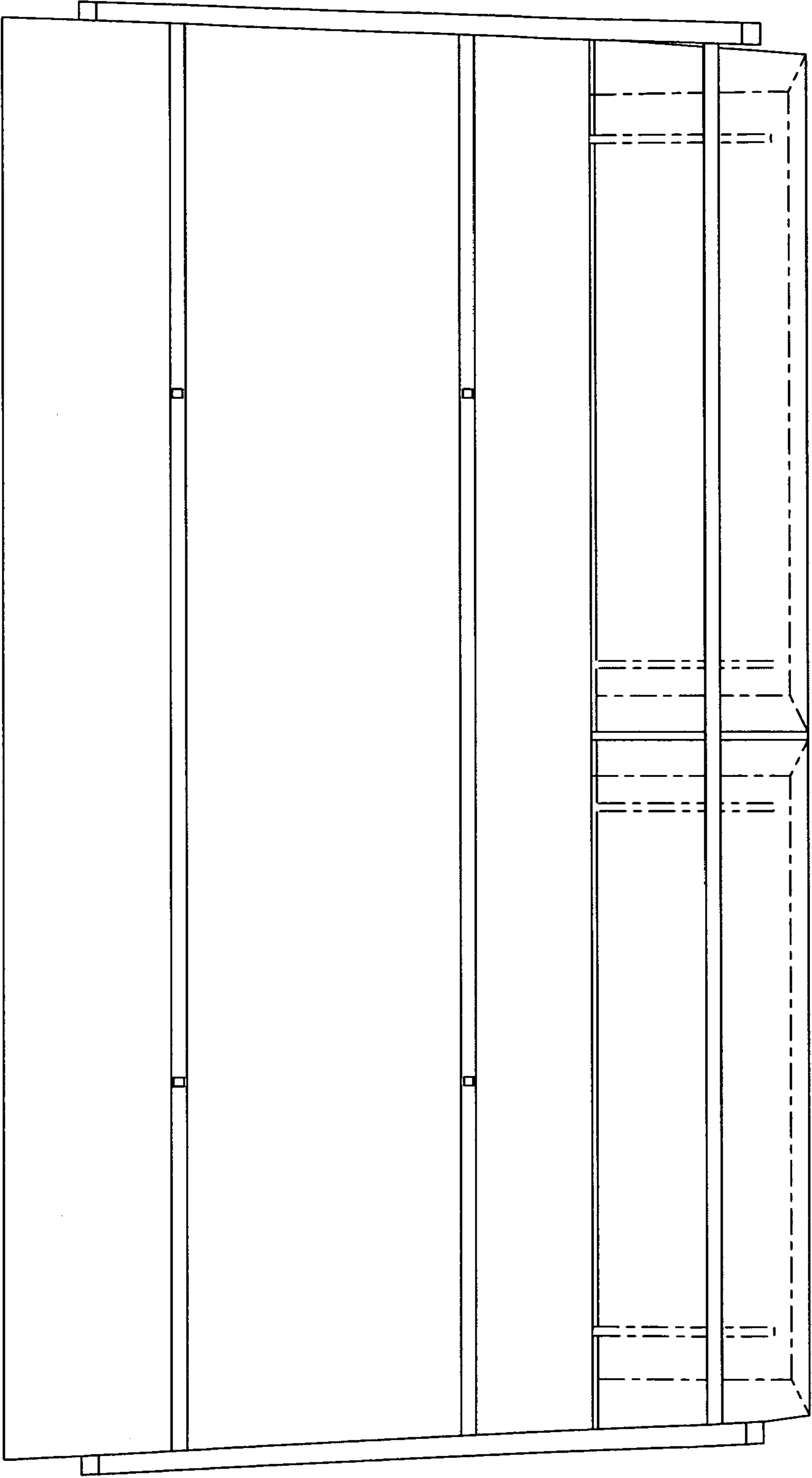


FIG. 12

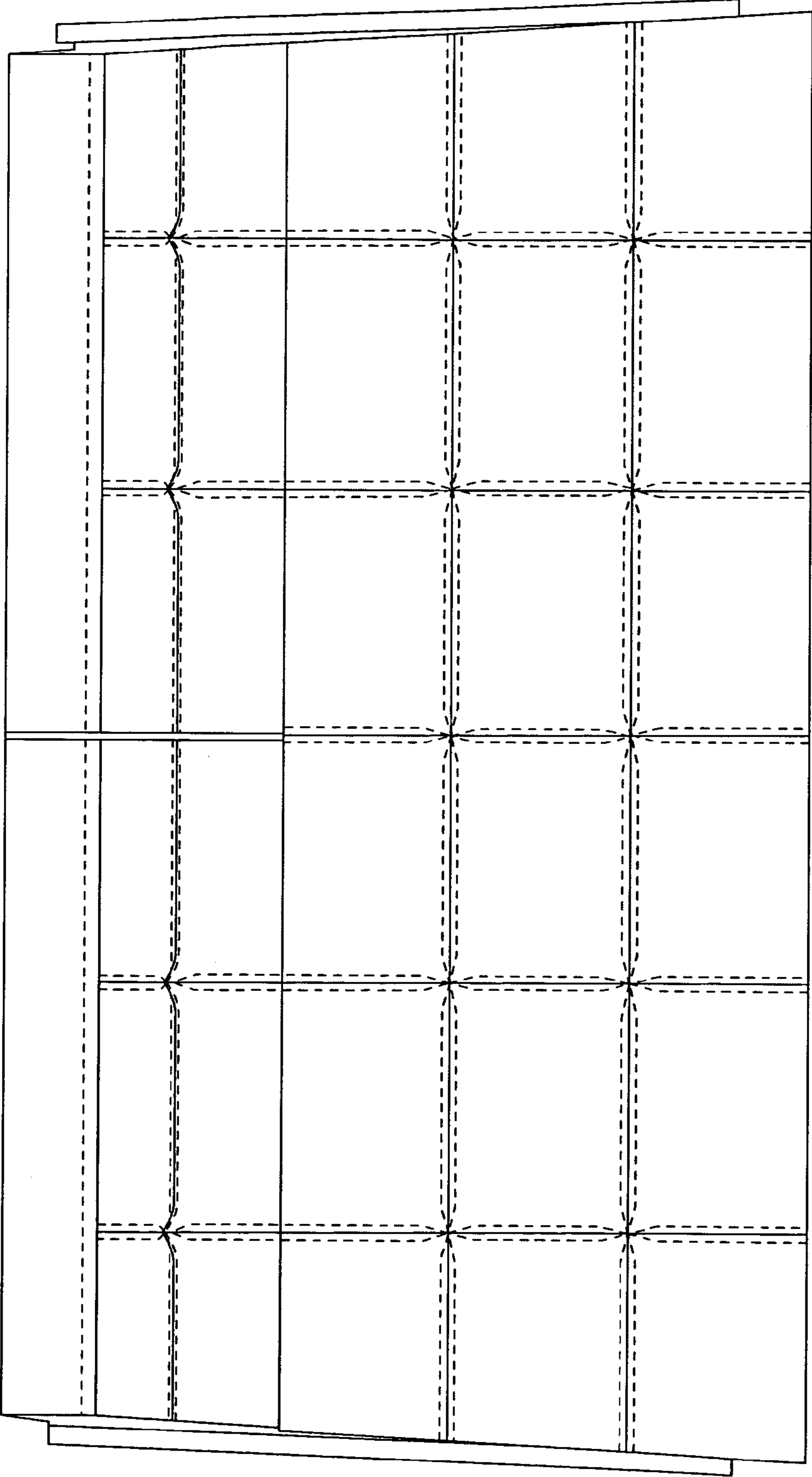


FIG. 13

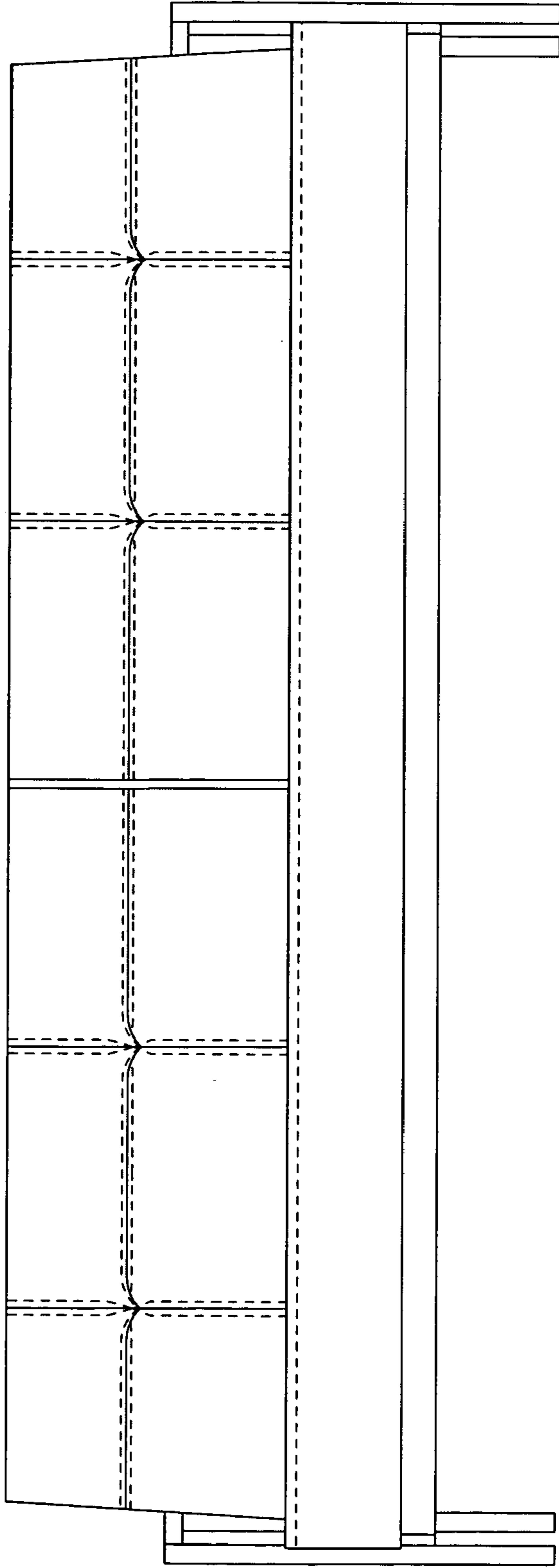


FIG. 14

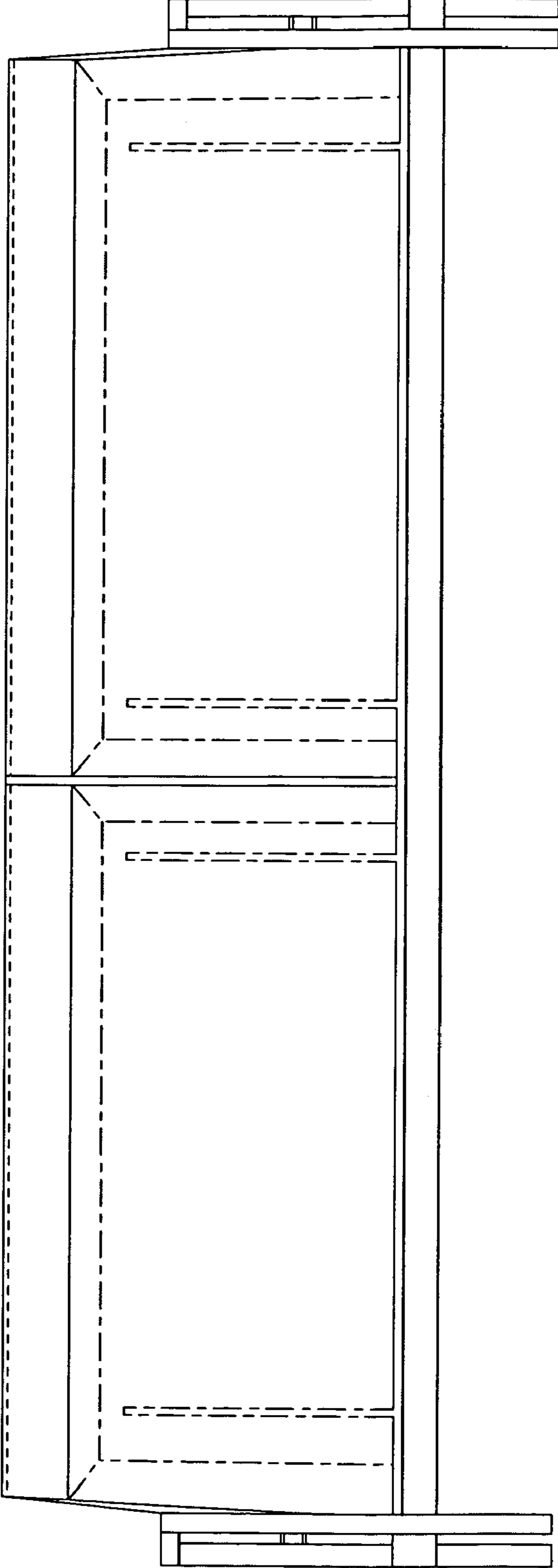


FIG. 15

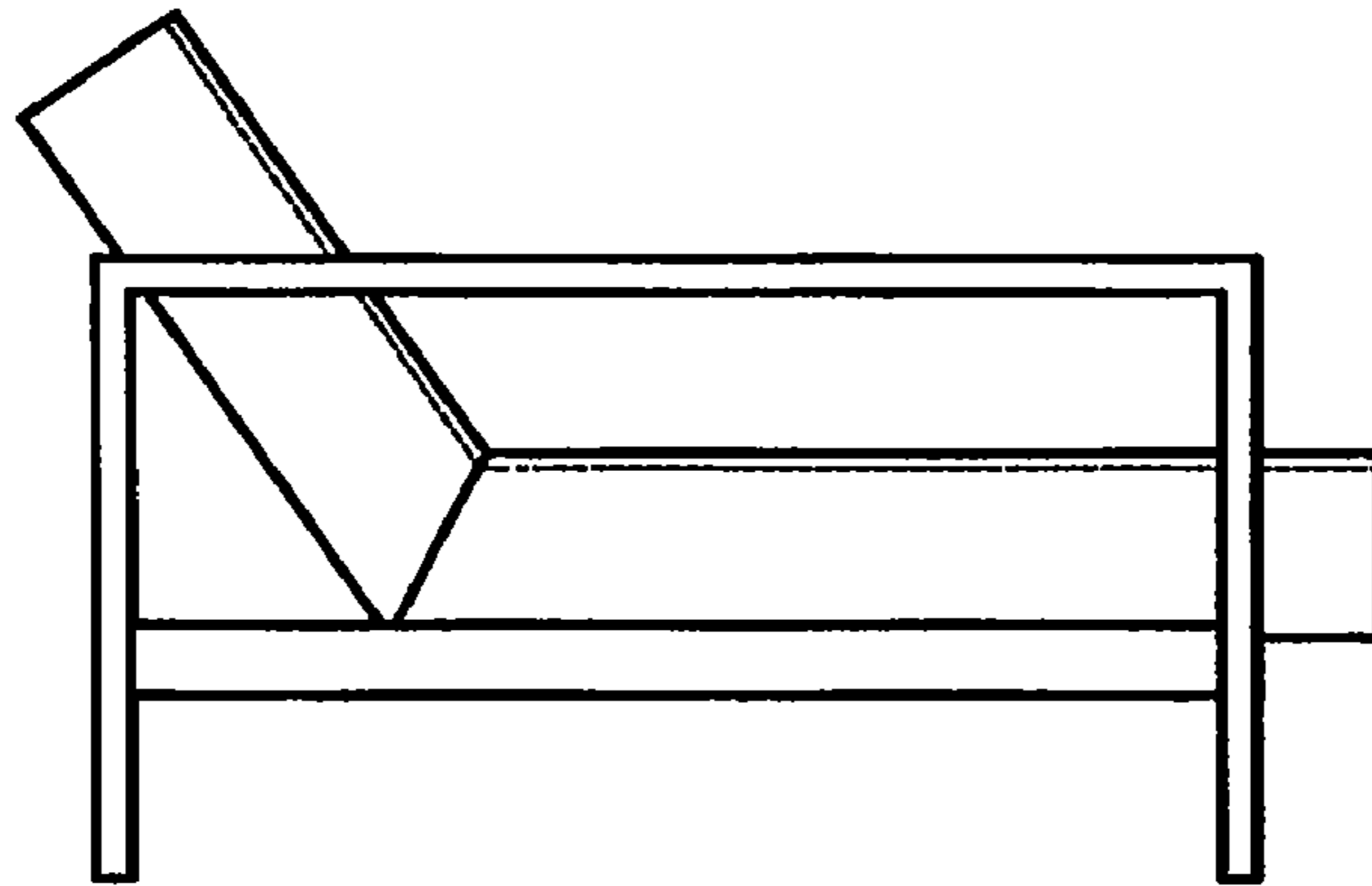


FIG. 16

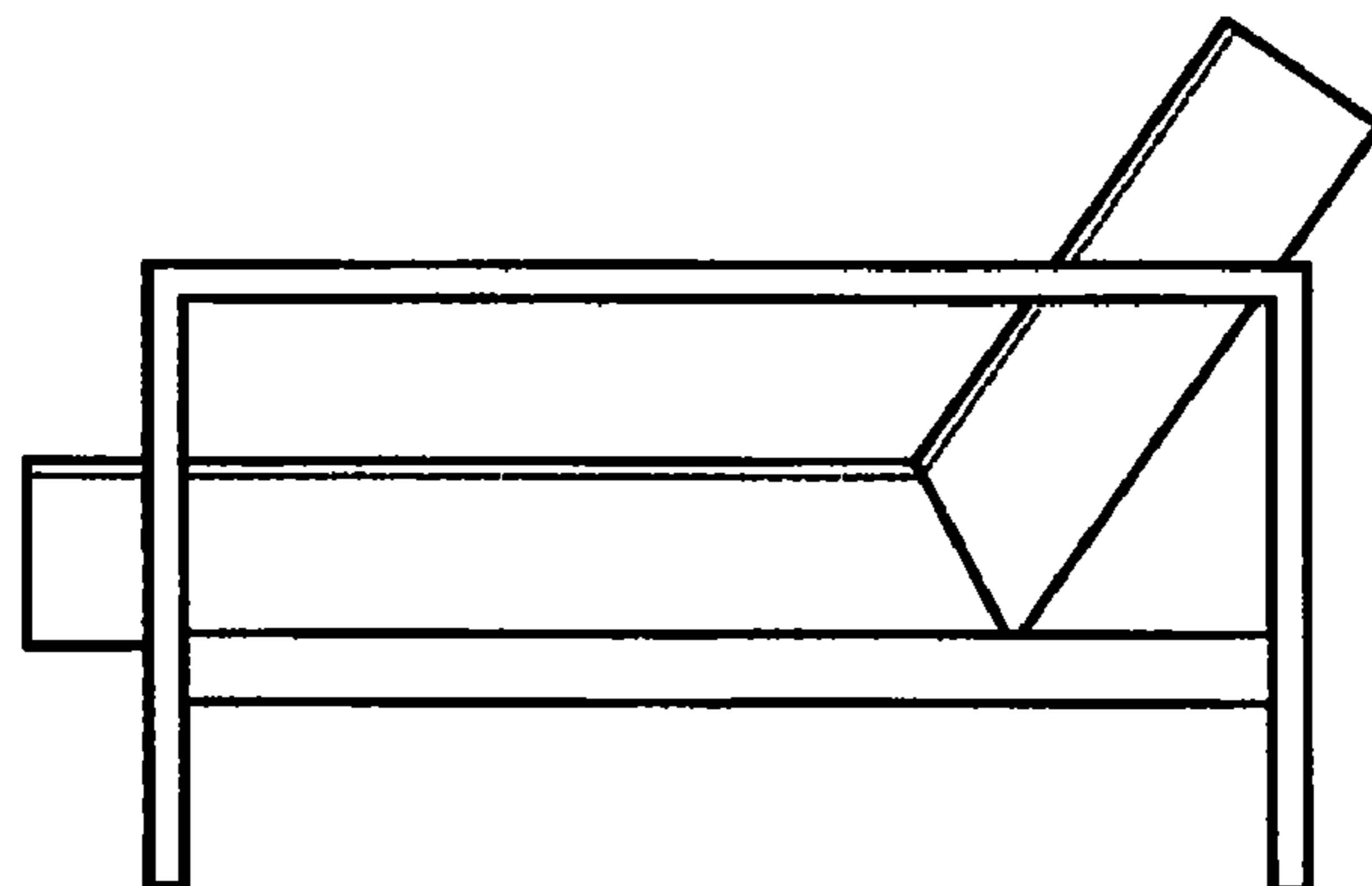


FIG. 17

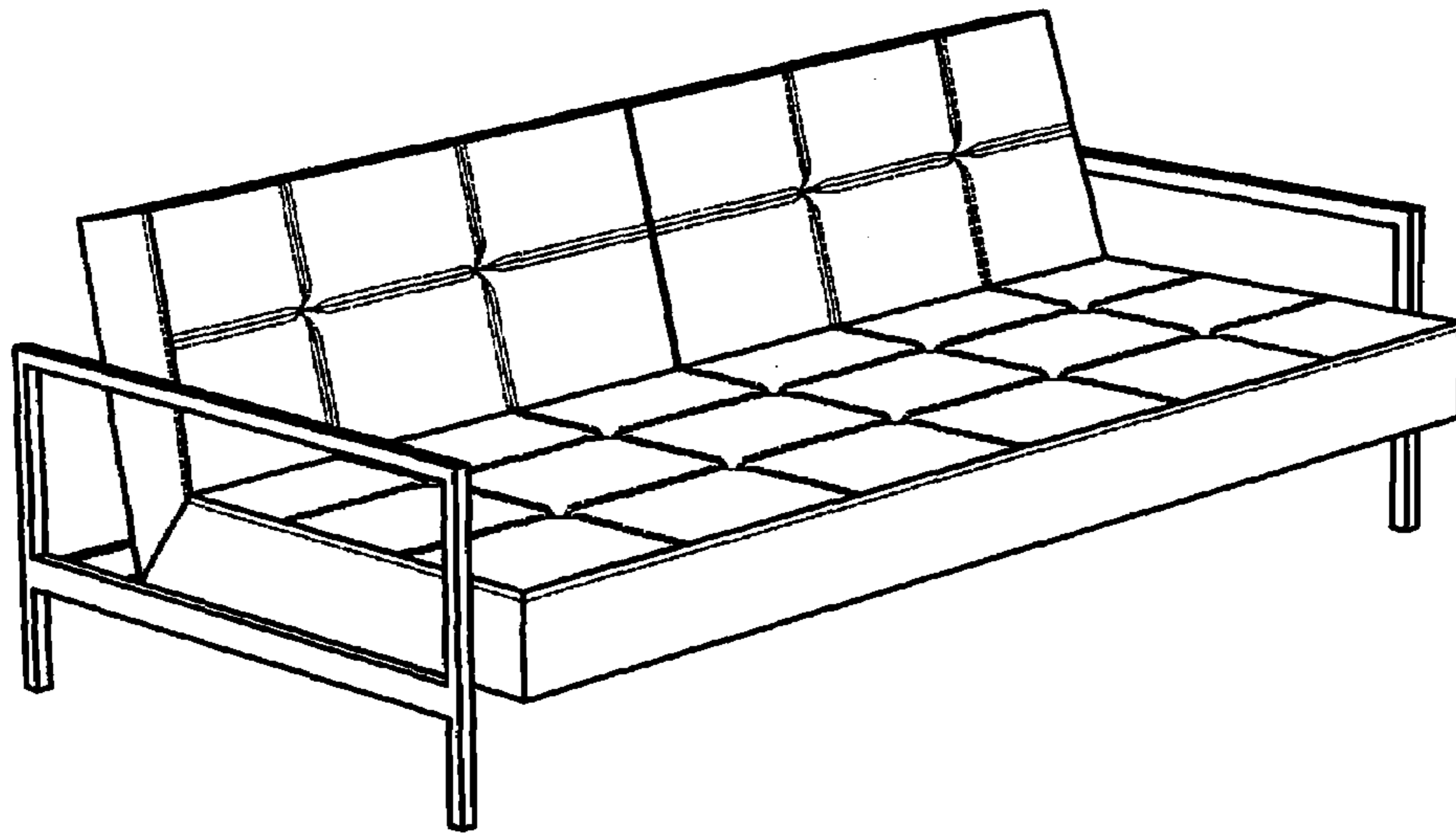


FIG. 18

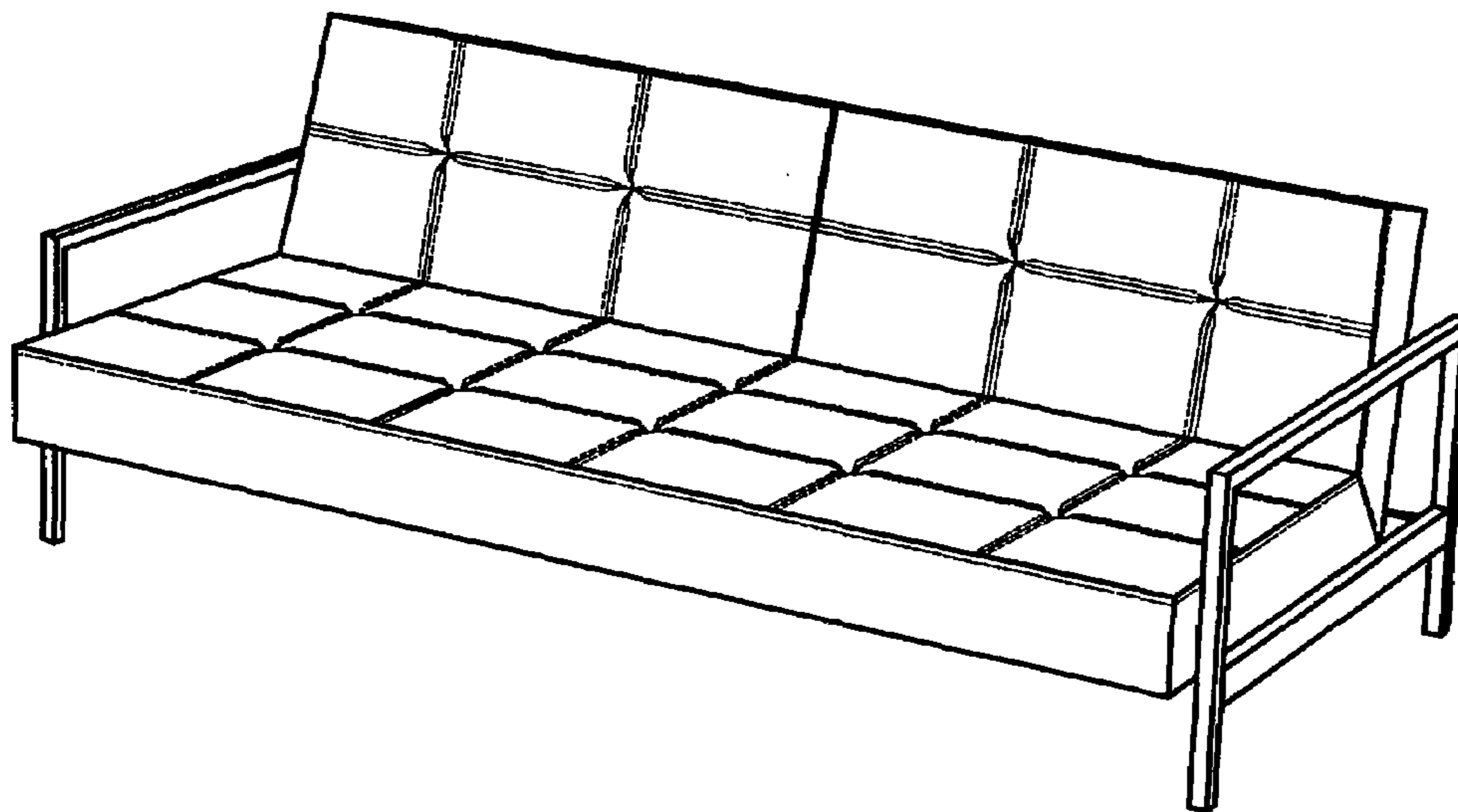


FIG. 19

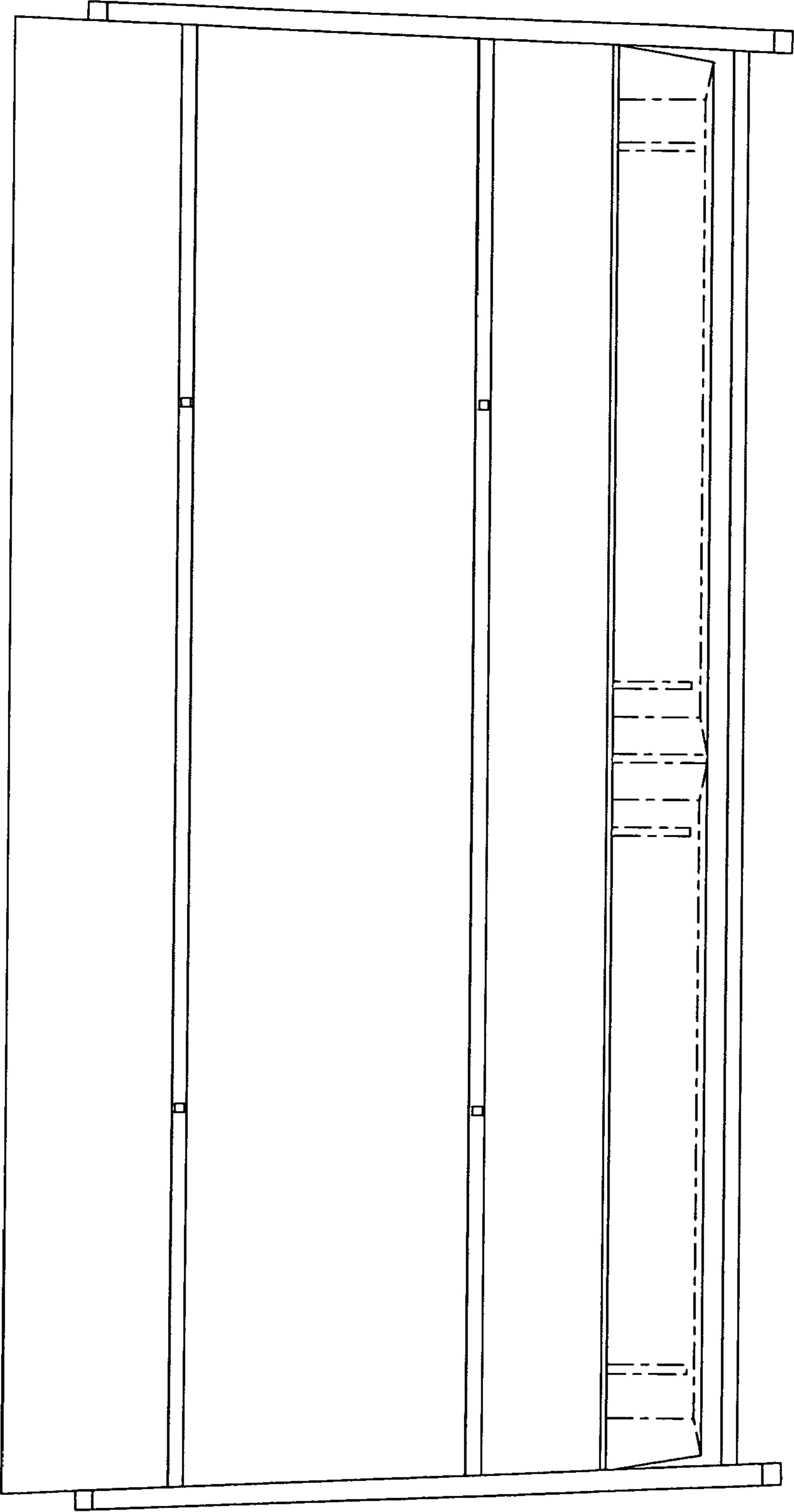


FIG. 20

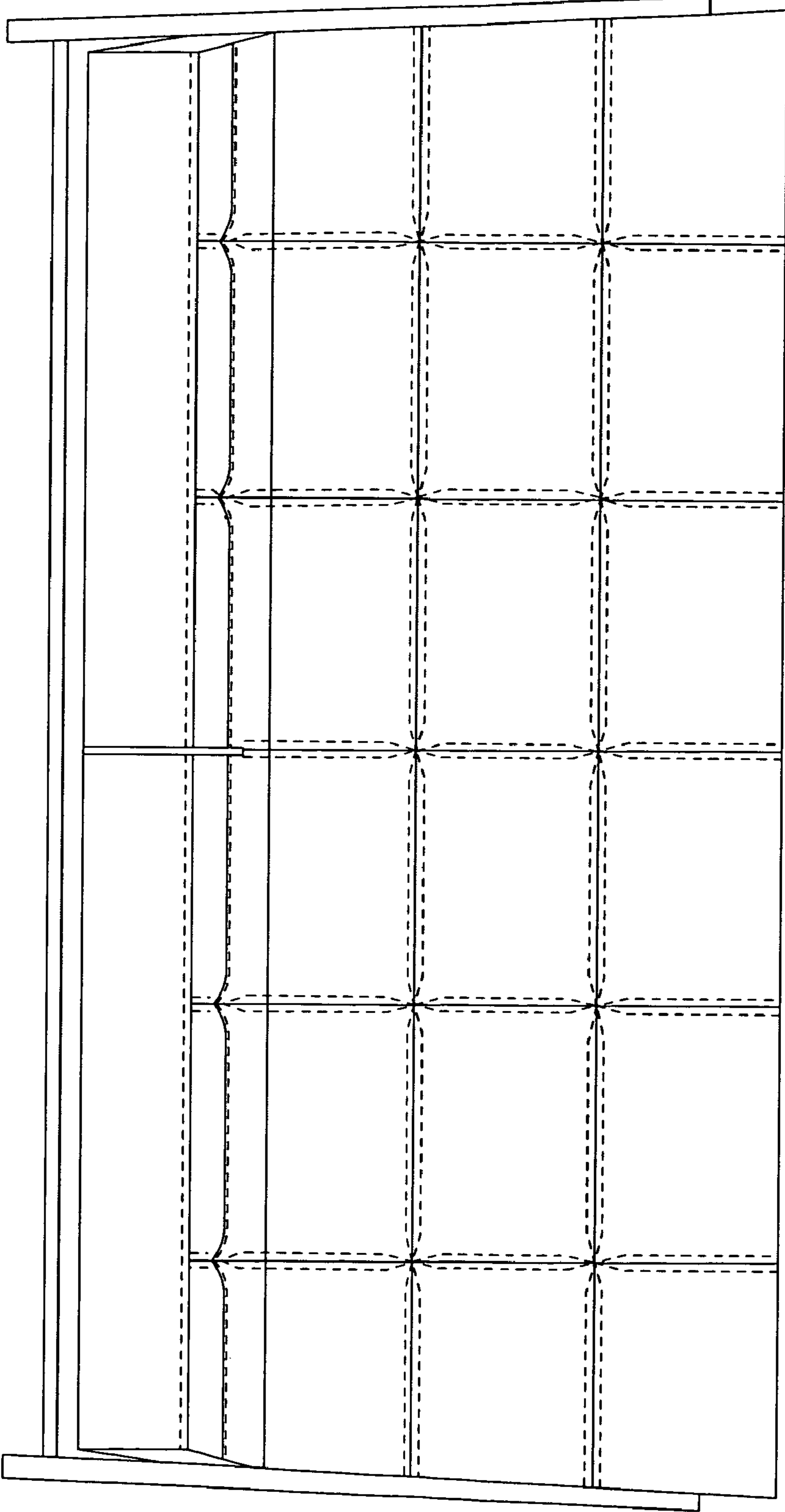


FIG. 21

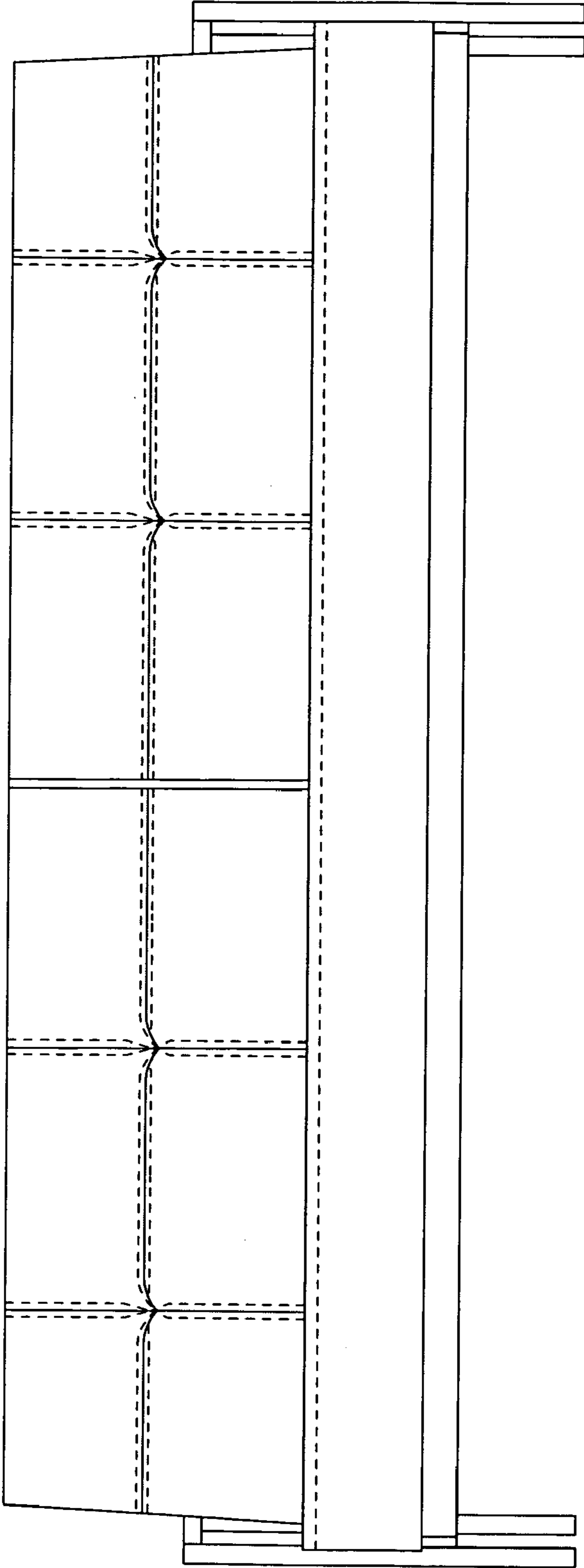


FIG. 22

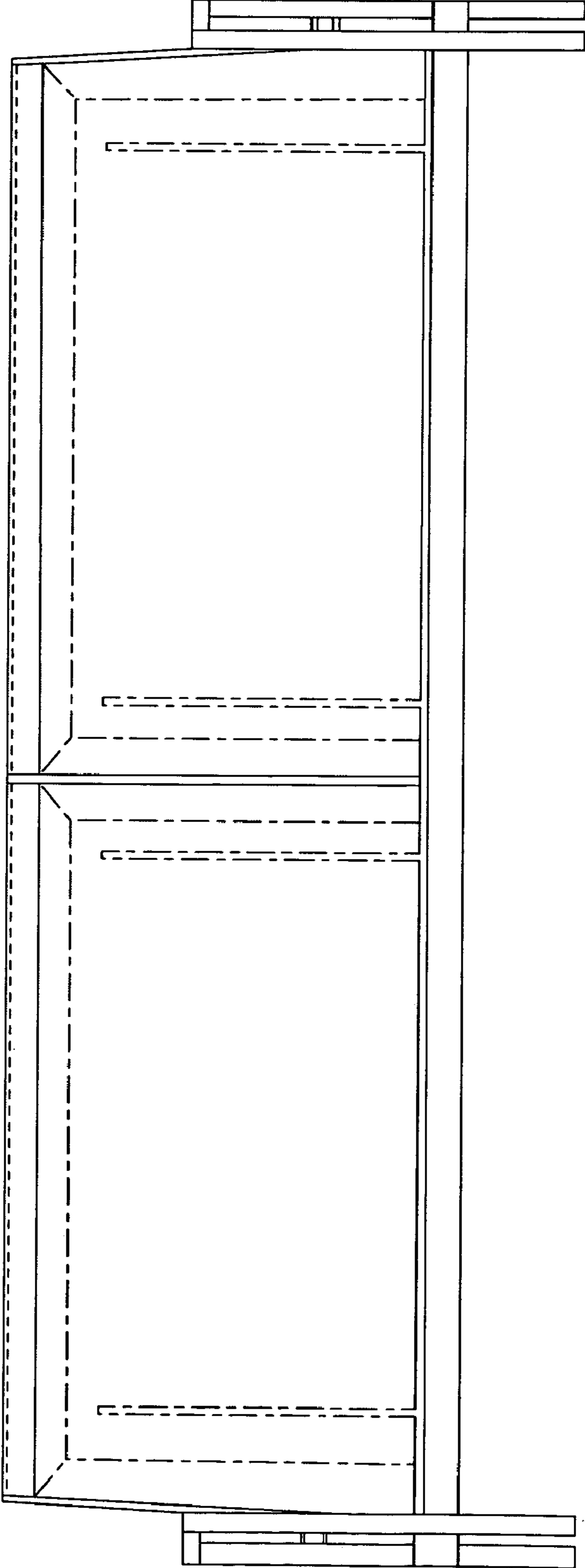


FIG. 23

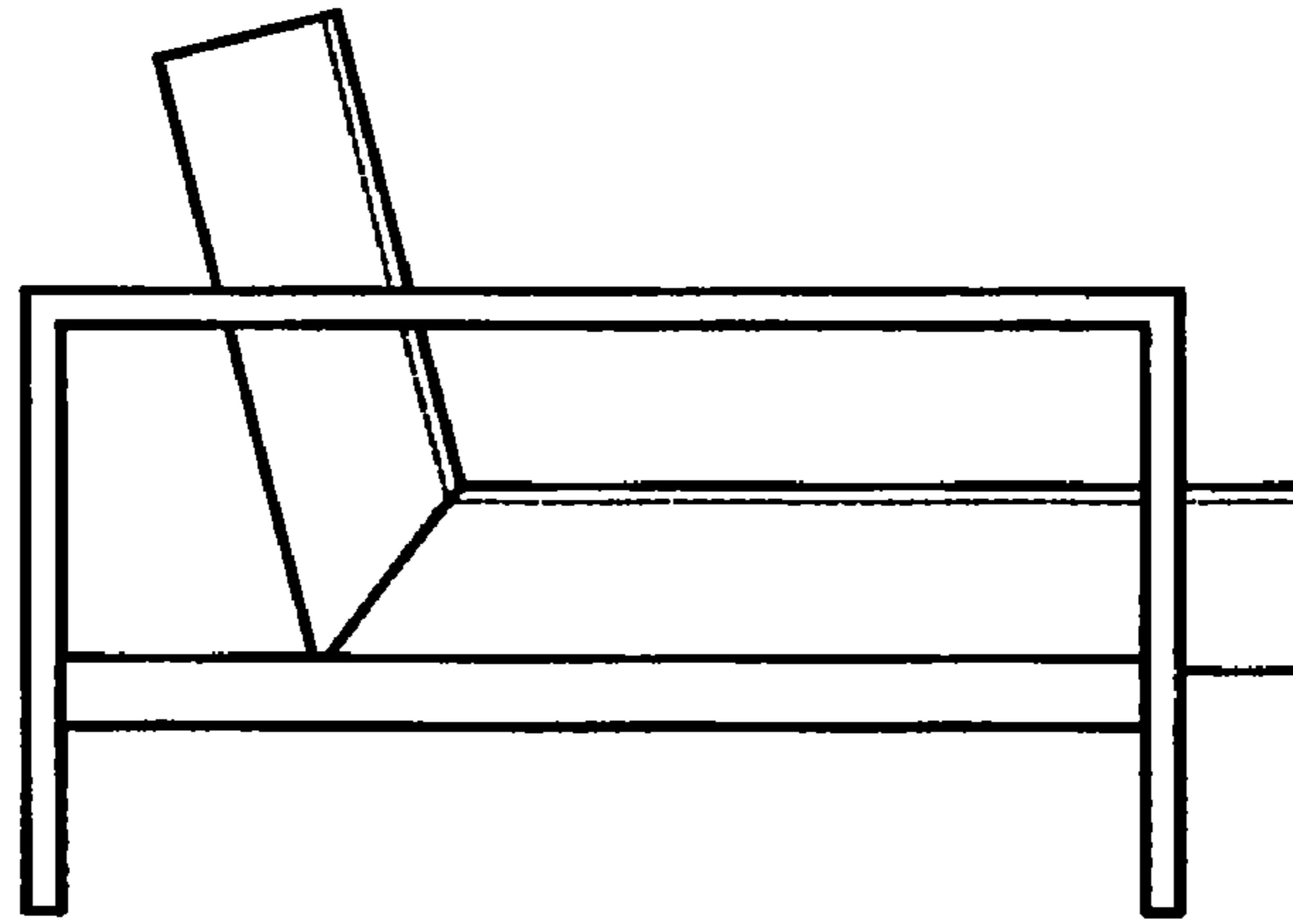


FIG. 24

