



US00D603617S

(12) **United States Design Patent**
Weiss

(10) **Patent No.:** **US D603,617 S**

(45) **Date of Patent:** **** Nov. 10, 2009**

(54) **SOFA**

(75) **Inventor:** **Per Weiss, Randers (DK)**

(73) **Assignee:** **Innovation U.S.A., Inc., Hanover, MD (US)**

(**) **Term:** **14 Years**

(21) **Appl. No.:** **29/324,647**

(22) **Filed:** **Sep. 17, 2008**

(30) **Foreign Application Priority Data**

Jun. 26, 2008 (CN) 200830141329.5

(51) **LOC (9) Cl.** **06-01**

(52) **U.S. Cl.** **D6/381**

(58) **Field of Classification Search** D6/334,
D6/349, 355, 364, 370, 374, 378, 381, 382,
D6/383, 491, 495, 500-503; 297/68, 232,
297/233, 353, 445.1, 448.1, 448.2, DIG. 7;
5/12.1, 12.2

See application file for complete search history.

(56) **References Cited**

U.S. PATENT DOCUMENTS

D164,563	S	*	9/1951	Fouts	D6/349
3,857,120	A	*	12/1974	Acker	5/12.1
D234,731	S	*	4/1975	McDonald	D6/371
4,110,855	A	*	9/1978	Acker	5/45
4,292,698	A	*	10/1981	Acker	5/45
D272,968	S	*	3/1984	Fairaizen	D6/381
D446,962	S	*	8/2001	Mourgue	D6/381
D498,074	S	*	11/2004	Gomez	D6/381
D559,003	S	*	1/2008	Lissoni	D6/381

D569,123	S	*	5/2008	Roos et al.	D6/381
D583,585	S	*	12/2008	Weiss	D6/381
D591,073	S	*	4/2009	Natuzzi	D6/381
D591,970	S	*	5/2009	Weiss	D6/381

* cited by examiner

Primary Examiner—Sandra Snapp

(74) *Attorney, Agent, or Firm*—Miles & Stockbridge P.C.;
James T. Carmichael, Esq.; Michael A. Minter, Esq.

(57) **CLAIM**

The ornamental design for a sofa, as shown and described.

DESCRIPTION

FIG. 1 is a front right perspective view of the sofa shown in an upright position;

FIG. 2 is a front left perspective view thereof;

FIG. 3 is a front right perspective view thereof in a fully reclined position;

FIG. 4 is a front left perspective view thereof in the fully reclined position;

FIG. 5 is a front view thereof;

FIG. 6 is a rear view thereof;

FIG. 7 is a top plan view thereof;

FIG. 8 is a bottom plan view thereof;

FIG. 9 is a left side view thereof; and,

FIG. 10 is a right side view thereof.

The dashed lines shown on the article represent topstitching. The dot-dashed lines shown in the drawings are for illustrative purposes only and form no part of the claimed design.

1 Claim, 7 Drawing Sheets

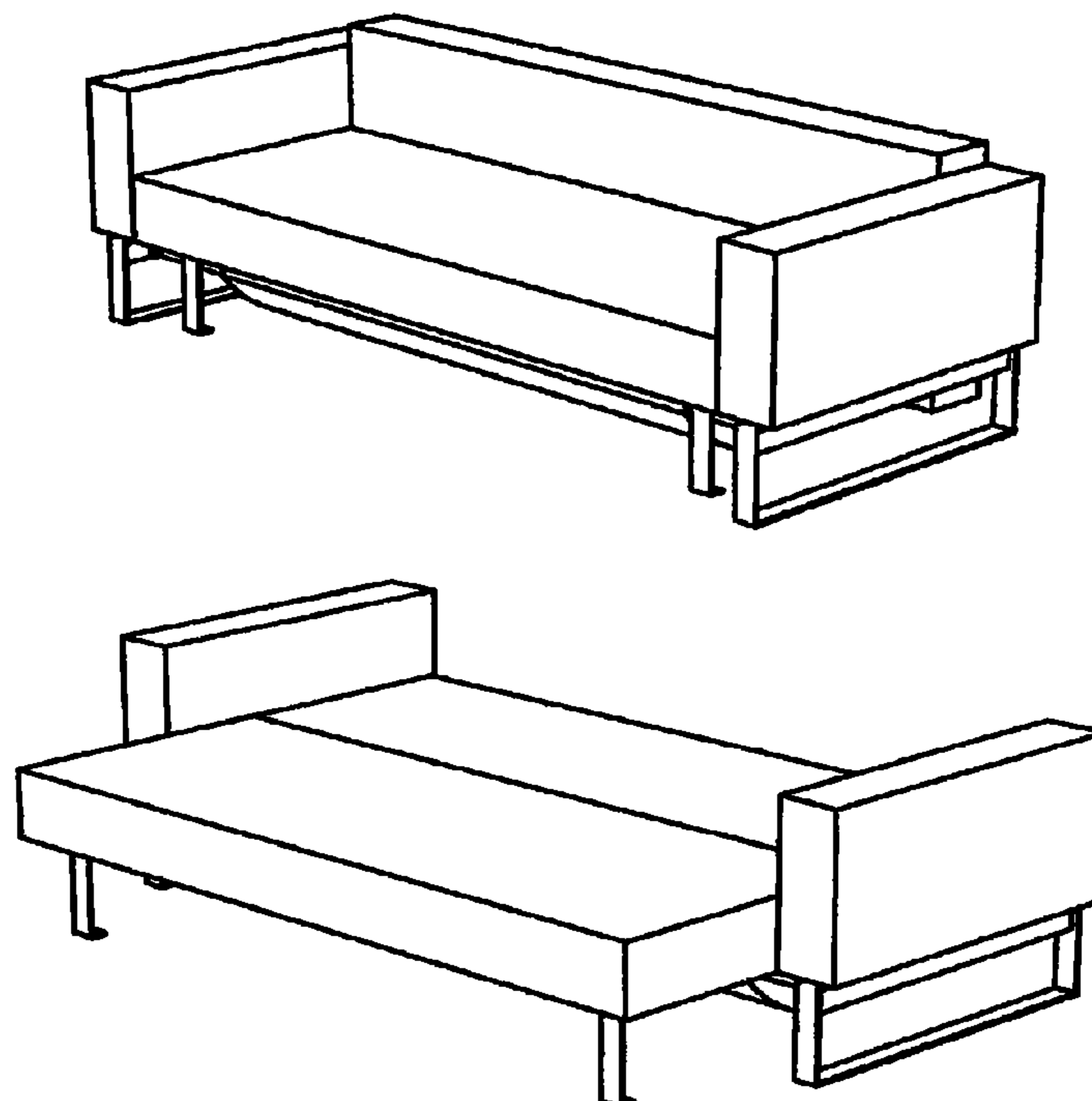


FIG. 1

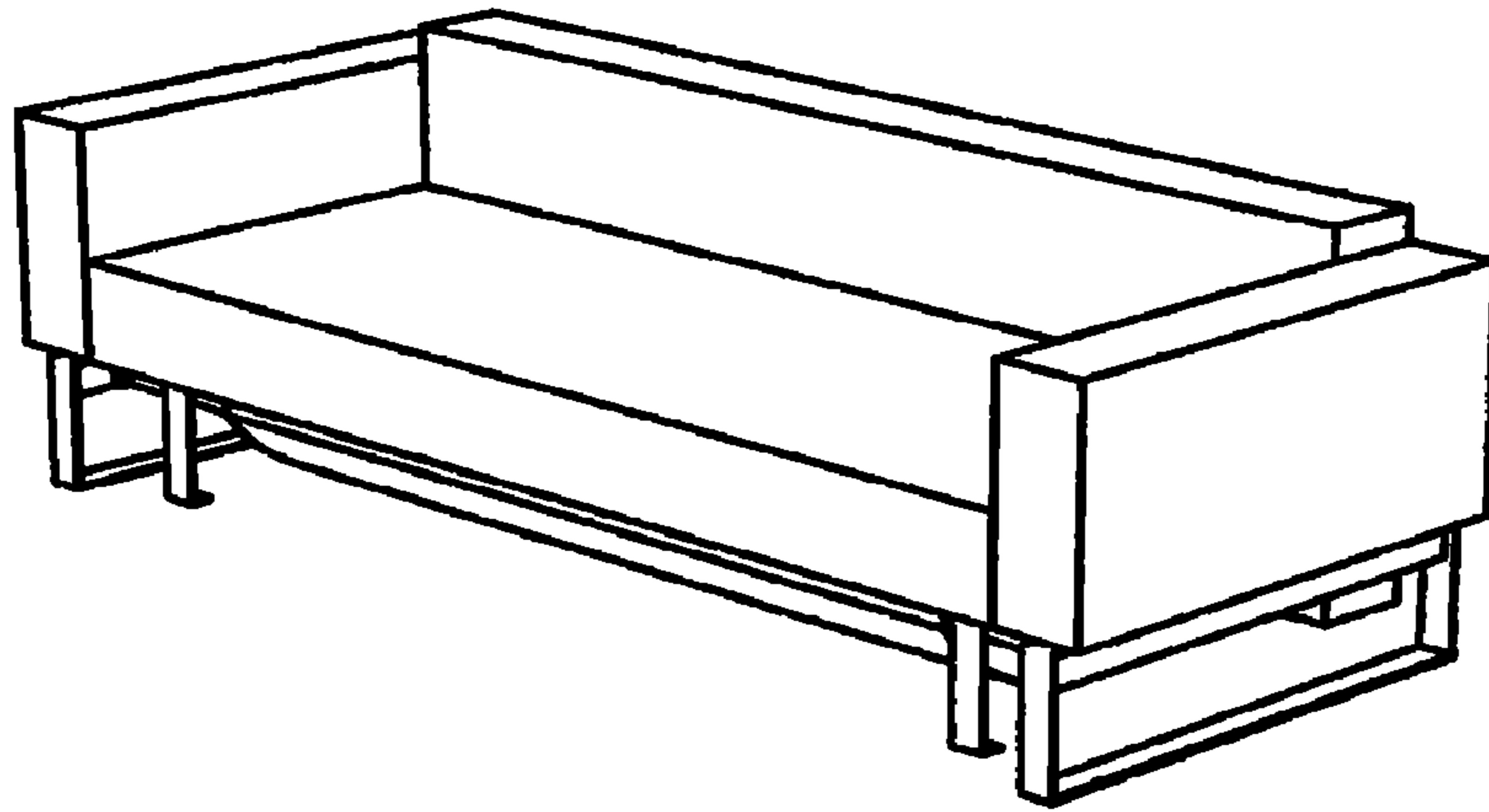


FIG. 2

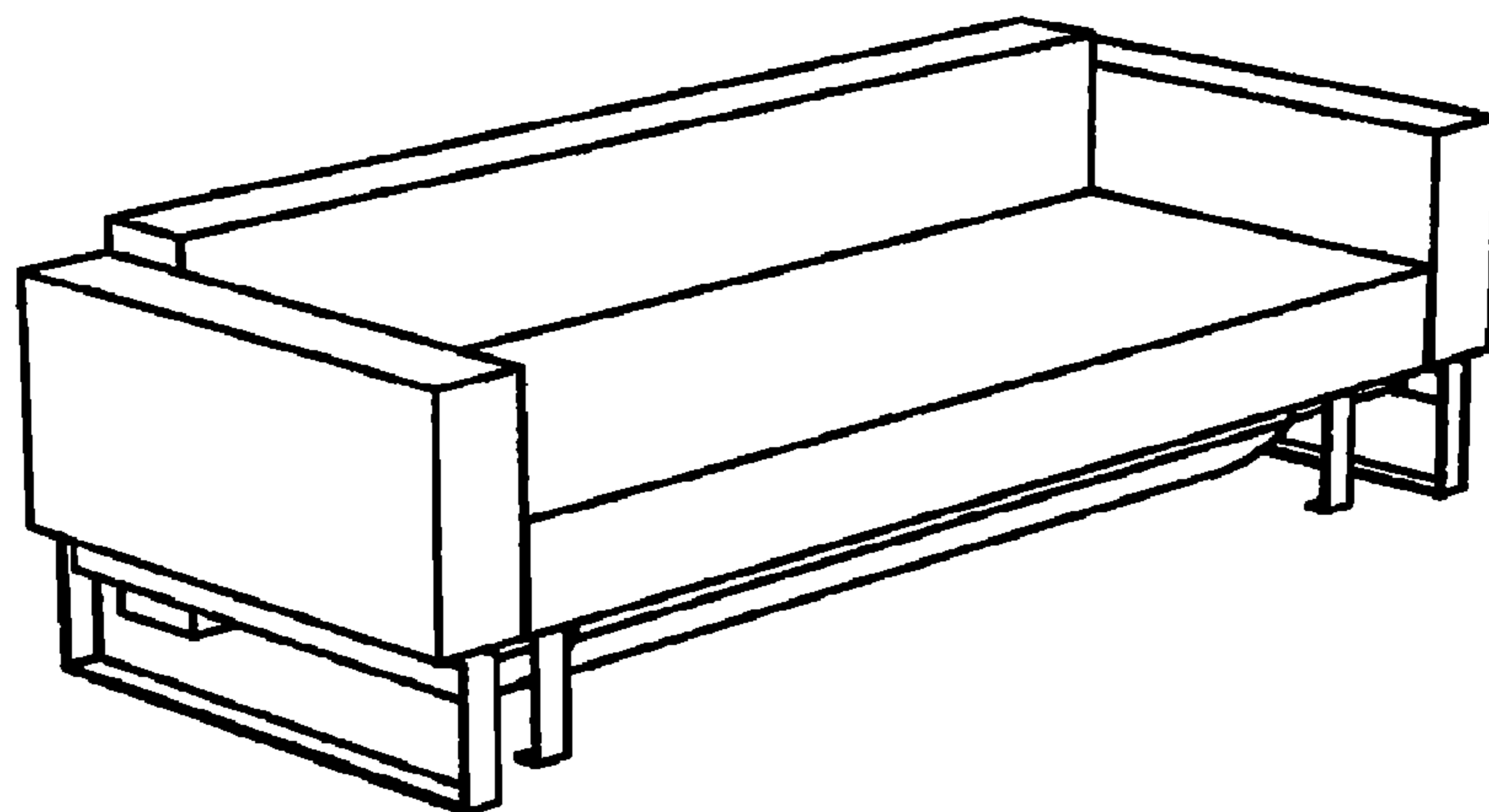


FIG. 3

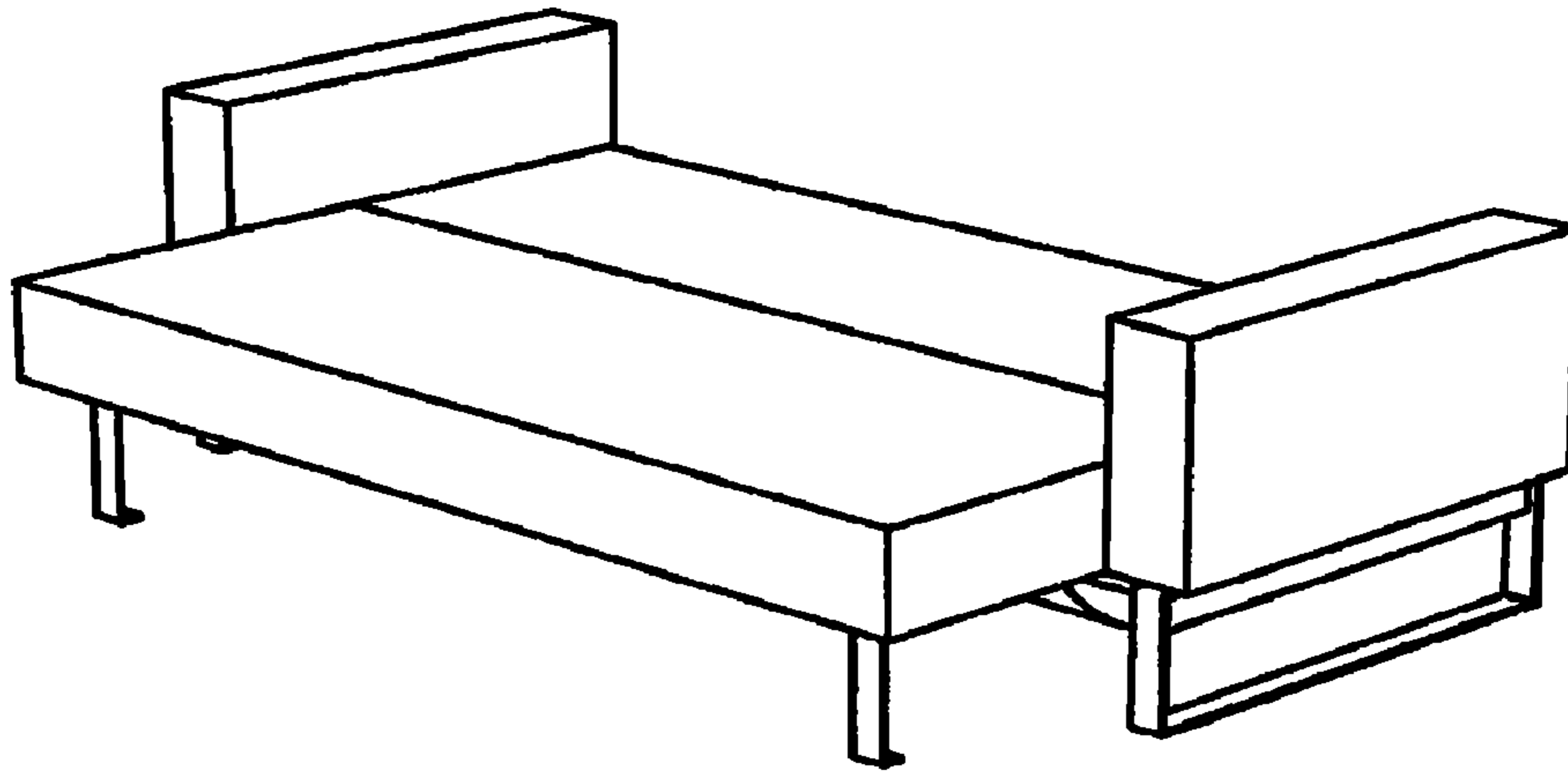


FIG. 4

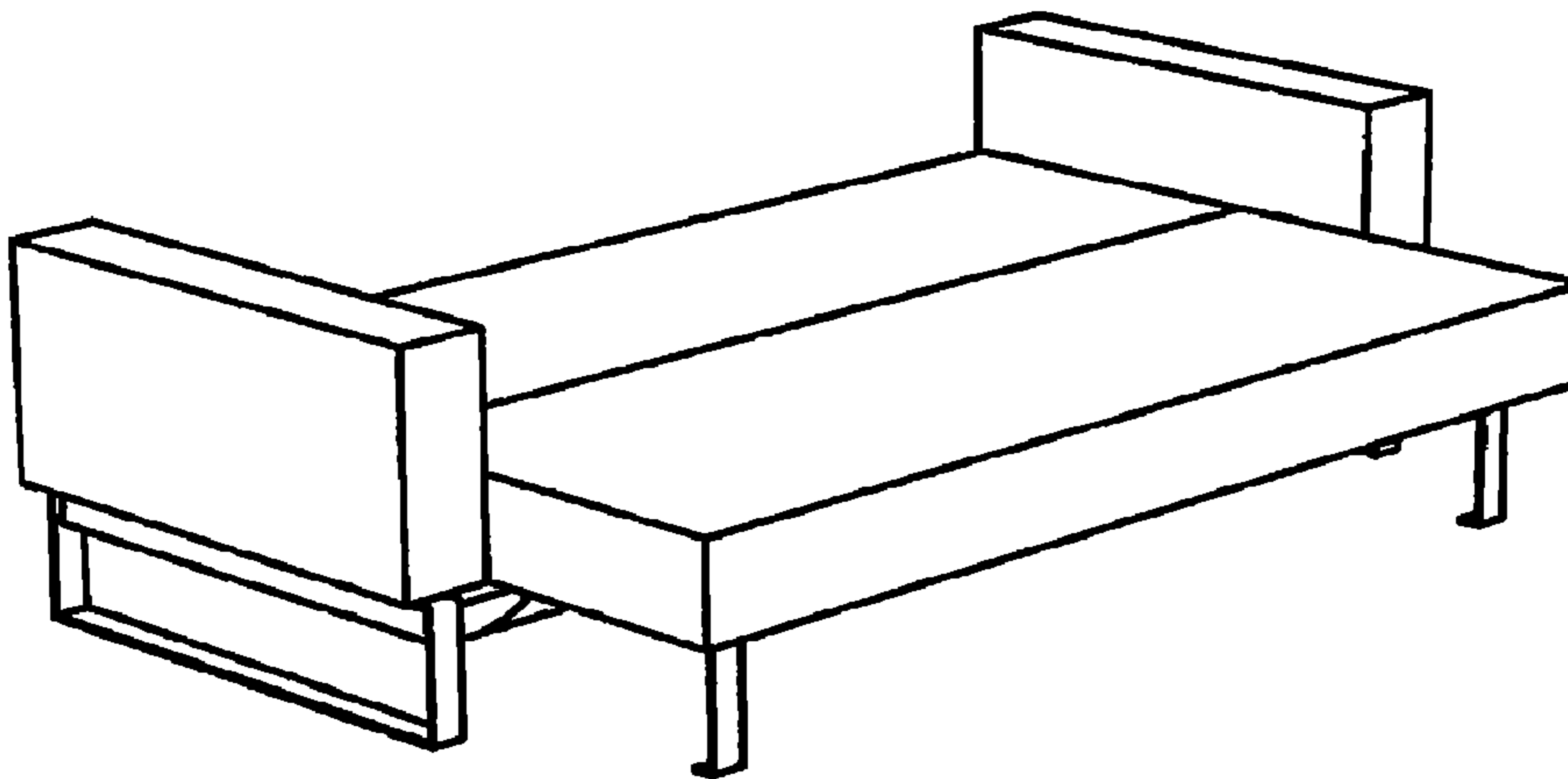


FIG. 5

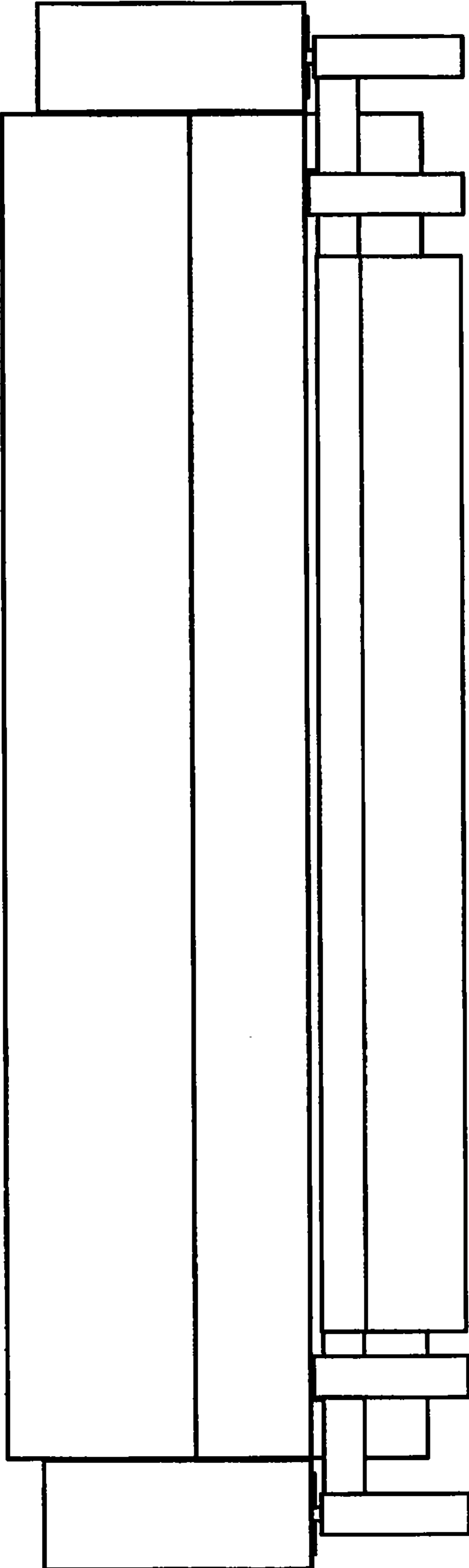


FIG. 6

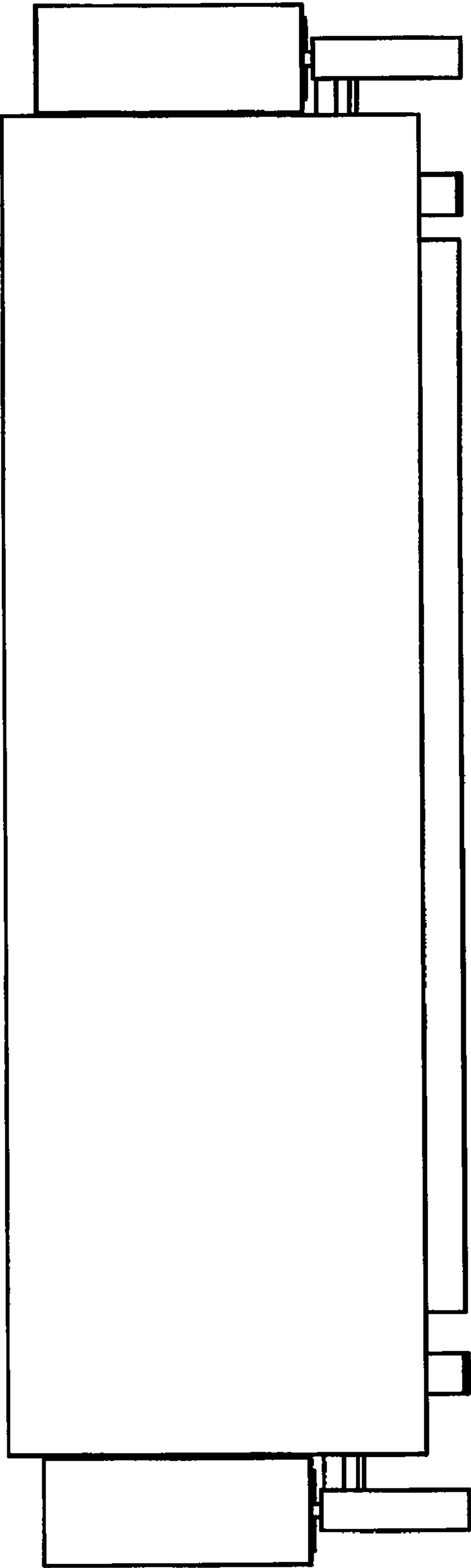


FIG. 7

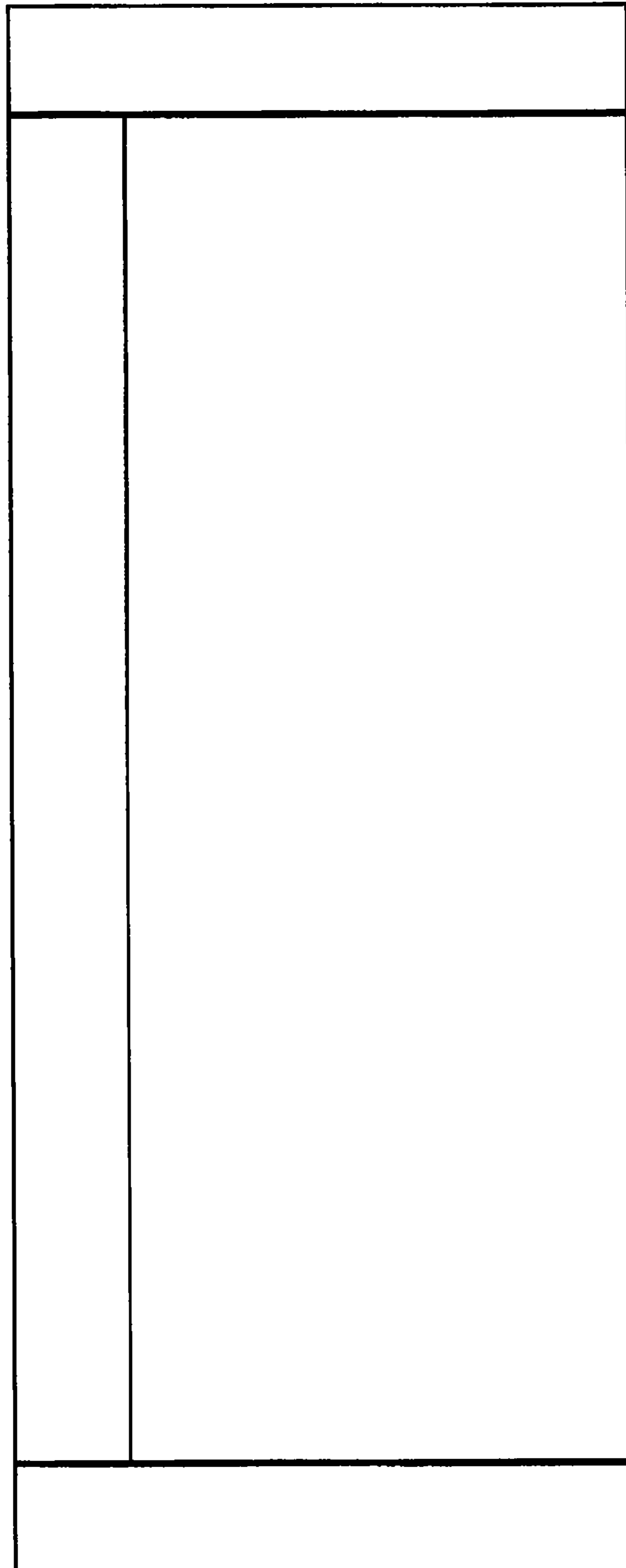


FIG. 8

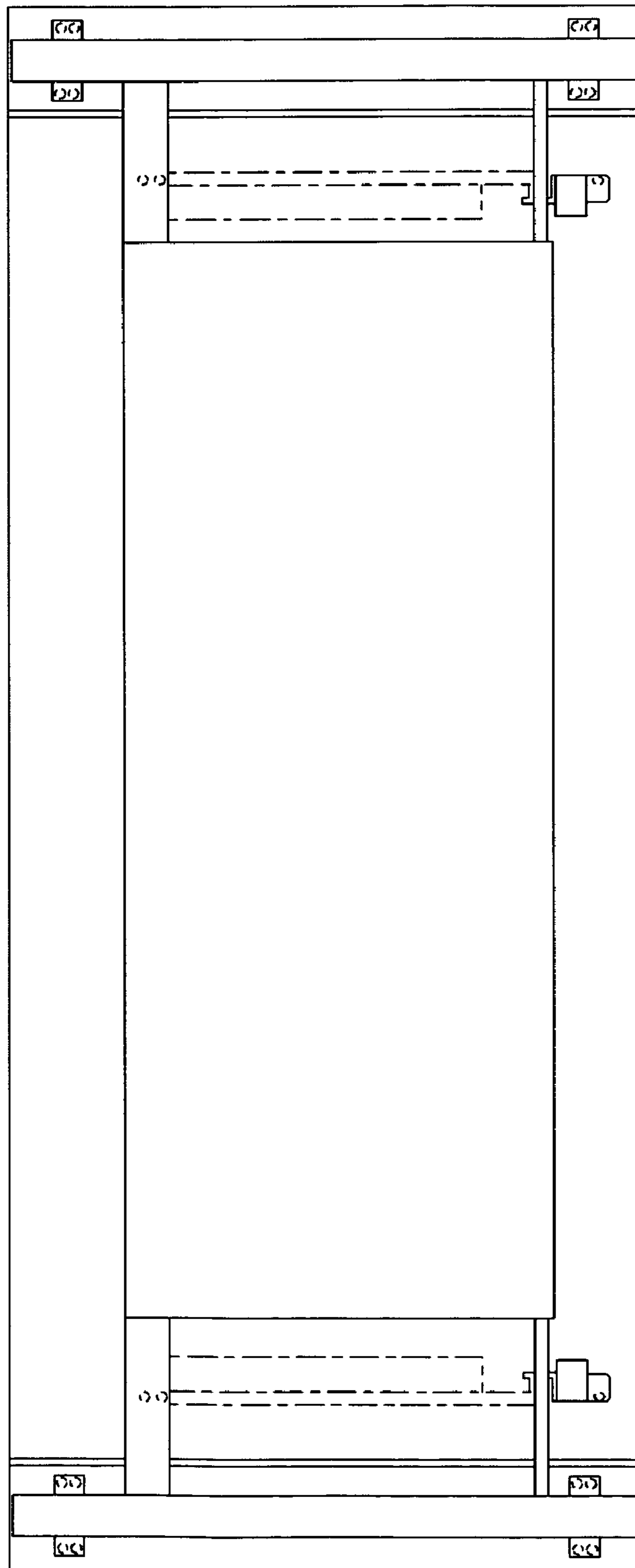


FIG. 9

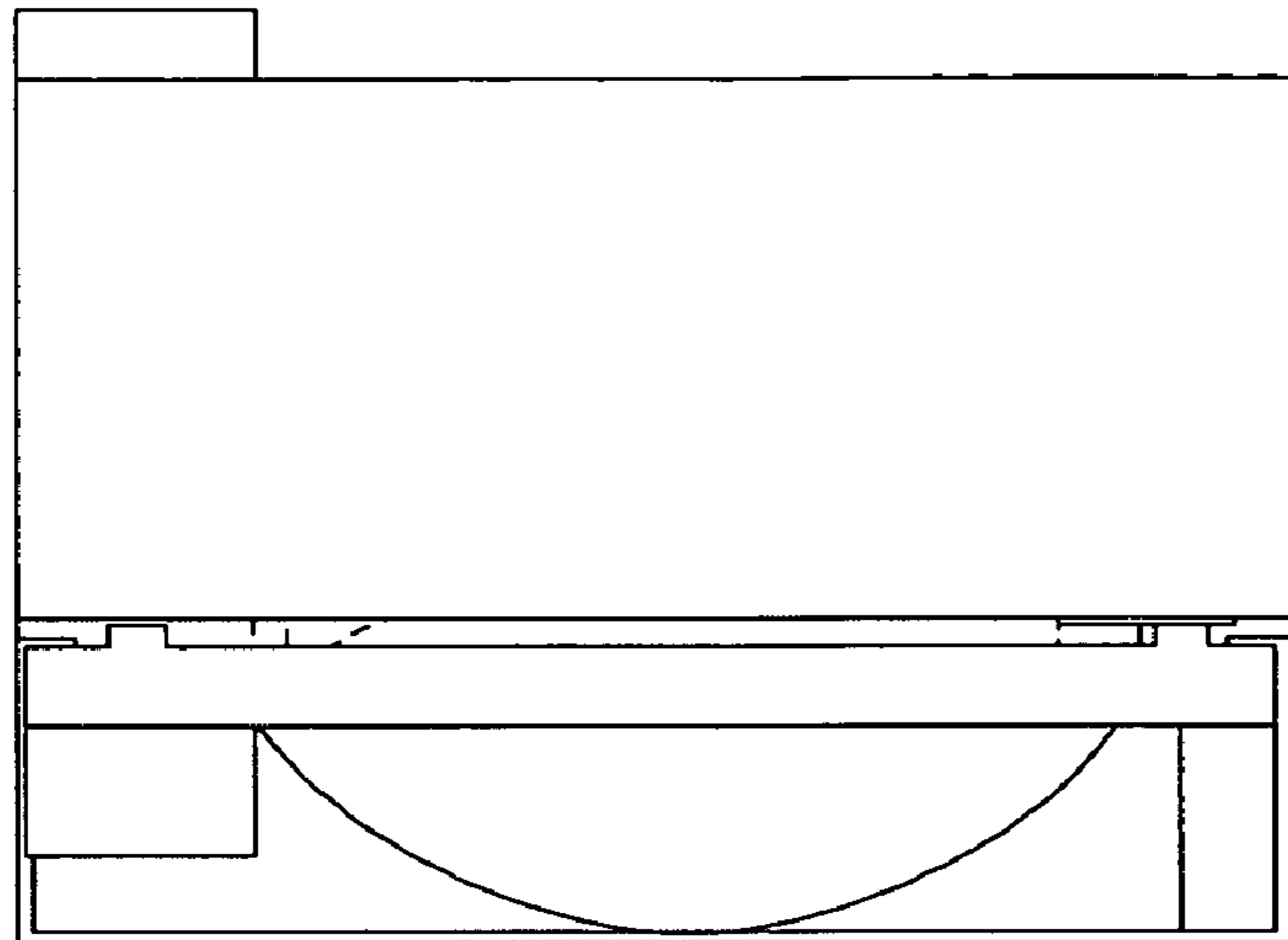


FIG. 10

