



US00D603615S

(12) **United States Design Patent**  
**Schindler**

(10) **Patent No.:** **US D603,615 S**

(45) **Date of Patent:** **\*\* Nov. 10, 2009**

(54) **CHAISE LOUNGE**

(75) Inventor: **Olivier Schindler**, 40 Cours de Vincennes, 75012 Paris (FR)

(73) Assignee: **Olivier Schindler**, Paris (FR)

(\*\*) Term: **14 Years**

(21) Appl. No.: **29/334,608**

(22) Filed: **Mar. 30, 2009**

(30) **Foreign Application Priority Data**

Oct. 1, 2008 (EM) ..... 001012587-0001

(51) **LOC (9) Cl.** ..... **06-01**

(52) **U.S. Cl.** ..... **D6/361**

(58) **Field of Classification Search** ..... D6/334-336,  
D6/360-369, 374, 379-380, 498, 500-502;  
297/68, 284.4, 344.19, 423.1, 423.19, 452.12,  
297/452.17, 452.21, 452.29, 452.3, 452.56,  
297/452.64

See application file for complete search history.

(56) **References Cited**

**U.S. PATENT DOCUMENTS**

D310,921 S \* 10/1990 Nagengast et al. .... D6/361

D358,497 S \* 5/1995 Jones et al. .... D6/361  
D533,368 S \* 12/2006 Natuzzi ..... D6/361

\* cited by examiner

*Primary Examiner*—Caron Veynar

*Assistant Examiner*—Ricky Pham

(74) *Attorney, Agent, or Firm*—Marshall, Gerstein & Borun LLP

(57) **CLAIM**

The ornamental design for a chaise lounge, as shown and described.

**DESCRIPTION**

FIG. 1 is a top, front, and side perspective view of a chaise lounge that has the design.

FIG. 2 is right-side elevational view of the chaise lounge. The left-side view is a mirror image of this view.

FIG. 3 is a back elevational view of the chaise lounge.

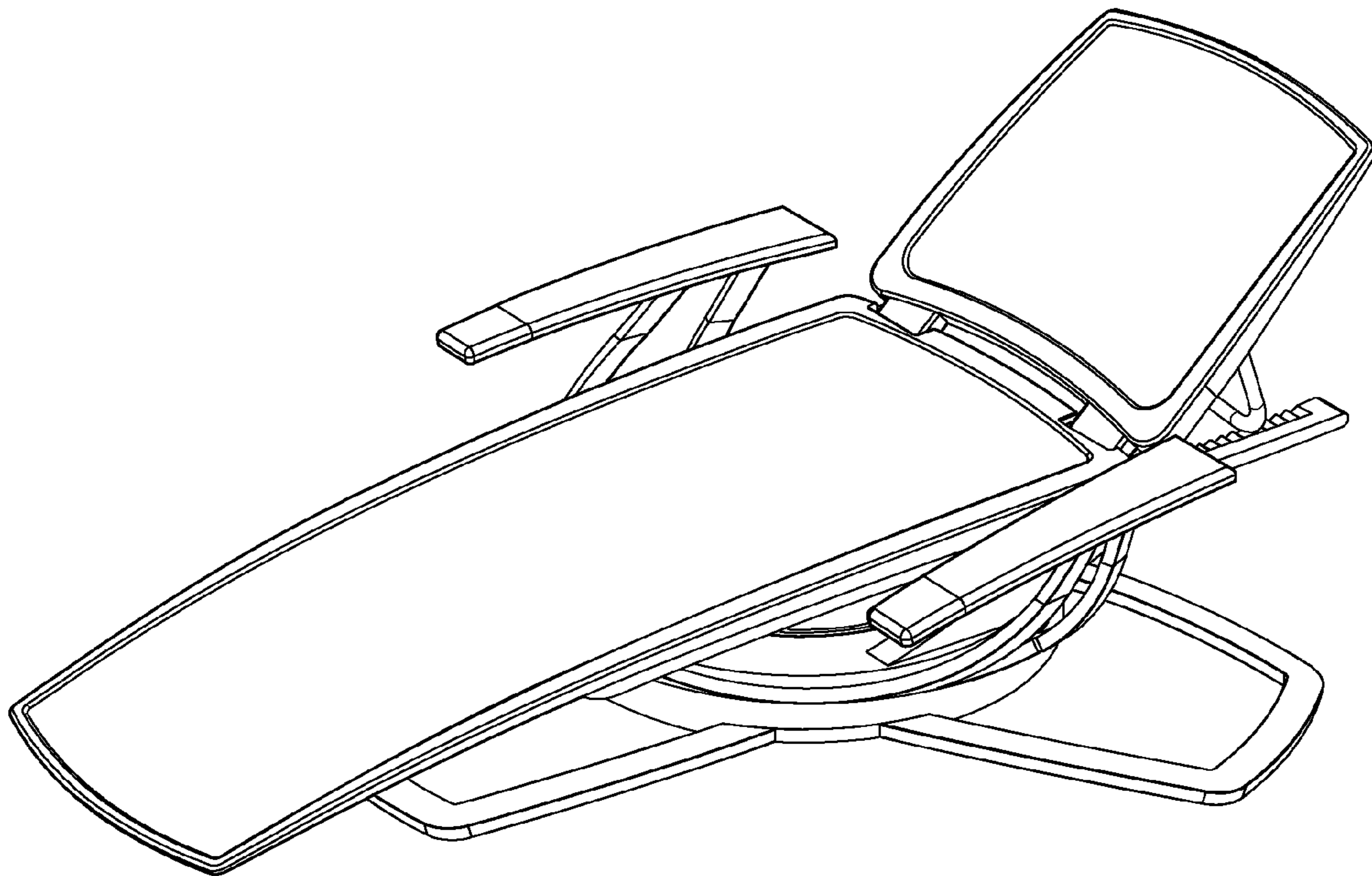
FIG. 4 is a front elevational view of the chaise lounge.

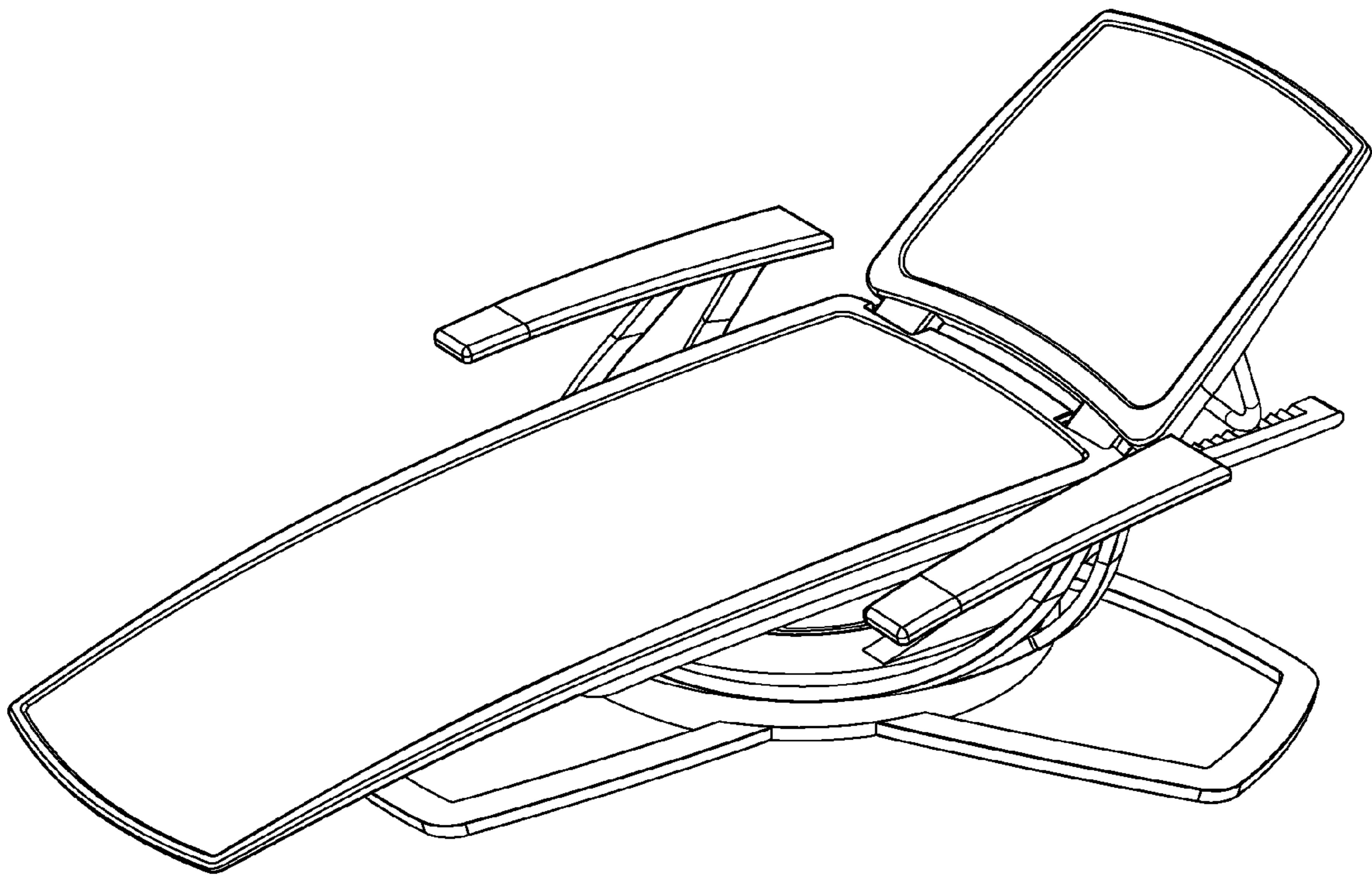
FIG. 5 is a top plan view of the chaise lounge.

FIG. 6 is a bottom plan view of the chaise lounge; and,

FIG. 7 is a top, front, and side perspective view of the base of the chaise lounge; shown separately for ease of illustration.

**1 Claim, 7 Drawing Sheets**





**FIG. 1**

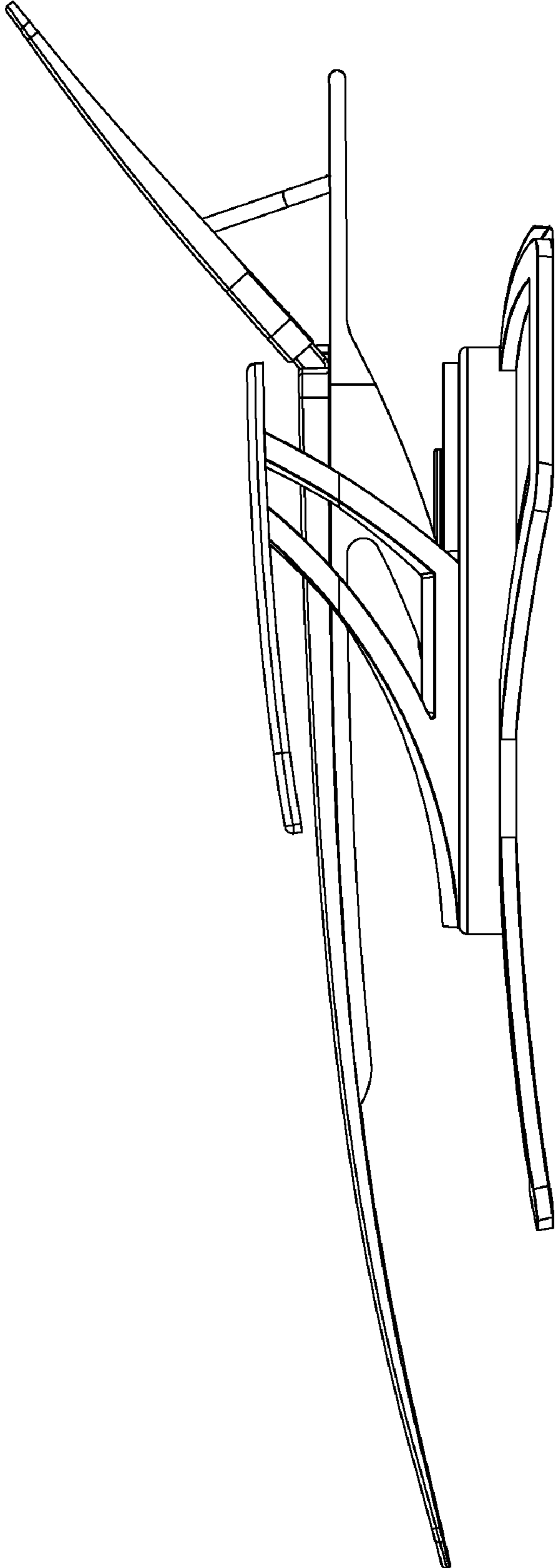
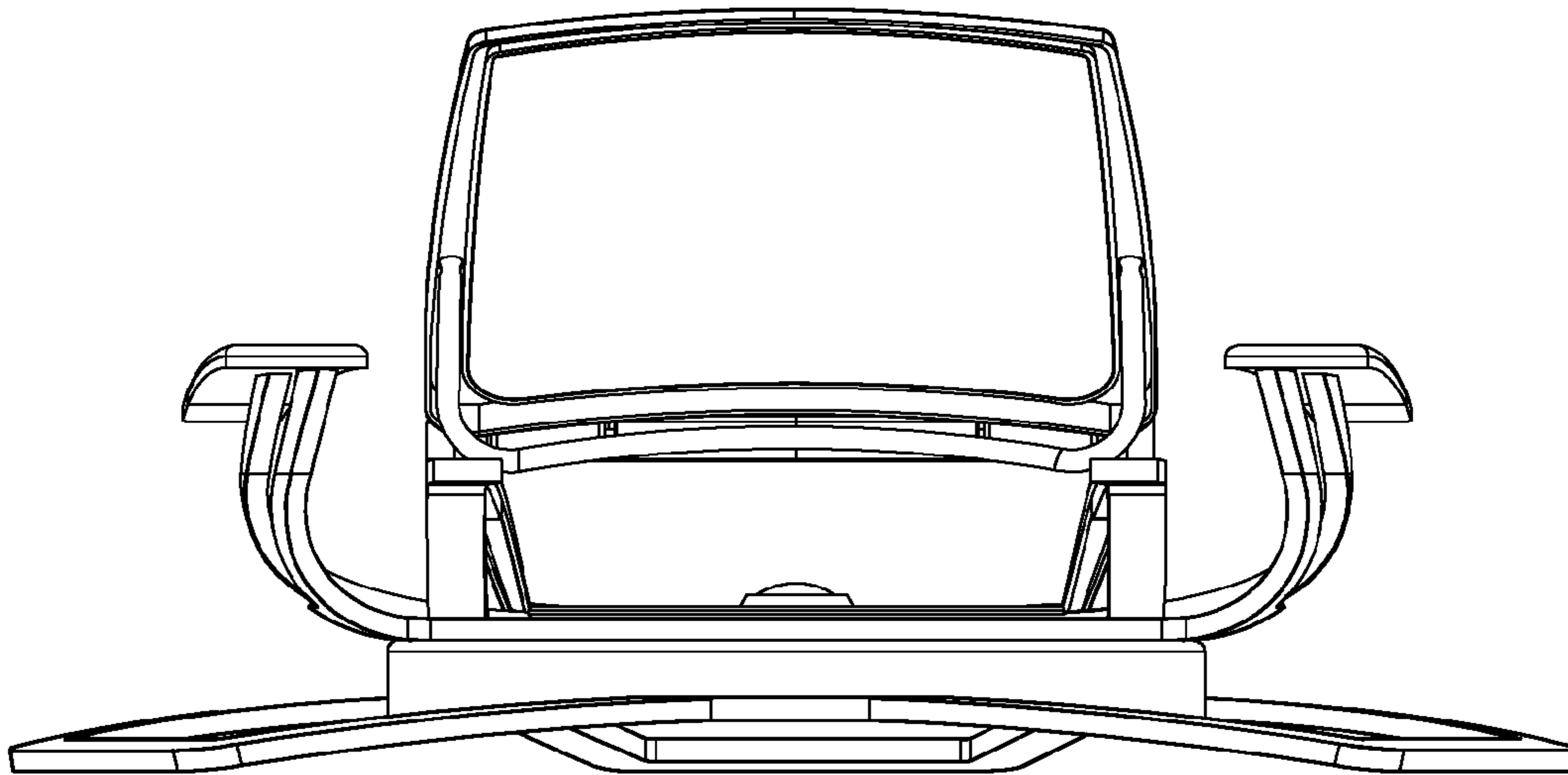
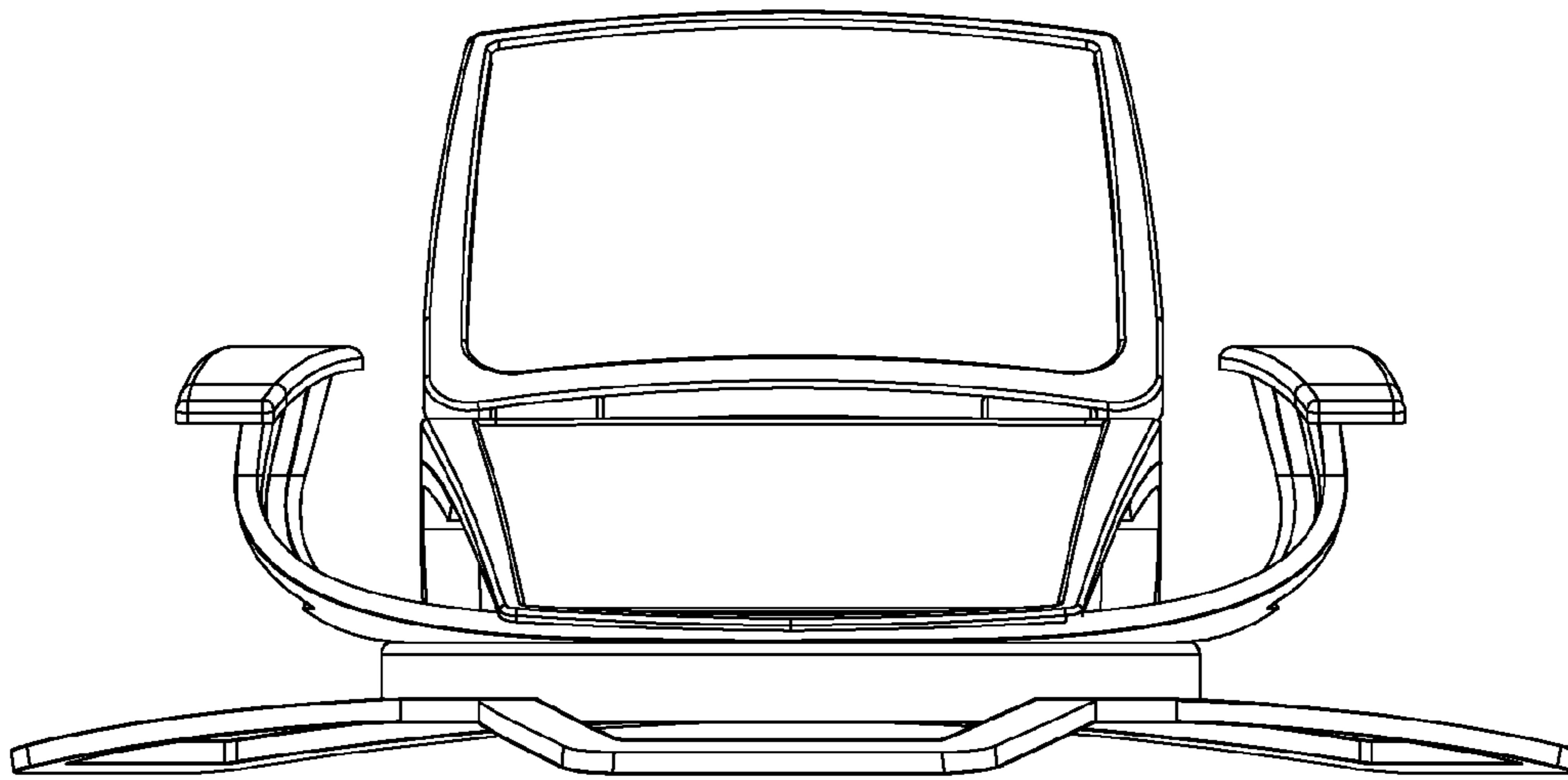


FIG. 2



**FIG. 3**



**FIG. 4**

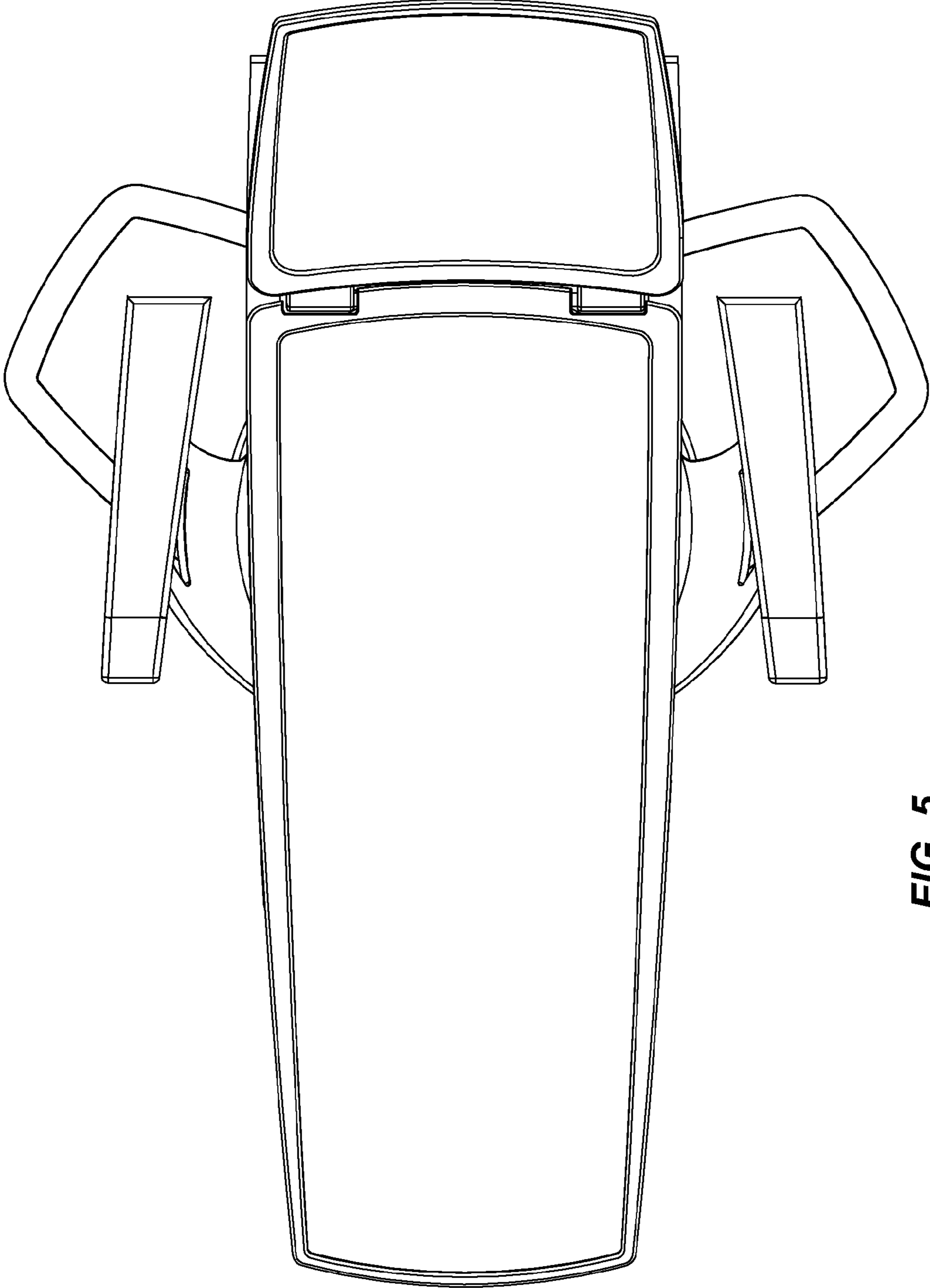


FIG. 5

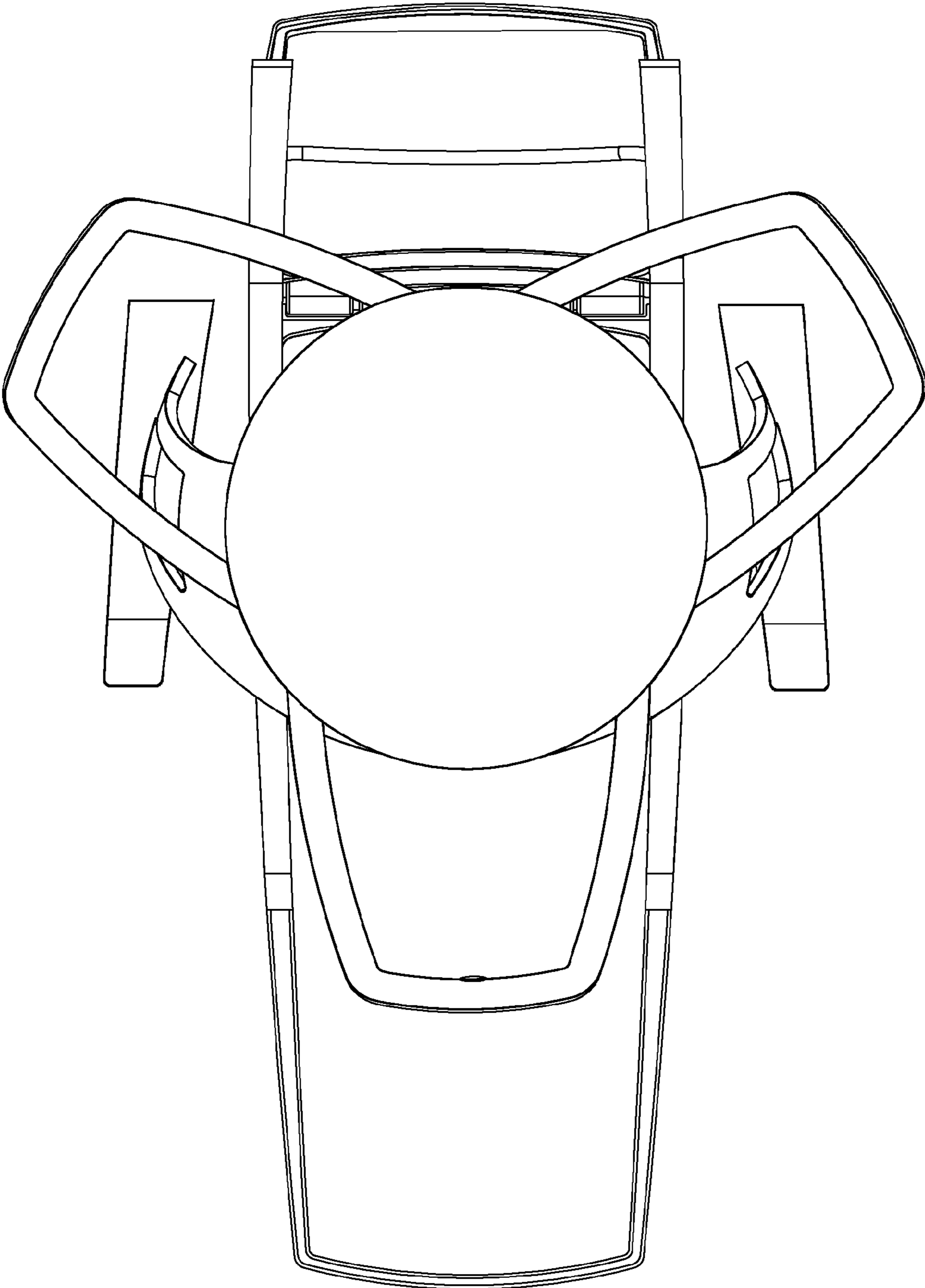
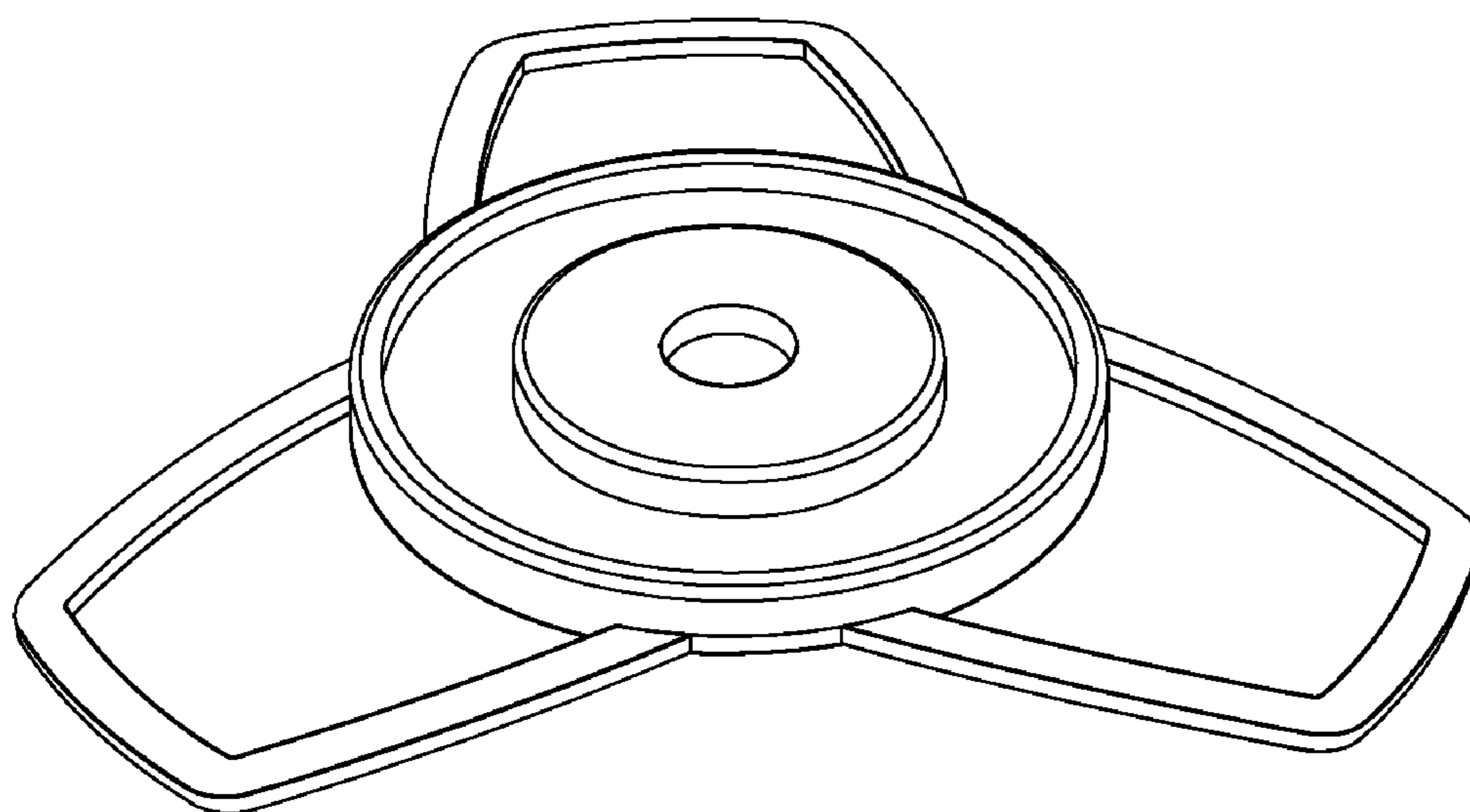


FIG. 6



**FIG. 7**