



US00D603609S

(12) **United States Design Patent**
Reed

(10) **Patent No.:** **US D603,609 S**

(45) **Date of Patent:** **** Nov. 10, 2009**

(54) **OFFSET PAINT ROLLER FRAME**

(76) Inventor: **Dennis Reed**, 457 Buckeye St.,
Vacaville, CA (US) 95688

(**) Term: **14 Years**

(21) Appl. No.: **29/313,201**

(22) Filed: **Dec. 17, 2008**

(51) **LOC (9) Cl.** **08-05**

(52) **U.S. Cl.** **D4/122; D4/199**

(58) **Field of Classification Search** D4/122,
D4/199; D6/317, 566; D8/370, 373; 15/27,
15/230.11; 211/106, 106.01; 248/302; 401/197;
492/13, 16, 17, 19

See application file for complete search history.

(56) **References Cited**

U.S. PATENT DOCUMENTS

2,761,167	A *	9/1956	Bridgford	15/244.2
3,554,659	A *	1/1971	Stokes	401/197
7,451,518	B1 *	11/2008	Koumarianos	15/230.11
2004/0163197	A1 *	8/2004	Mead et al.	15/230.11
2007/0251042	A1 *	11/2007	Kim	15/230.11

* cited by examiner

Primary Examiner—Melanie H Tung

Assistant Examiner—Lavone D Tabor

(74) *Attorney, Agent, or Firm*—Mark C. Jacobs

(57) **CLAIM**

The ornamental design for an offset paint roller frame, as shown and described.

DESCRIPTION

FIG. 1 is a front perspective view of an offset paint roller frame showing my new design, the broken lines showing a roller cage and a handle being included to illustrate environmental structure which forms no part of the claimed design.

FIG. 2 is a front elevational view of the frame embodying the design, the rear elevational view being a mirror image thereof.

FIG. 3 is a left side elevational view thereof.

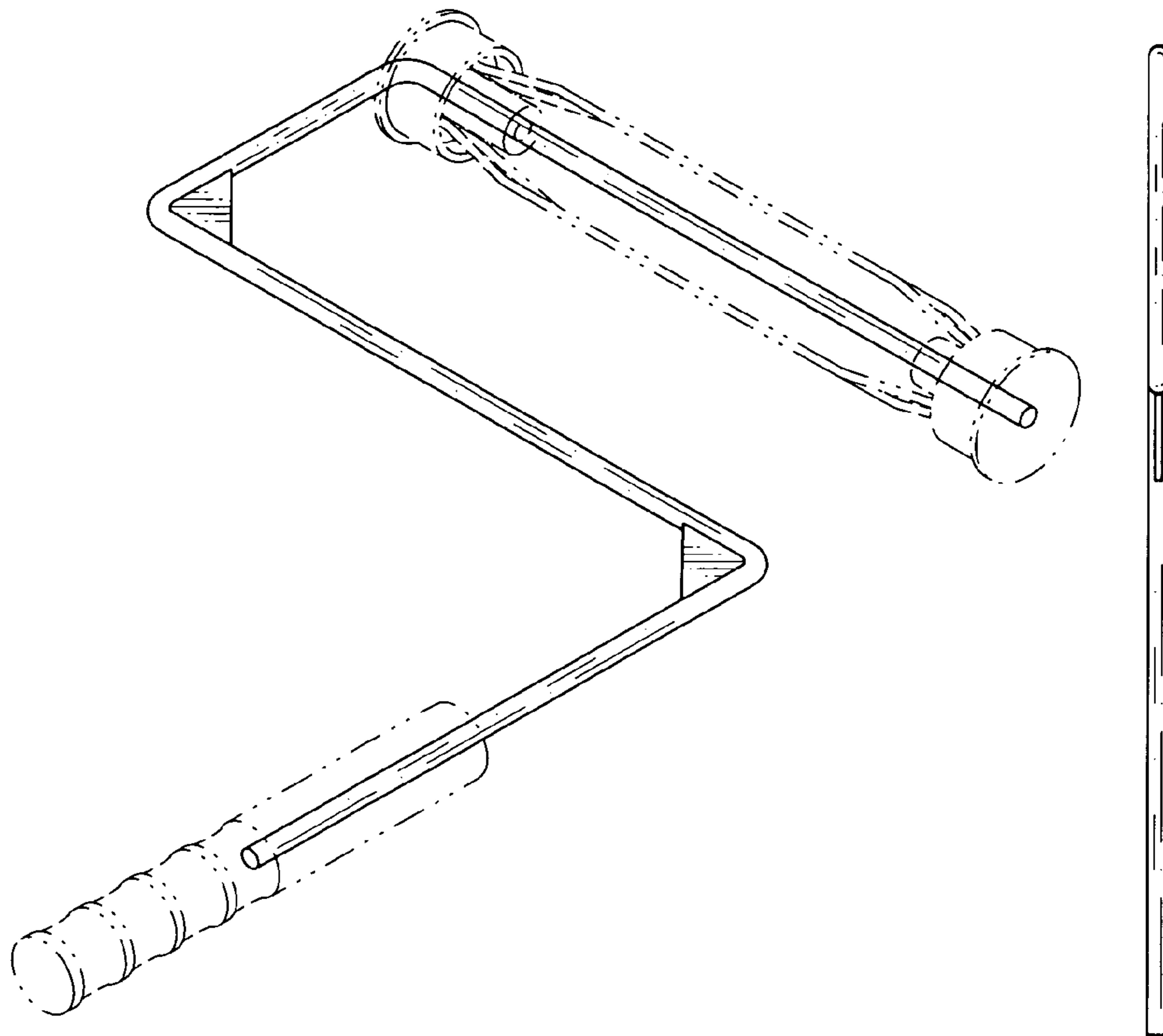
FIG. 4 is a right side elevational view thereof.

FIG. 5 is a top plan view thereof.

FIG. 6 is a bottom plan view thereof; and,

FIG. 7 is a view related to FIG. 1, but is a rear perspective view thereof.

1 Claim, 2 Drawing Sheets



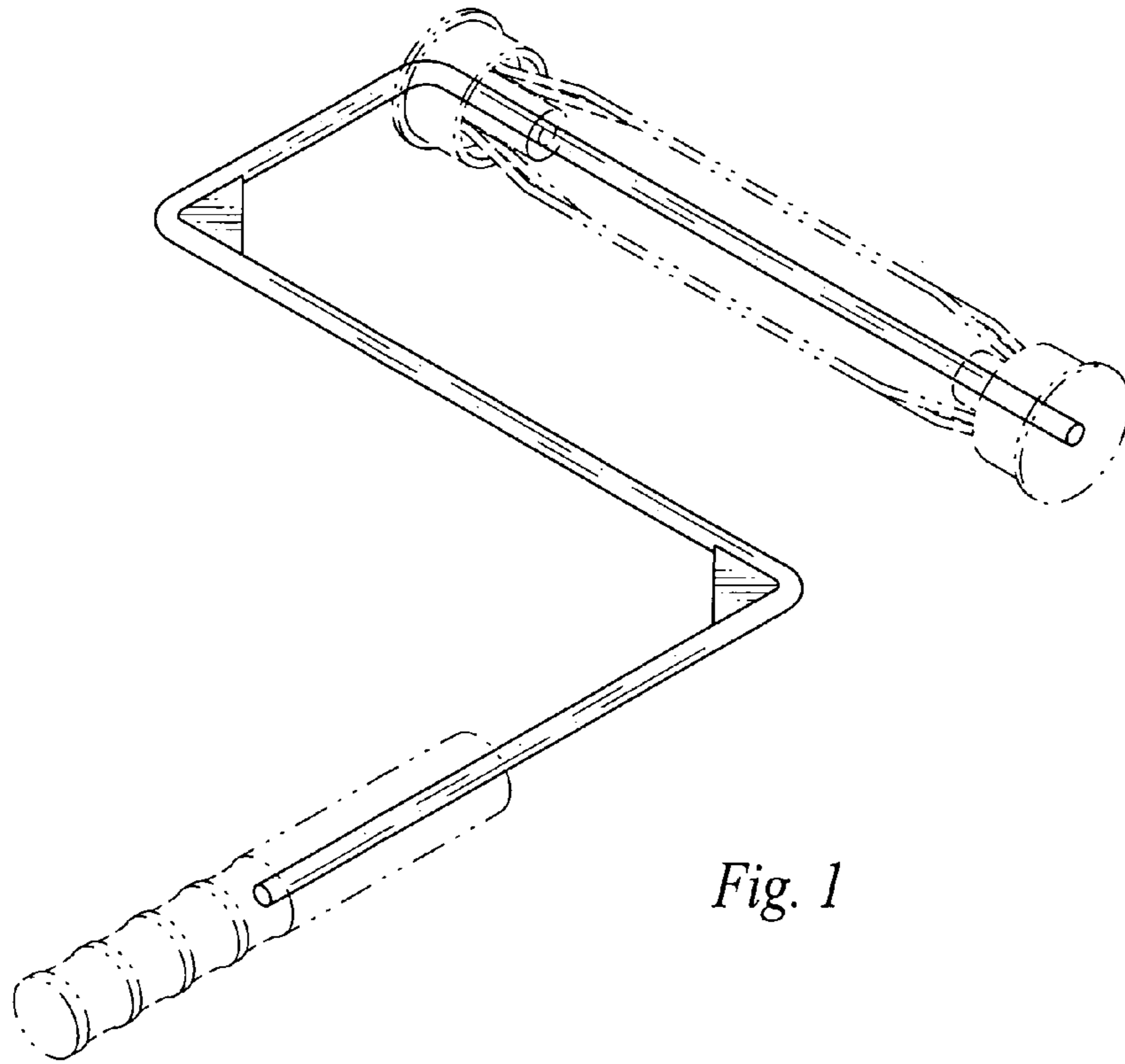


Fig. 1

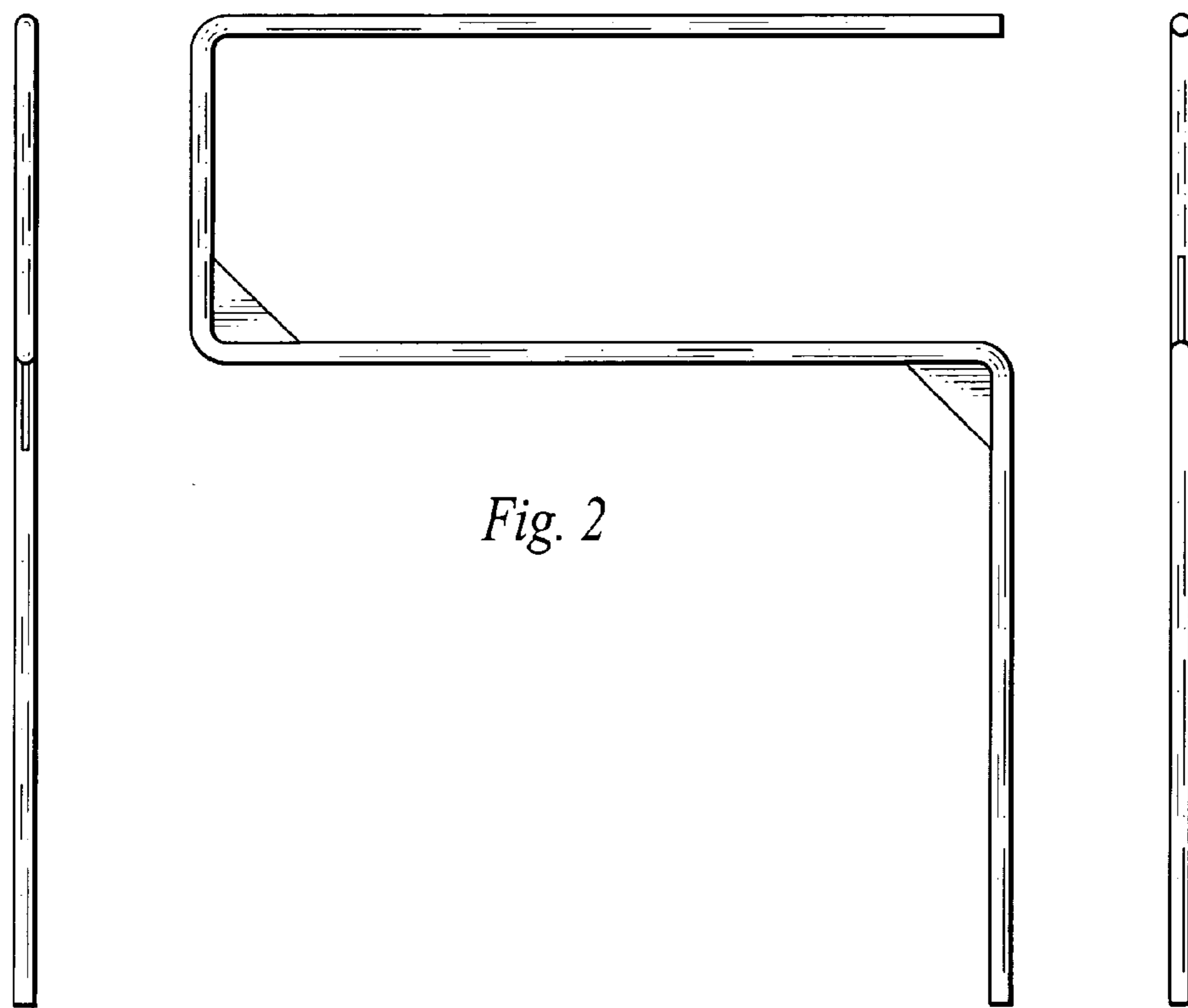


Fig. 2



Fig. 3

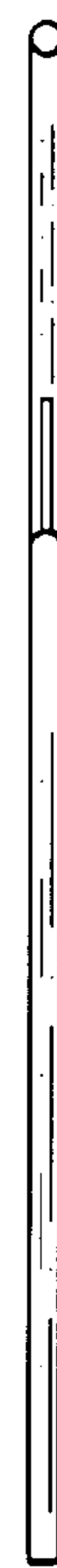


Fig. 4



Fig. 5



Fig. 6

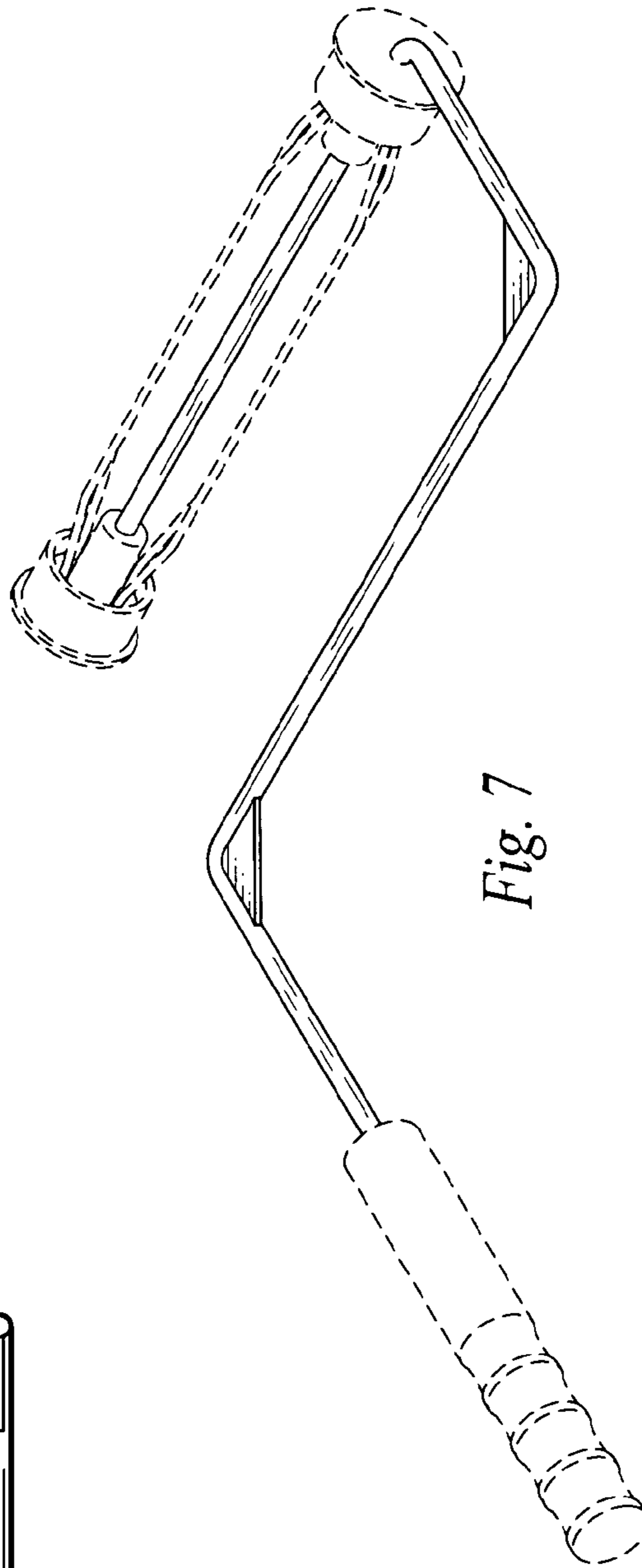


Fig. 7