



US00D603601S

(12) **United States Design Patent**
Ohta et al.

(10) **Patent No.:** **US D603,601 S**
(45) **Date of Patent:** **** Nov. 10, 2009**

(54) **KEY CASE**

(76) Inventors: **Tsuyoshi Ohta**, 3-1-2-437
Shiyokohama, Kohoku-ku, Kanagawa,
Yokohama-shi (JP); **Rumi Ohta**,
3-1-2-437 Shiyokohama, Kohoku-ku,
Kanagawa, Yokohama-shi (JP)

(**) Term: **14 Years**

(21) Appl. No.: **29/323,734**

(22) Filed: **Aug. 29, 2008**

Related U.S. Application Data

(62) Division of application No. 29/298,825, filed on Dec.
13, 2007, now Pat. No. Des. 580,818.

(30) **Foreign Application Priority Data**

Jun. 14, 2007 (JP) 2007-19078
Jun. 14, 2007 (JP) 2007-19079
Jun. 14, 2007 (JP) 2007-19081

(51) **LOC (9) Cl.** **03-01**

(52) **U.S. Cl.** **D3/207**

(58) **Field of Classification Search** D3/207-212;
D11/31-33, 44, 48-51, 66; 70/456 R, 456 B,
70/457-460; 24/3.6; D13/168; 362/116;
D8/348

See application file for complete search history.

(56) **References Cited**

U.S. PATENT DOCUMENTS

D394,153 S 5/1998 Martin
D399,051 S 10/1998 Wu
D423,396 S 4/2000 Wolf
D440,902 S 4/2001 Wolf
D456,600 S 5/2002 Gadson
D458,183 S 6/2002 Namdar

D461,047 S 8/2002 Peterson
D476,256 S 6/2003 Namber
D478,528 S 8/2003 Mehta et al.
D479,708 S 9/2003 Hwang et al.
D495,483 S 9/2004 Vickers et al.
D506,411 S 6/2005 Krochmal
D537,379 S 2/2007 Namdar
D542,025 S * 5/2007 Vincent D3/208
D545,238 S 6/2007 Krochmal
D551,851 S * 10/2007 Vincent D3/208
D553,850 S 10/2007 Trower
D566,609 S 4/2008 Novikov

* cited by examiner

Primary Examiner—R. Seifert

(74) *Attorney, Agent, or Firm*—Lucas & Mercanti, LLP

(57) **CLAIM**

The new and ornamental design for the key case, substantially
as shown and described.

DESCRIPTION

This article is a key case in which a card-type or box-type
electronic key is housed.

FIG. 1 is a reference perspective view of the key case,

FIG. 2 is a front view of the key case,

FIG. 3 is a rear view of the key case,

FIG. 4 is a left side view of the key case,

FIG. 5 is a right side view of the key case,

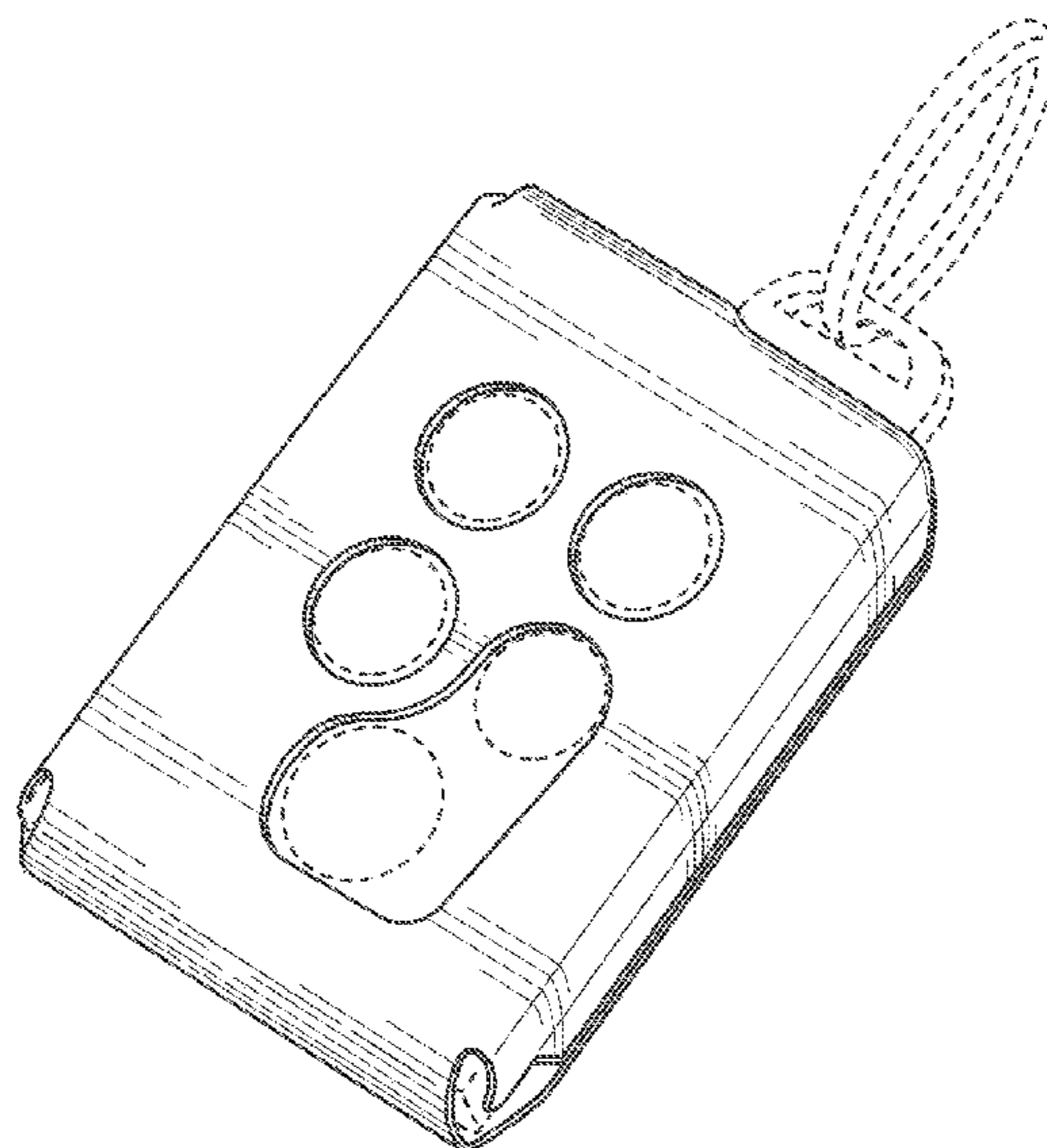
FIG. 6 is a top view of the key case; and,

FIG. 7 is a bottom view of the key case.

This article is a key case in which a card-type or box-type
electronic key is housed.

It being understood that the broken lines are for illustrative
purposes only and form no part of the claimed design.

1 Claim, 4 Drawing Sheets



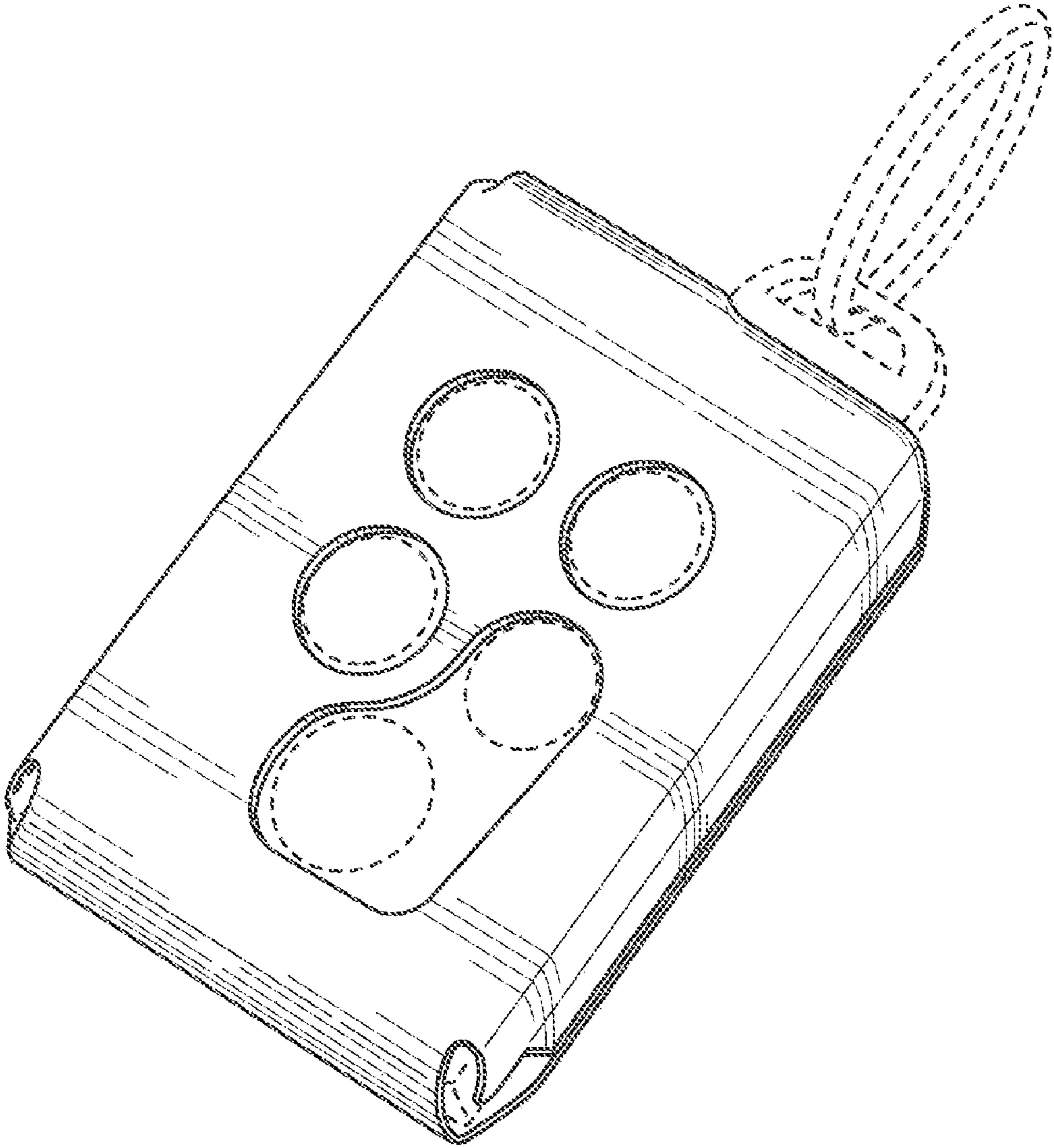


FIG. 1

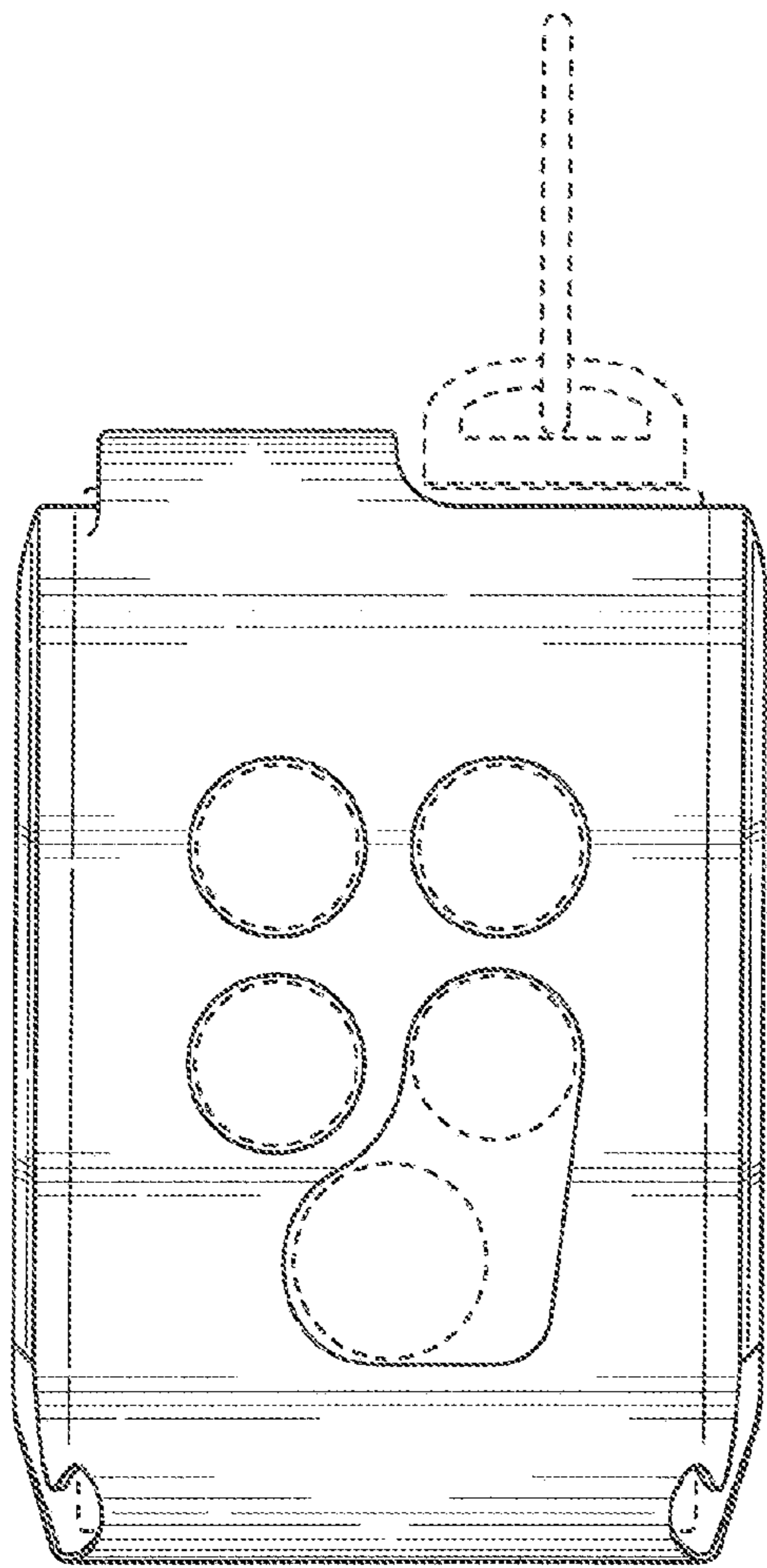


FIG. 2

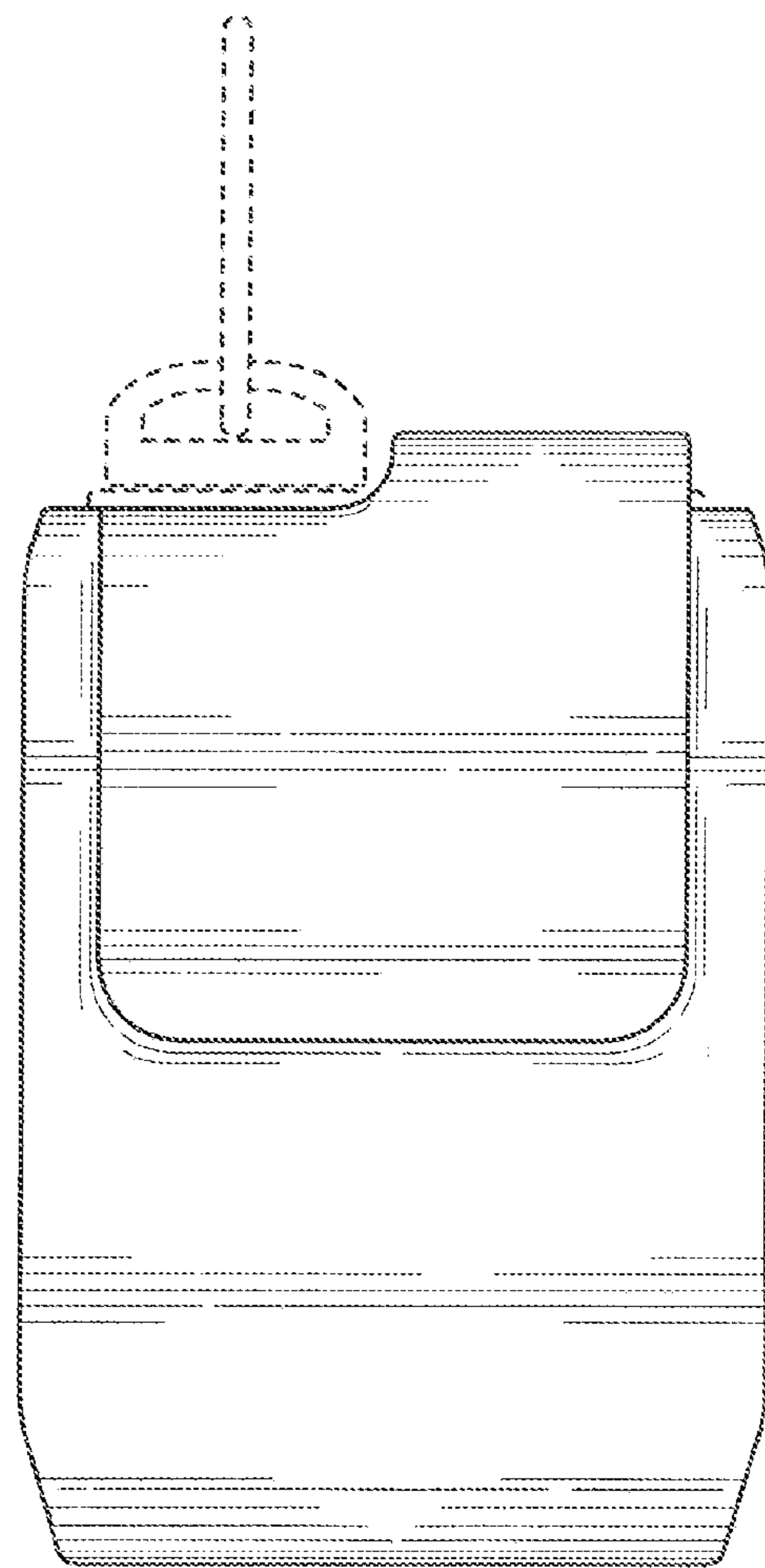


FIG. 3

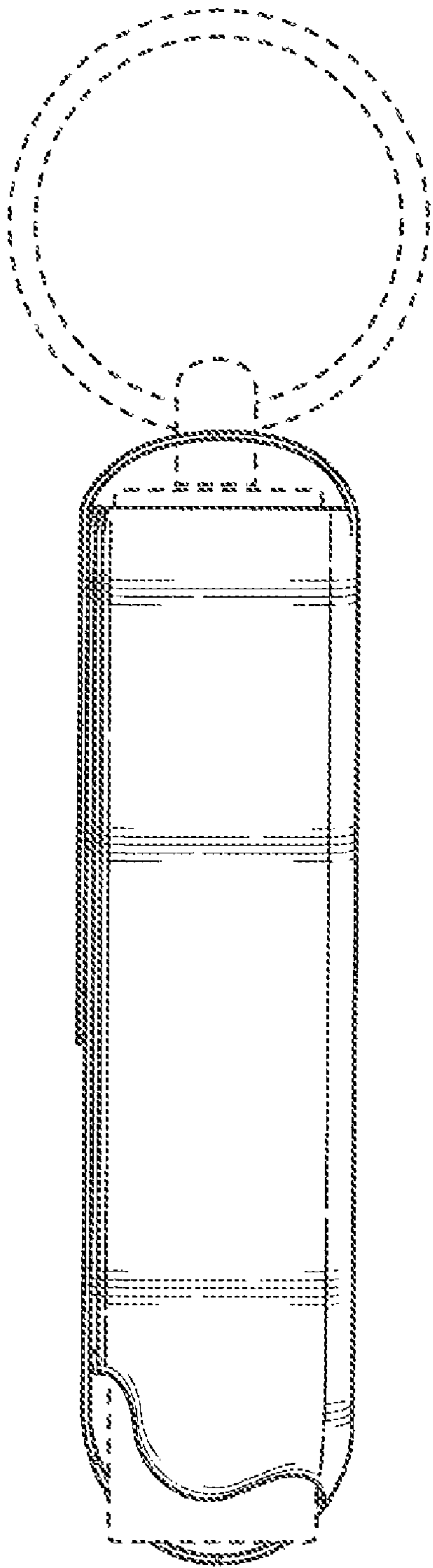


FIG. 4

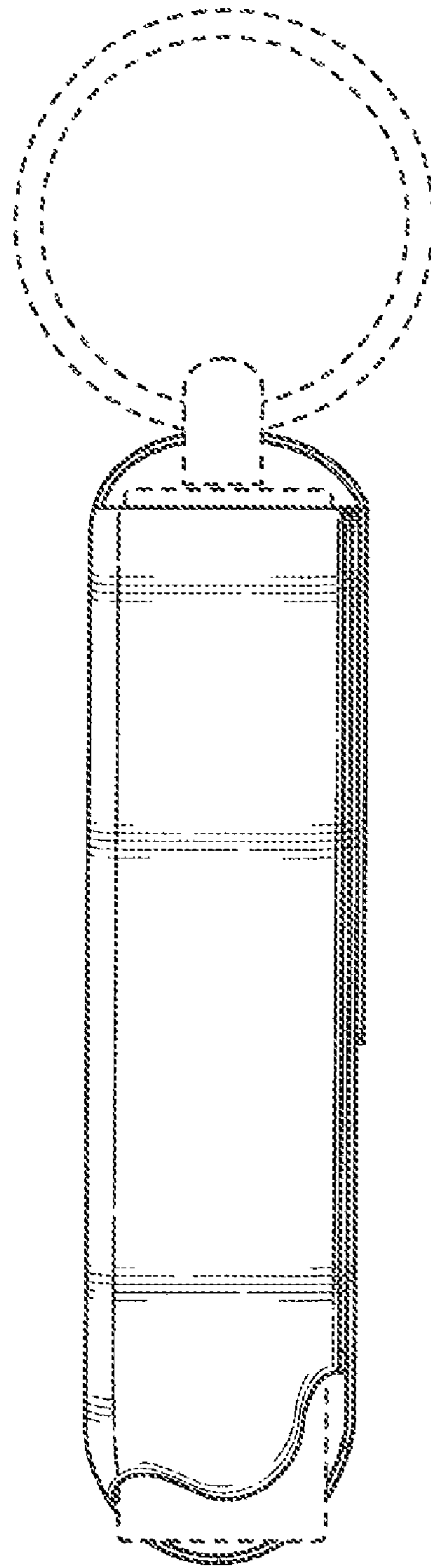


FIG. 5

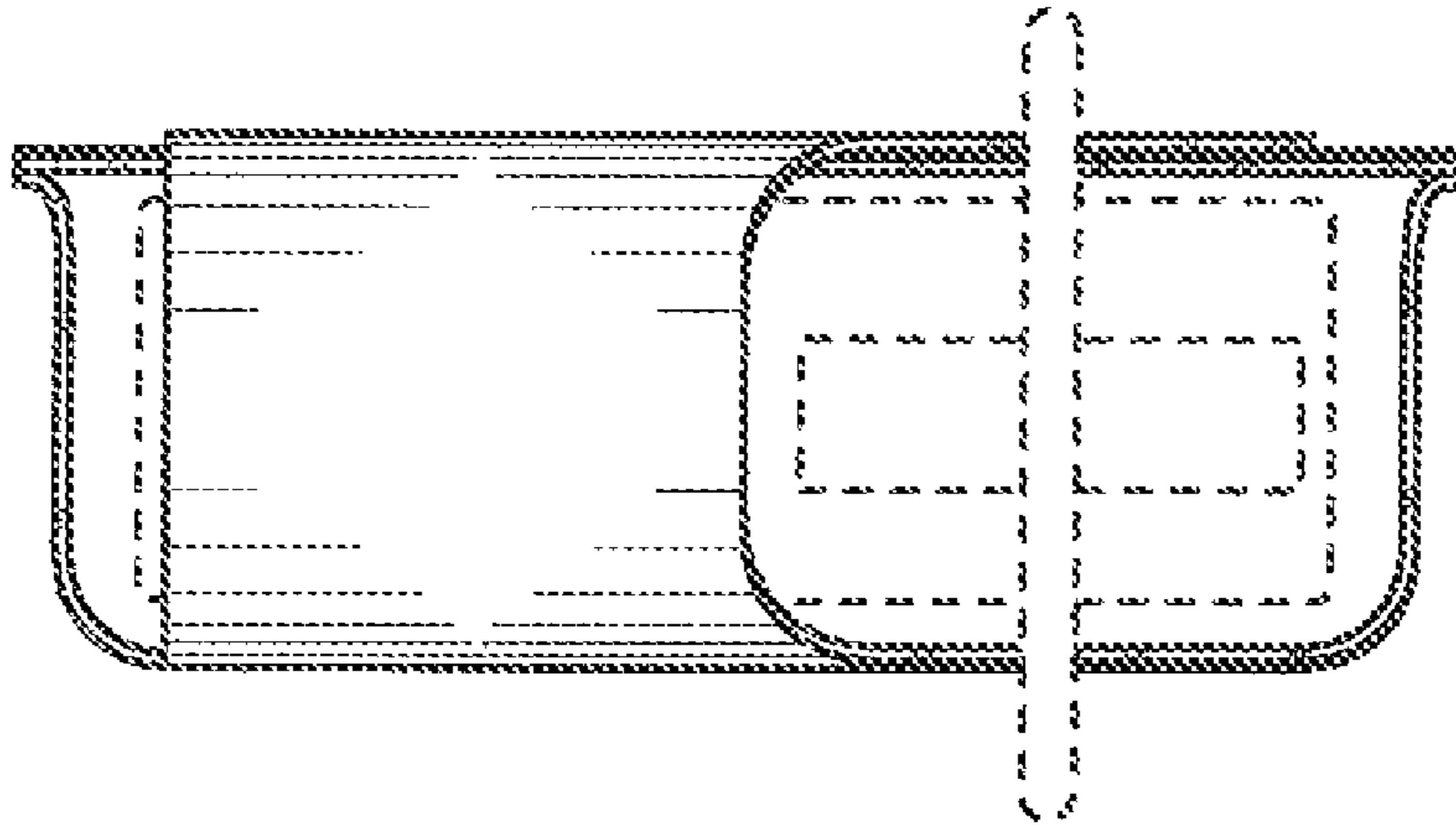


FIG. 6

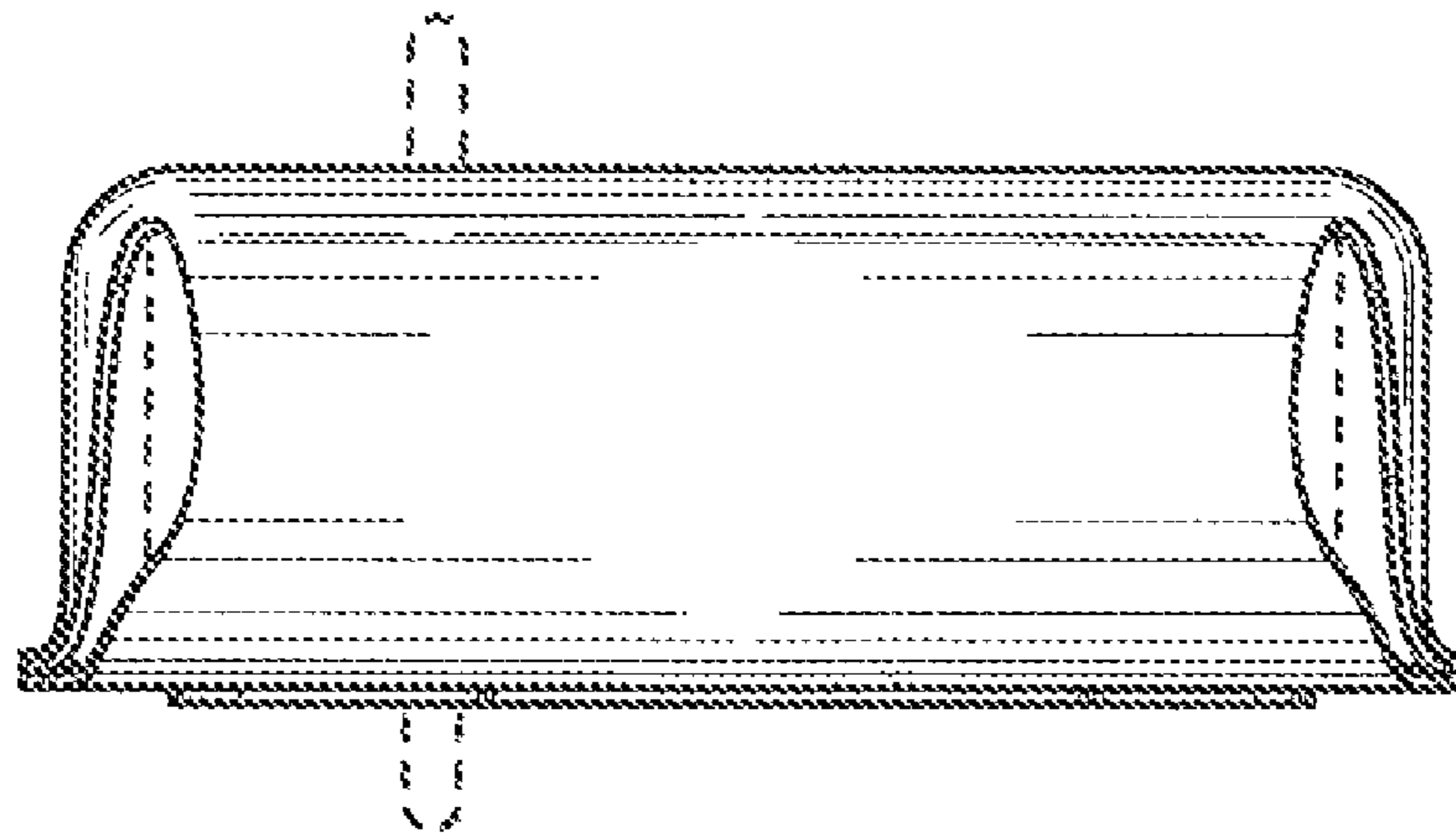


FIG. 7