



US00D603591S

(12) **United States Design Patent**
McClaskie

(10) **Patent No.:** **US D603,591 S**

(45) **Date of Patent:** **** Nov. 10, 2009**

(54) **SHOE OUTSOLE**

(75) **Inventor:** **Thomas E. McClaskie**, Bethlehem, PA
(US)

(73) **Assignee:** **Columbia Insurance Company**,
Omaha, NE (US)

(**) **Term:** **14 Years**

(21) **Appl. No.:** **29/332,669**

(22) **Filed:** **Feb. 23, 2009**

(51) **LOC (9) Cl.** **02-04**

(52) **U.S. Cl.** **D2/952; D2/951; D2/953**

(58) **Field of Classification Search** D2/902,
D2/951, 952, 953, 956, 957, 959, 960; D5/16,
D5/37; 36/3 B, 22 R, 25 R, 28, 59 C
See application file for complete search history.

(56) **References Cited**

U.S. PATENT DOCUMENTS

D87,994 S *	10/1932	George	D5/16
2,016,178 A *	10/1935	Riddock	36/32 R
D223,278 S *	4/1972	Mallon	D6/583
D230,311 S *	2/1974	Kimura	D5/37
D495,856 S	9/2004	McClaskie		
D508,331 S *	8/2005	Bo rschinger	D5/37
D513,840 S	1/2006	Urie et al.		
D540,515 S *	4/2007	McClaskie	D2/952
D542,015 S	5/2007	McClaskie		
D546,530 S	7/2007	McClaskie		
D548,434 S	8/2007	McClaskie		
D553,832 S	10/2007	McClaskie		
D555,338 S	11/2007	McClaskie		
D557,883 S	12/2007	McClaskie		
D557,884 S	12/2007	McClaskie		
D558,963 S	1/2008	McClaskie		

D559,507 S	1/2008	McClaskie		
D572,016 S *	7/2008	Kim et al.	D5/37
D573,345 S *	7/2008	Yuson	D3/322
D584,886 S *	1/2009	Issler	D2/952
D587,439 S *	3/2009	Issler	D2/952
D588,790 S *	3/2009	Issler	D2/952
D590,141 S *	4/2009	McClaskie	D2/952
D591,942 S *	5/2009	McClaskie	D2/952
D592,388 S *	5/2009	Issler	D2/952
D593,734 S *	6/2009	Issler	D2/952
D594,192 S *	6/2009	Issler	D2/952

* cited by examiner

Primary Examiner—Celia A Murphy

(74) *Attorney, Agent, or Firm*—St. Onge Steward Johnston & Reens LLC

(57) **CLAIM**

The ornamental design for a shoe outsole, as shown and described.

DESCRIPTION

FIG. 1 is a bottom perspective view of a shoe outsole in accordance with my new design;

FIG. 2 is a top view thereof;

FIG. 3 is a bottom view thereof;

FIG. 4 is a left side view thereof;

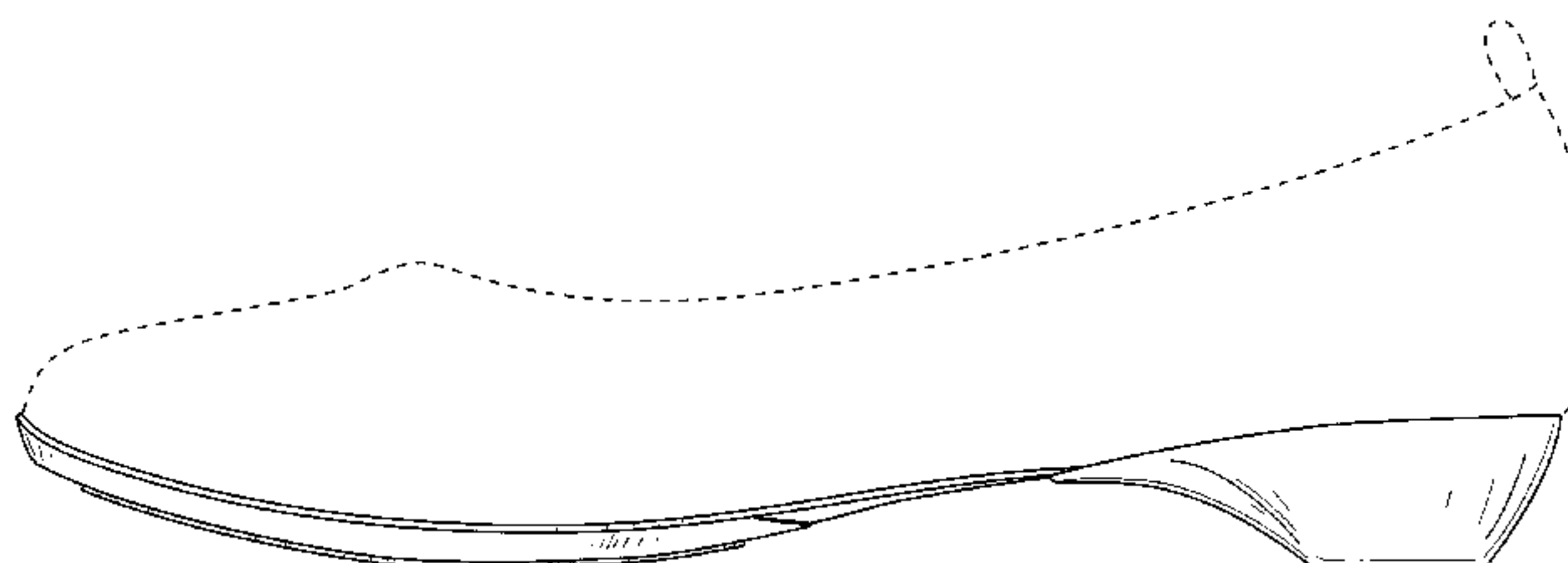
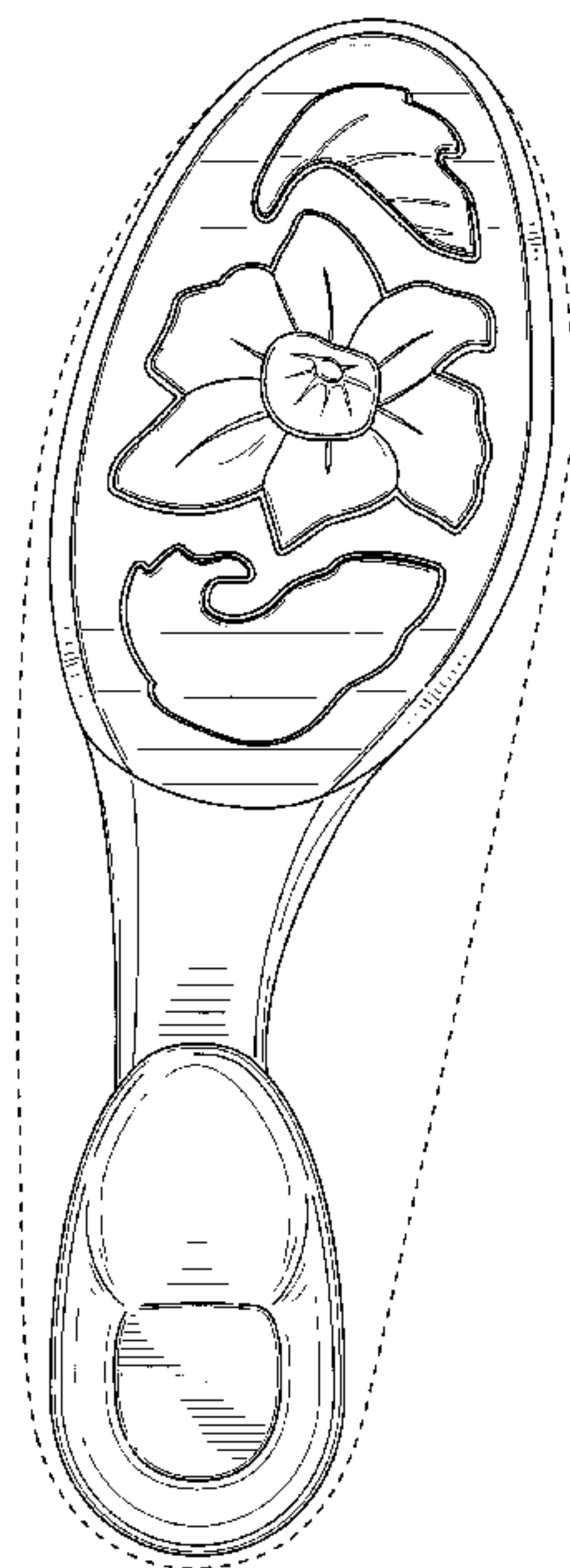
FIG. 5 is a right side view thereof;

FIG. 6 is a front view thereof; and,

FIG. 7 is a rear view thereof.

The broken lines showing a shoe upper in FIGS. 1–2 and 4–7, represent the portion of the design that forms no part of the claim.

1 Claim, 7 Drawing Sheets



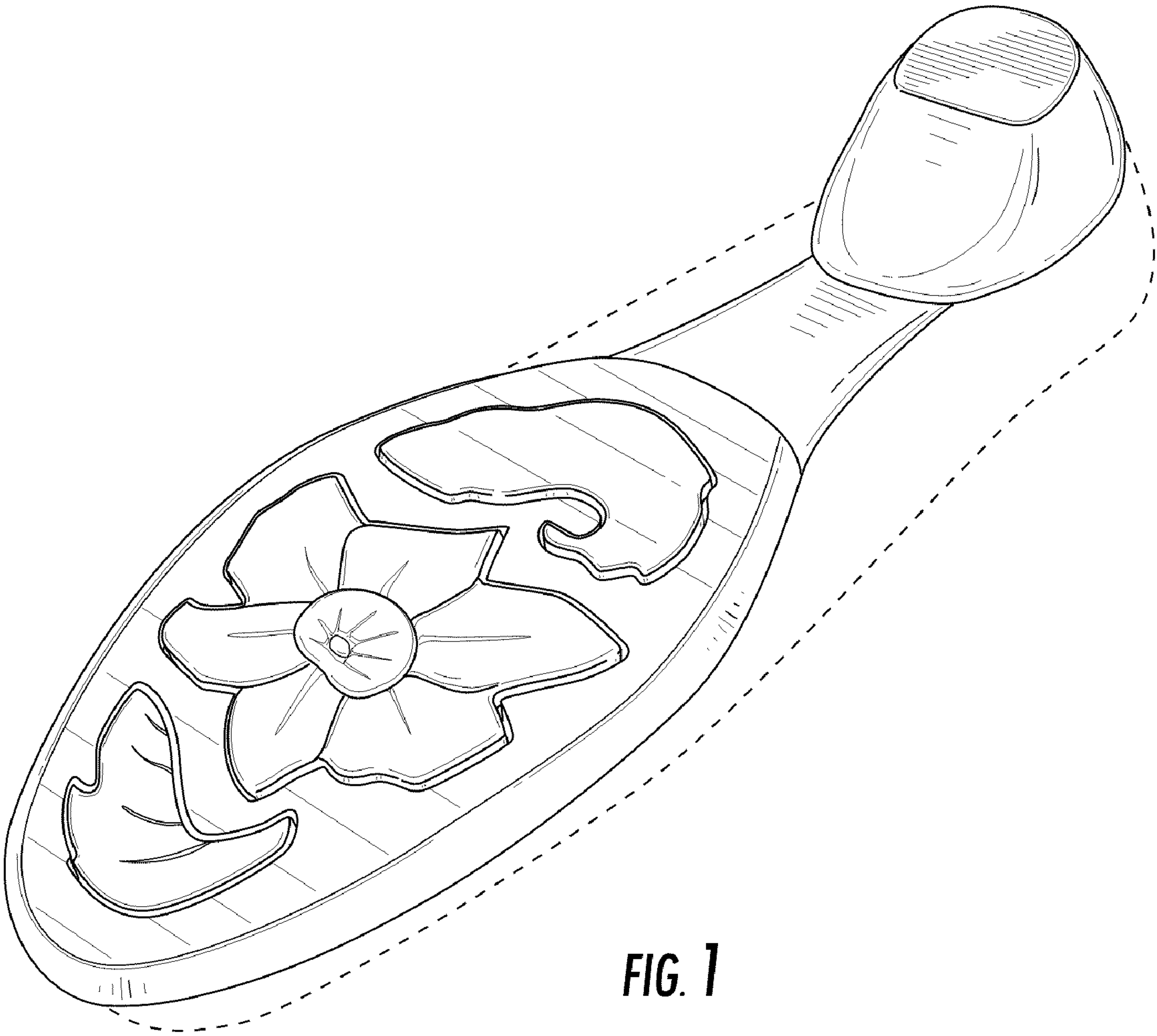


FIG. 1

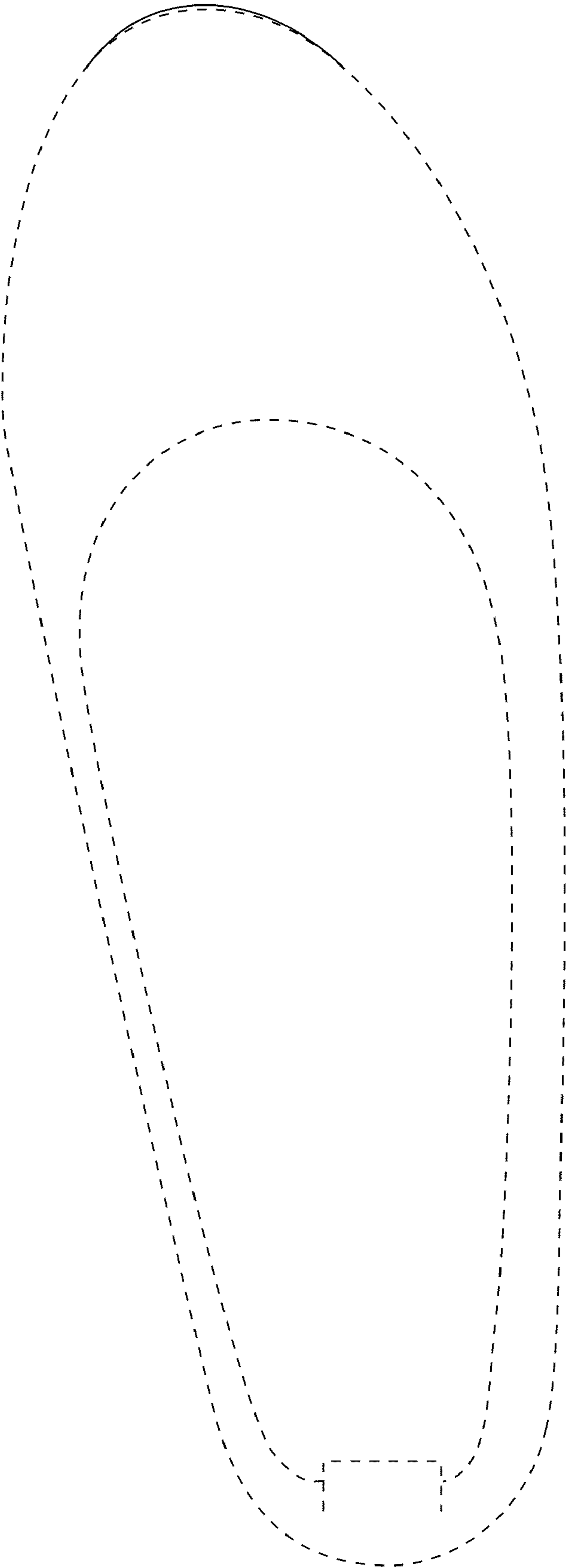


FIG. 2

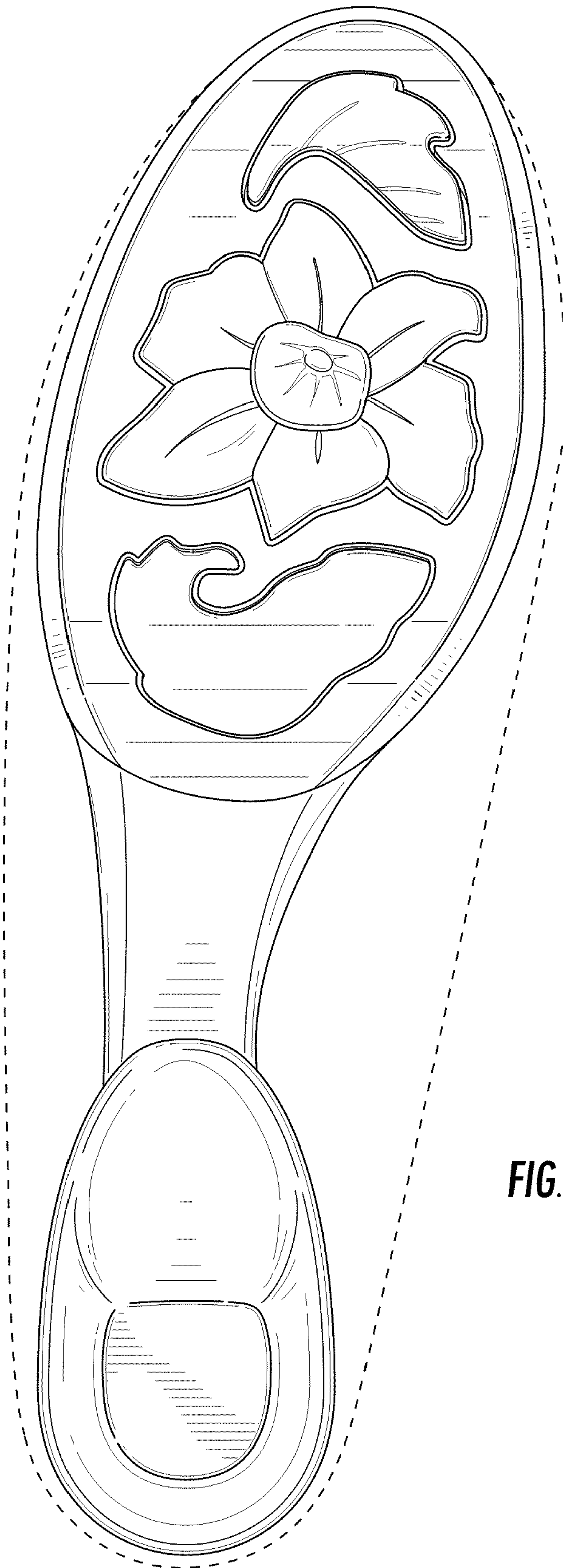


FIG. 3

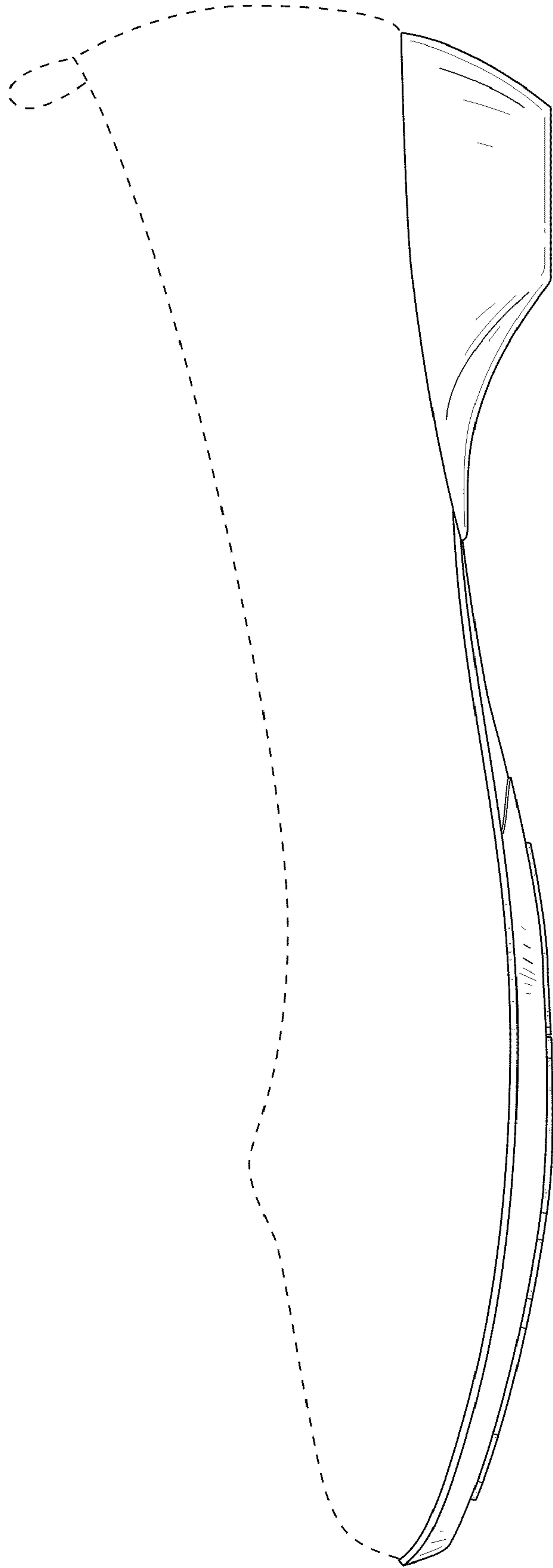


FIG. 4

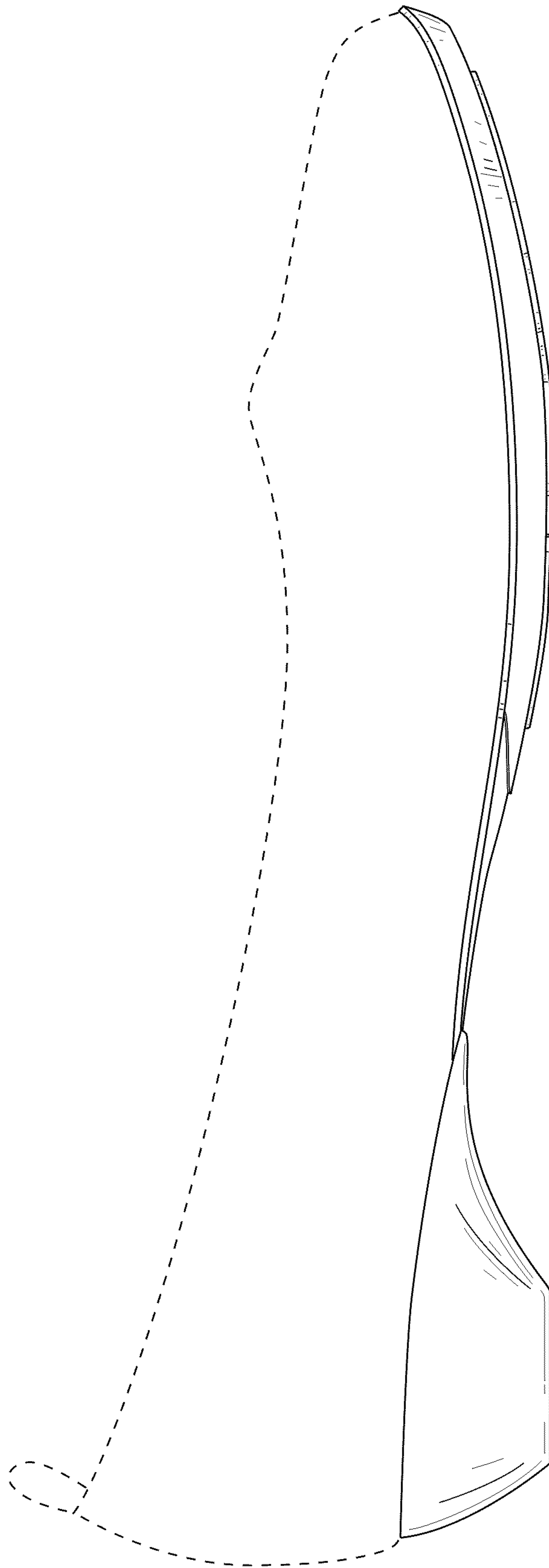


FIG. 5

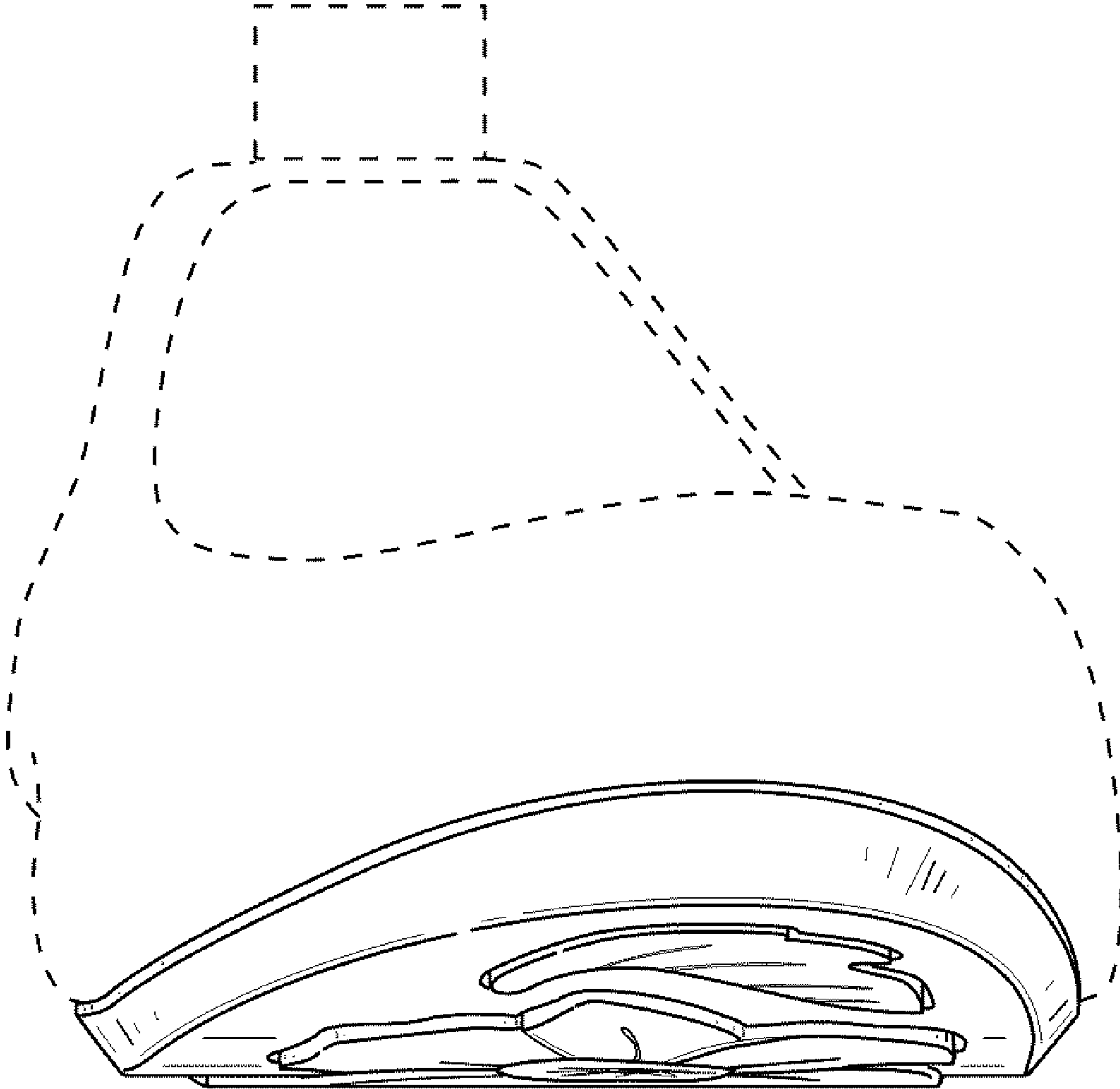


FIG. 6

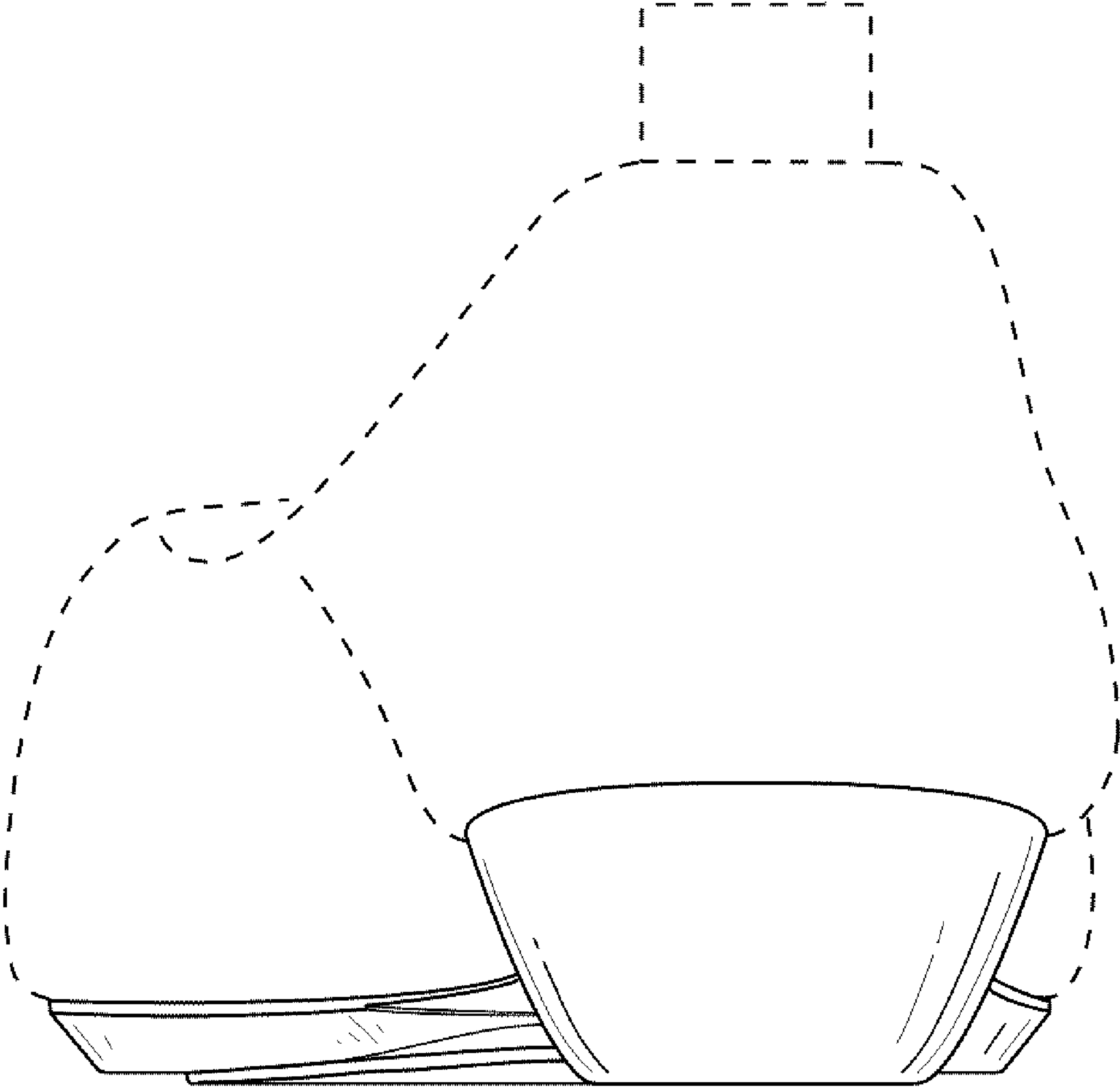


FIG. 7