



US00D603585S

(12) **United States Design Patent**
Capriola

(10) **Patent No.:** **US D603,585 S**

(45) **Date of Patent:** **** Nov. 10, 2009**

(54) **VIDEO HAT**

(76) **Inventor:** **Jonathan Paul Capriola**, 4374 S.
Lockwood Ridge Rd., Sarasota, FL (US)
34231

(**) **Term:** **14 Years**

(21) **Appl. No.:** **29/275,052**

(22) **Filed:** **Dec. 11, 2006**

(51) **LOC (9) Cl.** **02-03**

(52) **U.S. Cl.** **D2/866; D2/895**

(58) **Field of Classification Search** D2/865,
D2/866, 872, 873, 876, 879, 882, 884, 886,
D2/891, 892, 893, 894, 895, 870, 878, 880,
D2/881; D6/300; D11/132, 140, 40, 75,
D11/86; D14/448, 450, 371, 126; D20/15,
D20/27; 2/10, 12, 425, 171.4, 171.5, 174,
2/183, 184, 175.1, 175.2, 175.3, 175.4, 175.5,
2/195.3, 209.11, 209.12, 209.13, 209.14

See application file for complete search history.

(56) **References Cited**

U.S. PATENT DOCUMENTS

390,702	A *	10/1888	Pflueger	54/76
D37,307	S *	1/1905	Coolins, Jr.	D6/300
D39,640	S *	10/1908	Eustis	D6/300
1,000,426	A *	8/1911	Merritt	2/171.2
D58,302	S *	7/1921	Bartholomew	D2/865
2,336,192	A *	12/1943	Rouse	24/114.7
2,424,624	A *	7/1947	Moore	2/10
2,965,394	A *	12/1960	Bresler	281/44
3,481,087	A *	12/1969	Stafford	52/2.19
D228,720	S *	10/1973	Cowan	D6/300
3,895,797	A *	7/1975	Moore	473/406
D277,114	S *	1/1985	Gordon	D20/11
4,667,274	A *	5/1987	Daniel	362/106
4,716,599	A *	1/1988	Bell	2/195.1
D303,314	S *	9/1989	Pridgen	D2/866
D311,266	S *	10/1990	Parker	D2/866
5,070,545	A *	12/1991	Tapia	40/329

5,088,127	A *	2/1992	Thornock	2/209.13
5,111,366	A *	5/1992	Rife et al.	362/605
5,136,726	A *	8/1992	Kellin et al.	2/244
5,276,985	A *	1/1994	Halloran	40/329
5,359,733	A *	11/1994	Brannon et al.	2/195.1
D353,036	S *	12/1994	Lackey	D2/869
D359,383	S *	6/1995	Hutchinson et al.	D2/866
5,437,062	A *	8/1995	Douglas	2/195.1
5,477,629	A *	12/1995	Gleason, Jr.	40/329
5,479,325	A *	12/1995	Chien	362/105
5,740,557	A *	4/1998	Reid et al.	2/209.13

(Continued)

FOREIGN PATENT DOCUMENTS

AU 304976 S * 1/2006

(Continued)

Primary Examiner—Elizabeth A Albert

Assistant Examiner—Karen E Eldridge Powers

(74) *Attorney, Agent, or Firm*—Allen Dyer Doppelt Milbrath & Gilchrist

(57) **CLAIM**

The ornamental design for video hat, as shown and described.

DESCRIPTION

FIG. 1 is a front elevational view of a video hat of the present invention, illustrated as used with a baseball cap;

FIG. 2 is a right-side elevational view thereof, the left-side elevational view being a mirror image thereof,

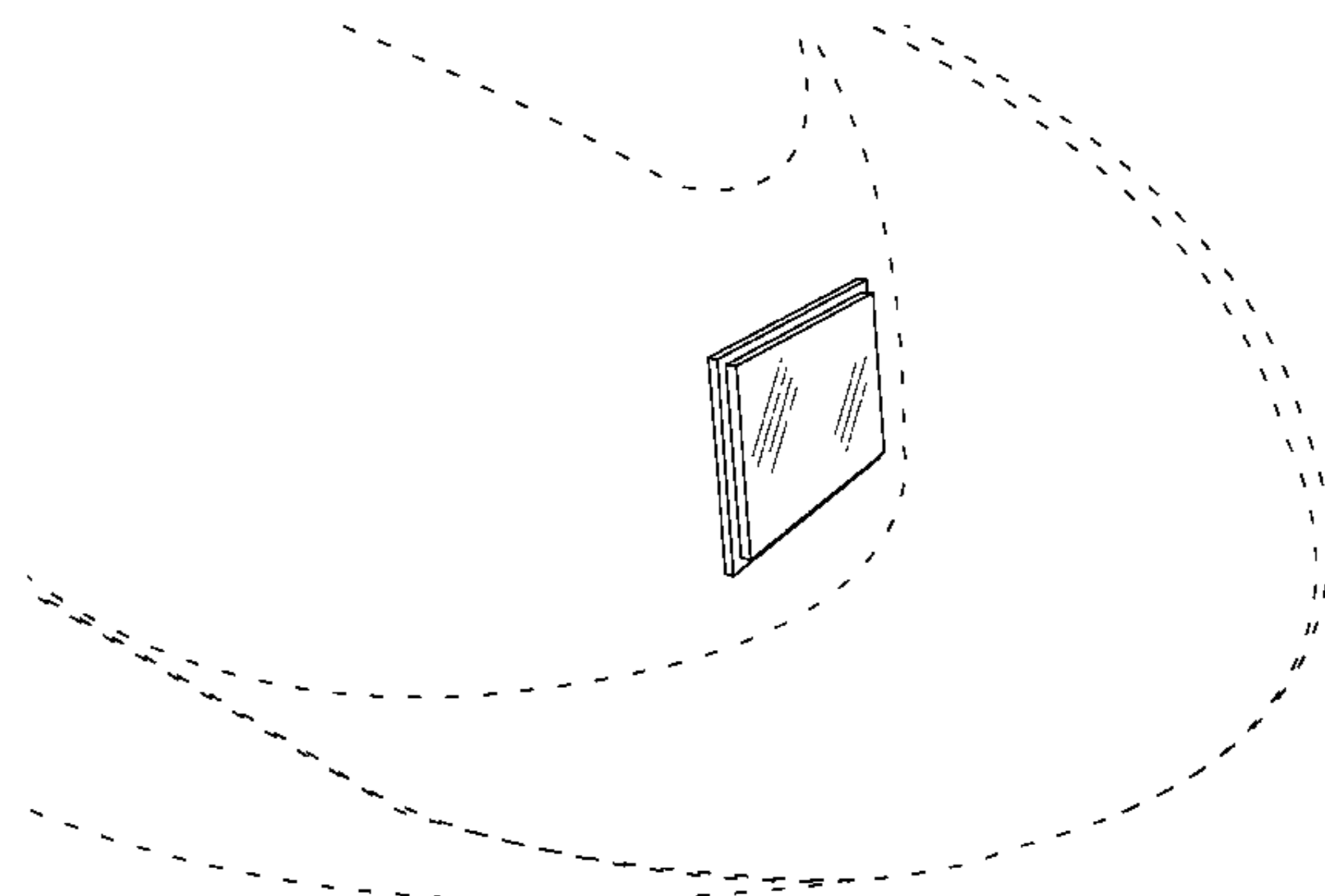
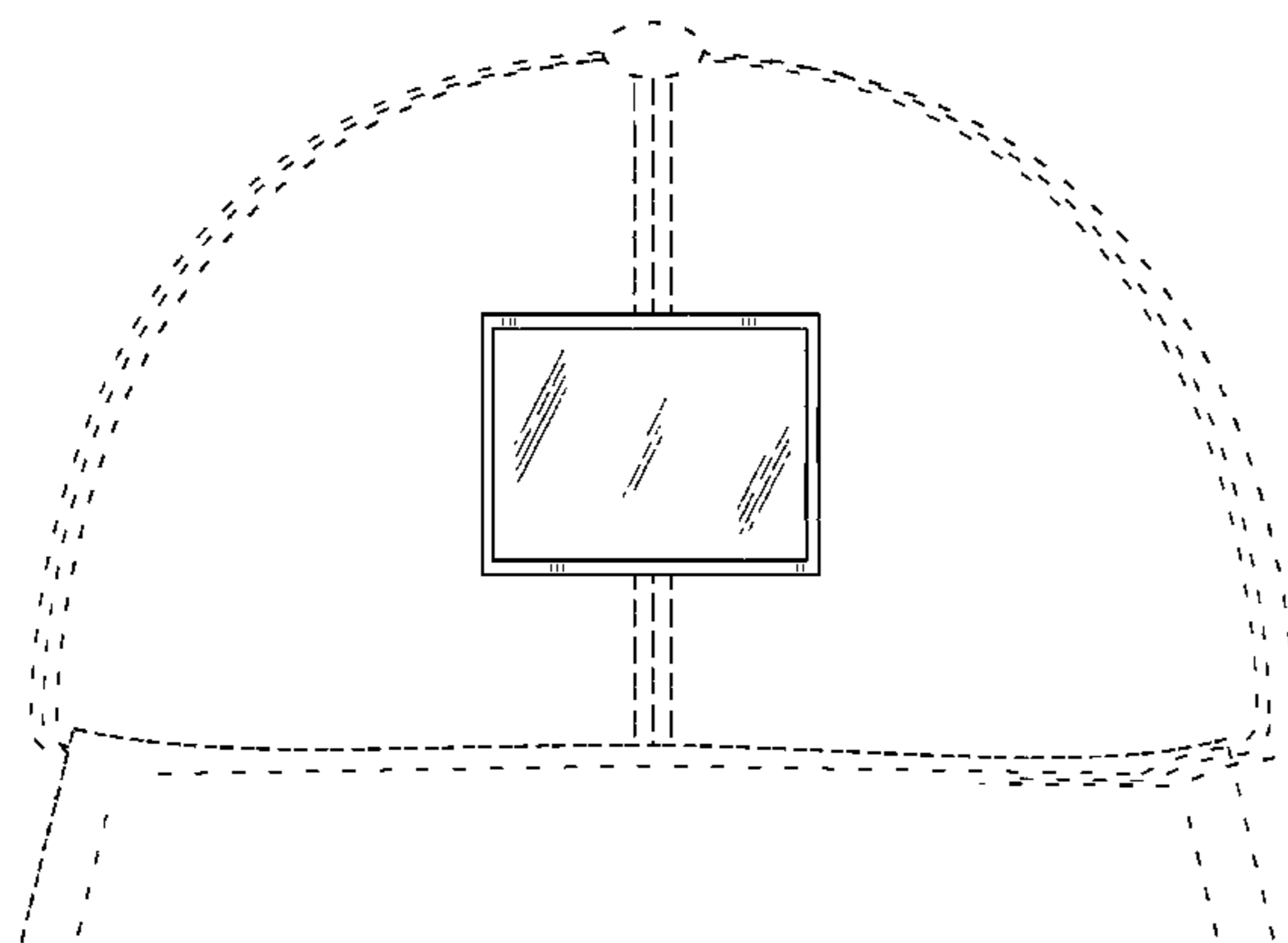
FIG. 3 is a top plan view thereof;

FIG. 4 is a front elevational view thereof, illustrated as used with a visor; and,

FIG. 5 is a front perspective view thereof, illustrated as used with a cowboy hat.

The broken lines shown in all the drawings illustrate environmental matter and form no part of the claimed design.

1 Claim, 5 Drawing Sheets



US D603,585 S

Page 2

U.S. PATENT DOCUMENTS

5,829,063 A * 11/1998 Cheng 2/209.13
5,862,523 A * 1/1999 Proctor 2/209.11
D407,432 S * 3/1999 Tell D19/26
D407,890 S * 4/1999 Frank D2/884
6,032,394 A * 3/2000 Hand et al. 40/651
6,061,836 A * 5/2000 Peters 2/175.6
6,163,889 A * 12/2000 Tate 2/209.13
6,175,963 B1 * 1/2001 Loeffelholz 2/209.13
6,240,568 B1 * 6/2001 Lee 2/209.13
6,322,866 B1 * 11/2001 Sloat 428/40.1
6,519,779 B1 * 2/2003 Taguchi 2/209.12
D474,000 S * 5/2003 O'Dell et al. D2/882
6,643,847 B1 * 11/2003 Dornak 2/195.1
D485,311 S * 1/2004 Kosek D20/10
6,729,058 B2 * 5/2004 Ferguson 40/636

D508,535 S * 8/2005 Kosek D20/10
6,966,851 B1 * 11/2005 England et al. 473/406
D517,782 S * 3/2006 Hunter D2/886
7,146,649 B2 * 12/2006 Kronenbeger 2/195.1
D543,014 S * 5/2007 Sharpe et al. D2/884
7,243,377 B2 * 7/2007 Ashy 2/209.13
2001/0034894 A1 * 11/2001 Godfrey et al. 2/209.13
2004/0093658 A1 * 5/2004 Jackson 2/195.1
2005/0214495 A1 * 9/2005 Thiebaut 428/40.1
2006/0048272 A1 * 3/2006 Tison 2/175.1
2006/0290594 A1 * 12/2006 Engel et al. 345/4

FOREIGN PATENT DOCUMENTS

EM 000153341-0002 * 6/2004
EM 000393319-0001 * 10/2005

* cited by examiner

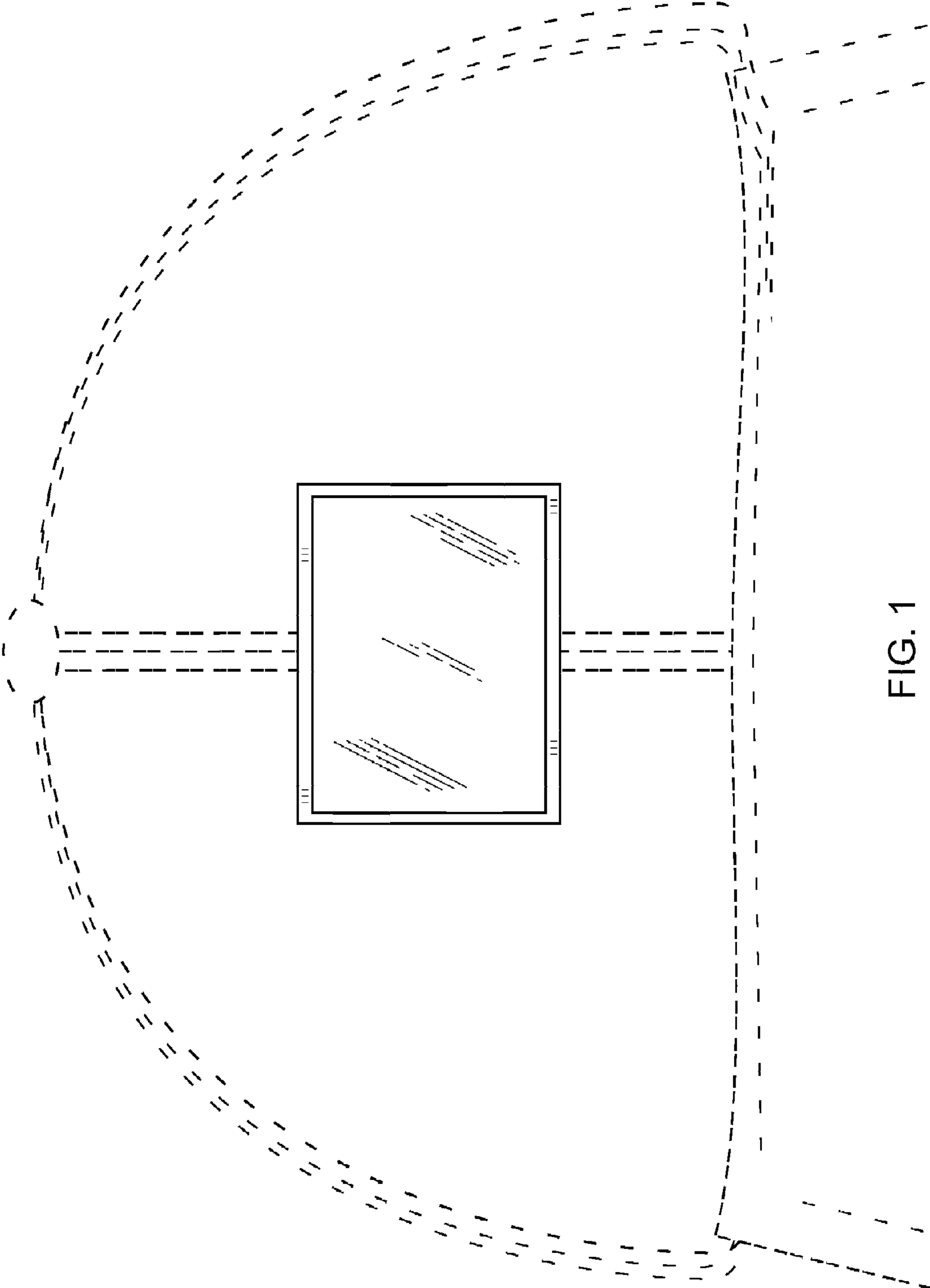


FIG. 1

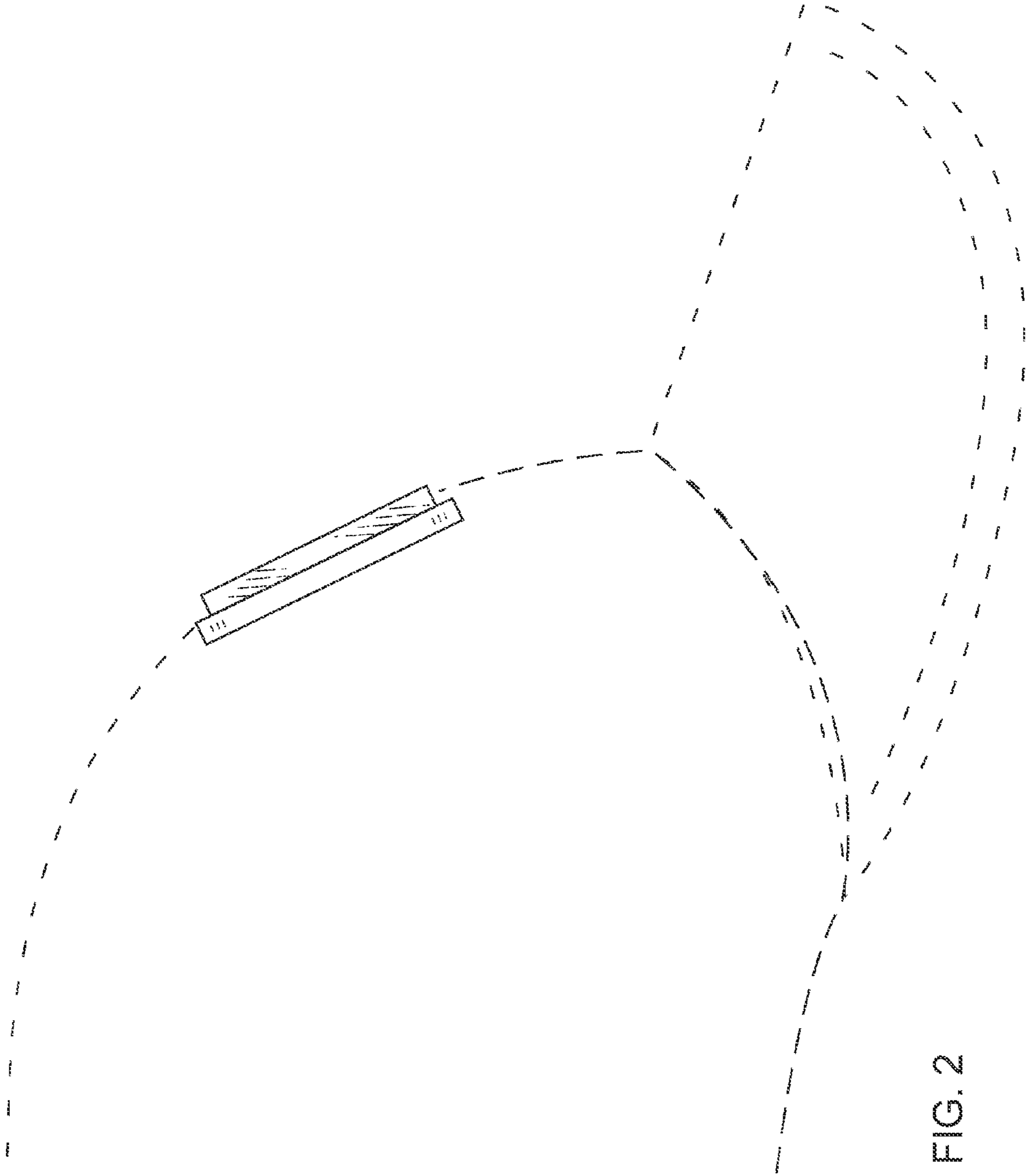


FIG. 2

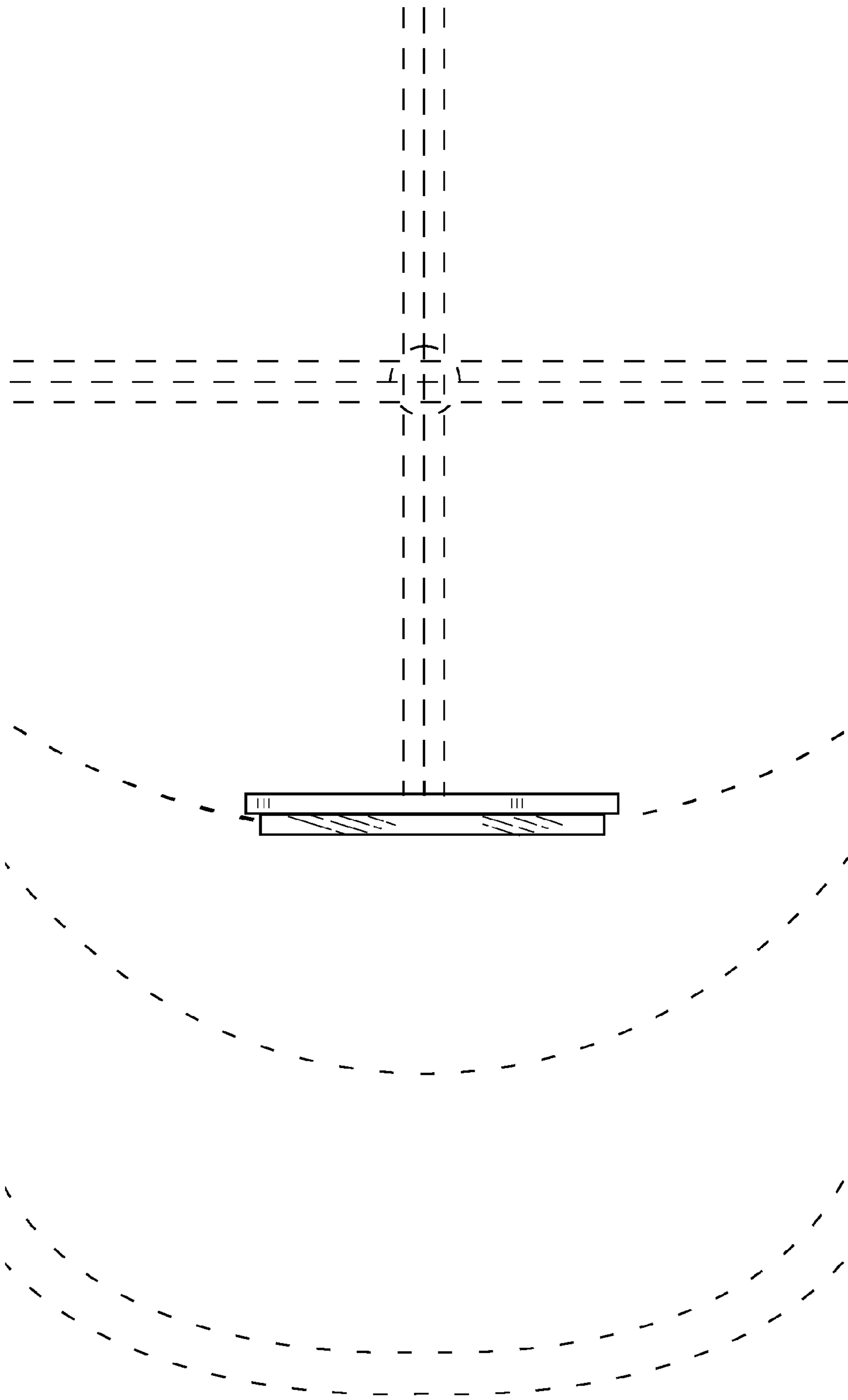


FIG. 3

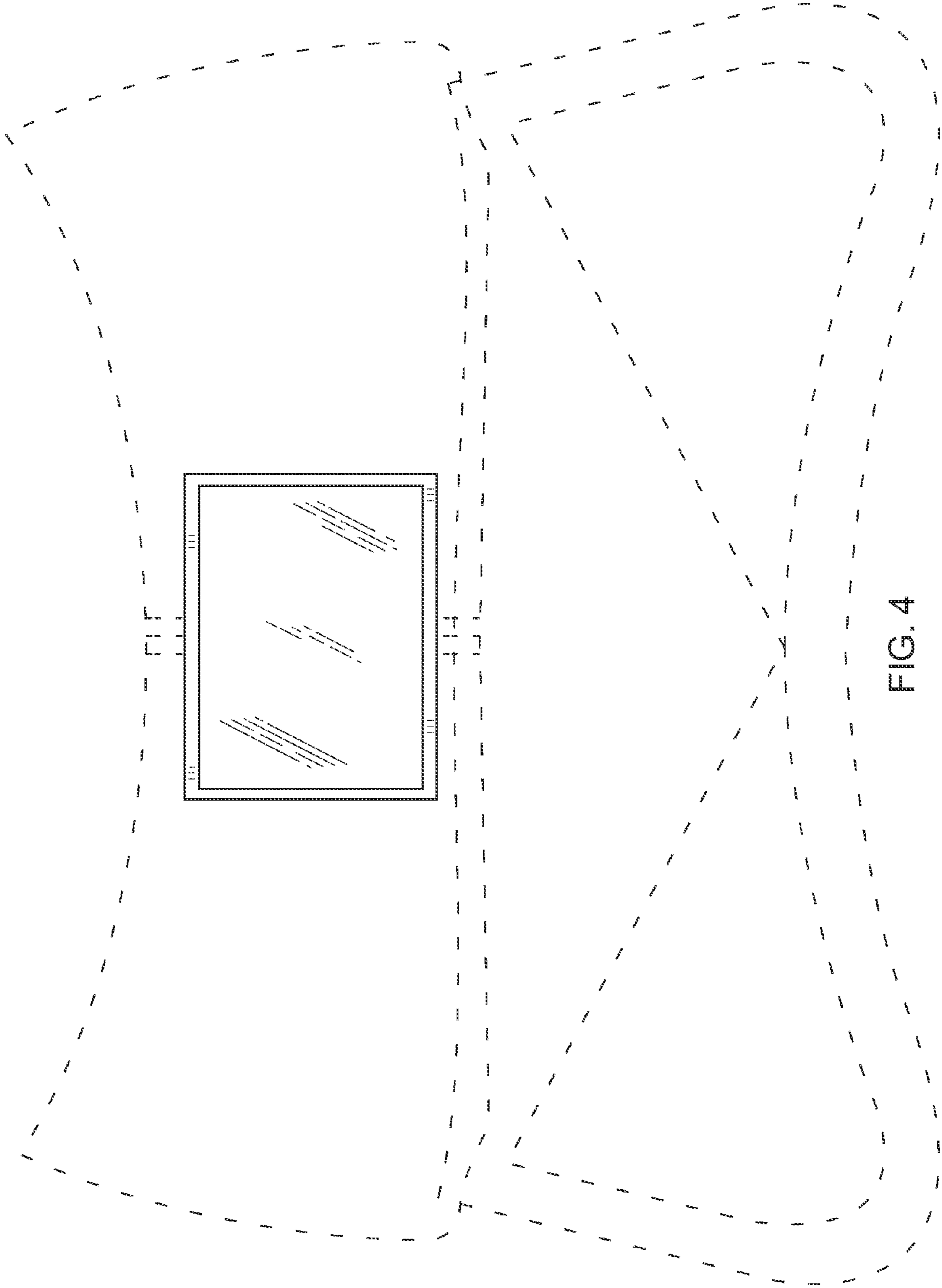


FIG. 4

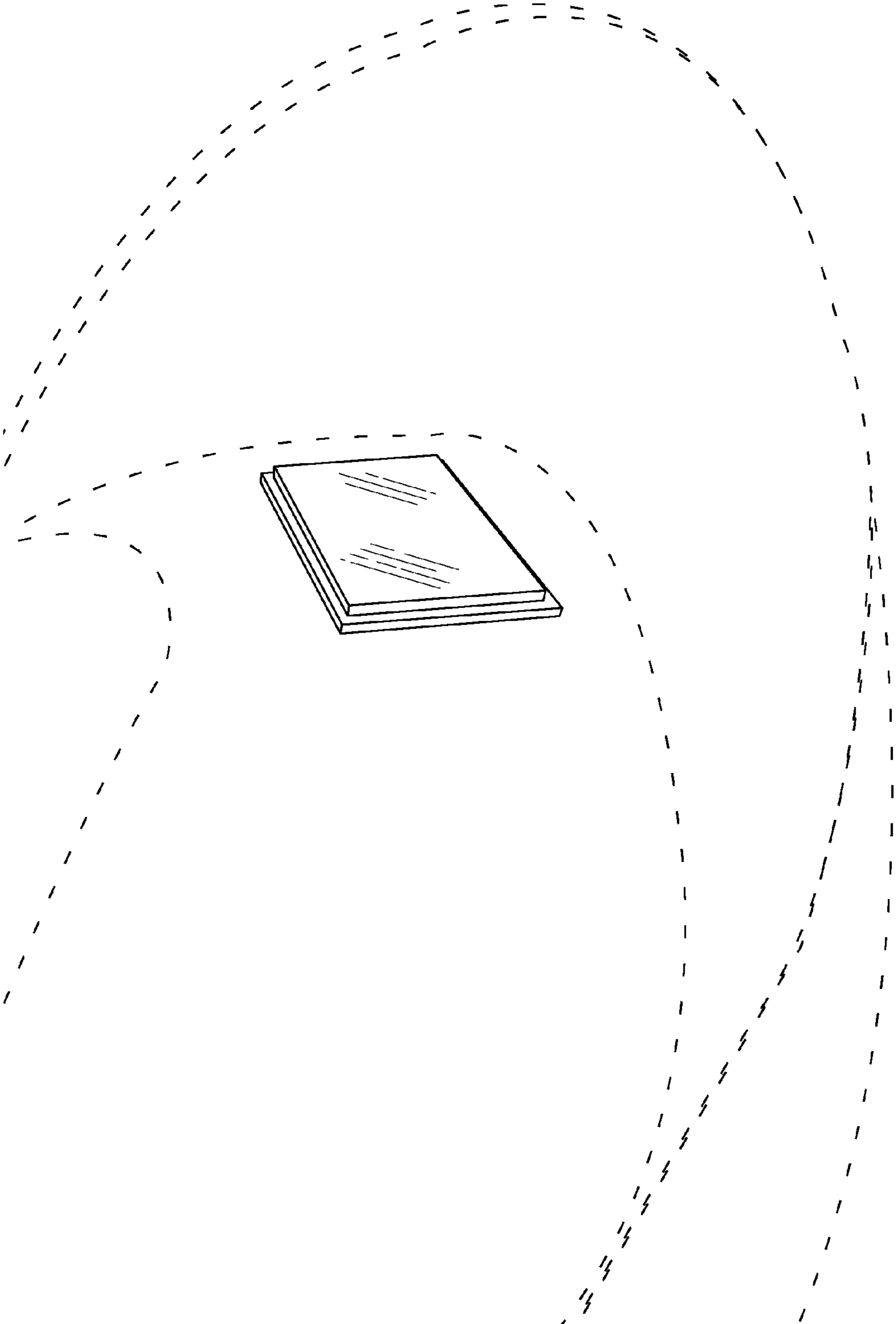


FIG. 5