



US00D603584S

(12) **United States Design Patent**
Porter

(10) **Patent No.:** **US D603,584 S**

(45) **Date of Patent:** **** Nov. 10, 2009**

(54) **HEADWEAR DEVICE**

(76) **Inventor:** **Scotty Porter**, 4580 Carriage Run Cir.,
Murrells Inlet, SC (US) 29576

(**) **Term:** **14 Years**

(21) **Appl. No.:** **29/293,183**

(22) **Filed:** **Nov. 8, 2007**

(51) **LOC (9) Cl.** **02-03**

(52) **U.S. Cl.** **D2/865; D28/41**

(58) **Field of Classification Search** D2/865,
D2/866, 875, 877, 881, 891, 892, 895; D28/41;
2/171, 174, 209.13, 209.3, 200.1; 132/273,
132/275; 362/106

See application file for complete search history.

(56) **References Cited**

U.S. PATENT DOCUMENTS

254,156	A *	2/1882	Ricker et al.	119/654
2,747,195	A *	5/1956	Applegate	2/209.3
2,805,673	A *	9/1957	Solomon	132/275
2,818,574	A *	1/1958	Burnison	2/181.2
3,895,797	A *	7/1975	Moore	473/406
4,999,747	A *	3/1991	Chen	362/103
5,052,054	A *	10/1991	Birum	2/10
5,295,683	A *	3/1994	Tate	473/406
D375,612	S *	11/1996	Elder	D2/894
D387,186	S *	12/1997	Drone	D2/501
5,733,208	A *	3/1998	Fazekas	473/406
5,829,457	A *	11/1998	Huang	132/275
D403,841	S *	1/1999	Drone	D2/894
5,857,220	A *	1/1999	Erny et al.	2/244
5,927,580	A *	7/1999	Ward-Llewellyn	224/272
6,289,903	B1 *	9/2001	Haufler	132/275

6,422,177	B1 *	7/2002	Noguero	119/856
D465,883	S *	11/2002	Moher	D28/41
6,513,167	B1 *	2/2003	Cheng	2/171
6,626,184	B1 *	9/2003	Cheng	132/275
6,688,316	B1 *	2/2004	Klug	132/286
D579,606	S *	10/2008	Scholl et al.	D28/41
2003/0200981	A1 *	10/2003	Silva	132/273
2003/0209253	A1 *	11/2003	Gavney, Jr.	132/273
2006/0162046	A1 *	7/2006	Chudzik et al.	2/174

* cited by examiner

Primary Examiner—Elizabeth A Albert

Assistant Examiner—Karen E Eldridge Powers

(74) *Attorney, Agent, or Firm*—Smith Moore Leatherwood
LLP; Thomas W. Epting

(57) **CLAIM**

The ornamental design for a headwear device, as shown and described.

DESCRIPTION

FIG. 1 is a perspective view of my new design;

FIG. 2 is an additional perspective view thereof;

FIG. 3 is a further perspective view thereof, with the claimed design shown rotated clockwise by approximately 90 degrees relative to FIGS. 1 and 2;

FIG. 4 is a front elevational view thereof;

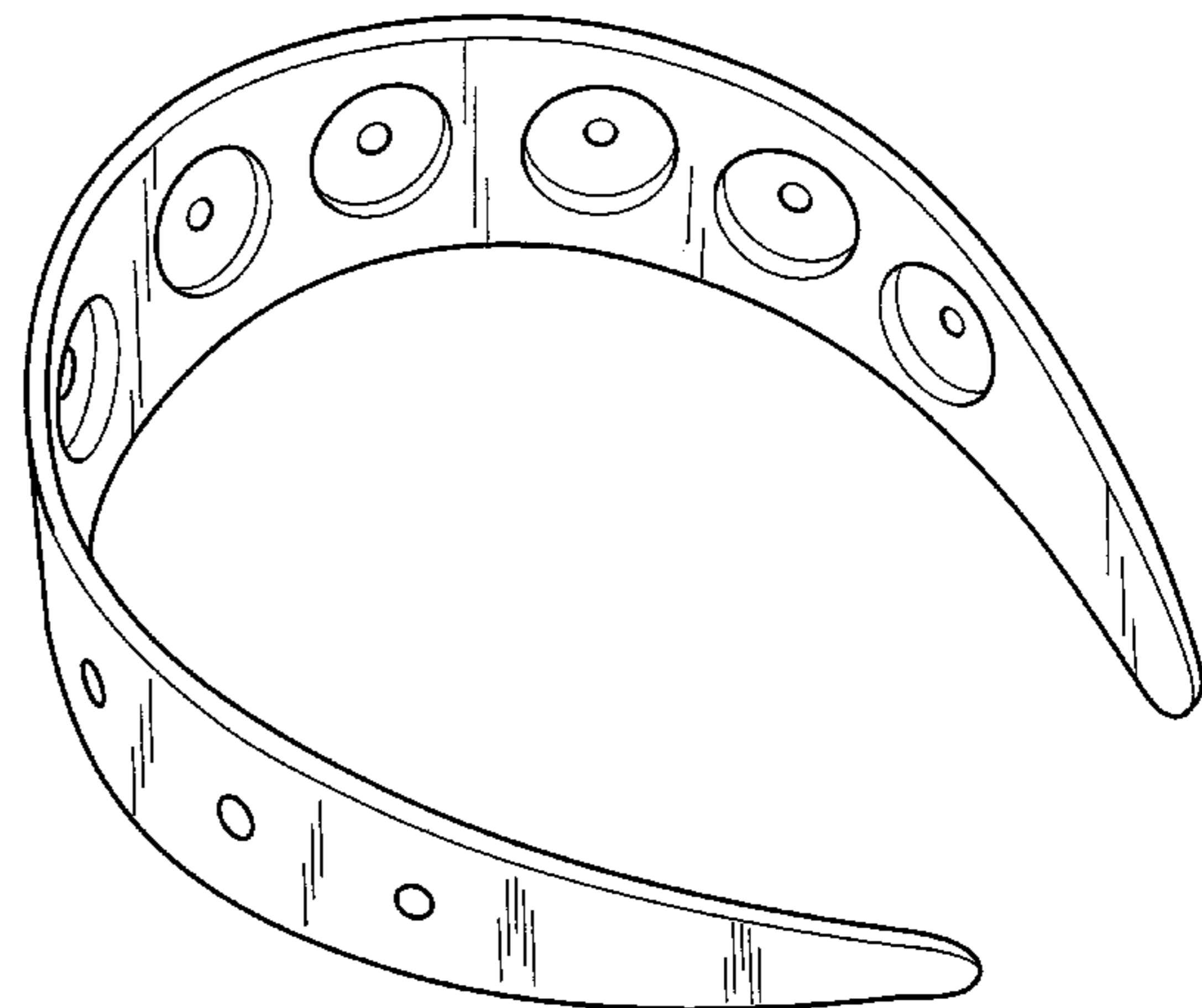
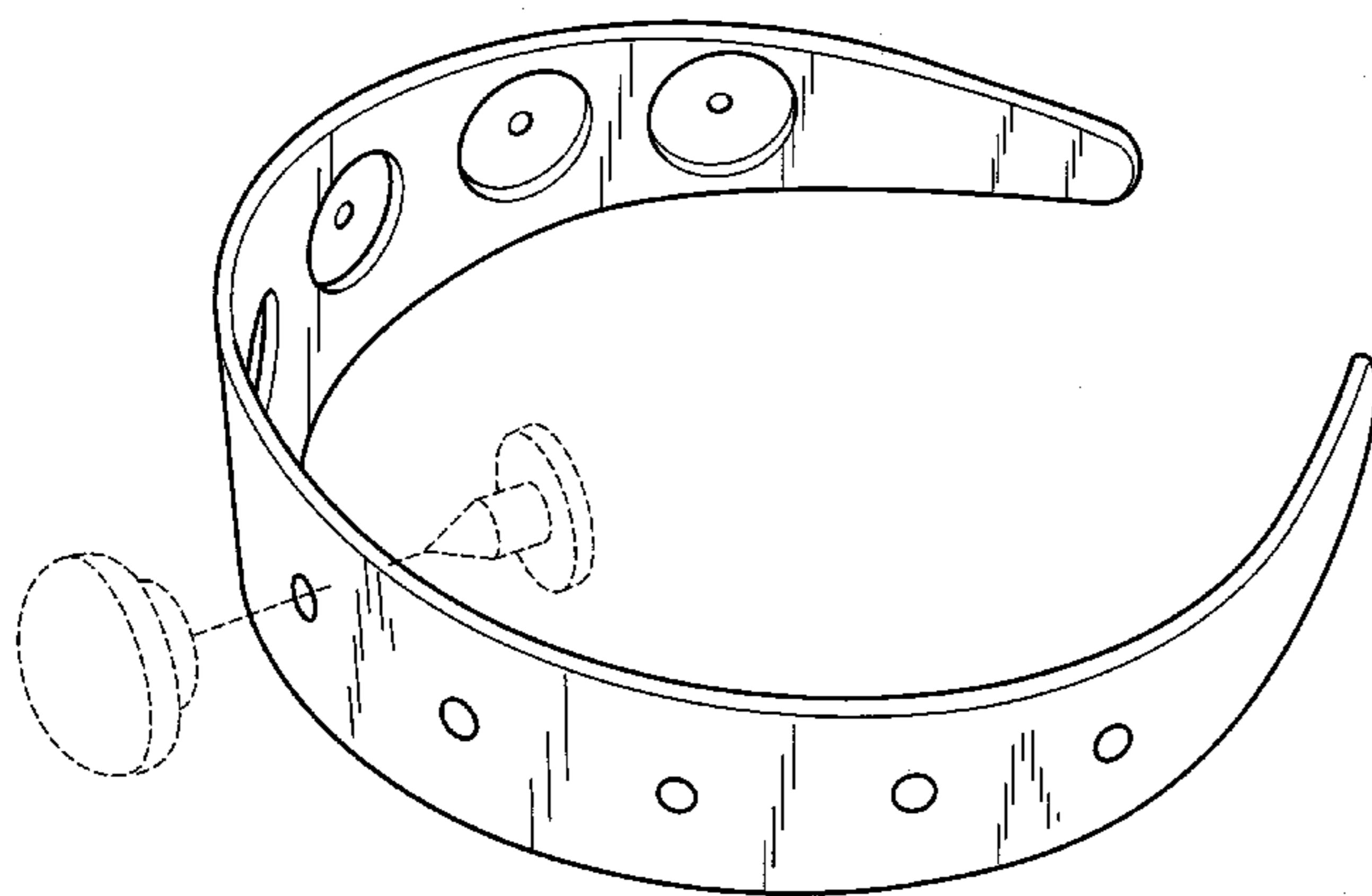
FIG. 5 is a right side elevational view thereof;

FIG. 6 is a top plan view thereof; and,

FIG. 7 is a bottom plan view thereof.

The broken lines shown in the drawings figures are for illustrative purposes only and form no part of the claimed design.

1 Claim, 5 Drawing Sheets



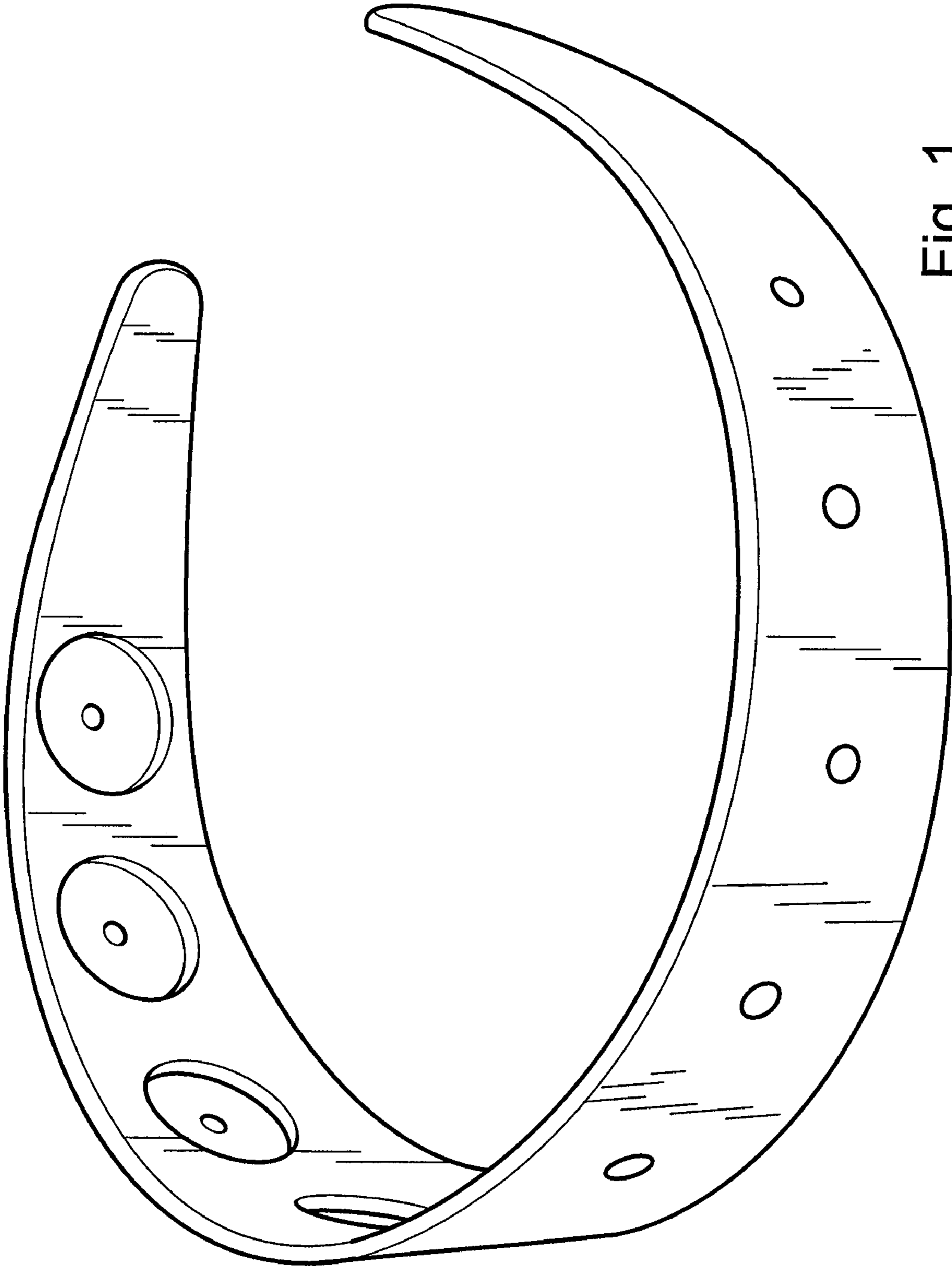


Fig. 1

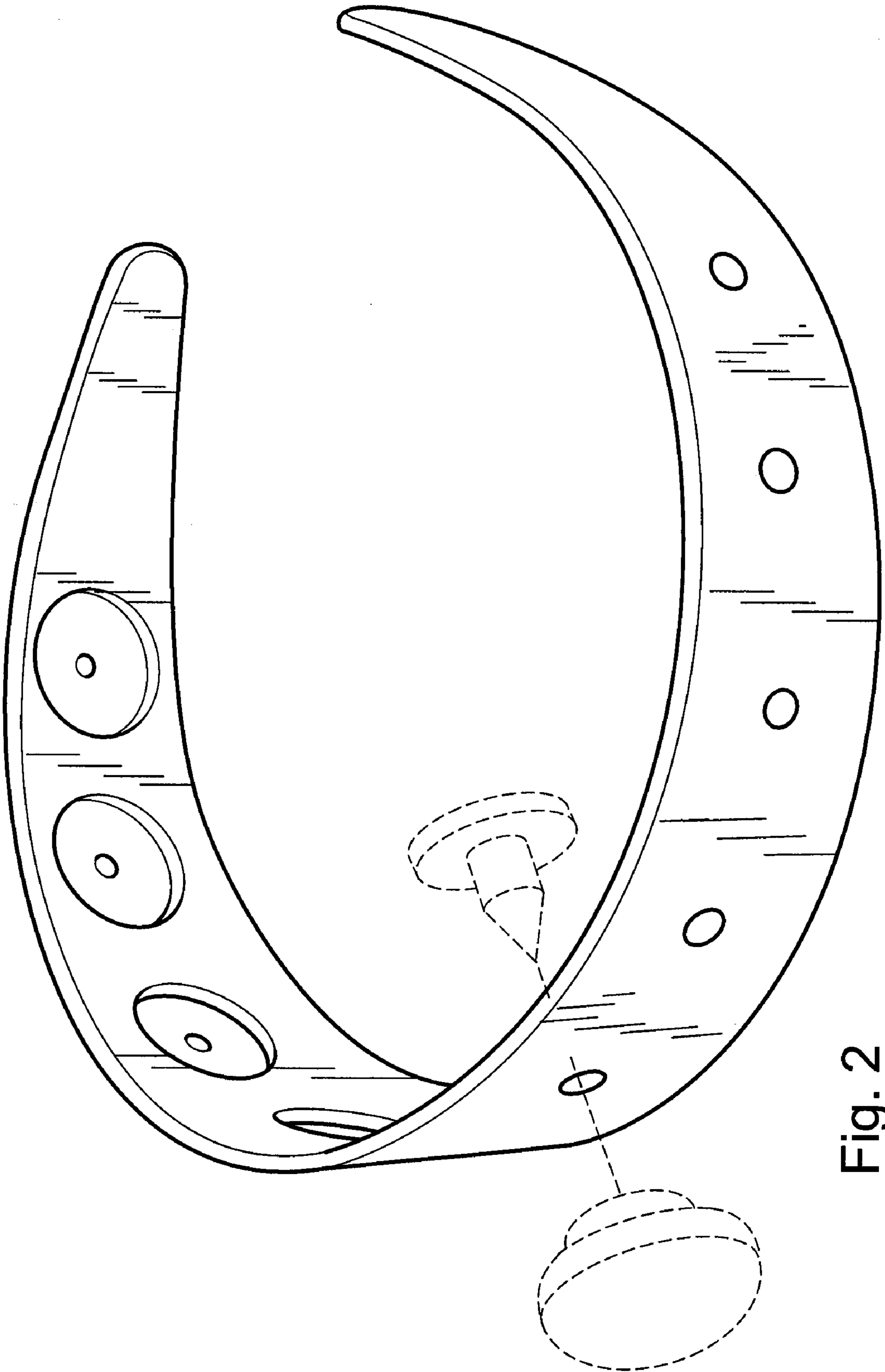


Fig. 2

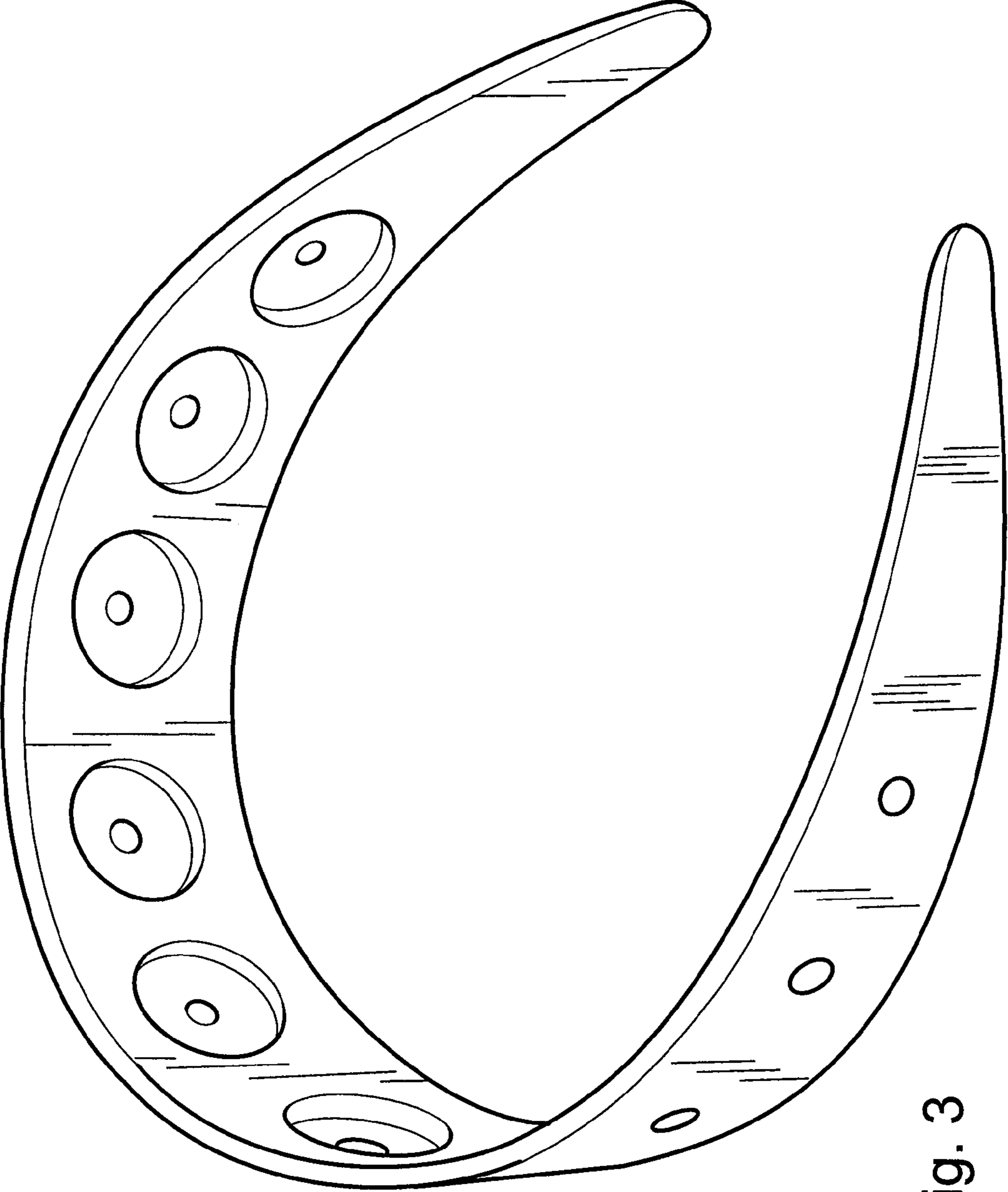


Fig. 3

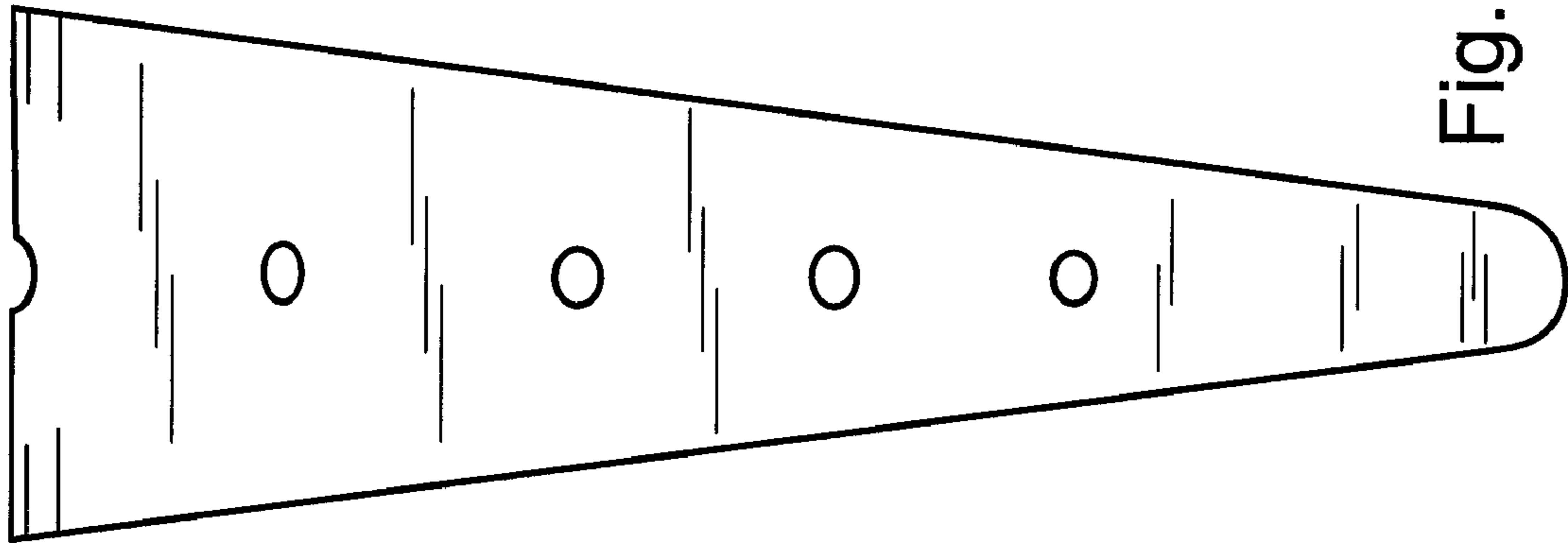


Fig. 5

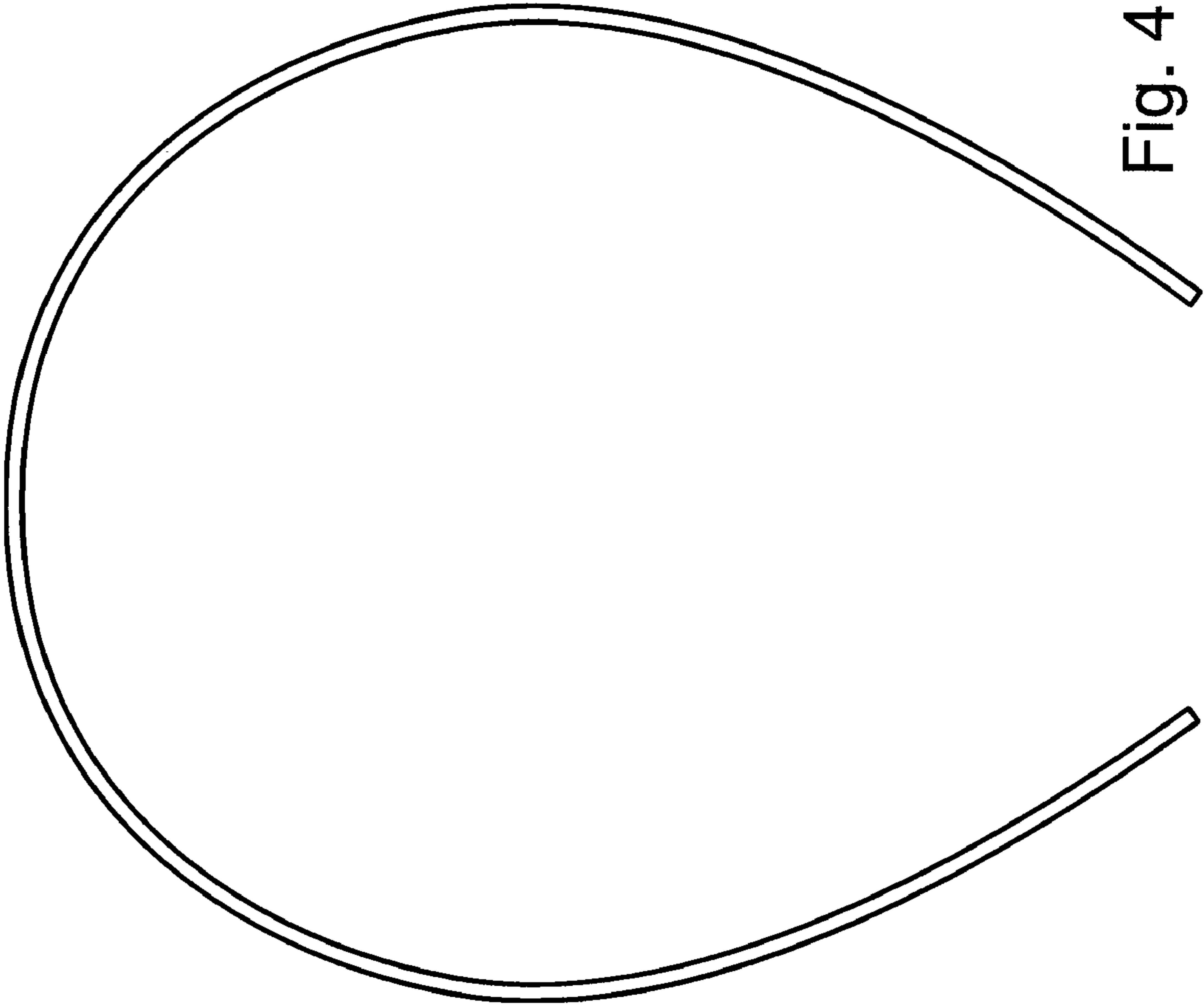


Fig. 4

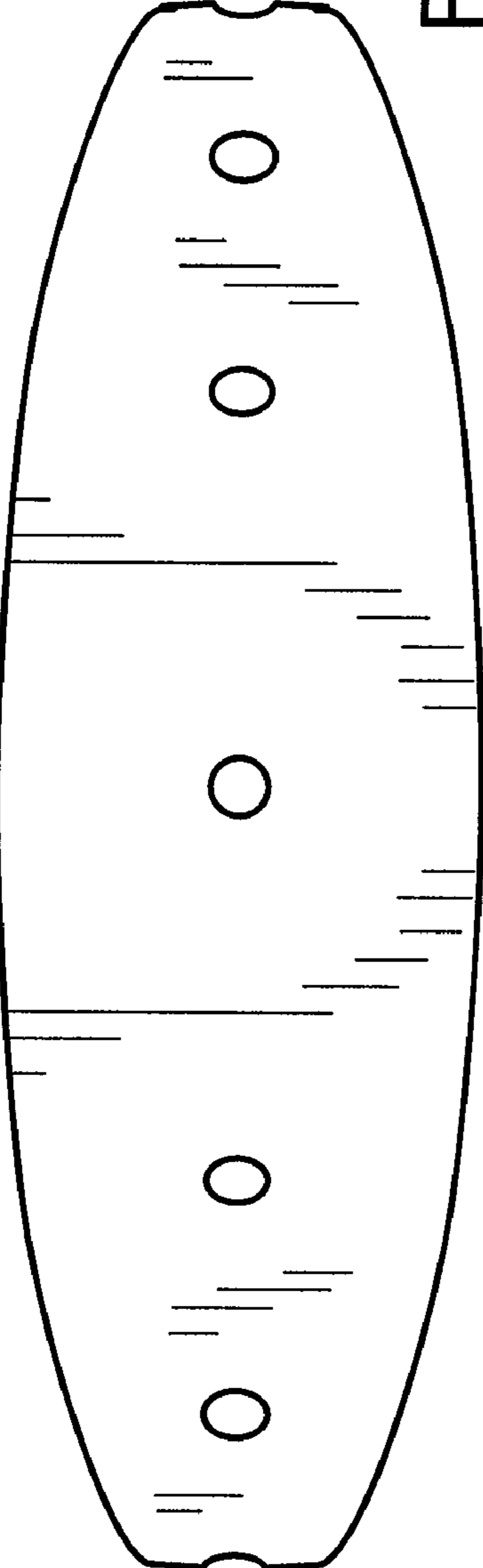


Fig. 6

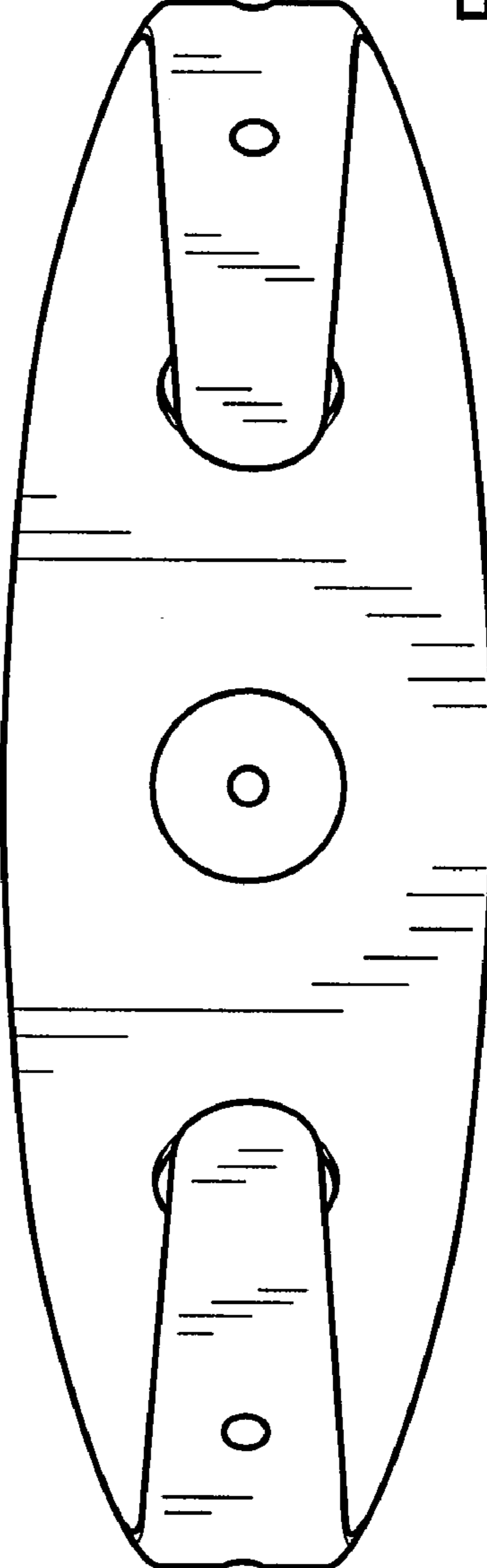


Fig. 7