



US00D603574S

(12) **United States Design Patent**  
**Knight, IV et al.**

(10) **Patent No.:** **US D603,574 S**

(45) **Date of Patent:** **\*\* Nov. 3, 2009**

(54) **CORNER SEGMENT OF A PALLET**

(75) Inventors: **John W. Knight, IV**, New Concord, OH (US); **David P. Jones**, Warren, OH (US)

(73) Assignee: **The Fabri-Form Company**, New Concord, OH (US)

(\*\*) Term: **14 Years**

(21) Appl. No.: **29/314,112**

(22) Filed: **Mar. 6, 2009**

(51) **LOC (9) Cl.** ..... **09-08**

(52) **U.S. Cl.** ..... **D34/38**

(58) **Field of Classification Search** ..... D34/38;  
108/51.1, 52.1, 53.1, 53.3, 54.1; 206/386,  
206/597, 599, 600

See application file for complete search history.

(56) **References Cited**

**U.S. PATENT DOCUMENTS**

2,738,564	A *	3/1956	Guinane	.....	432/259
2,828,007	A	3/1958	Foss	.....	206/46
2,878,982	A *	3/1959	Gariepy	.....	206/586
3,430,586	A *	3/1969	Oswald	.....	108/55.3
D228,896	S *	10/1973	Melnick et al.	.....	D34/38
3,776,435	A *	12/1973	Smith	.....	222/566
4,694,962	A	9/1987	Taub	.....	206/600
4,779,751	A *	10/1988	Munroe	.....	217/69
5,154,297	A	10/1992	Farley	.....	206/599
5,307,931	A *	5/1994	Gillispie et al.	.....	206/386
D371,670	S *	7/1996	Carlsson	.....	D34/38

D374,536	S *	10/1996	Elder et al.	.....	D34/38
D381,180	S *	7/1997	Schueneman et al.	.....	D34/38
D385,080	S *	10/1997	Schueneman et al.	.....	D34/38
D393,518	S *	4/1998	Hampel	.....	D34/38
D590,124	S *	4/2009	Hermans	.....	D34/38

**FOREIGN PATENT DOCUMENTS**

FR 2283-058 3/1976

\* cited by examiner

*Primary Examiner*—Cynthia E Ramirez

(74) *Attorney, Agent, or Firm*—Renner, Kenner, Greive, Bobak, Taylor & Weber

(57) **CLAIM**

The ornamental design for a corner segment of a pallet, as shown and described.

**DESCRIPTION**

FIG. 1 is a top, front, right side perspective view of a corner segment of a pallet showing our new design;

FIG. 2 is a bottom, rear, left side perspective view thereof;

FIG. 3 is a top plan view thereof;

FIG. 4 is a bottom plan view thereof;

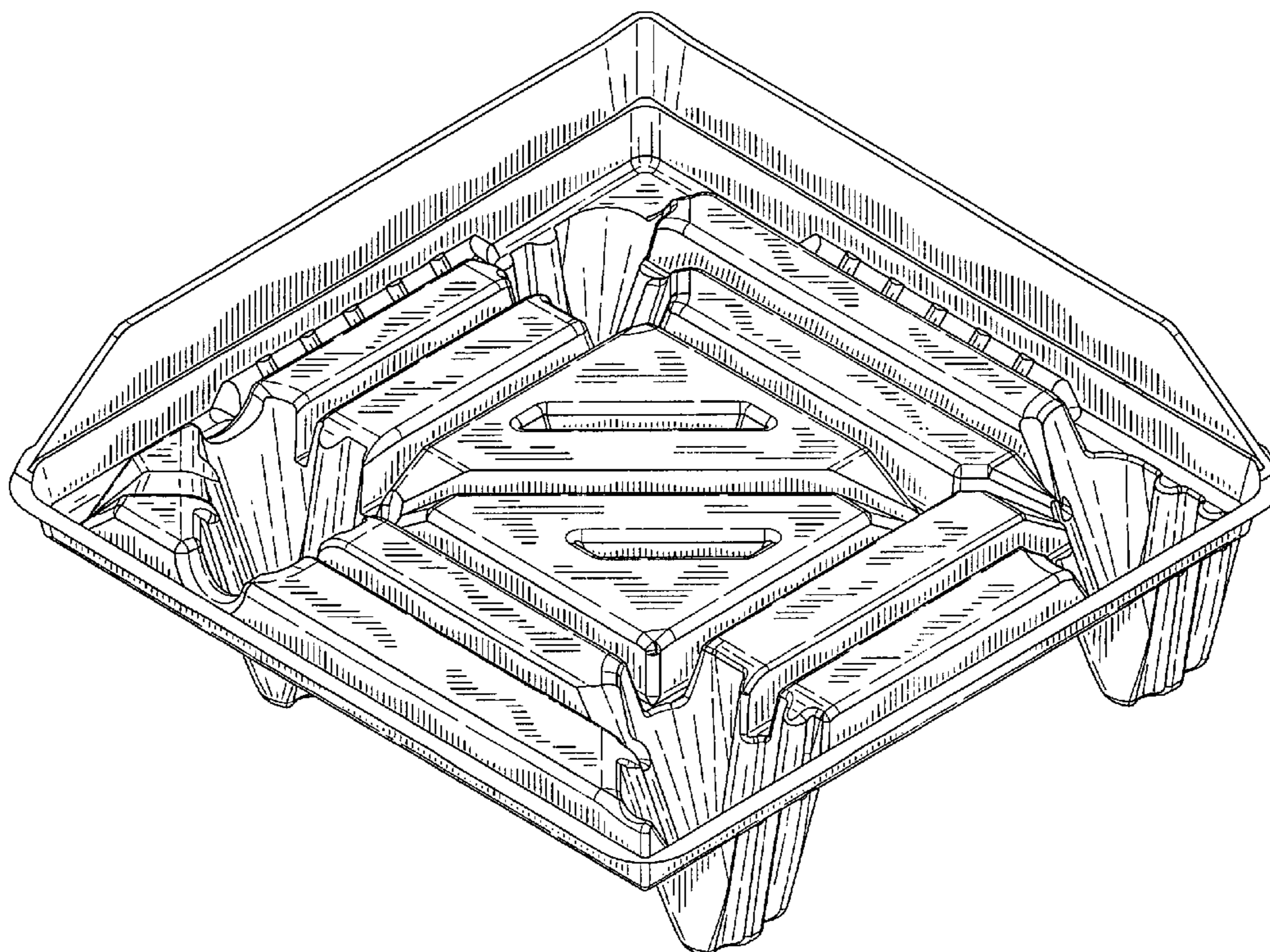
FIG. 5 is a right side elevational view thereof;

FIG. 6 is a left side elevational view thereof;

FIG. 7 is a front elevational view thereof; and,

FIG. 8 is a rear elevational view thereof.

**1 Claim, 5 Drawing Sheets**



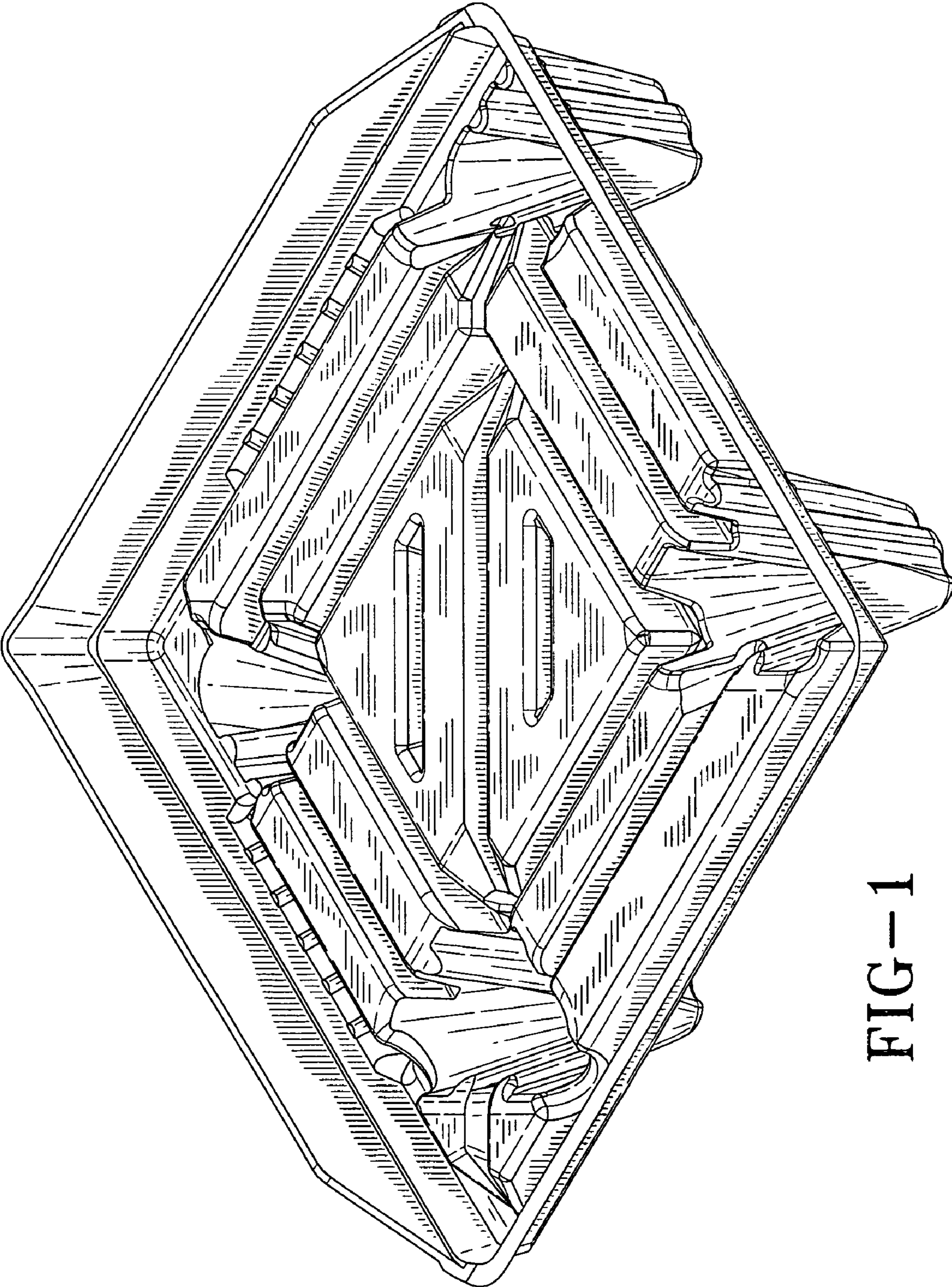


FIG-1

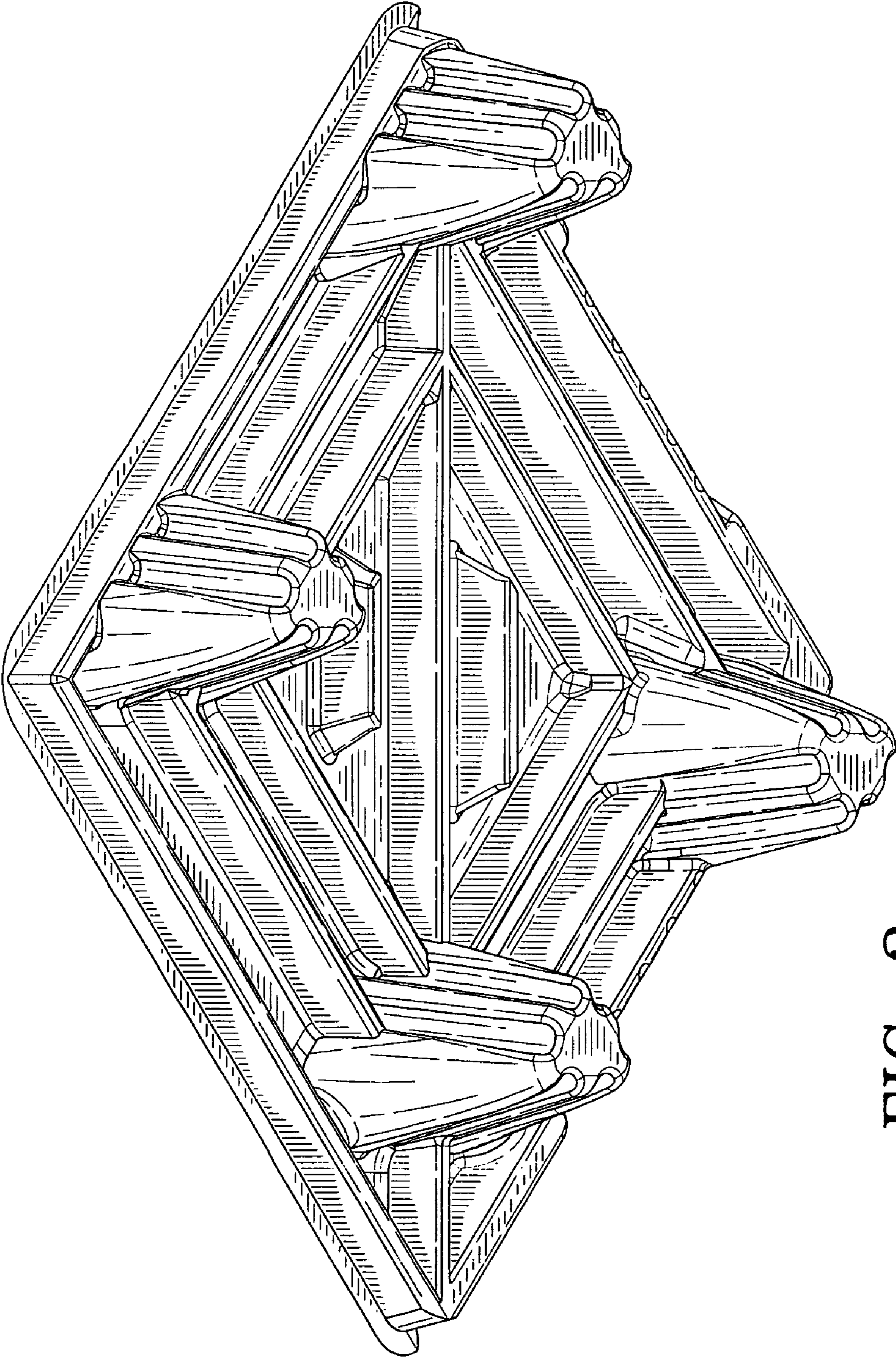


FIG-2

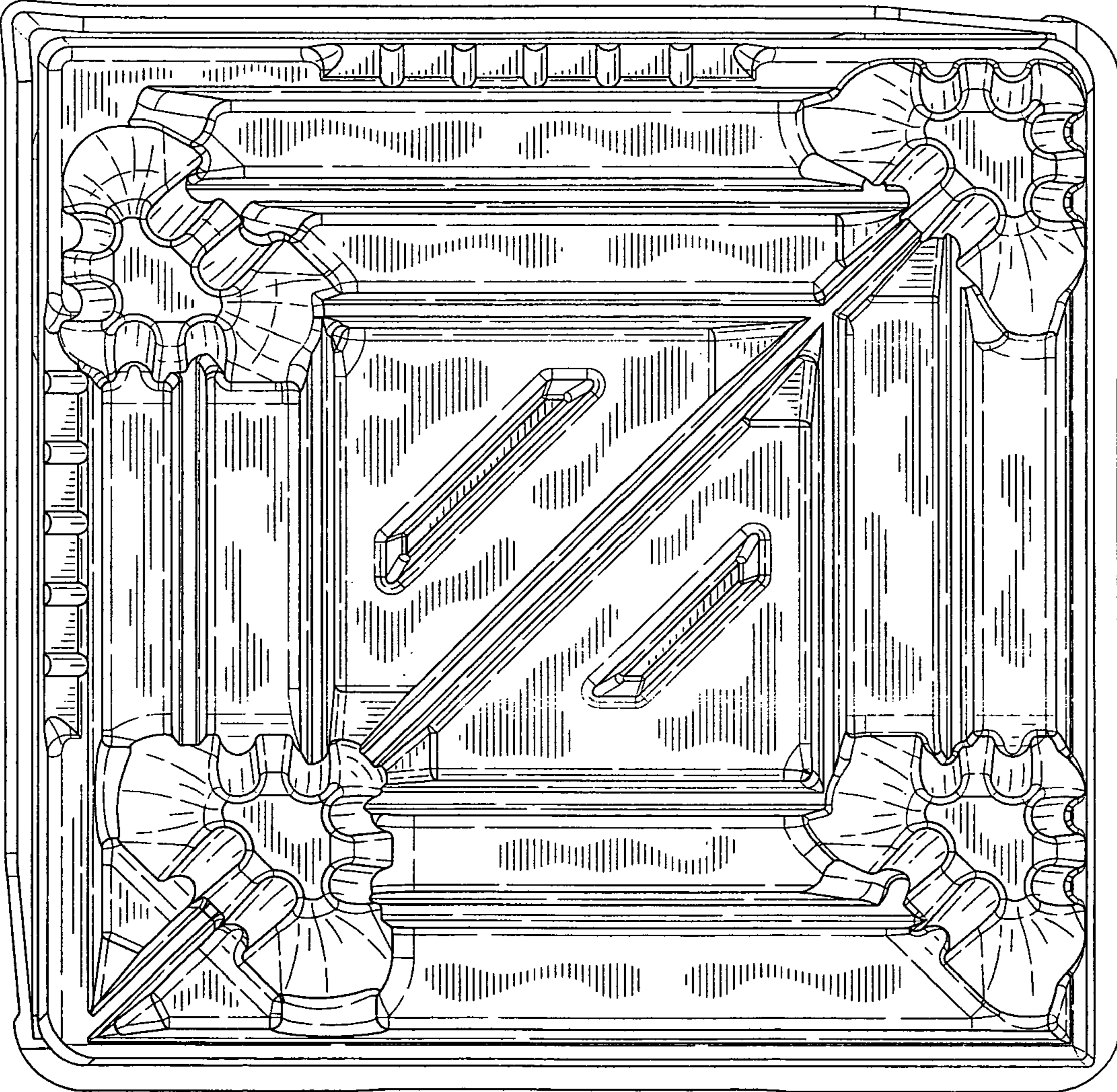


FIG-3

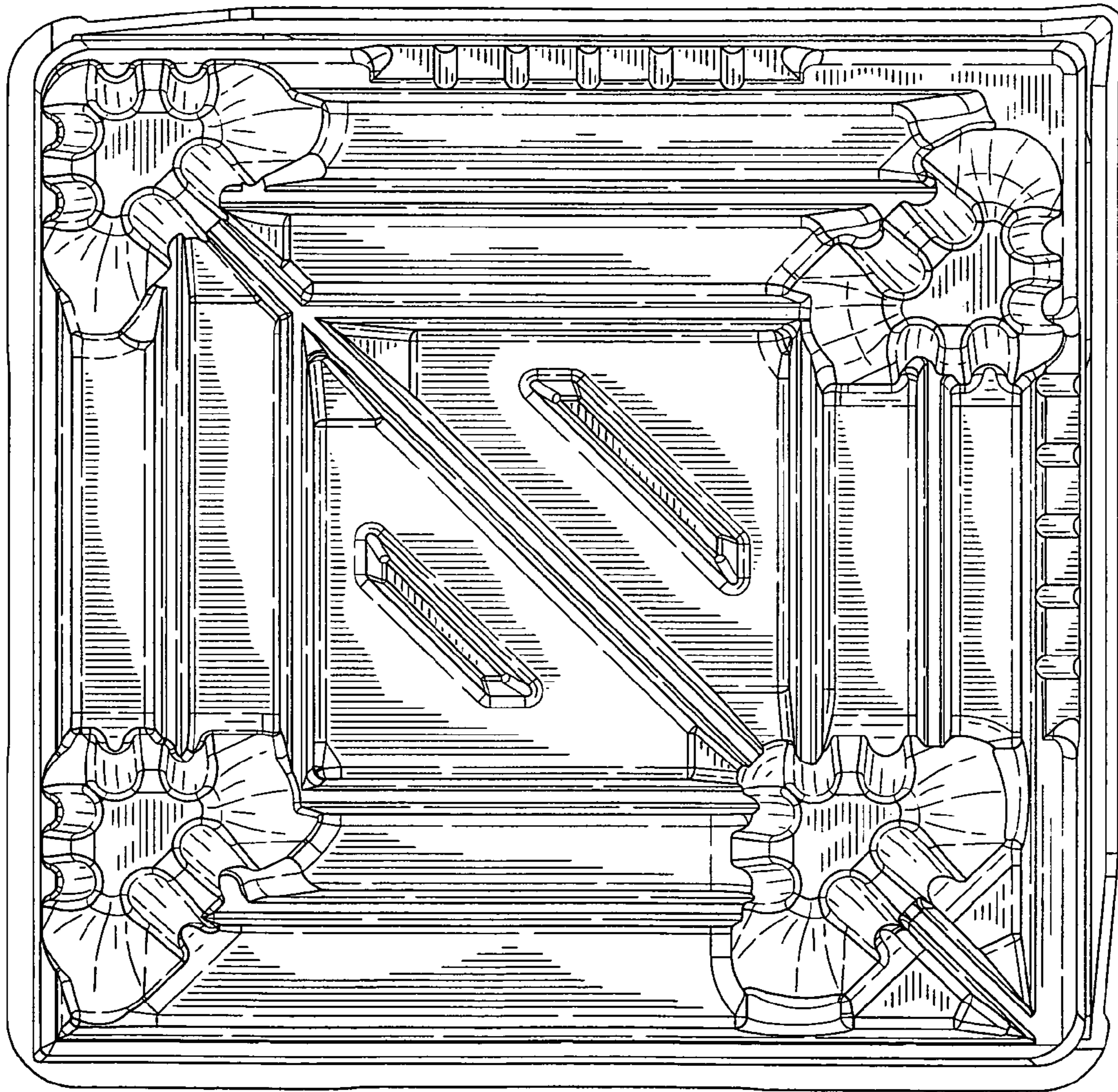


FIG-4

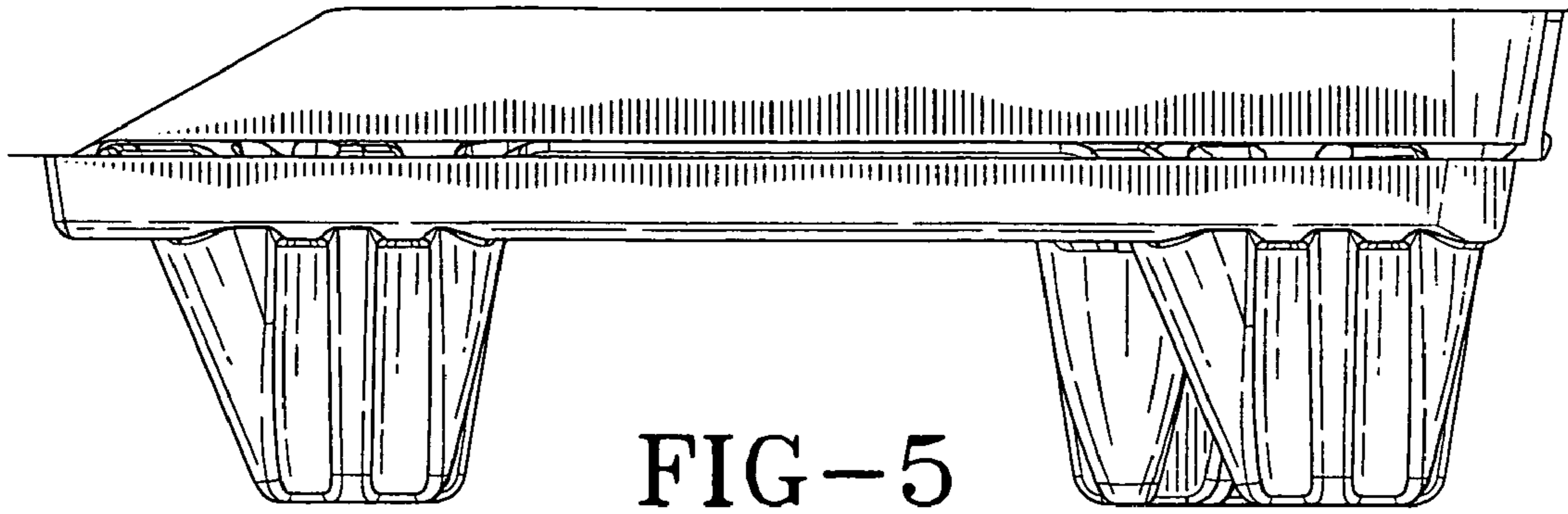


FIG-5

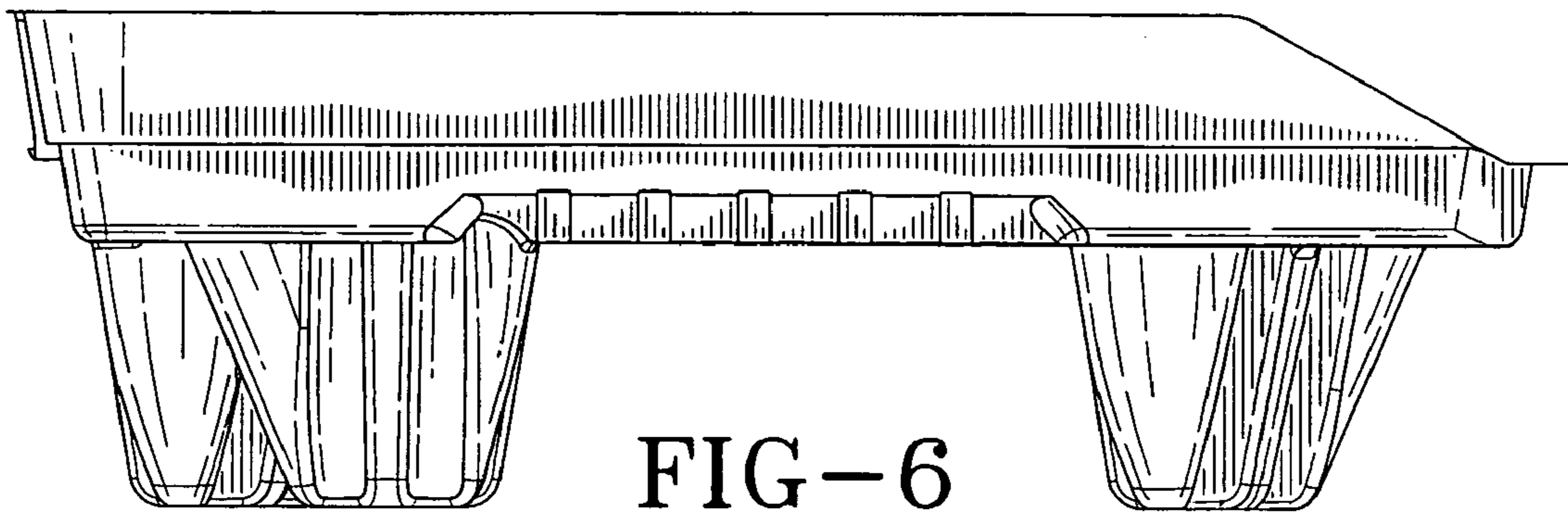


FIG-6

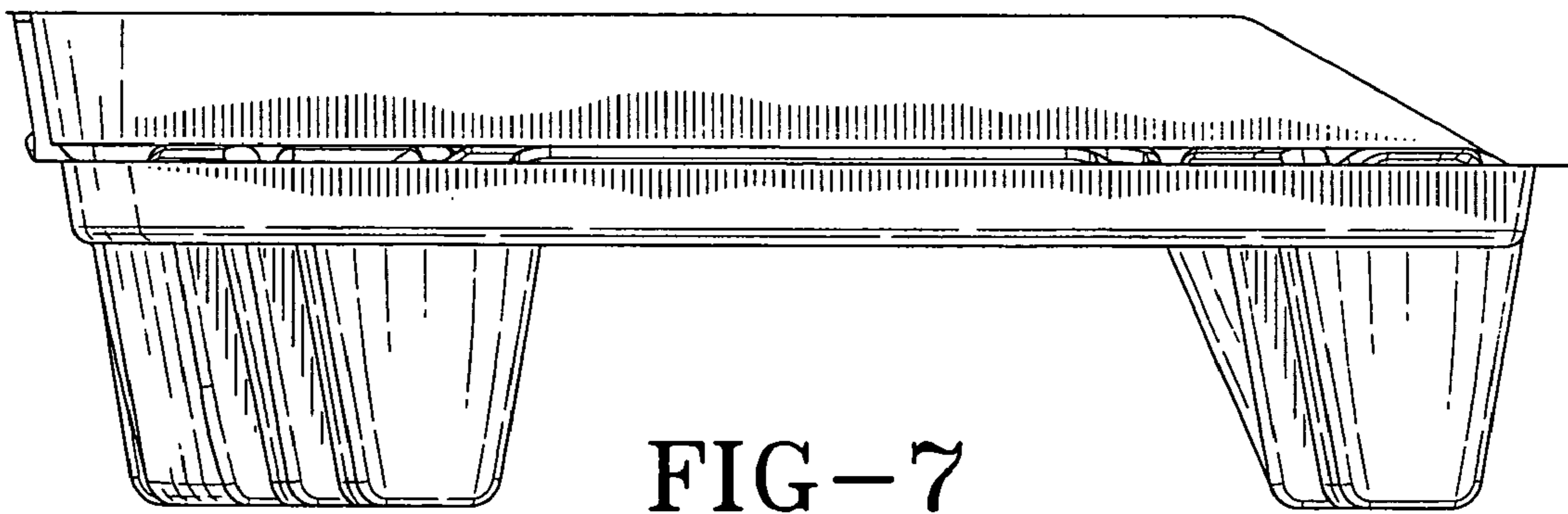


FIG-7

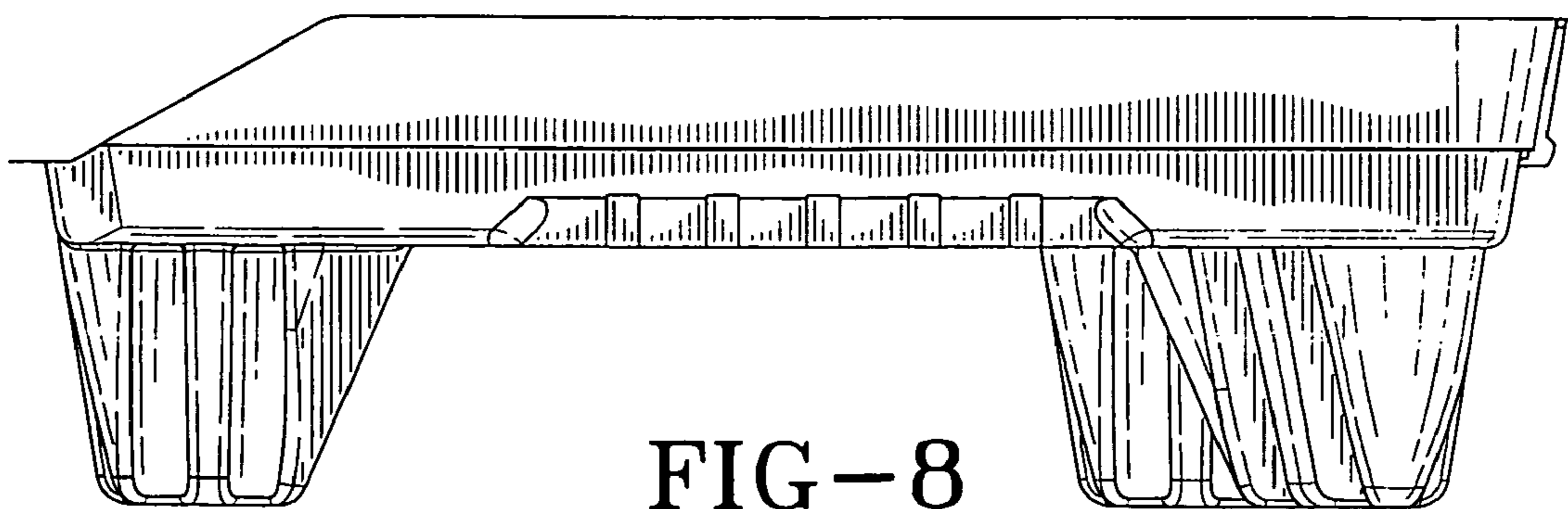


FIG-8