



US00D603572S

(12) **United States Design Patent**  
**Morad et al.**

(10) **Patent No.:** **US D603,572 S**  
(45) **Date of Patent:** **\*\* Nov. 3, 2009**

(54) **ONE-PIECE MOLDED TRASH CAN WITH  
ACCESSORY HOLDERS MOLDED INTO THE  
TOP OF THE TRASH CAN**

(75) Inventors: **Fred I. Morad**, Toluca Lake, CA (US);  
**William P. Camp, Jr.**, Vanlue, OH (US)

(73) Assignee: **Worldwide Integrated Resources, Inc.**,  
Montebello, CA (US)

(\*\*) Term: **14 Years**

(21) Appl. No.: **29/313,433**

(22) Filed: **Jan. 5, 2009**

(51) **LOC (9) Cl.** ..... **09-09**

(52) **U.S. Cl.** ..... **D34/1**

(58) **Field of Classification Search** ..... D34/1;  
220/908-911

See application file for complete search history.

(56) **References Cited**

**U.S. PATENT DOCUMENTS**

D355,511 S *	2/1995	Cassel	.....	D34/1
D355,514 S *	2/1995	Breen	.....	D34/1
D376,235 S *	12/1996	Presnell	.....	D34/1
D520,702 S *	5/2006	Miller	.....	D34/1

D566,365 S \* 4/2008 Wentz et al. .... D34/1

\* cited by examiner

*Primary Examiner*—Cynthia E Ramirez

(74) *Attorney, Agent, or Firm*—Thomas I. Rozsa

(57) **CLAIM**

The ornamental design for a one-piece molded trash can with accessory holders molded into the top of the trash can, as shown and described.

**DESCRIPTION**

FIG. 1 is a perspective view of a one-piece molded trash can with accessory holders molded into the top of the trash can, showing my design;

FIG. 2 is a rear elevational view;

FIG. 3 is a front elevational view;

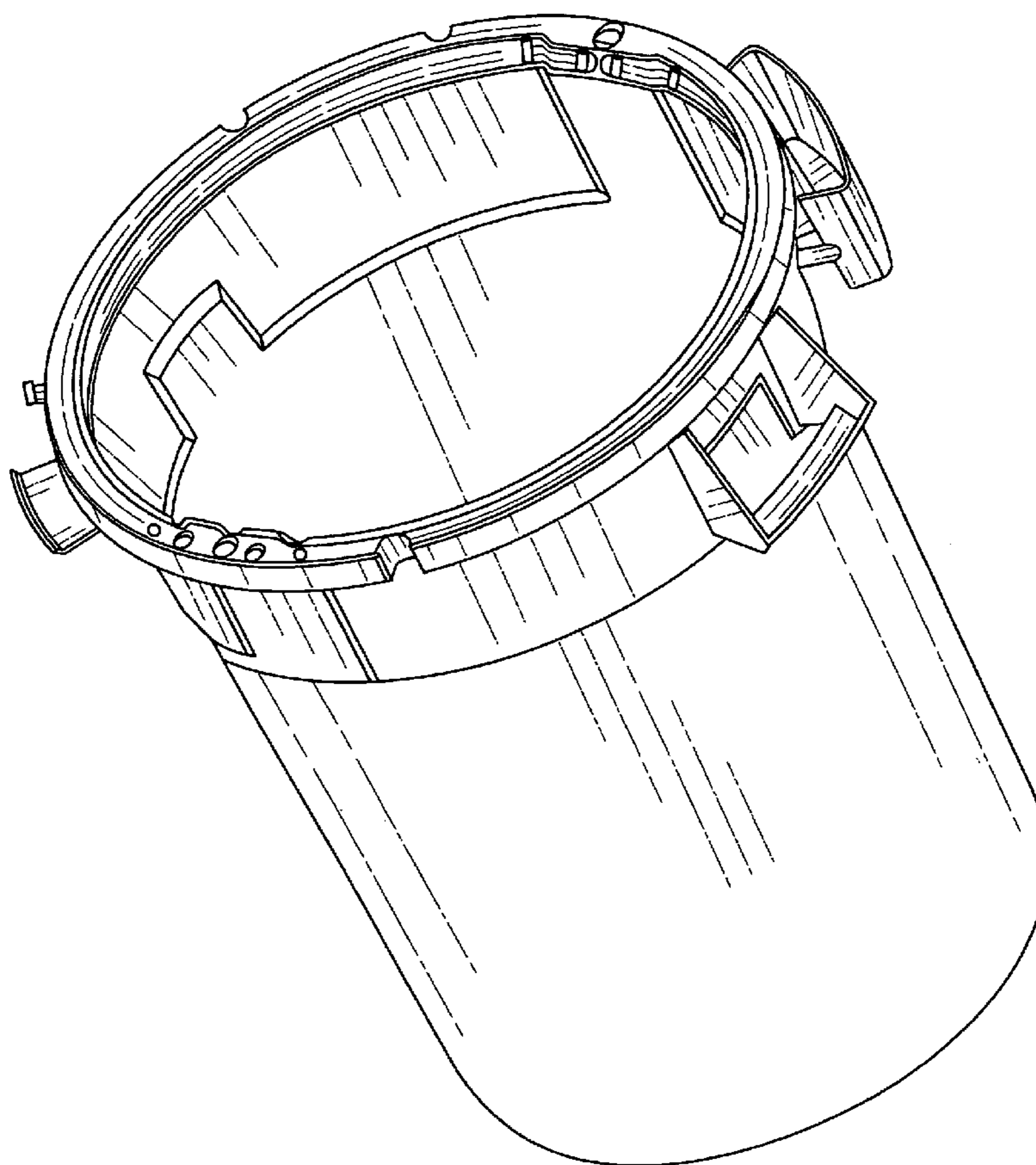
FIG. 4 is a side elevational view when viewed from the right side;

FIG. 5 is a side elevational view when viewed from the left side;

FIG. 6 is a top plan view; and,

FIG. 7 is a bottom plan view.

**1 Claim, 7 Drawing Sheets**



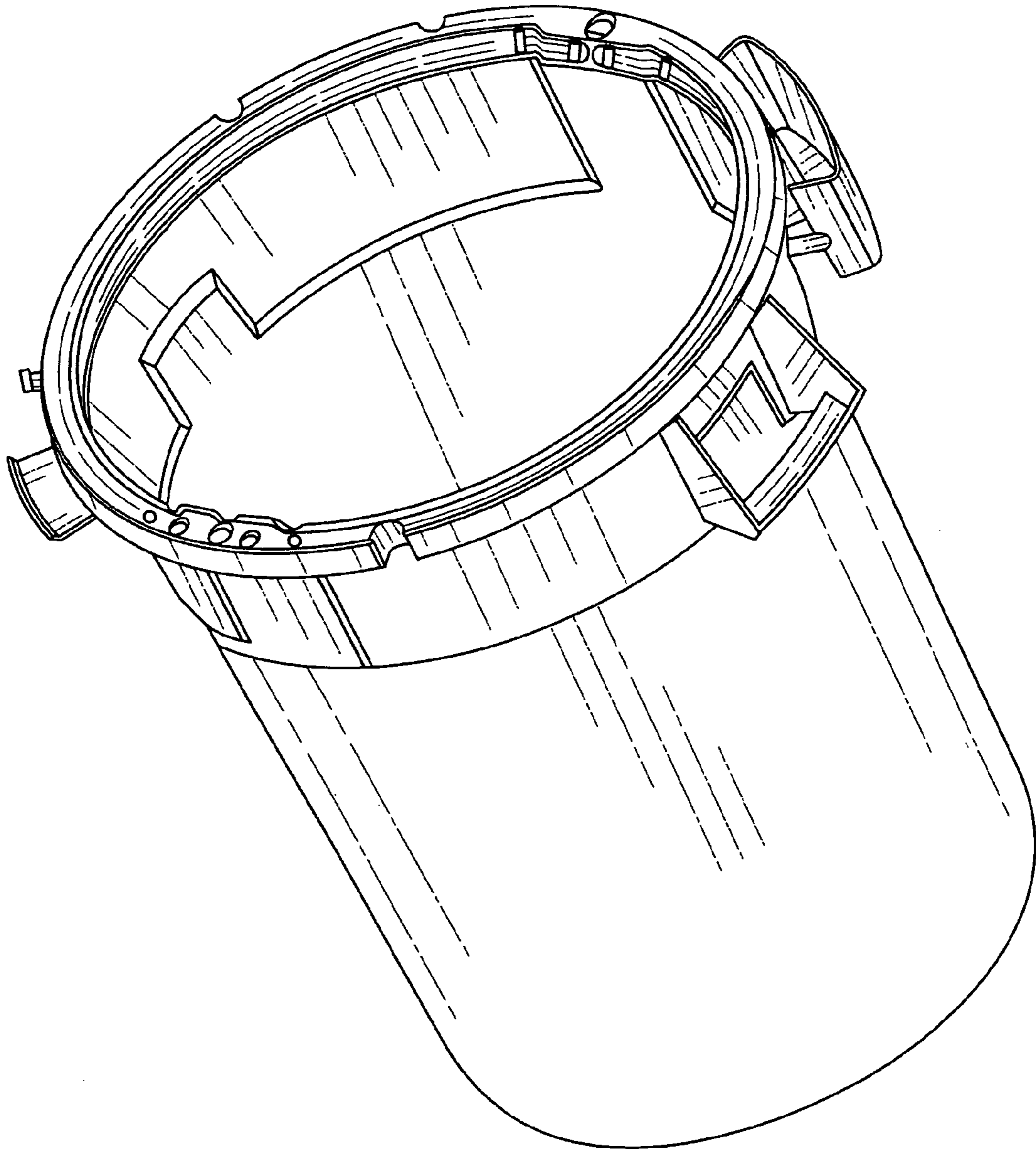


FIG. 1

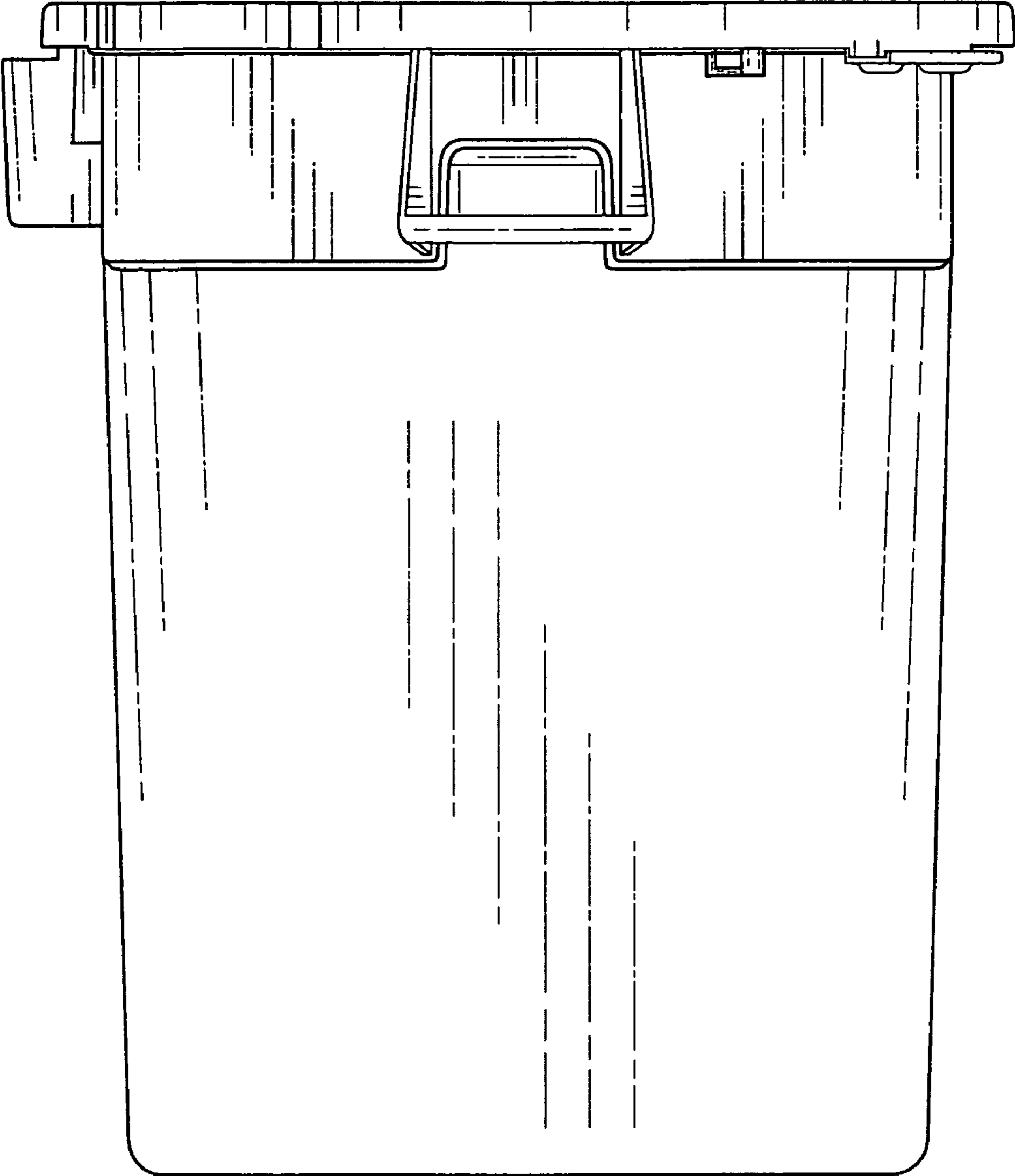


FIG. 2

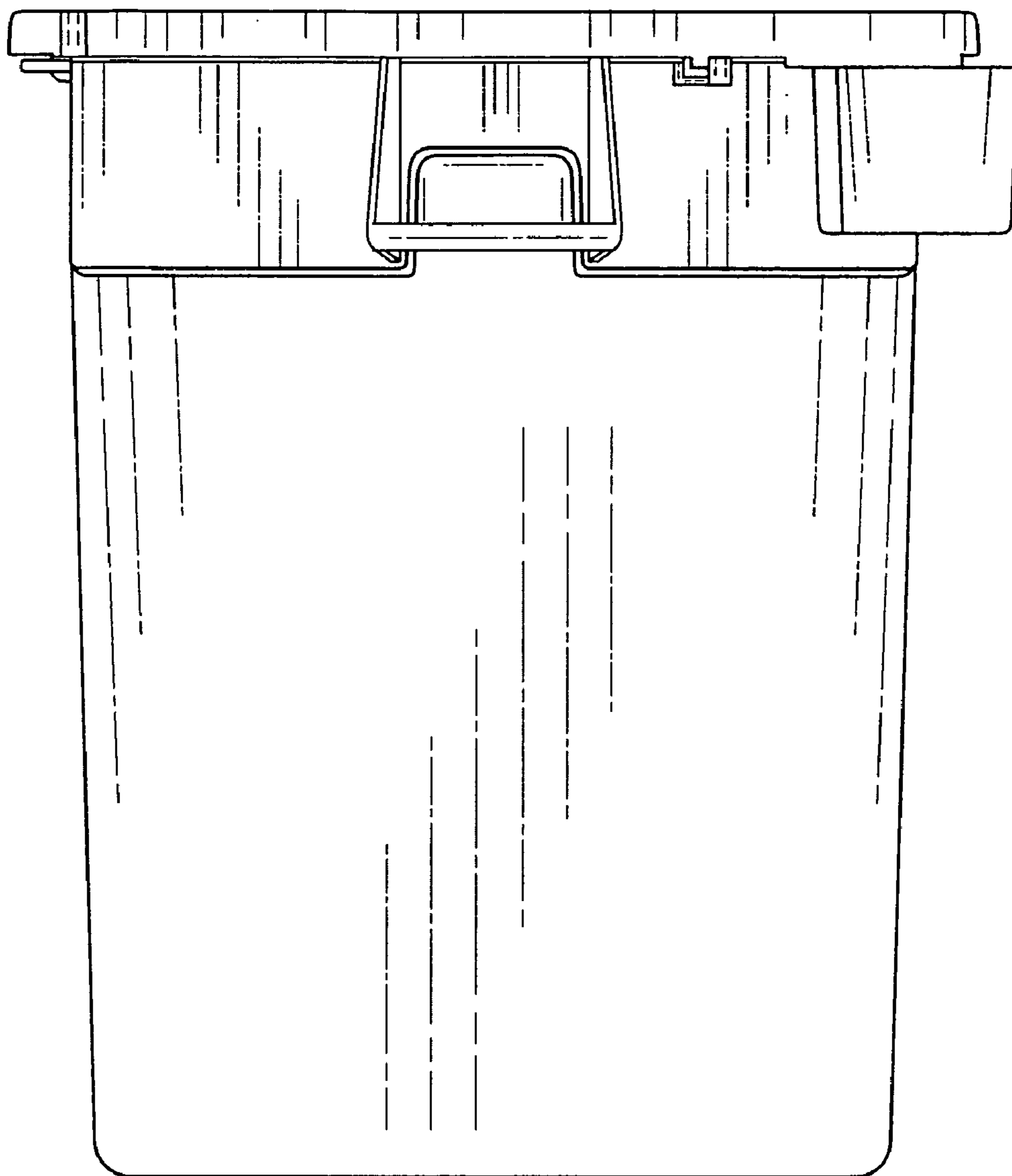


FIG. 3

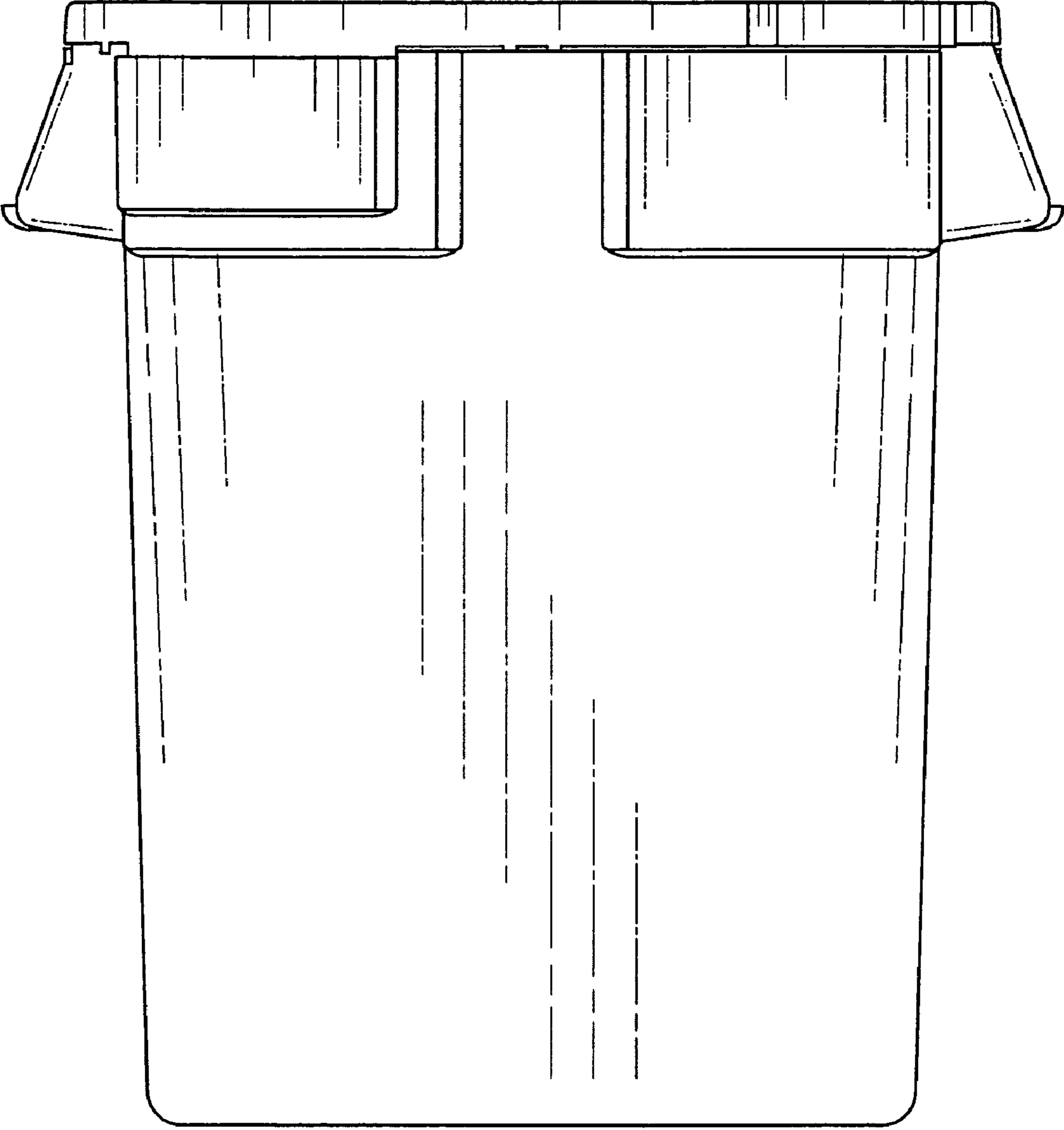


FIG. 4

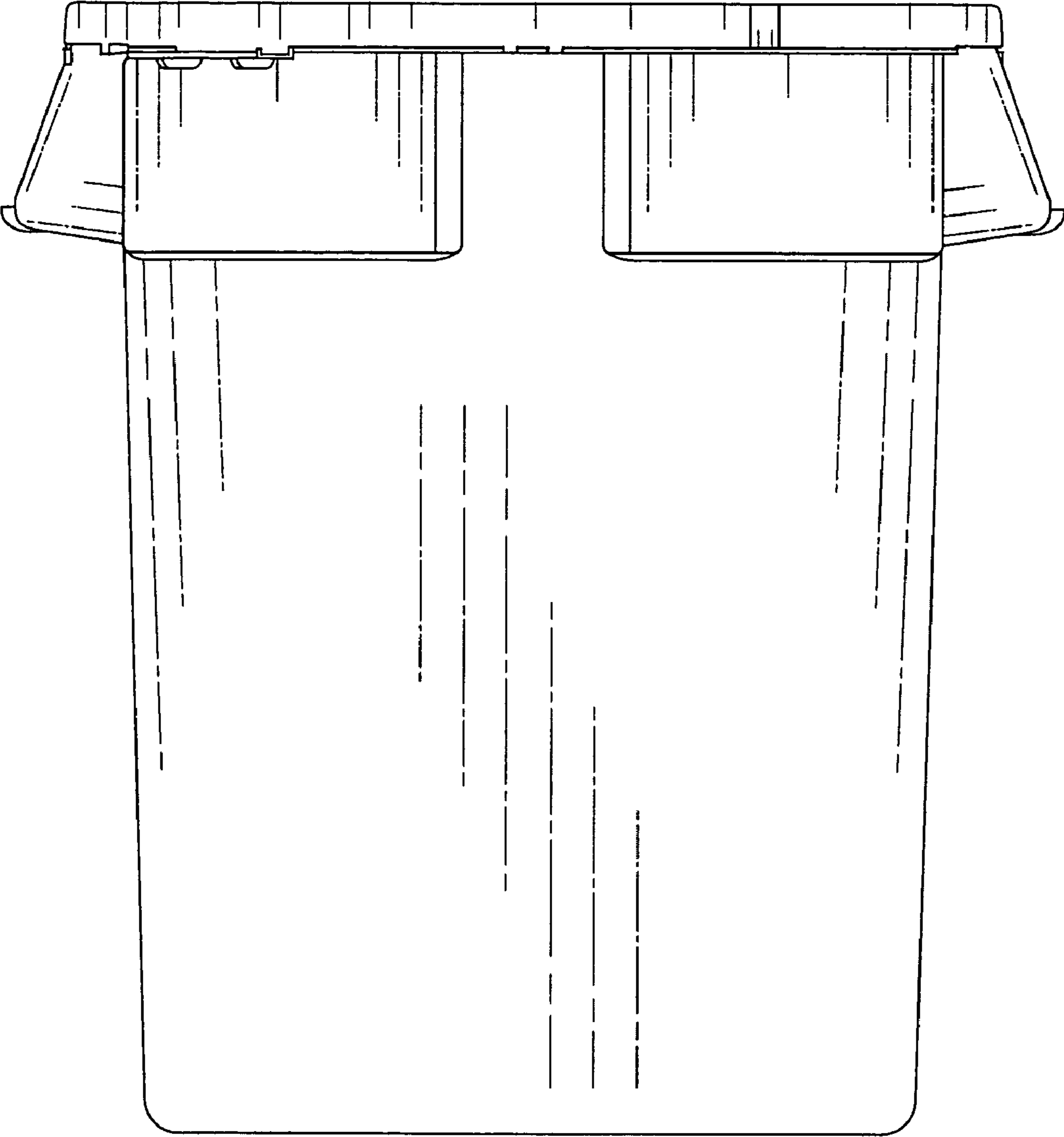


FIG. 5

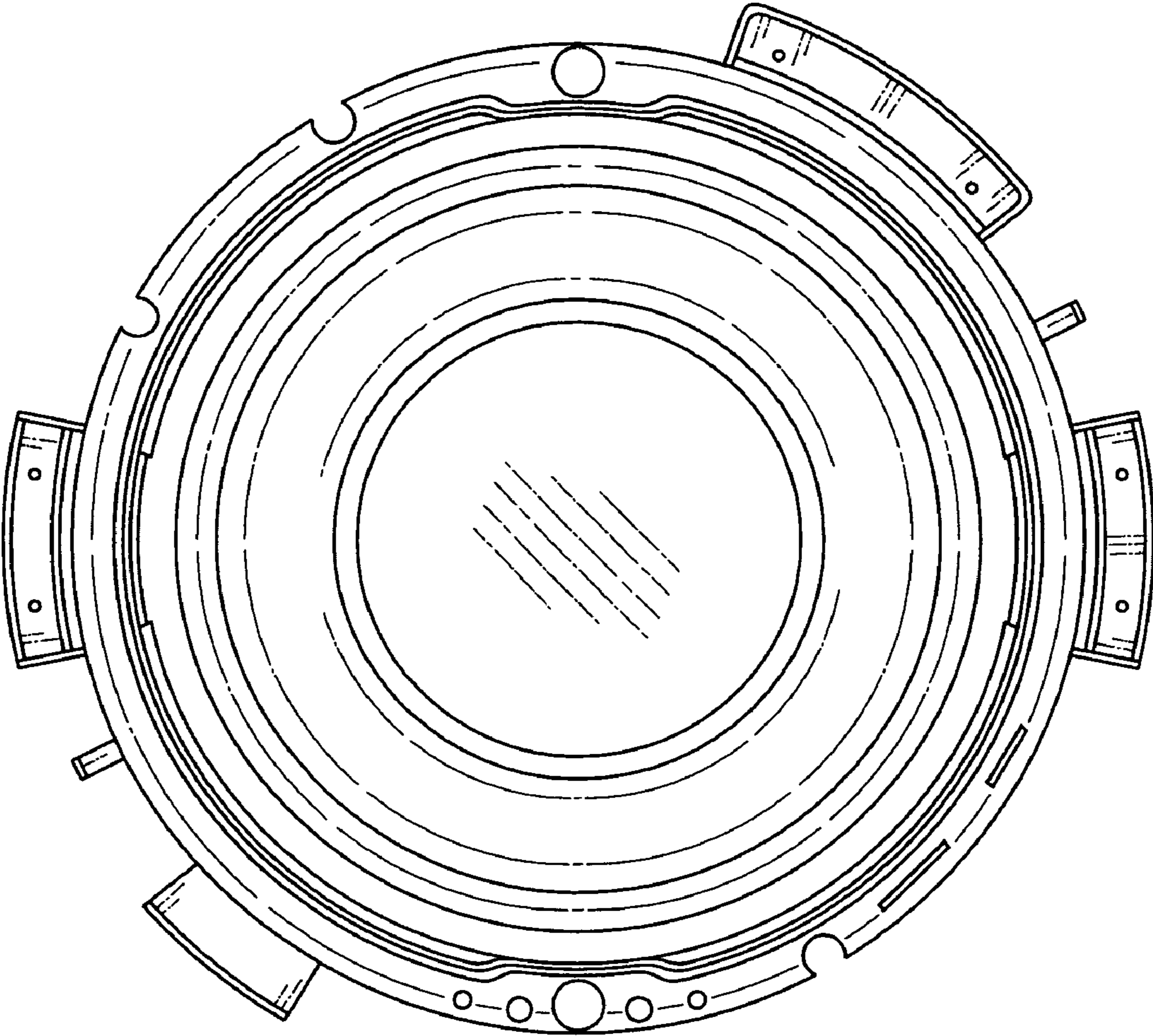


FIG. 6

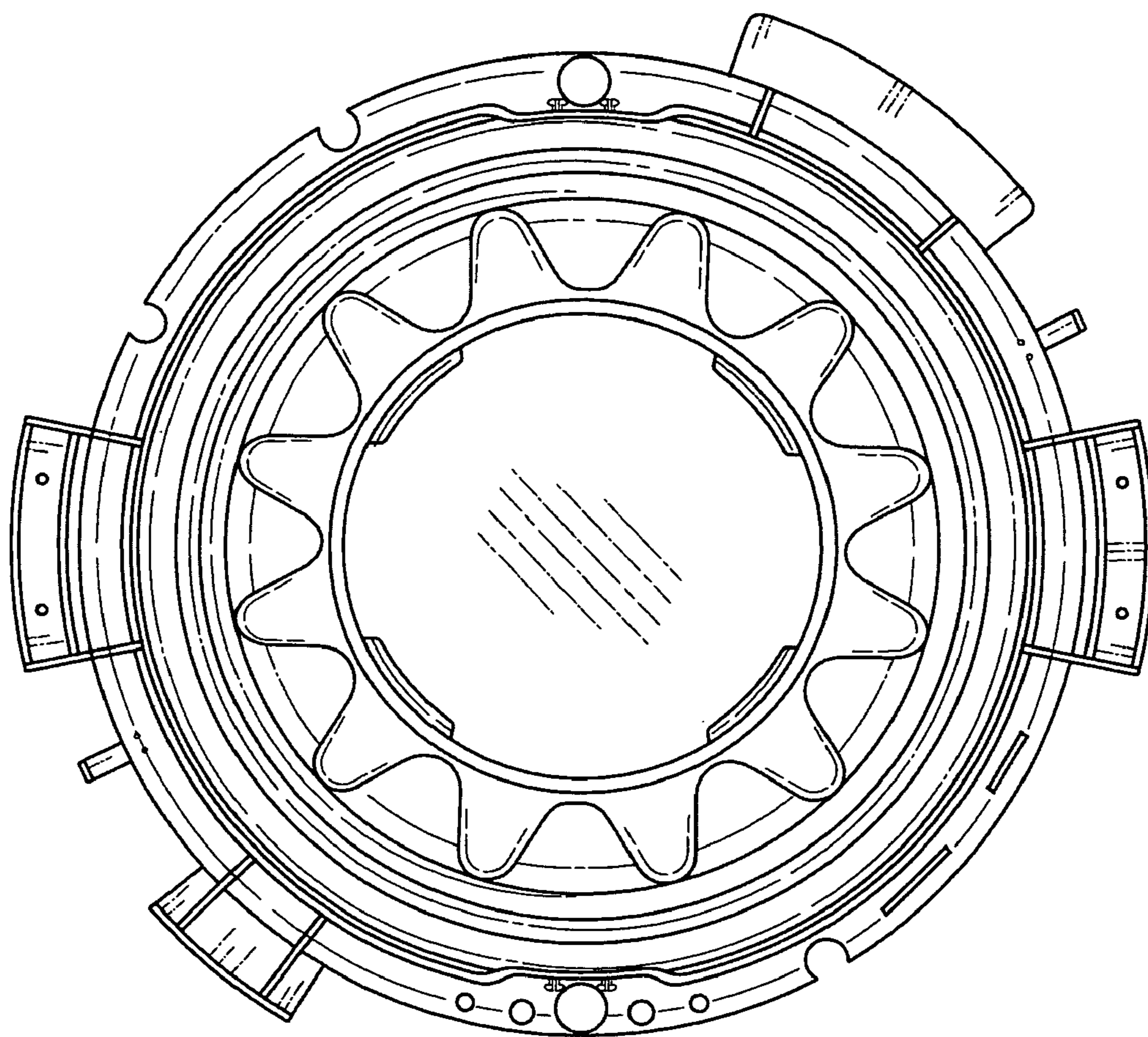


FIG. 7