



US00D603571S

(12) **United States Design Patent**  
**Drummond**

(10) **Patent No.:** **US D603,571 S**

(45) **Date of Patent:** **\*\* Nov. 3, 2009**

(54) **AIR-TIGHT PAINT TRAY**

(76) Inventor: **Linda S. Drummond**, 1429 Strong Ave.,  
Elkhart, IN (US) 46514

(\*\*) Term: **14 Years**

(21) Appl. No.: **29/313,750**

(22) Filed: **Feb. 6, 2009**

(51) **LOC (9) Cl.** ..... **07-07**

(52) **U.S. Cl.** ..... **D32/53.1**

(58) **Field of Classification Search** ..... D32/53,  
D32/53.1, 54; 15/257.01-257.06, 570  
See application file for complete search history.

(56) **References Cited**

U.S. PATENT DOCUMENTS

3,514,012	A *	5/1970	Martin	.....	220/570
4,445,250	A *	5/1984	Seidl	.....	15/257.06
4,541,542	A	9/1985	Florentino		
4,547,926	A	10/1985	Kern		
4,651,379	A	3/1987	Kern		
D289,456	S	4/1987	Florentino		
4,802,576	A	2/1989	Kern		
5,316,137	A	5/1994	Kyllonen		
5,533,228	A	7/1996	Jarecki et al.		
5,553,701	A	9/1996	Jarecki et al.		
D400,329	S	10/1998	Lindo		

5,966,772	A	10/1999	Woodnorth et al.		
6,622,884	B1 *	9/2003	Gartner	.....	220/570
7,083,044	B1	8/2006	Kilian et al.		
D548,417	S	8/2007	Korn		

\* cited by examiner

*Primary Examiner*—Robin V Webster

(74) *Attorney, Agent, or Firm*—Robert C. Montgomery;  
Joseph T. Yaksich

(57) **CLAIM**

The ornamental design for an air-tight paint tray, as shown and described.

**DESCRIPTION**

FIG. 1 is an exploded isometric view of an air-tight paint tray, as shown and described;

FIG. 2 is an isometric view thereof a lid feature attached to a tray feature;

FIG. 3 is an exploded front view thereof;

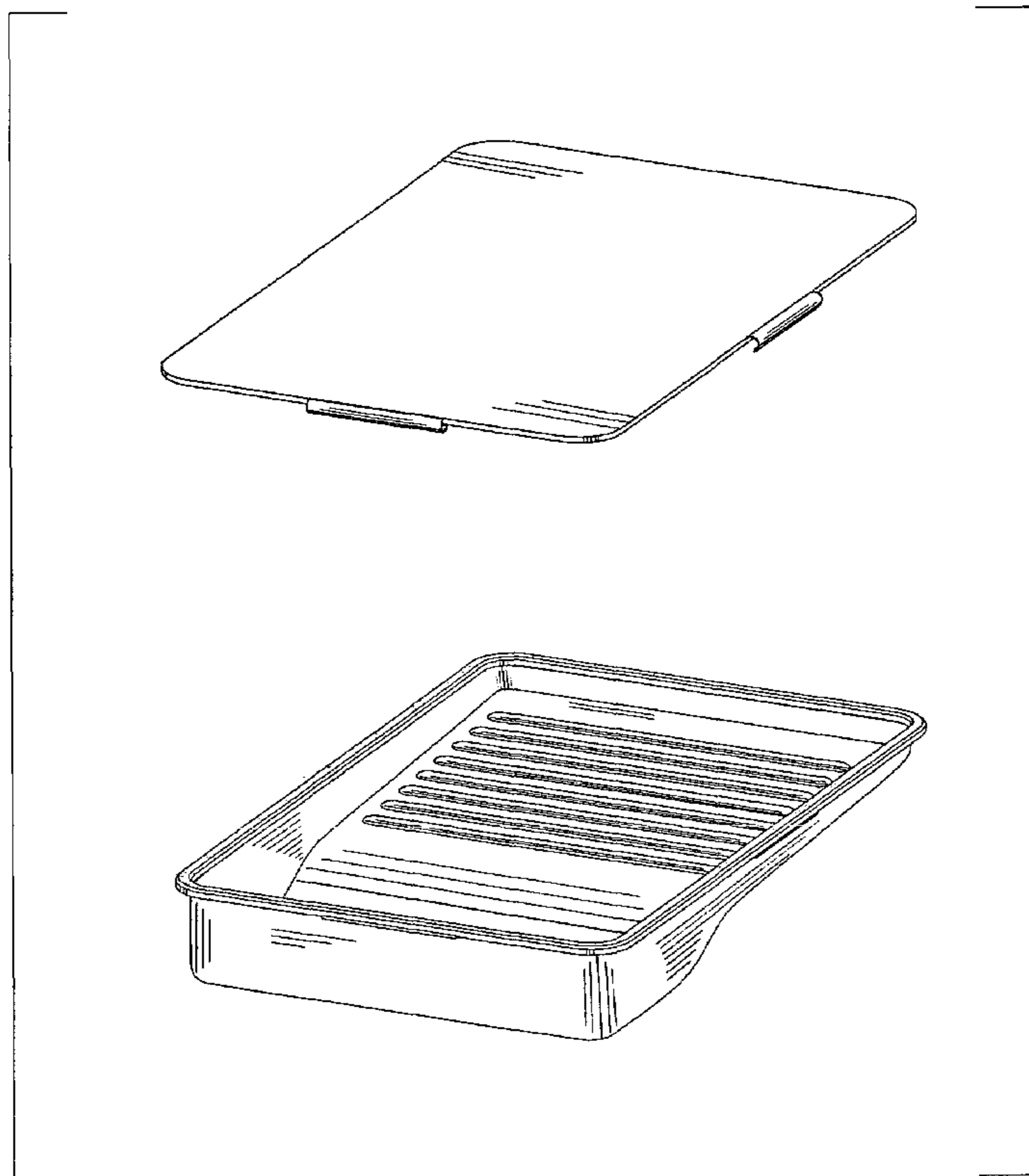
FIG. 4 is an exploded rear view thereof;

FIG. 5 is an exploded right side view with a left side view being a mirror image thereof;

FIG. 6 is an exploded top view thereof; and,

FIG. 7 is an exploded bottom view thereof.

**1 Claim, 7 Drawing Sheets**



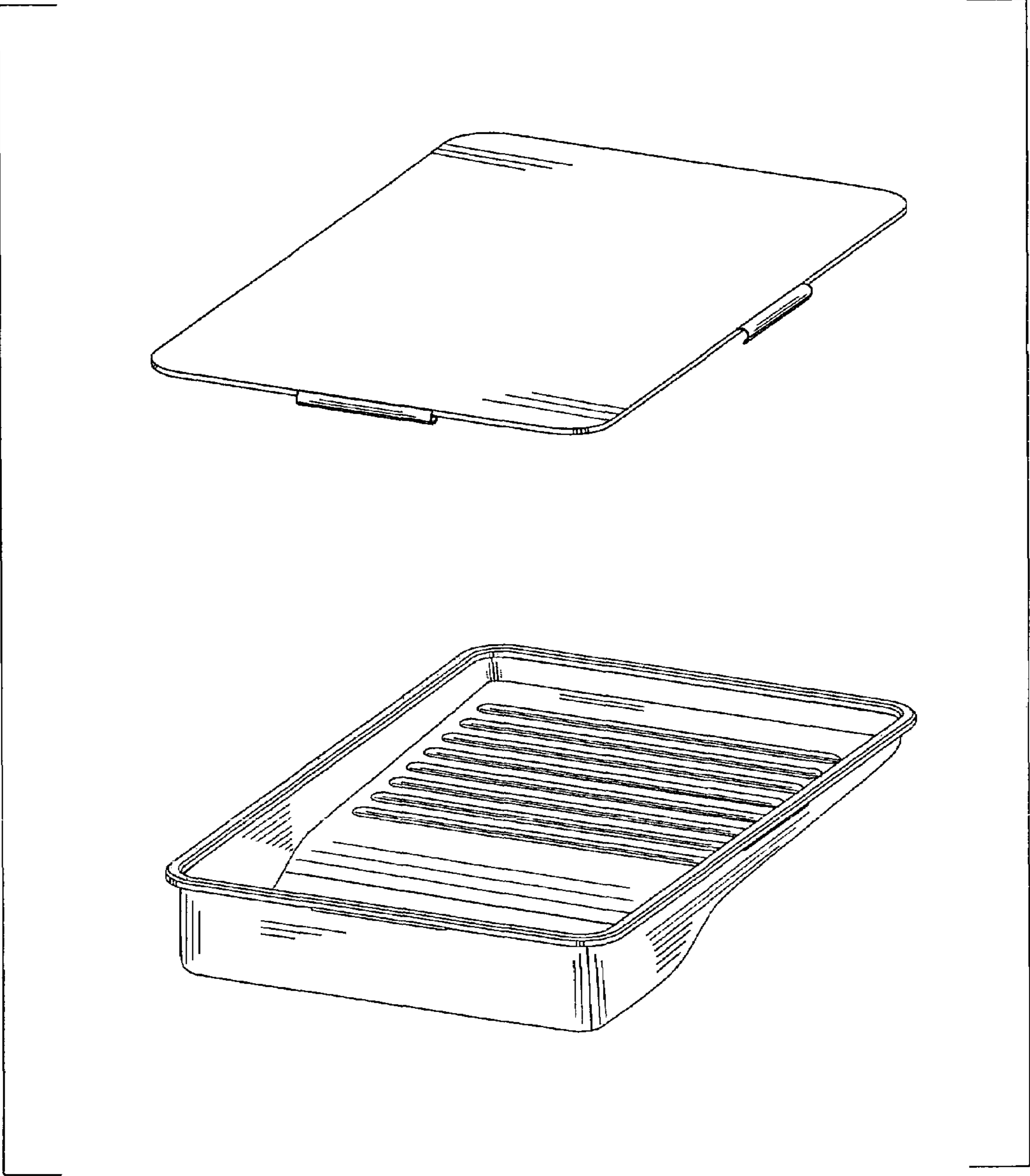


Fig. 1

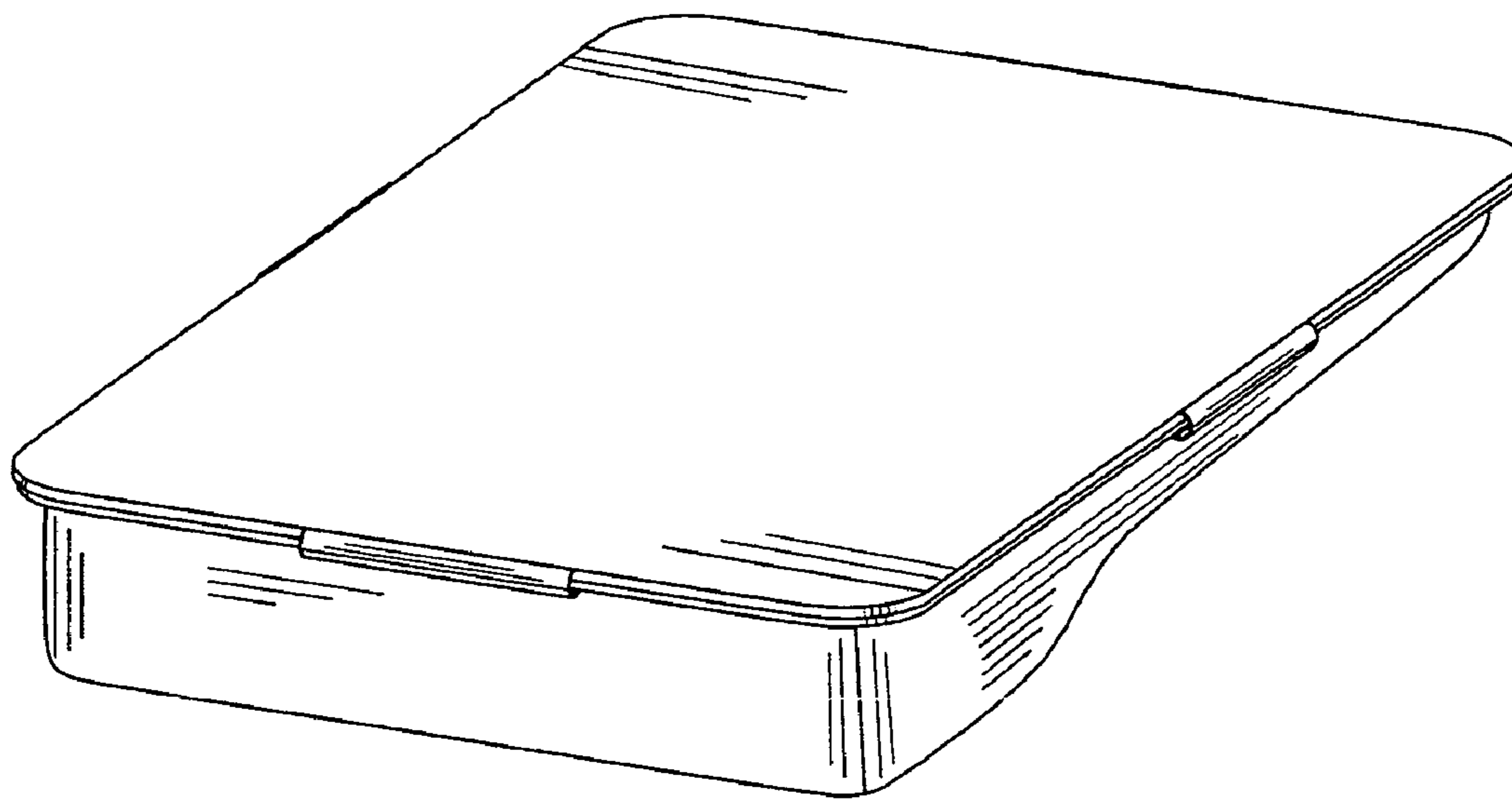


Fig. 2

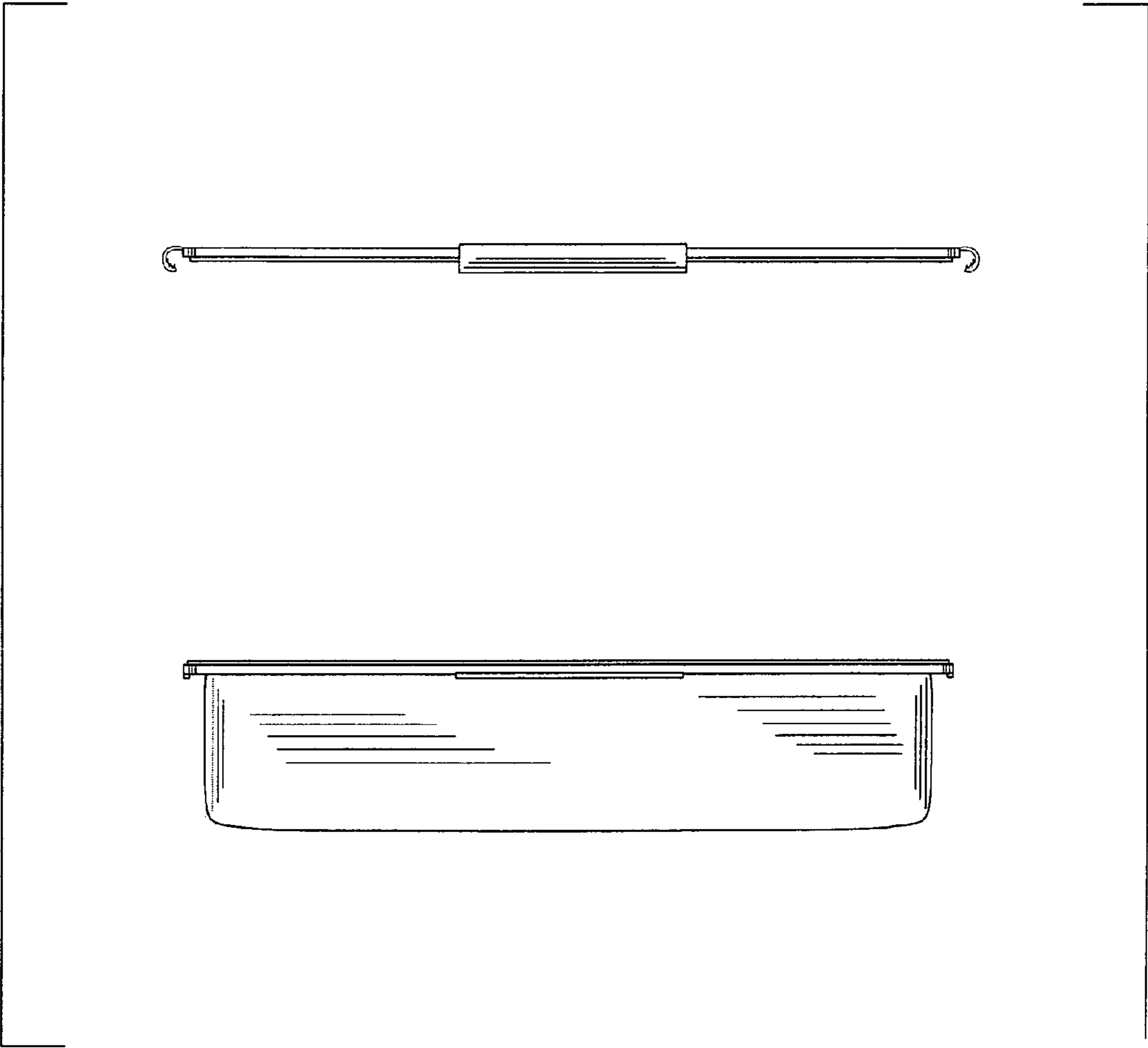


Fig. 3

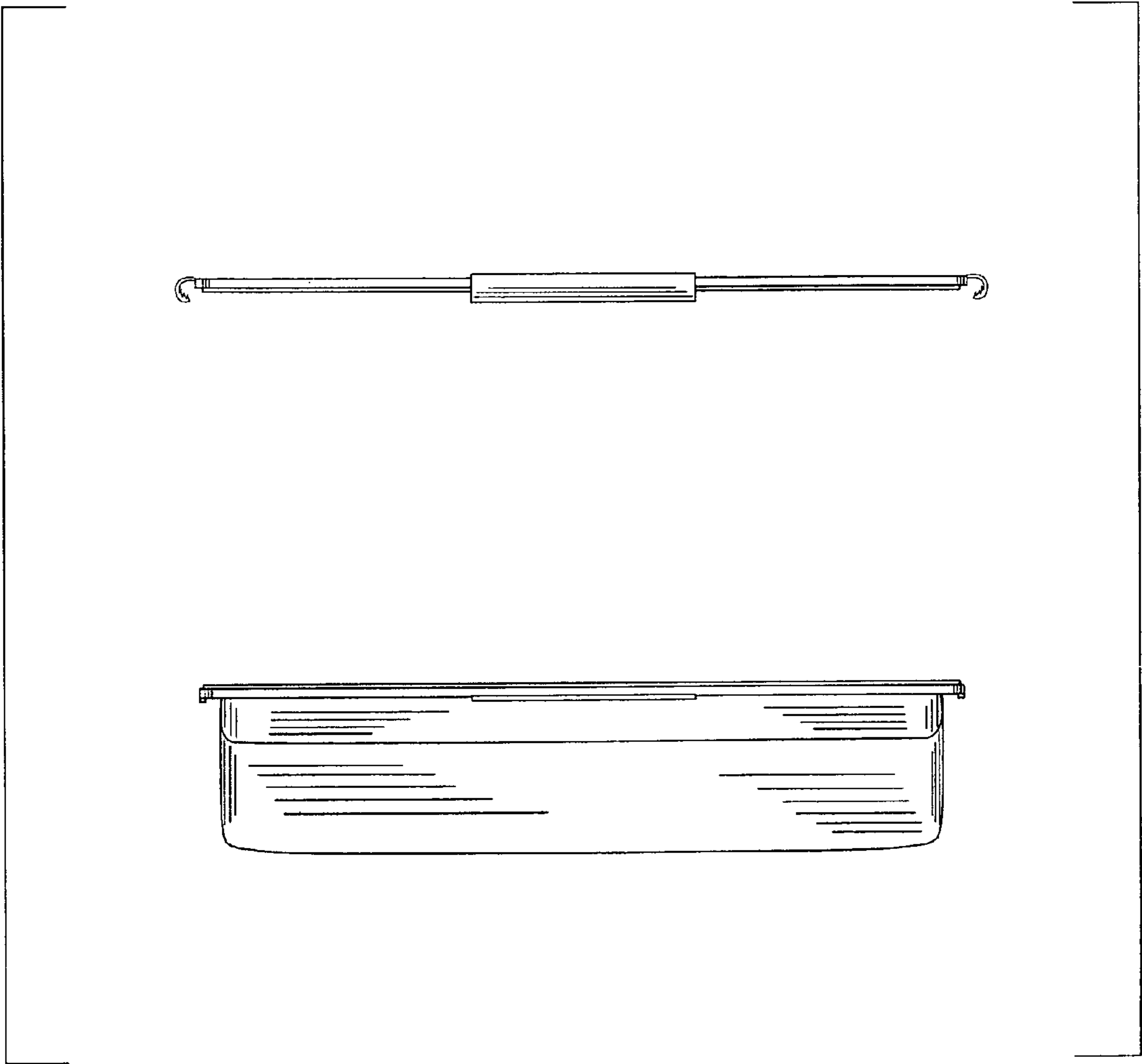


Fig. 4

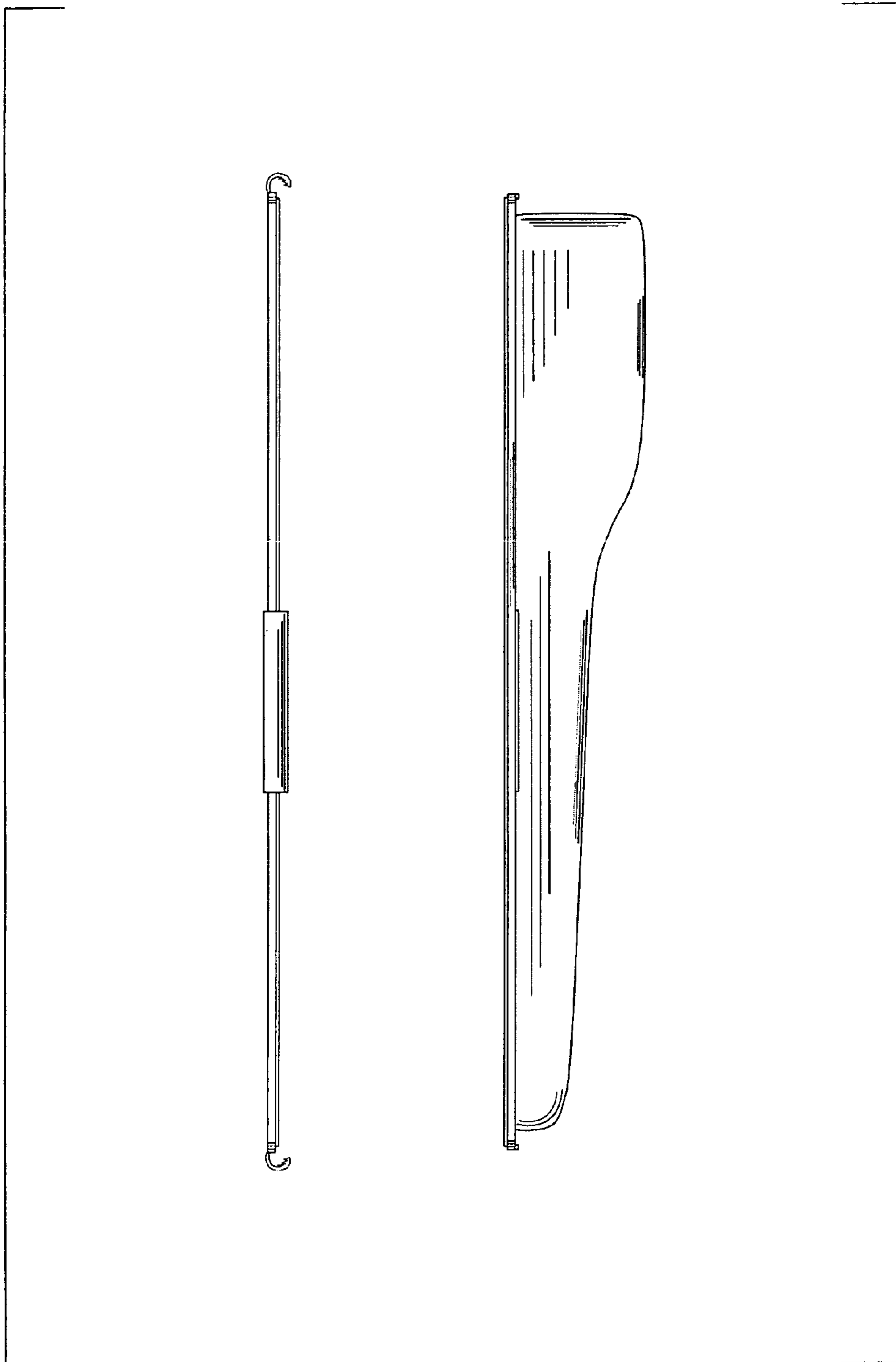


Fig. 5

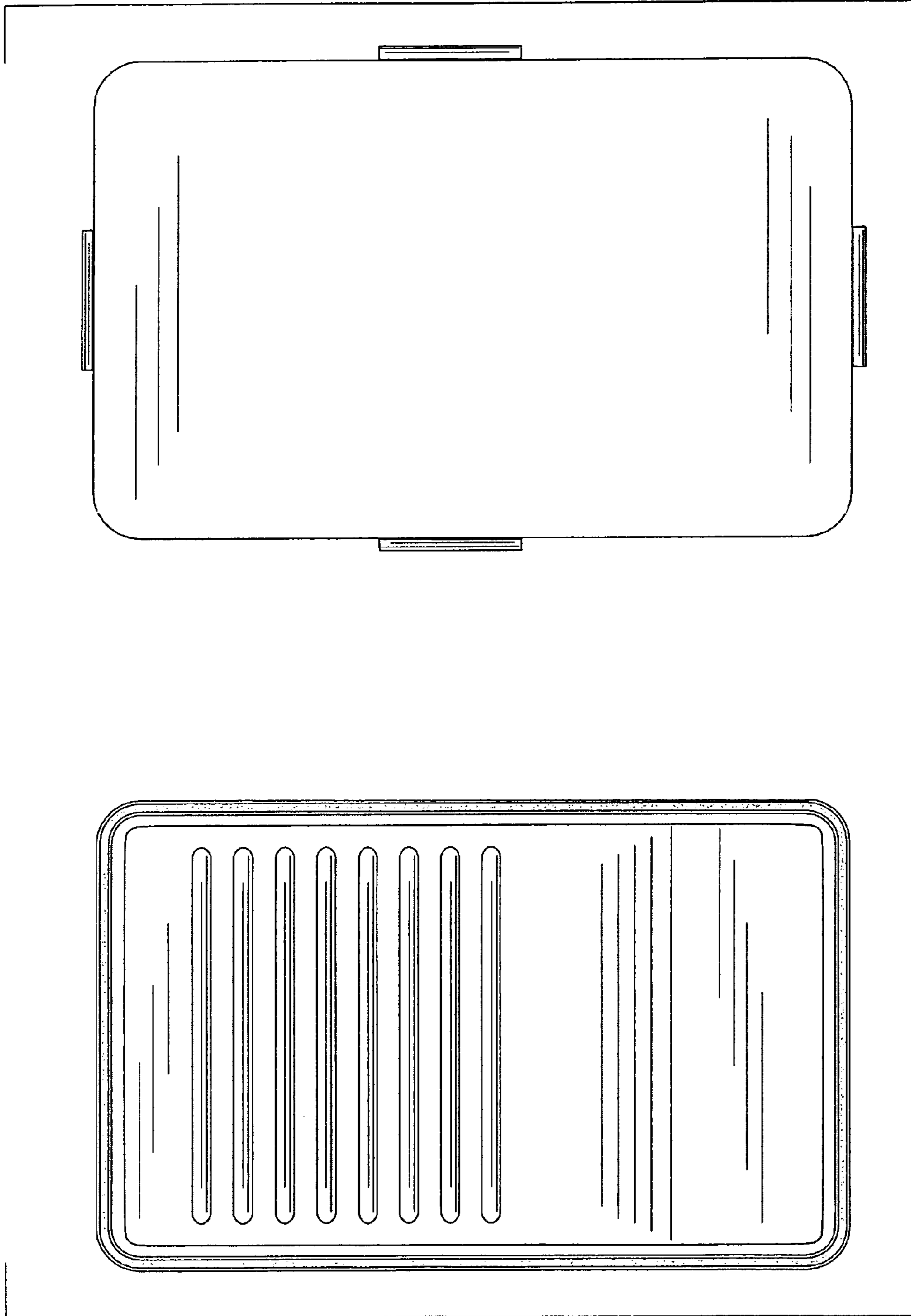


Fig. 6

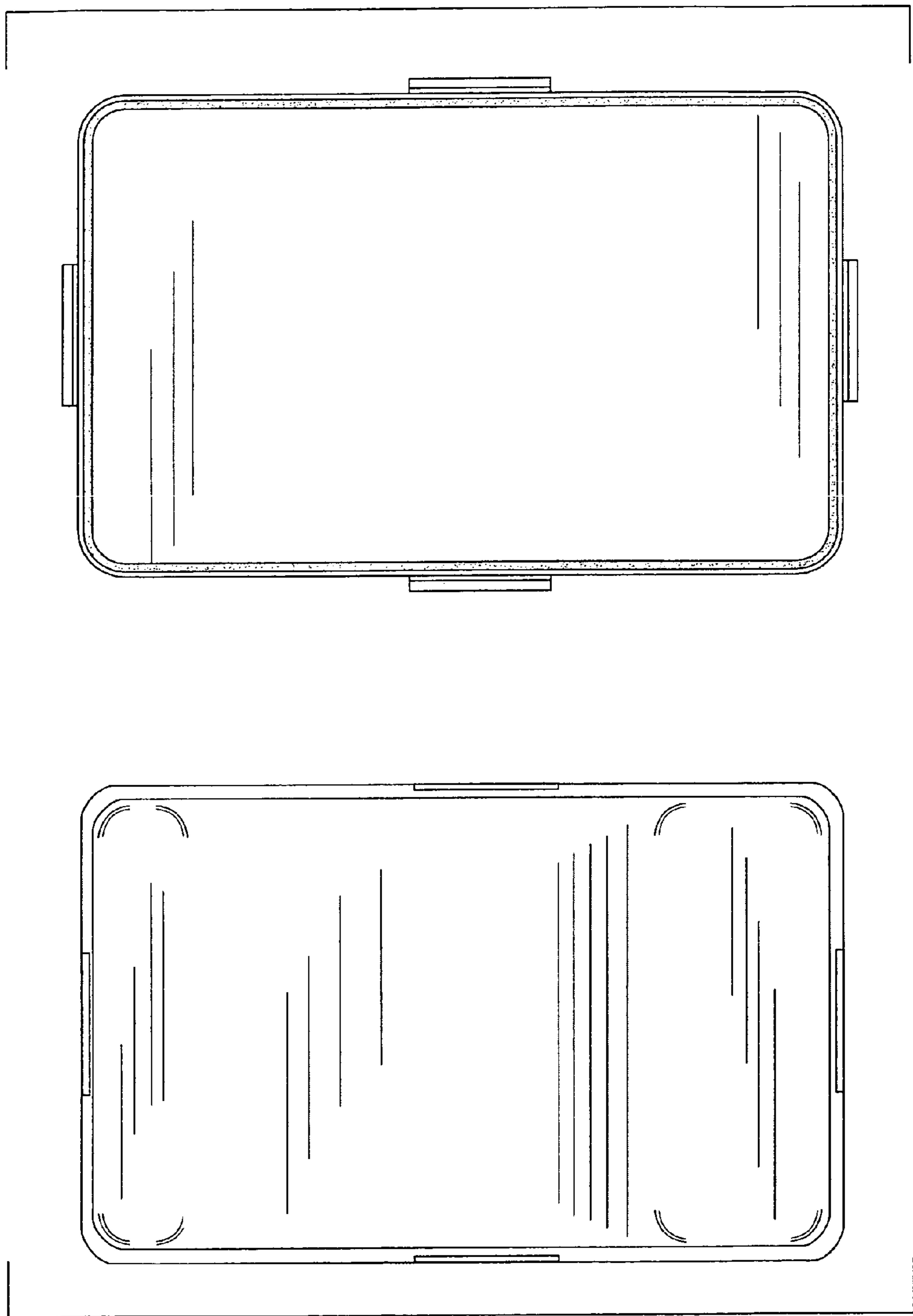


Fig. 7