



US00D603570S

(12) **United States Design Patent**  
**Svantesson et al.**

(10) **Patent No.:** **US D603,570 S**  
(45) **Date of Patent:** **\*\* Nov. 3, 2009**

(54) **ATTACHMENT FOR A CLEANING DEVICE**

(75) Inventors: **Esbjörn Svantesson**, Täby (SE); **Greg Luebbering**, Heyworth, IL (US)

(73) Assignee: **Aktiebolaget Electrolux**, Stockholm (SE)

(\*\*) Term: **14 Years**

(21) Appl. No.: **29/321,152**

(22) Filed: **Jul. 11, 2008**

(30) **Foreign Application Priority Data**

Jan. 14, 2008 (EM) ..... 000859152

(51) **LOC (9) Cl.** ..... **15-05**

(52) **U.S. Cl.** ..... **D32/32**

(58) **Field of Classification Search** ..... D32/22,  
D32/31-33, 38; 15/349, 329, 338, 357, 363,  
15/366, 375, 378, 394, 399, 400, 246.2, 327.1,  
15/327.6-327.7, 334, 415.1-422, 422.1,  
15/412, 414, 393, 398, 350, 353-359; 55/DIG. 3  
See application file for complete search history.

(56) **References Cited**

**U.S. PATENT DOCUMENTS**

D141,802 S *	7/1945	Wittke	.....	D32/33
D149,060 S *	3/1948	Harvuot	.....	D32/33
D178,141 S *	6/1956	Martinec	.....	D32/33
D179,671 S *	2/1957	Andersson-Sason	.....	D32/33
D200,194 S *	2/1965	Frost	.....	D32/33
D355,059 S *	1/1995	Ennis	.....	D32/33
5,502,870 A	4/1996	Ragner et al.		
D400,325 S *	10/1998	Broecking	.....	D32/33
D470,633 S *	2/2003	Kitts	.....	D32/33
D519,696 S *	4/2006	Adams	.....	D32/33
D520,202 S *	5/2006	Dyson et al.	.....	D32/33
7,260,869 B2 *	8/2007	Kim	.....	15/416

2005/0044660 A1\* 3/2005 Kim ..... 15/415.1

**FOREIGN PATENT DOCUMENTS**

WO WO2007025923 3/2007

**OTHER PUBLICATIONS**

International Search Report for PCT/EP2006/065600 (3 sheets) dated Nov. 16, 2006.

\* cited by examiner

*Primary Examiner*—Ruth McInroy

(74) *Attorney, Agent, or Firm*—Banner & Witcoff, Ltd.

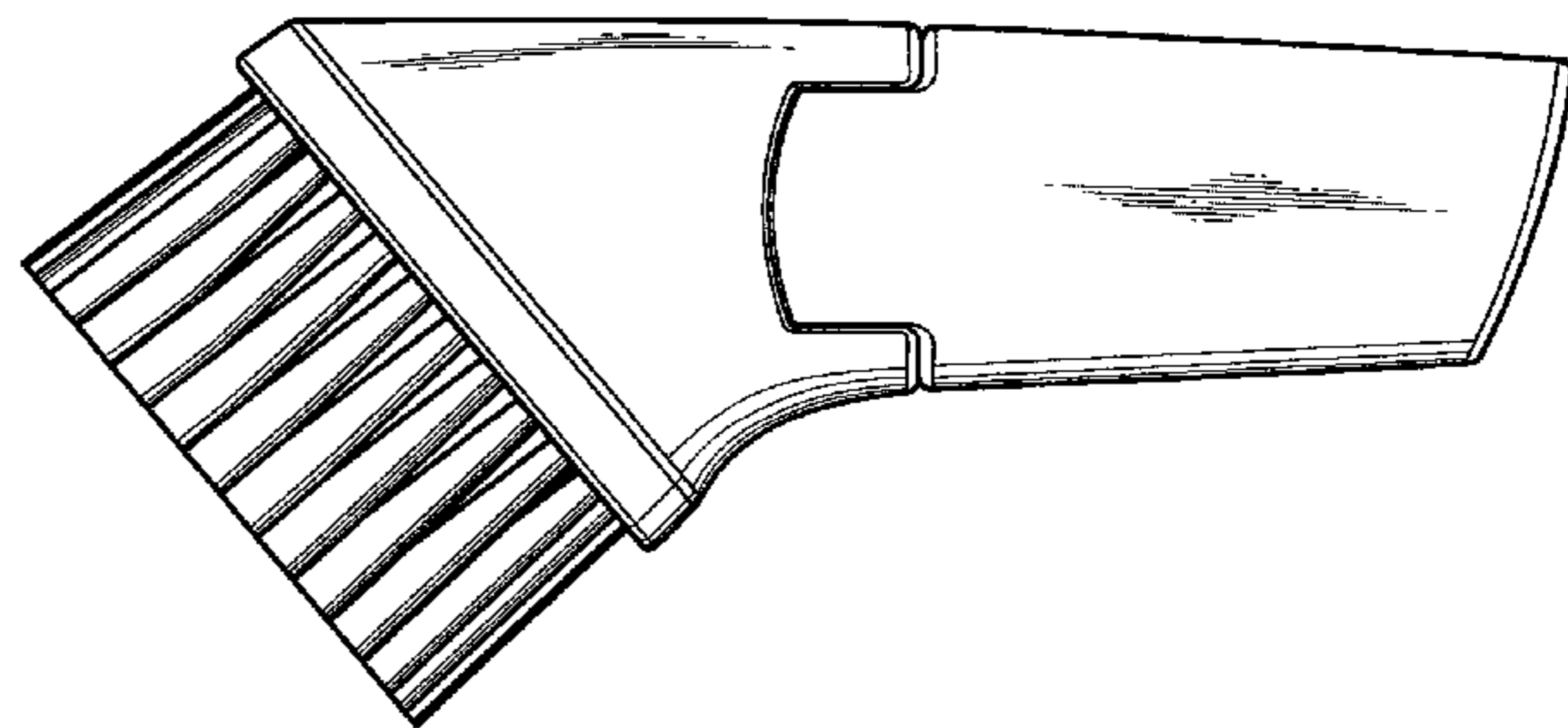
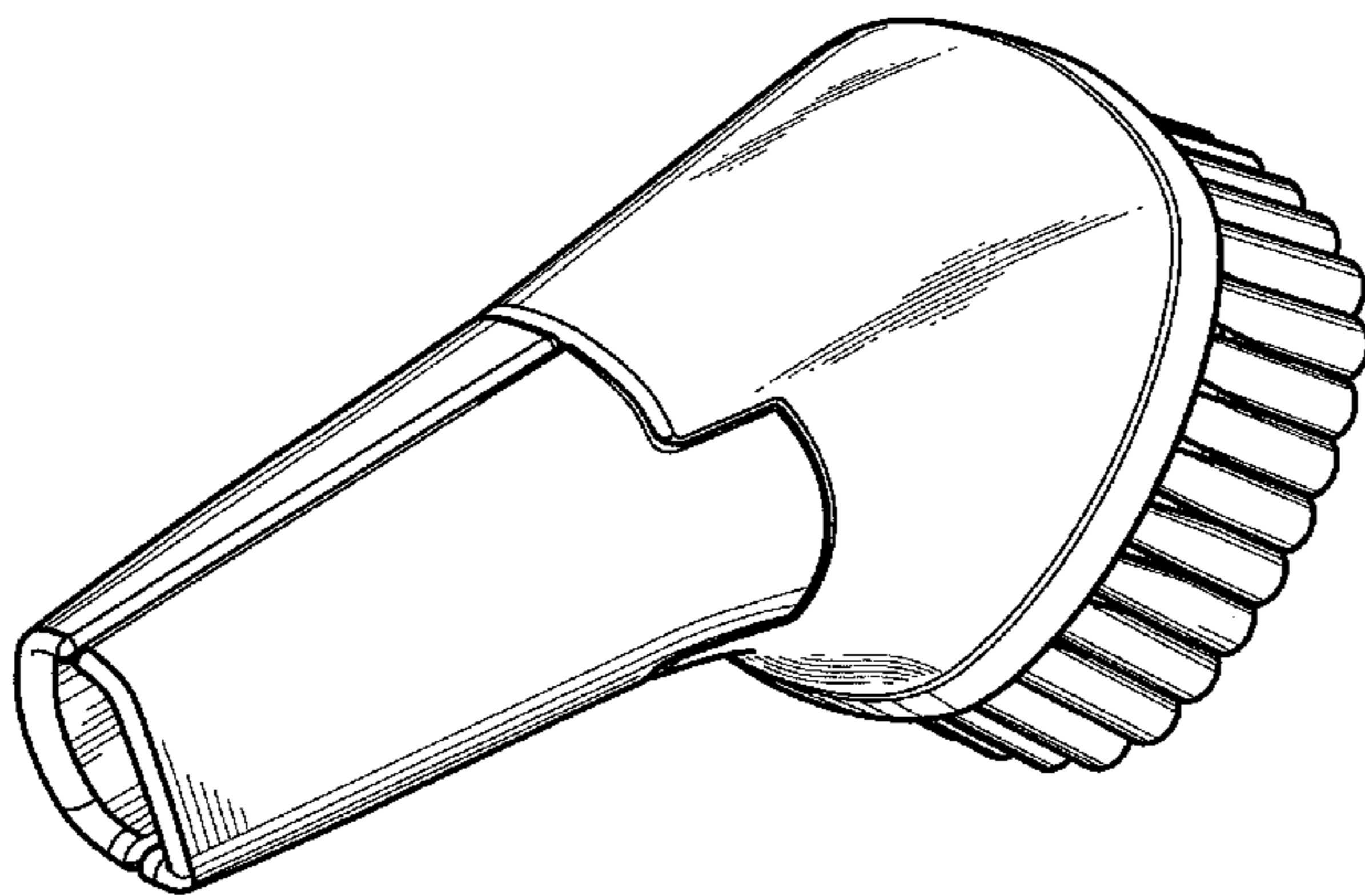
(57) **CLAIM**

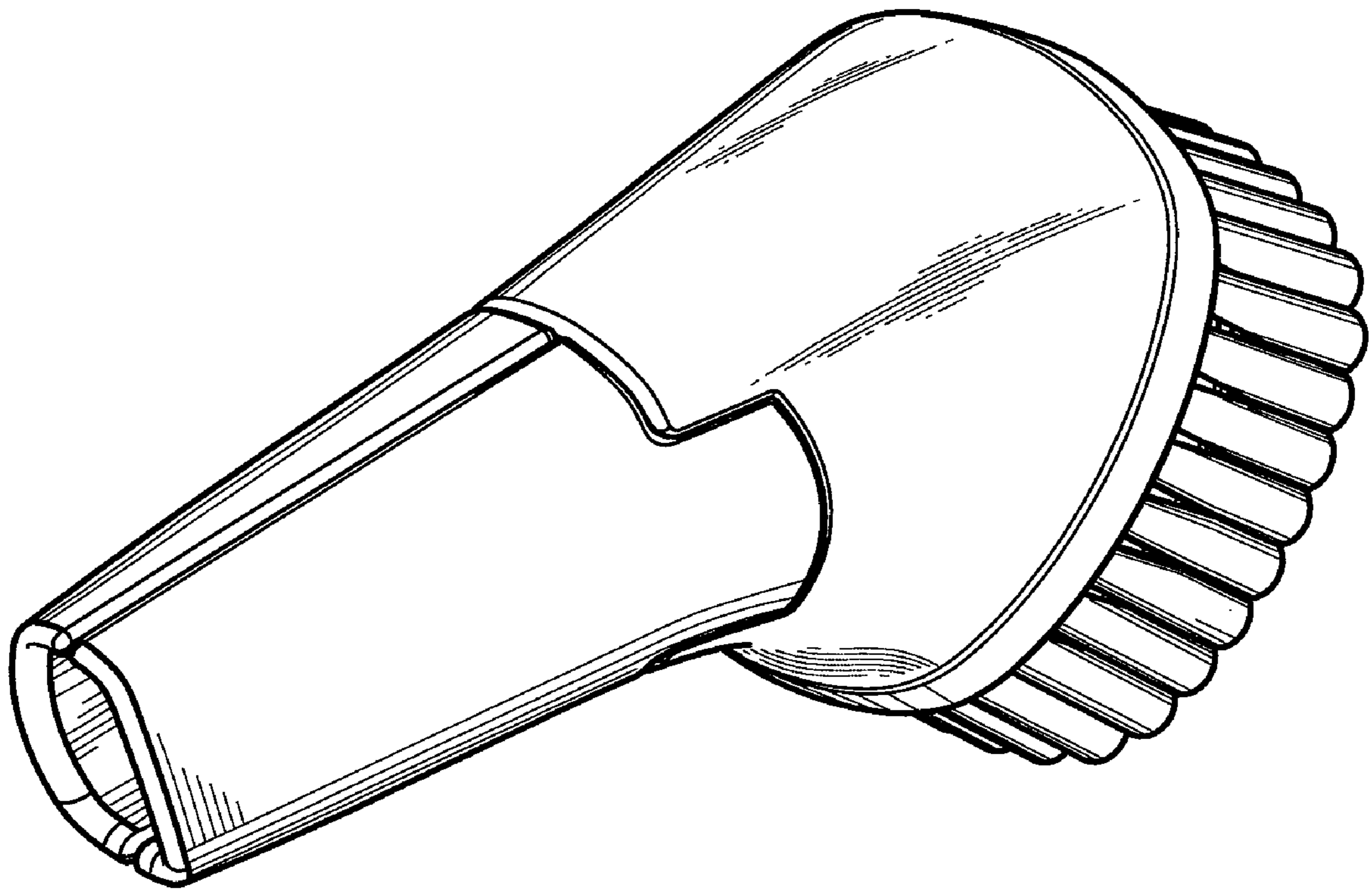
The ornamental design for an attachment for a cleaning device, as shown and described.

**DESCRIPTION**

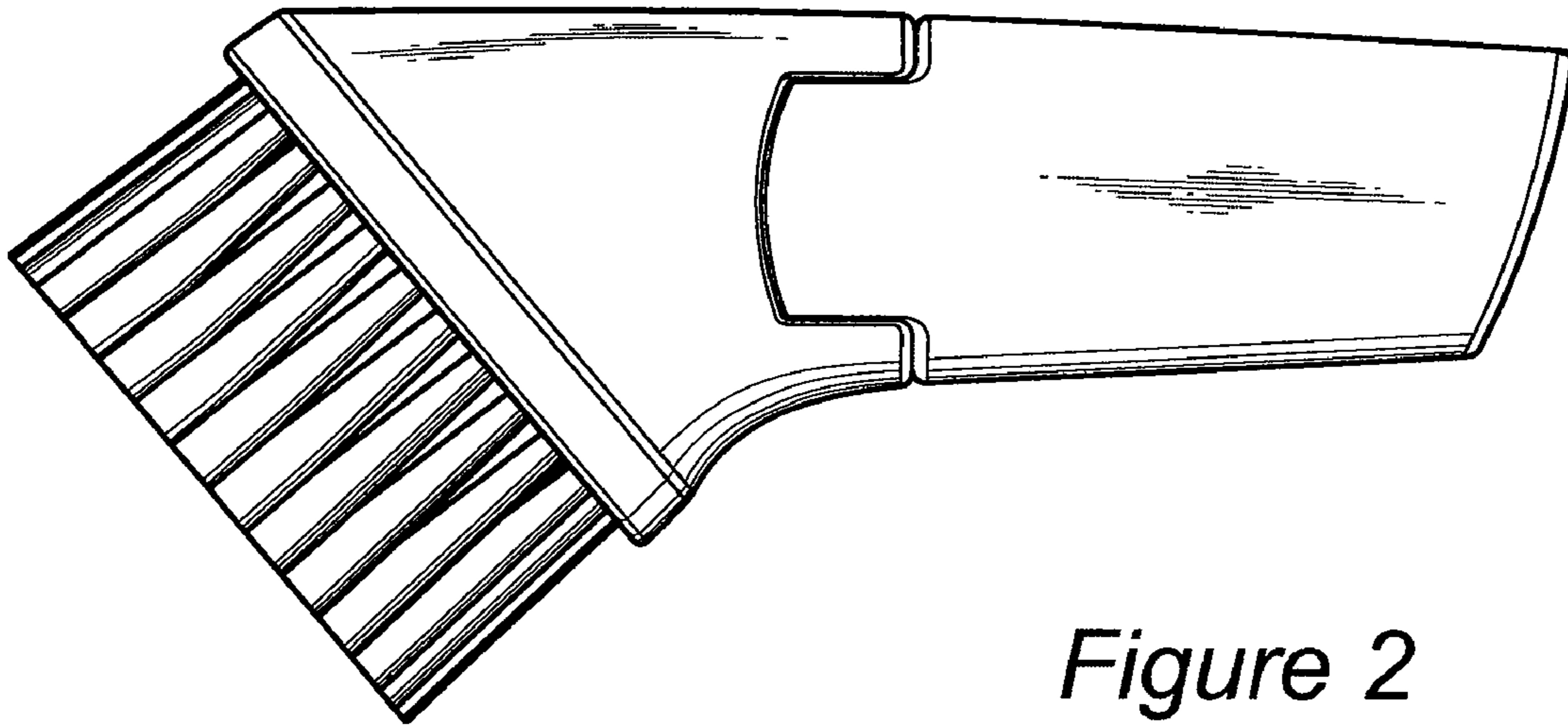
FIG. 1 is a perspective view of a first embodiment of an attachment for a cleaning device showing our new design; FIG. 2 is a left side view thereof; FIG. 3 is a top plan view thereof; FIG. 4 is a bottom plan view thereof; FIG. 5 is a right side view thereof; FIG. 6 is a rear elevational view thereof; FIG. 7 is a front elevational view thereof; FIG. 8 is a perspective view of a second embodiment of an attachment for a cleaning device showing our new design; FIG. 9 is a right side view thereof; FIG. 10 is a top plan view thereof; FIG. 11 is a bottom plan view thereof; FIG. 12 is a left side view thereof; FIG. 13 is a rear elevational view thereof; and, FIG. 14 is a front elevational view thereof.

**1 Claim, 8 Drawing Sheets**

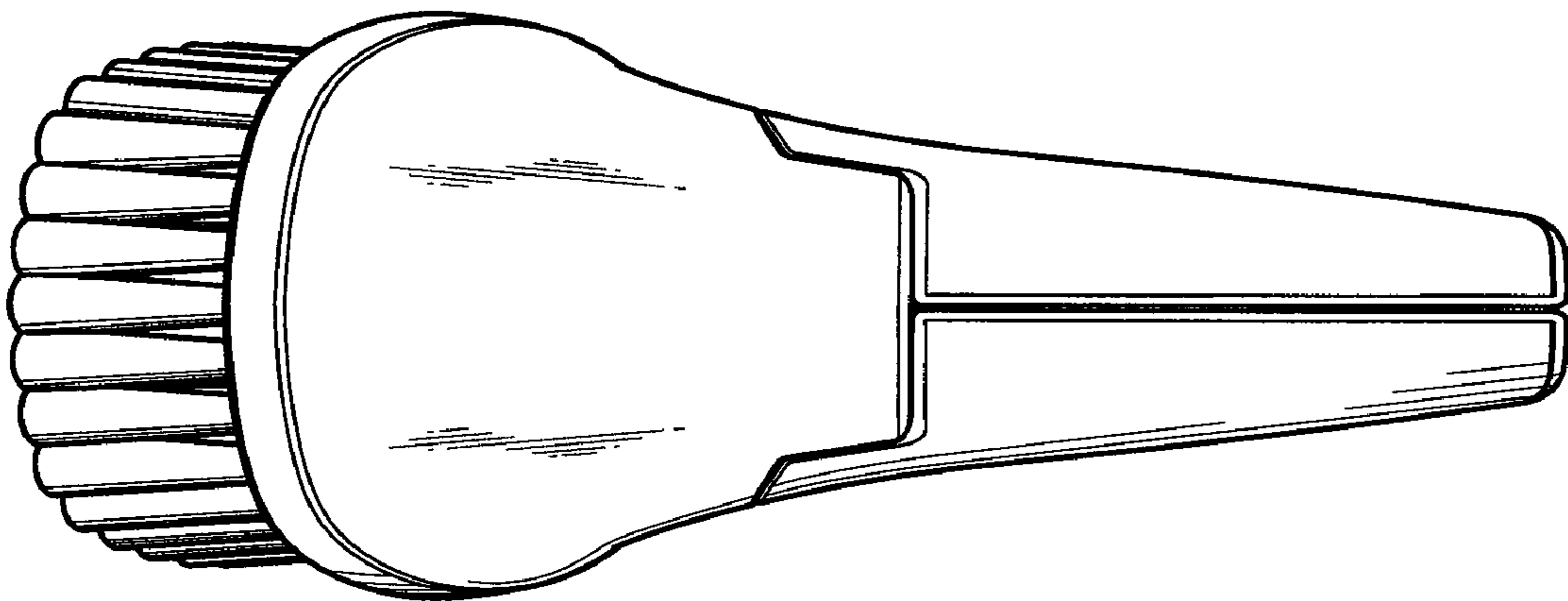




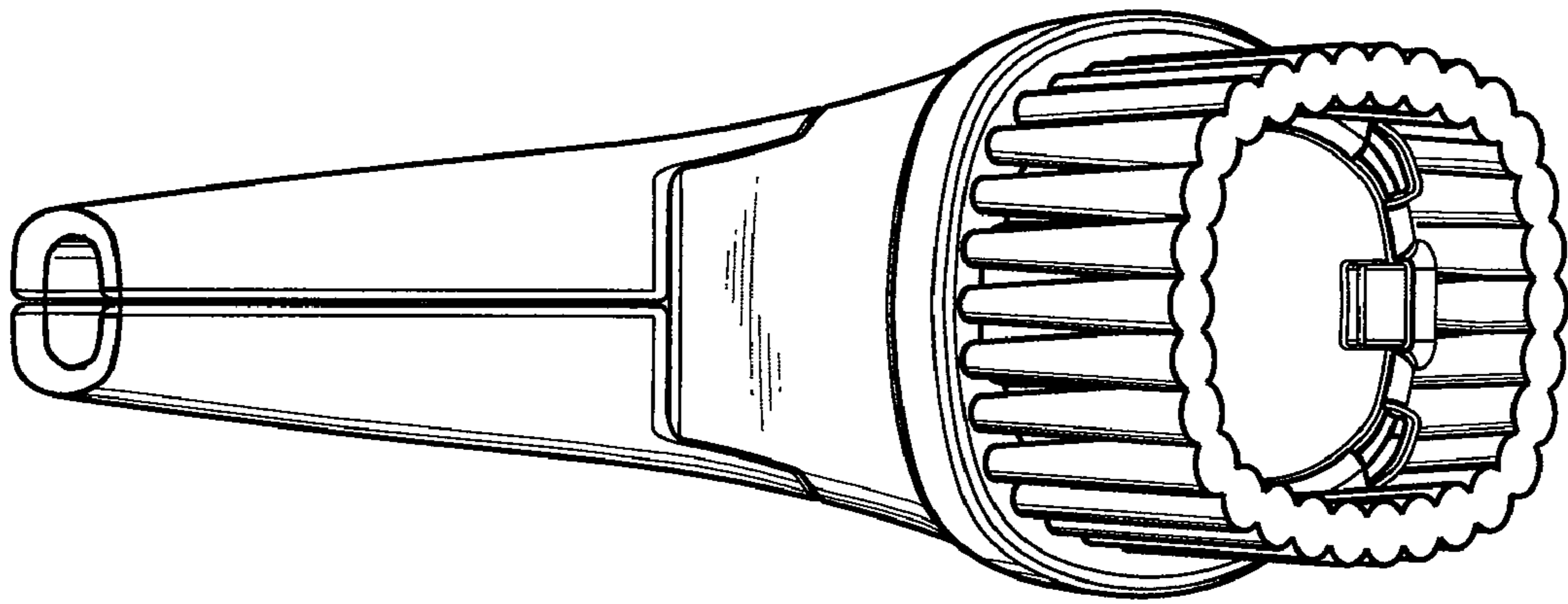
*Figure 1*



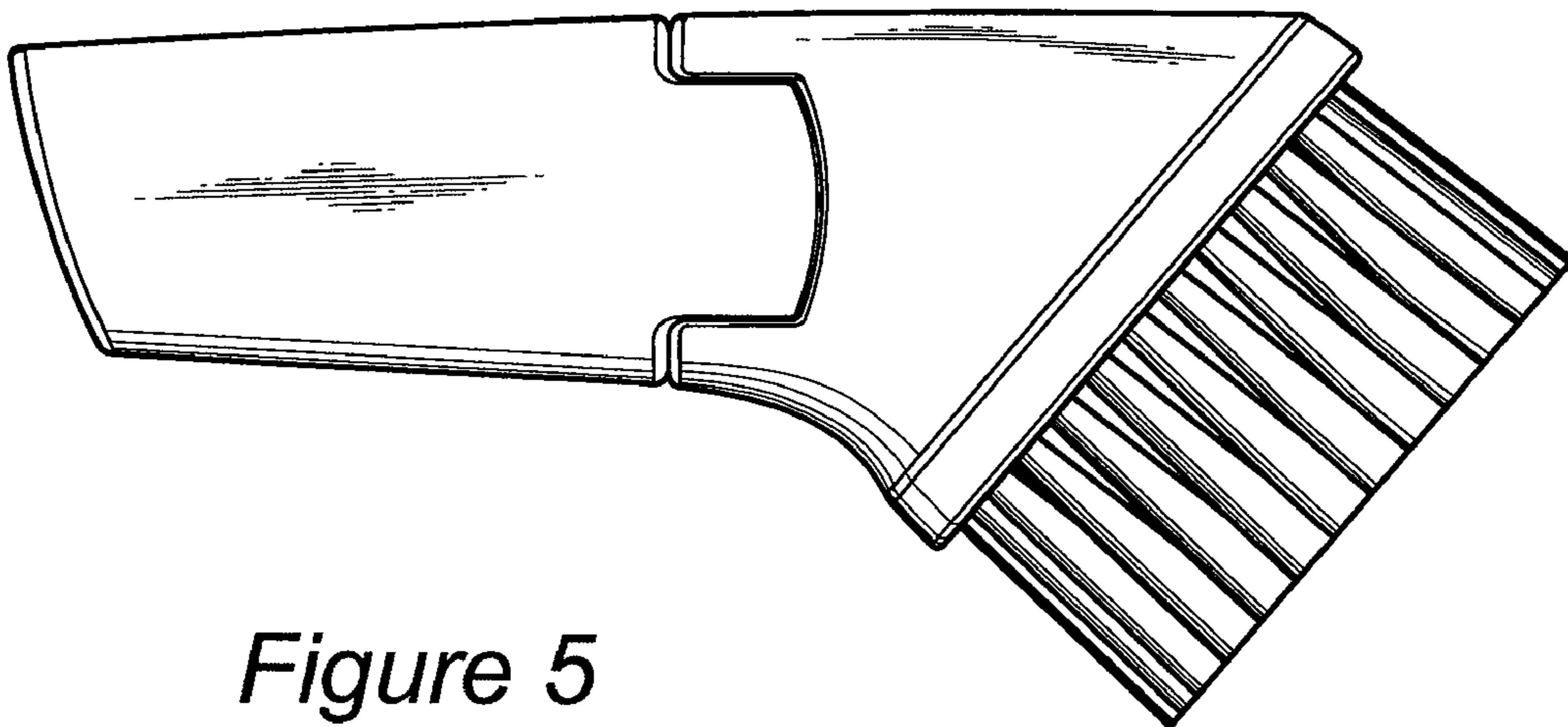
*Figure 2*



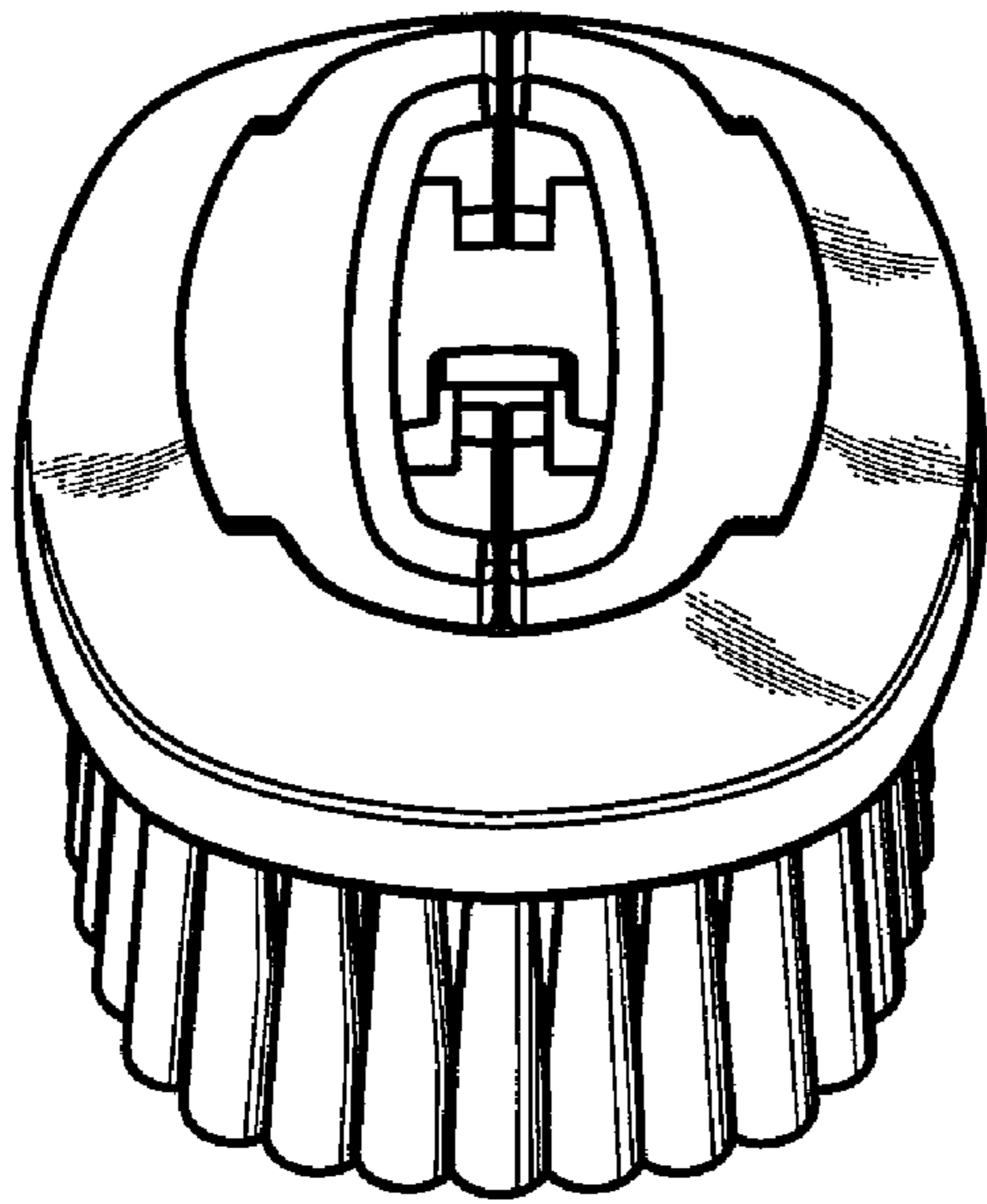
*Figure 3*



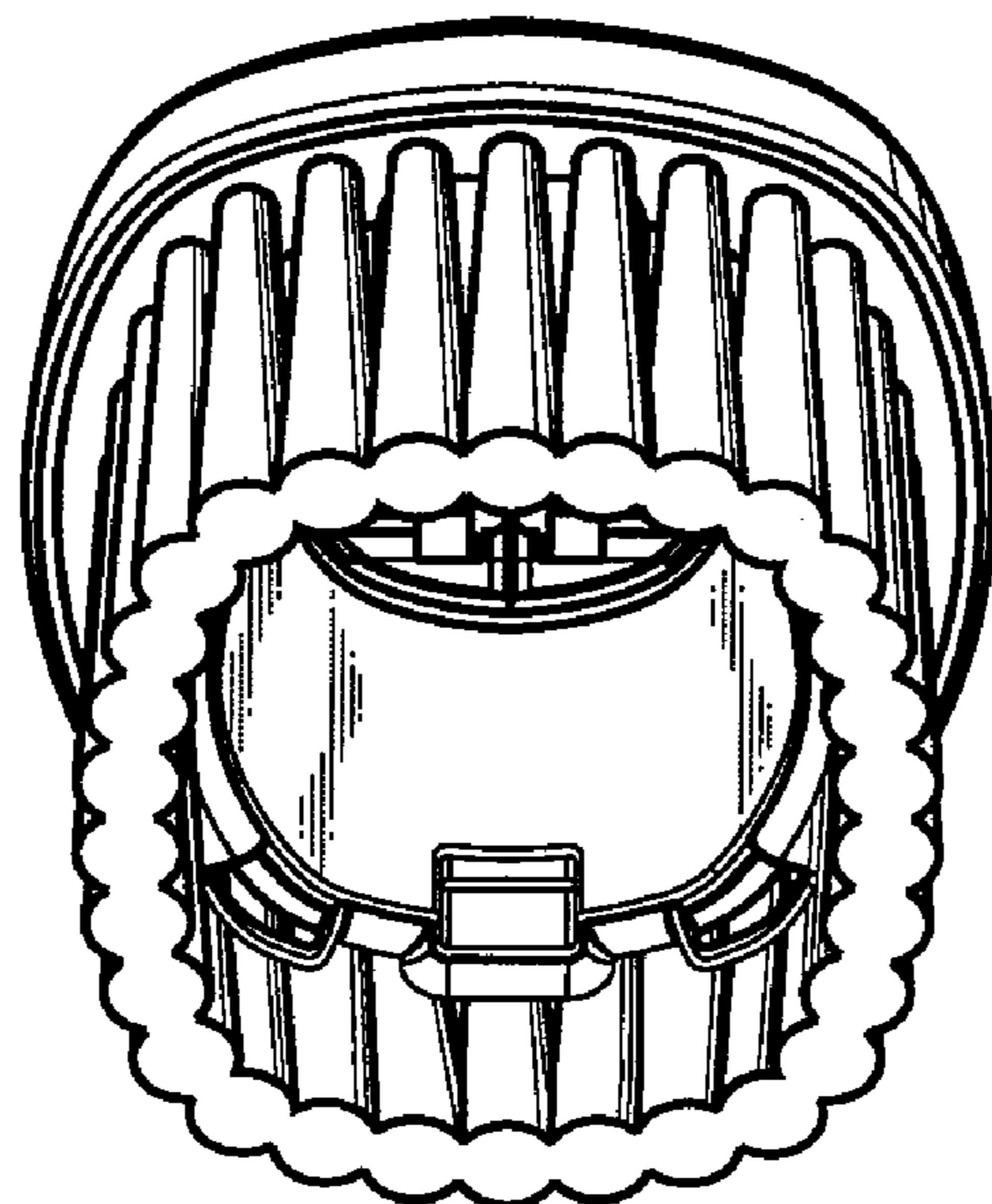
*Figure 4*



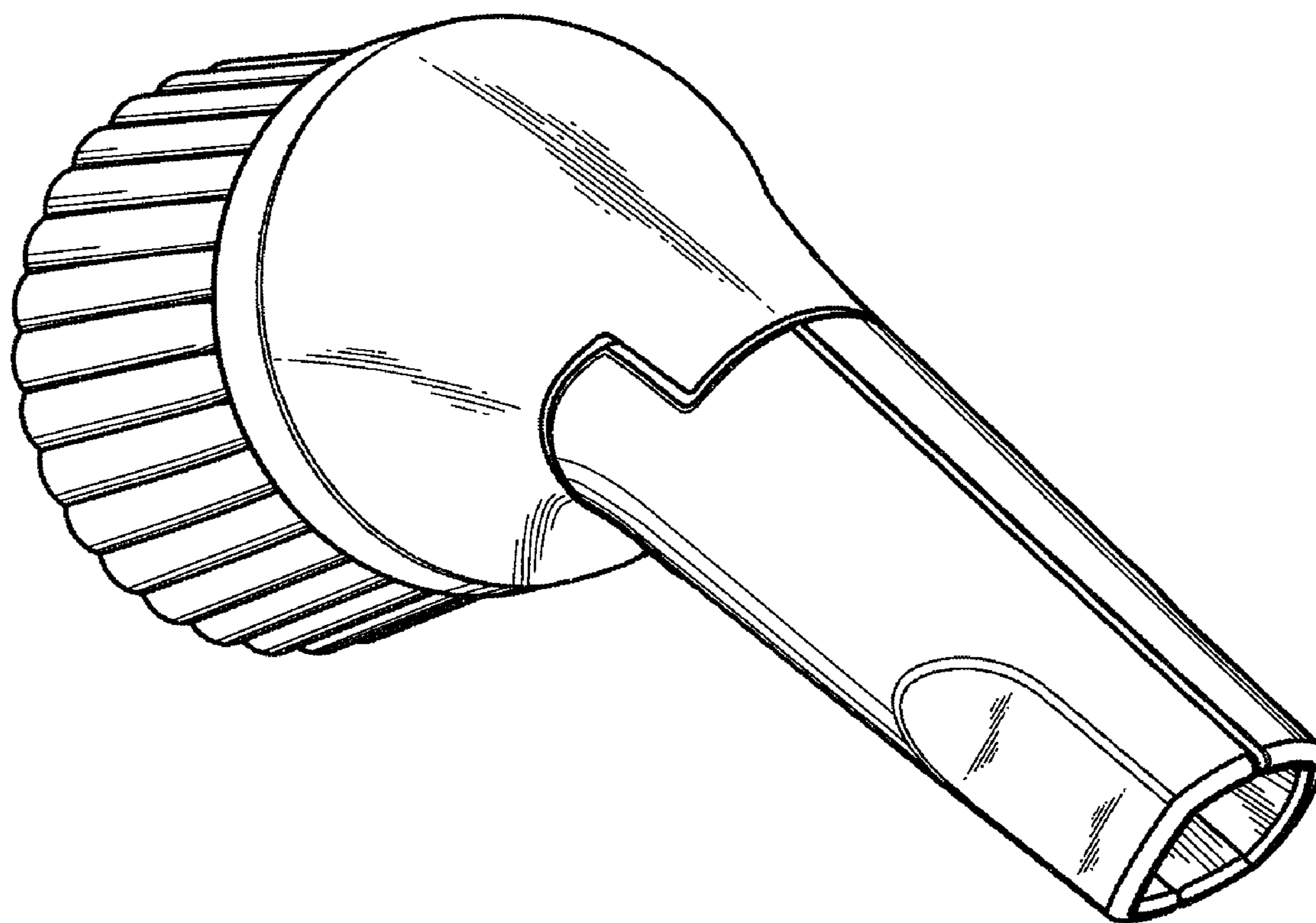
*Figure 5*



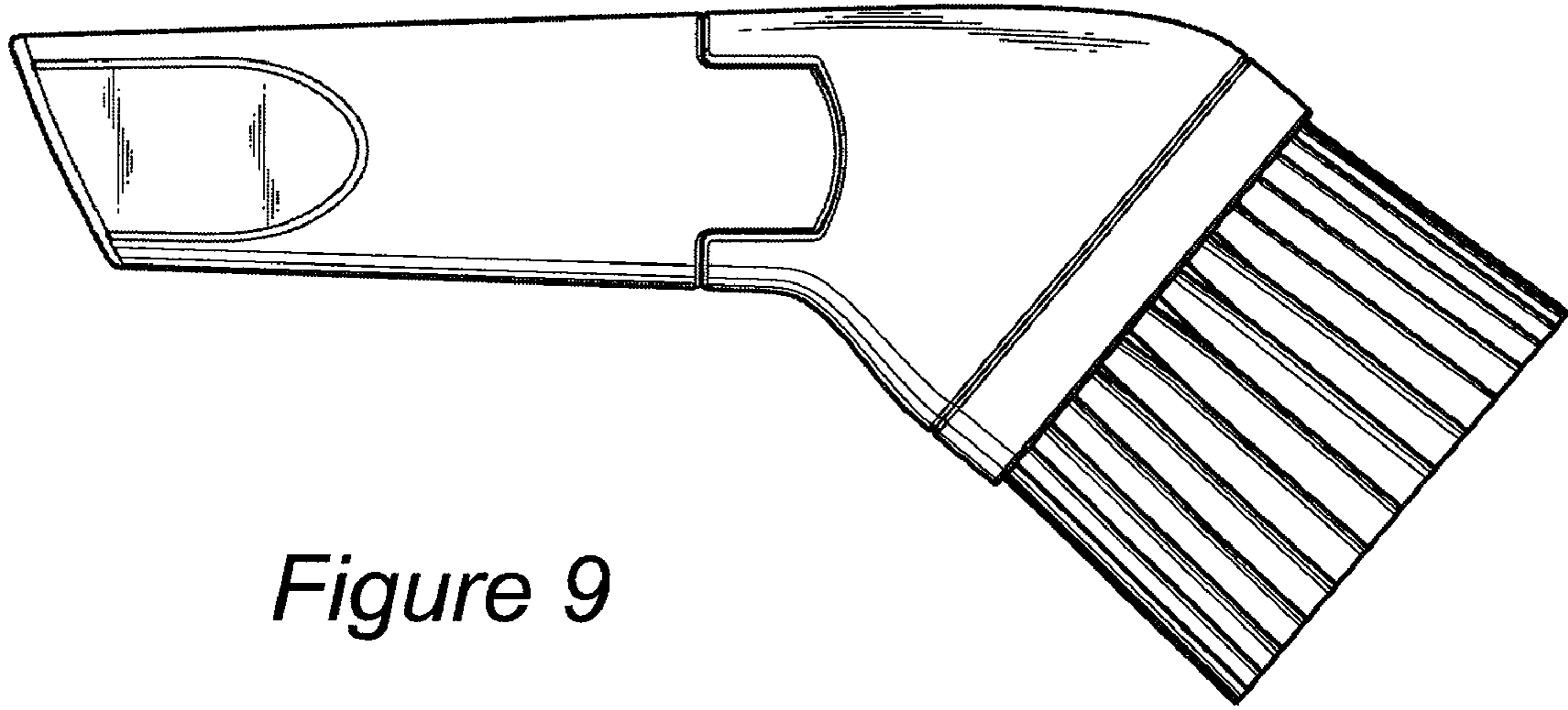
*Figure 6*



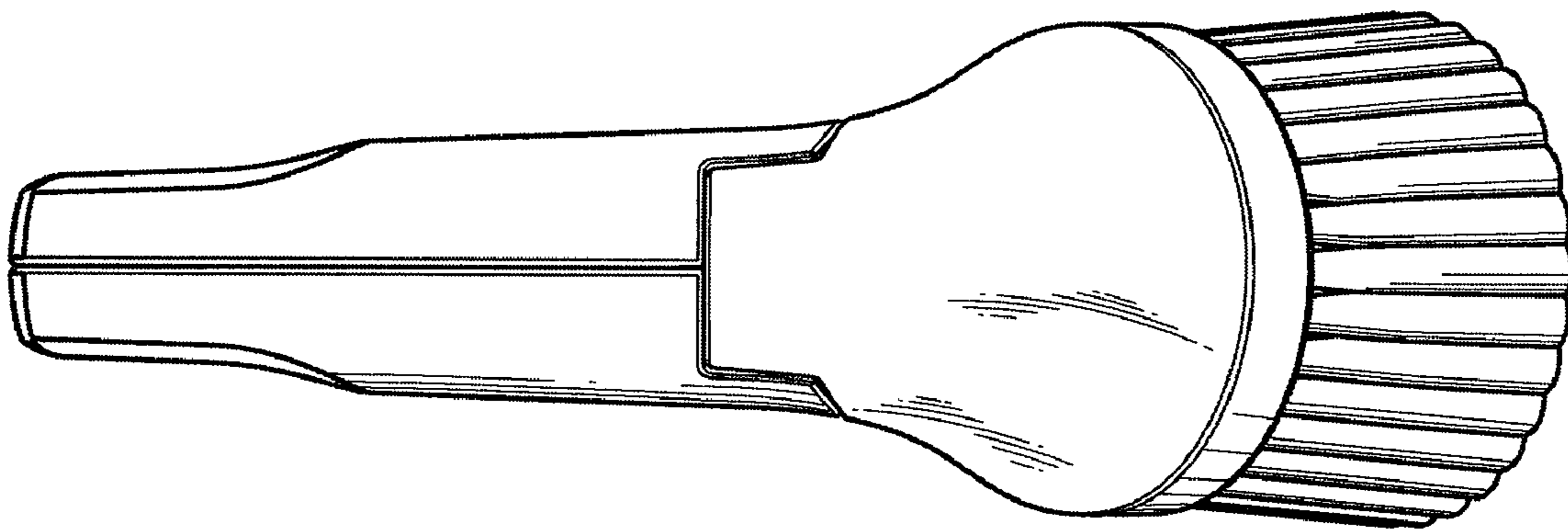
*Figure 7*



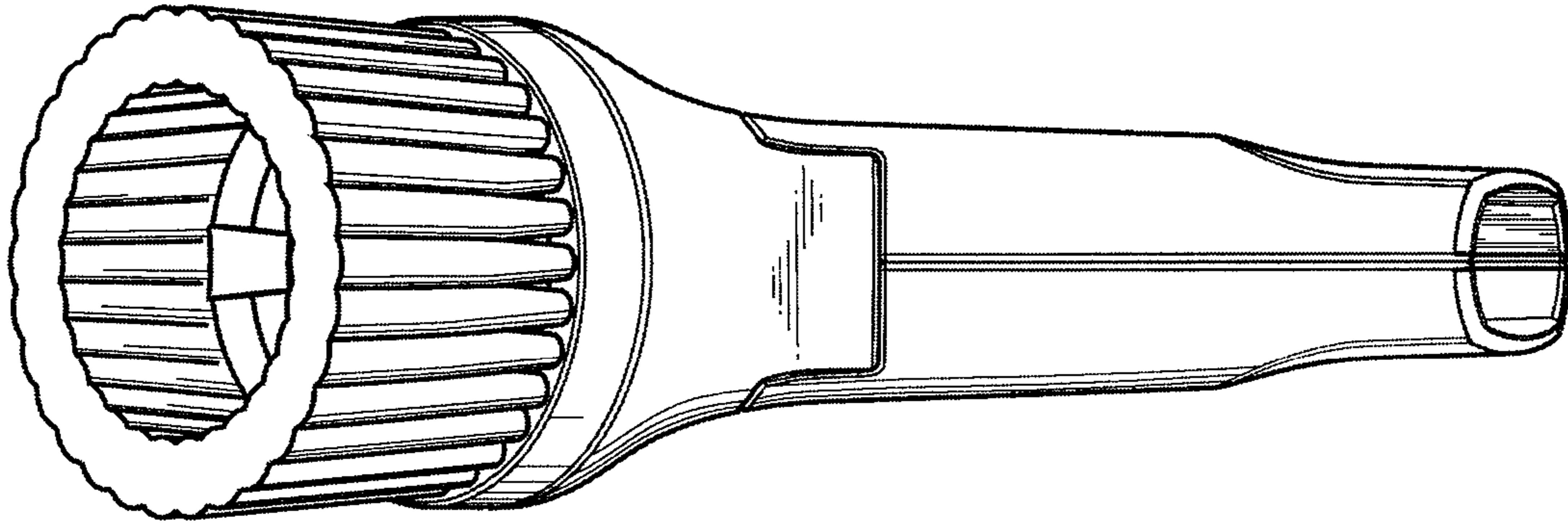
*Figure 8*



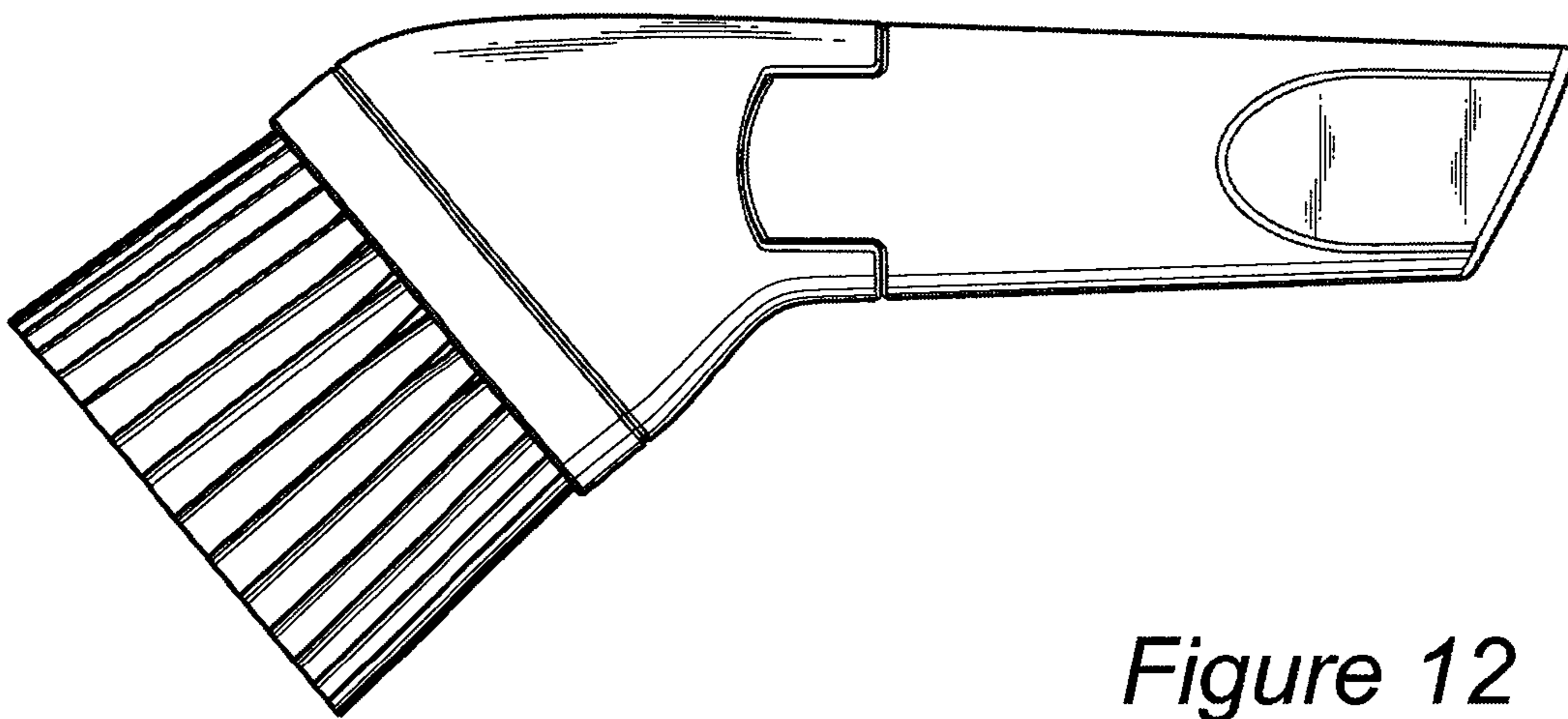
*Figure 9*



*Figure 10*

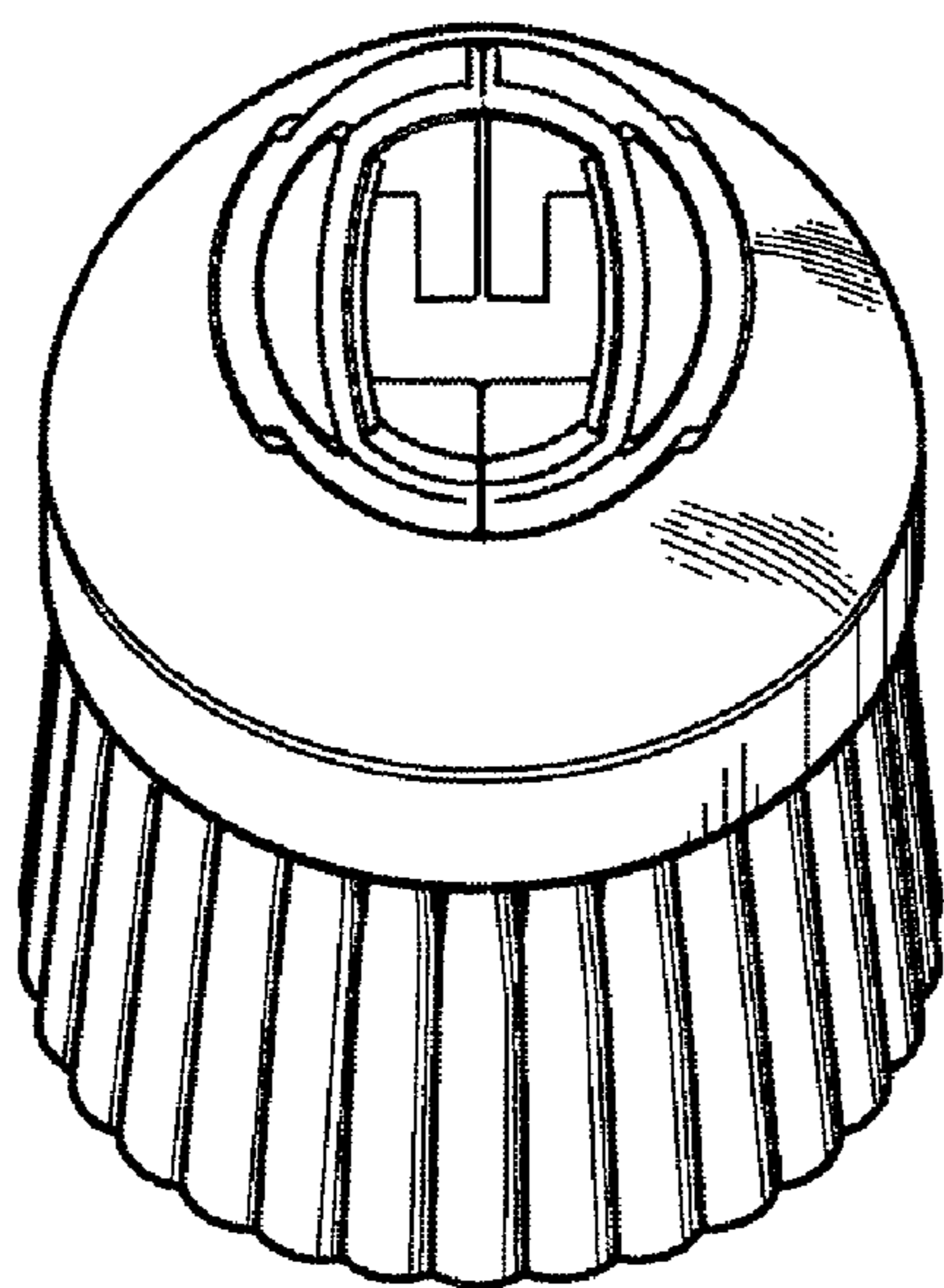


*Figure 11*

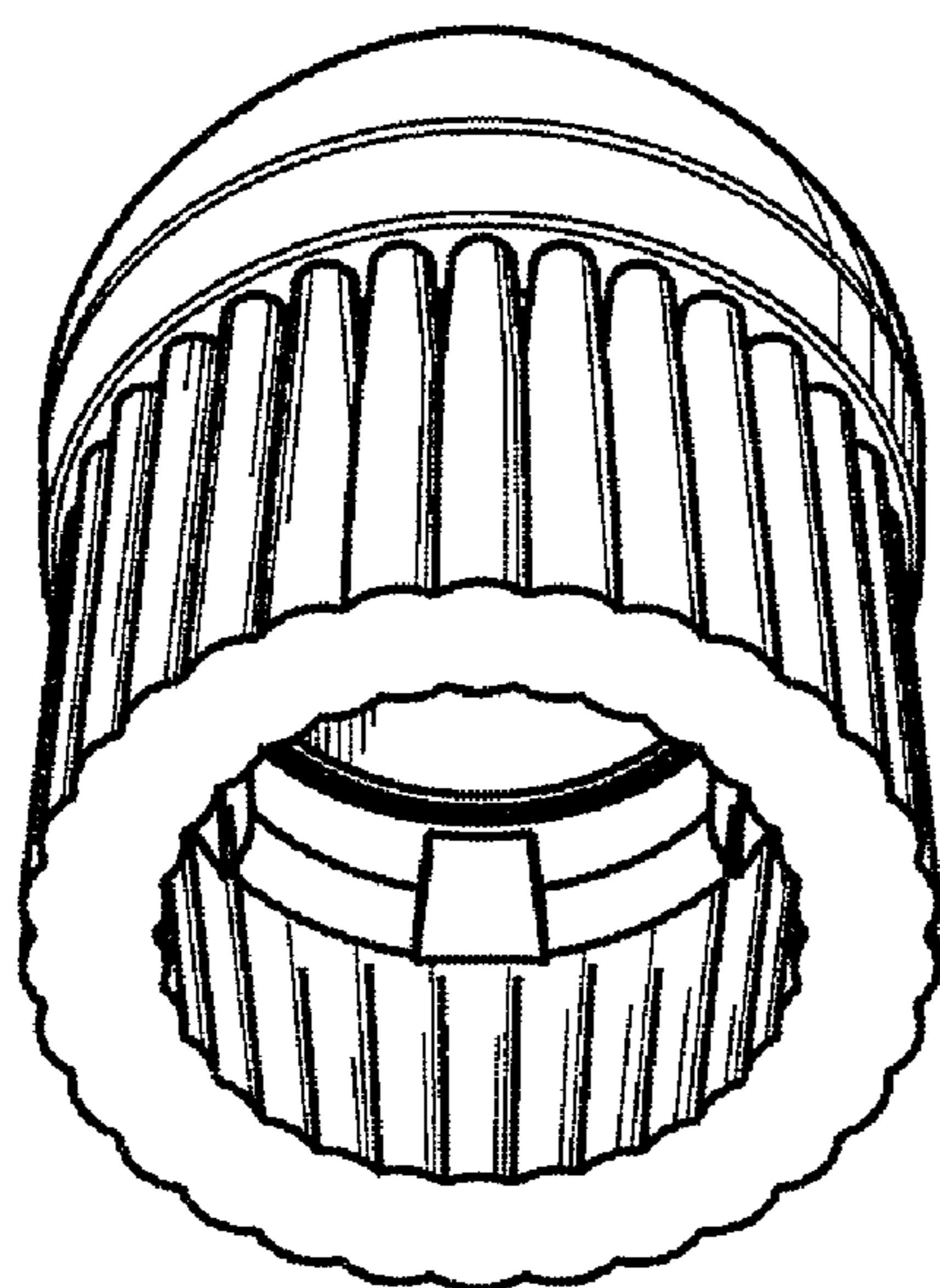


*Figure 12*





*Figure 13*



*Figure 14*