



US00D603569S

(12) **United States Design Patent**
Stratford

(10) **Patent No.:** **US D603,569 S**

(45) **Date of Patent:** **** Nov. 3, 2009**

(54) **CLEANING HEAD ATTACHMENT FOR A VACUUM CLEANER**

(75) Inventor: **Mark Stratford**, Durham (GB)

(73) Assignee: **Black & Decker Inc.**, Newark, DE (US)

(**) Term: **14 Years**

(21) Appl. No.: **29/310,392**

(22) Filed: **Aug. 13, 2008**

(30) **Foreign Application Priority Data**

Mar. 14, 2008 (EM) 000897764

(51) **LOC (9) Cl.** **15-05**

(52) **U.S. Cl.** **D32/32**

(58) **Field of Classification Search** D32/22,
D32/31-33, 38; 15/349, 329, 338, 363, 366,
15/375, 378, 394, 399, 400, 246.2, 327.1,
15/327.6-327.7, 334, 415.1-422, 422.1,
15/412, 414, 393, 398, 350, 353-359; 55/DIG. 3
See application file for complete search history.

(56) **References Cited**

U.S. PATENT DOCUMENTS

D508,154 S * 8/2005 Carr D32/32

D520,694 S * 5/2006 Choi D32/32
D520,695 S * 5/2006 Dyson et al. D32/33
D585,167 S * 1/2009 Wishney D32/32
2006/0042043 A1 * 3/2006 Kim 15/412
2007/0256273 A1 * 11/2007 Coleman 15/387

* cited by examiner

Primary Examiner—Ruth McInroy

(74) *Attorney, Agent, or Firm*—John Yun; Bruce S. Shapiro;
Wesley Muller

(57) **CLAIM**

The ornamental design for a cleaning head attachment for a vacuum cleaner, as shown and described.

DESCRIPTION

FIG. 1 is a perspective view of a cleaning head attachment for a vacuum cleaner showing my new design.

FIG. 2 is a left side view thereof.

FIG. 3 is a right side view thereof.

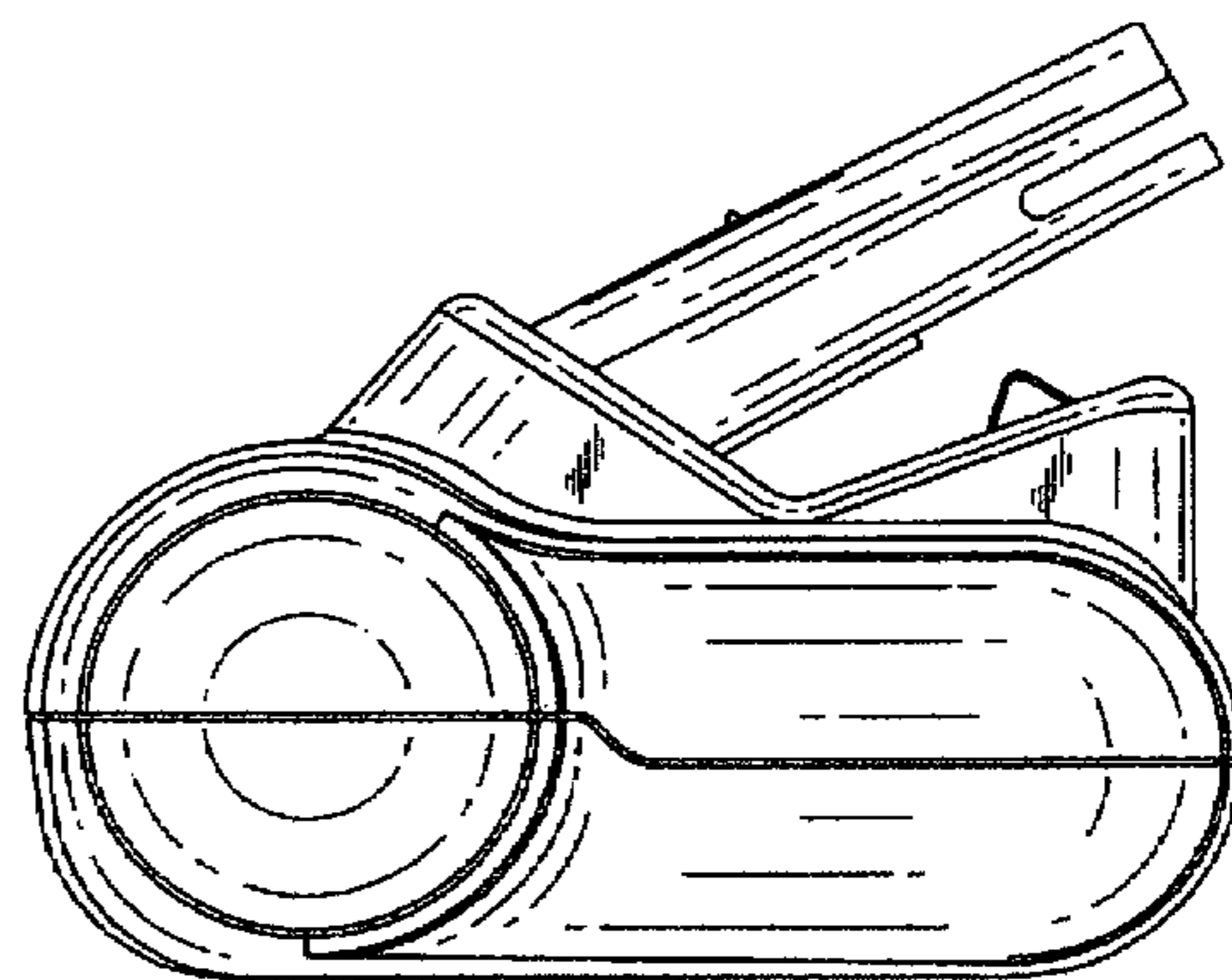
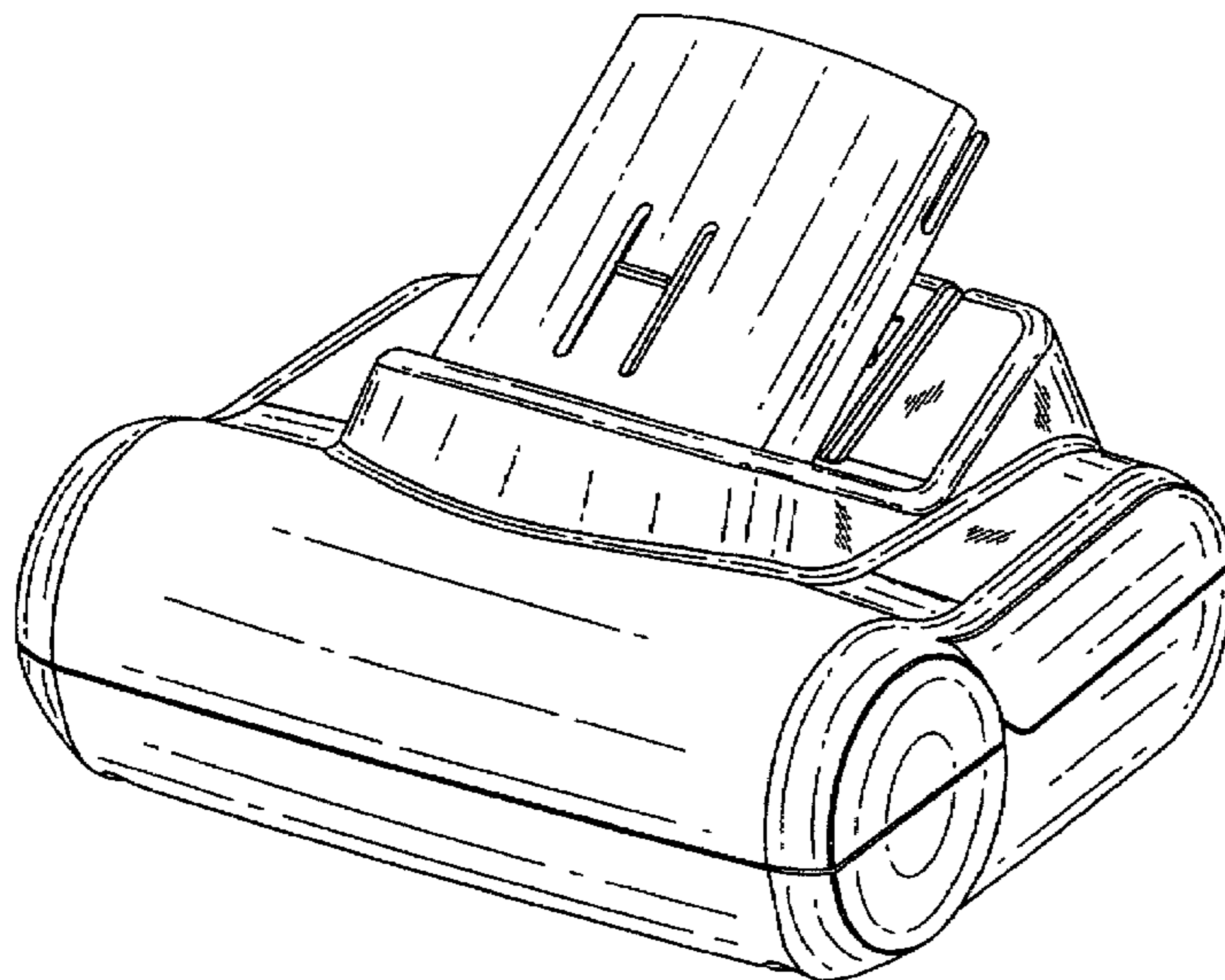
FIG. 4 is a front view thereof.

FIG. 5 is a rear view thereof.

FIG. 6 is a top view thereof; and,

FIG. 7 is a bottom view thereof.

1 Claim, 5 Drawing Sheets



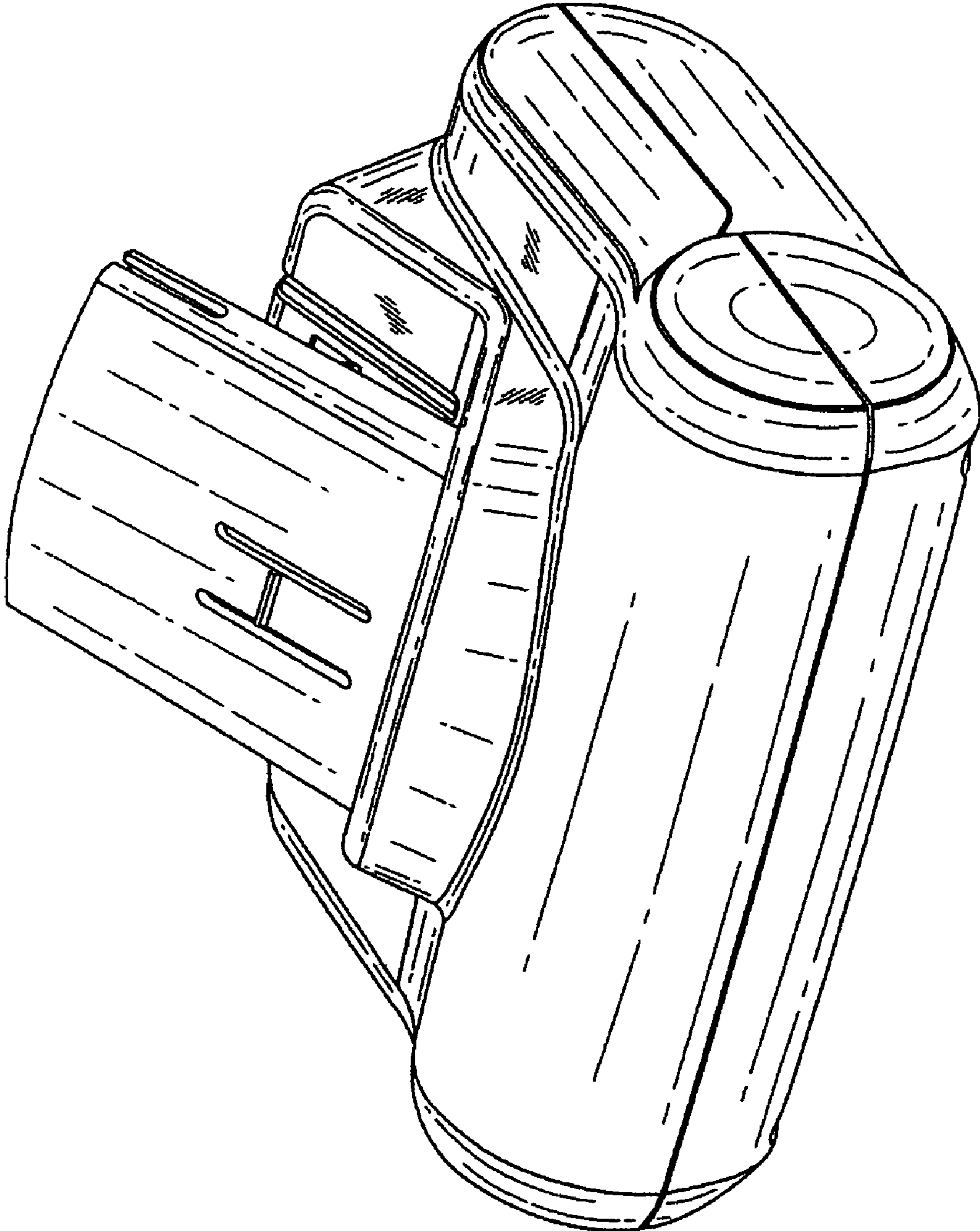


FIG.1

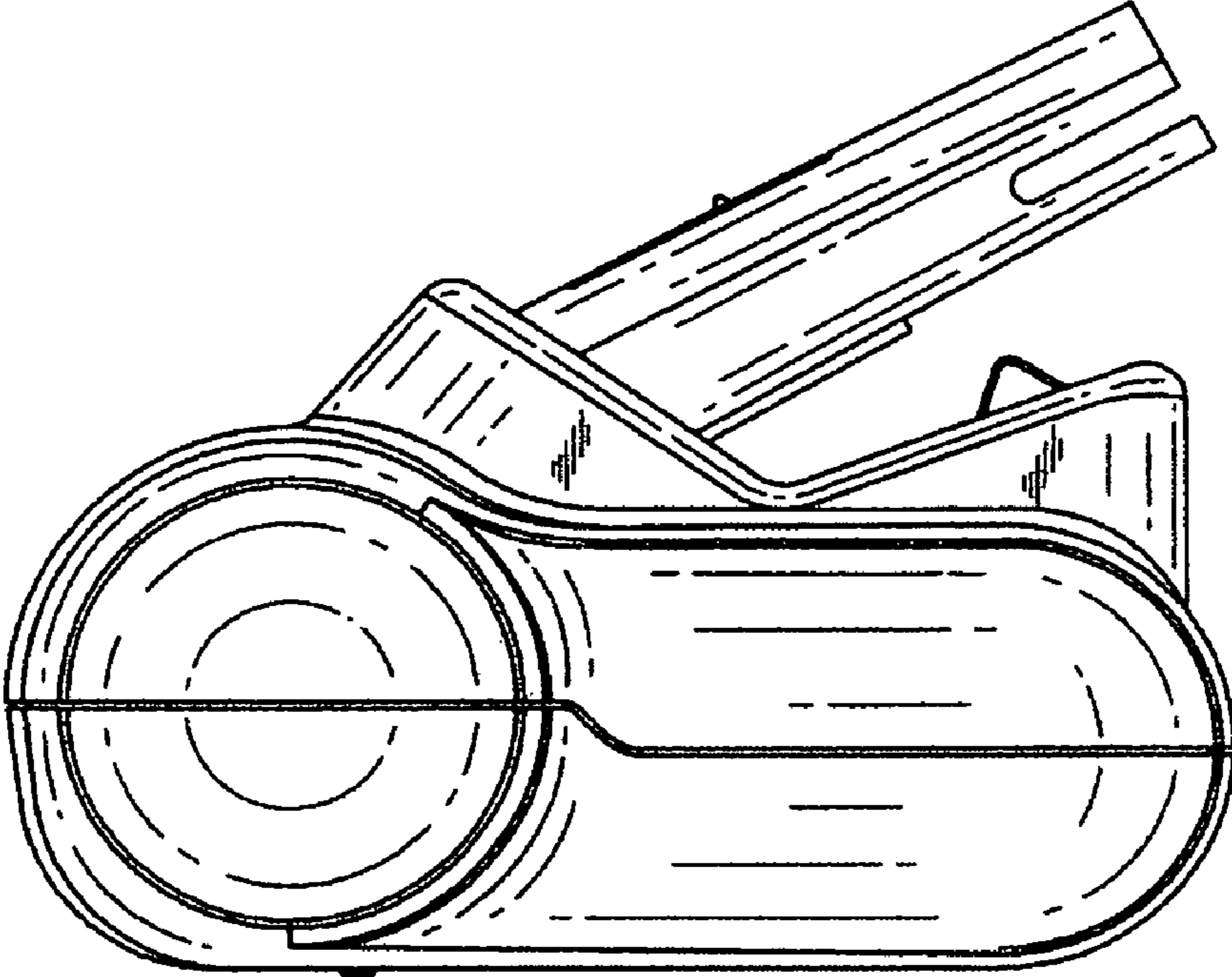


FIG. 2

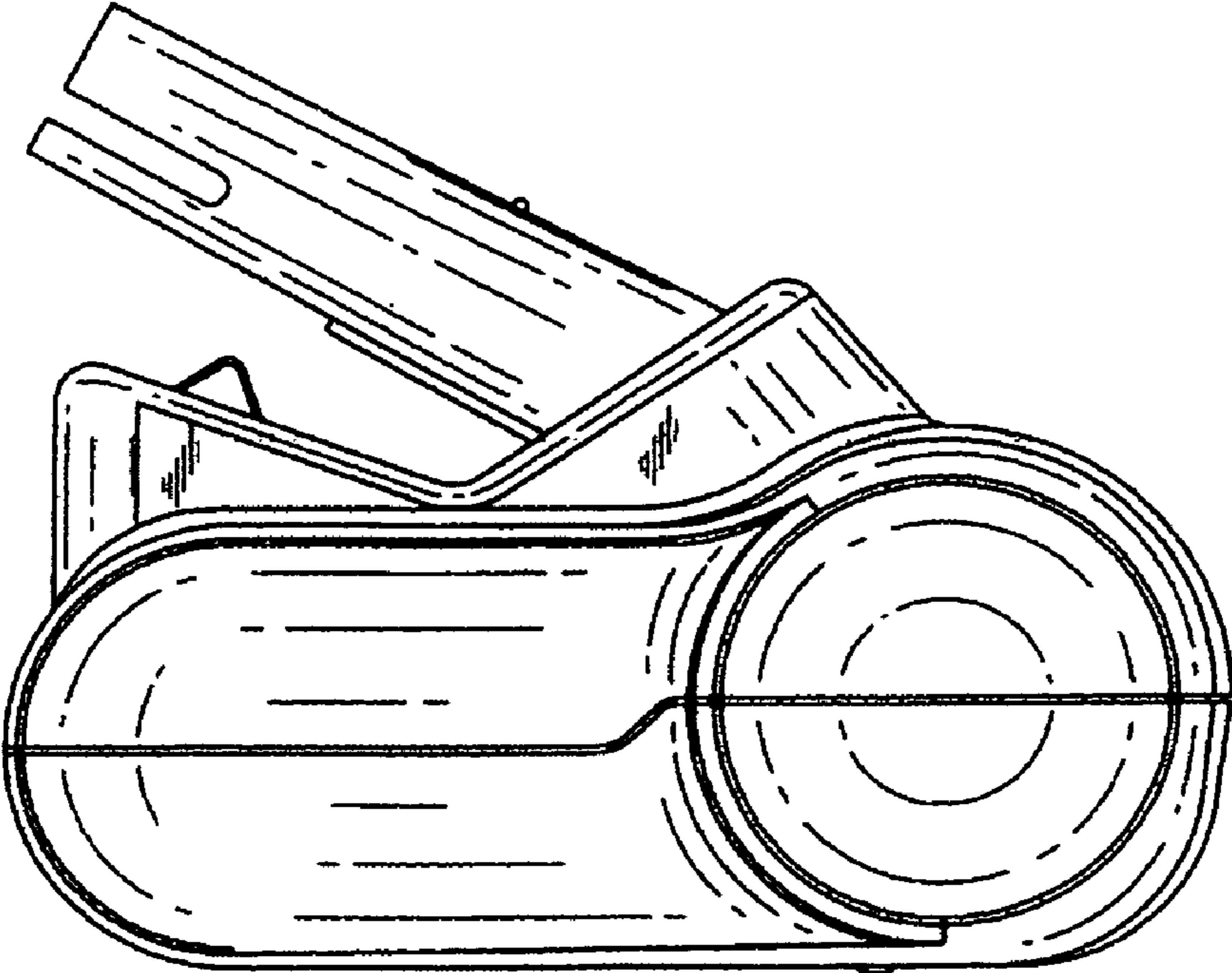


FIG. 3

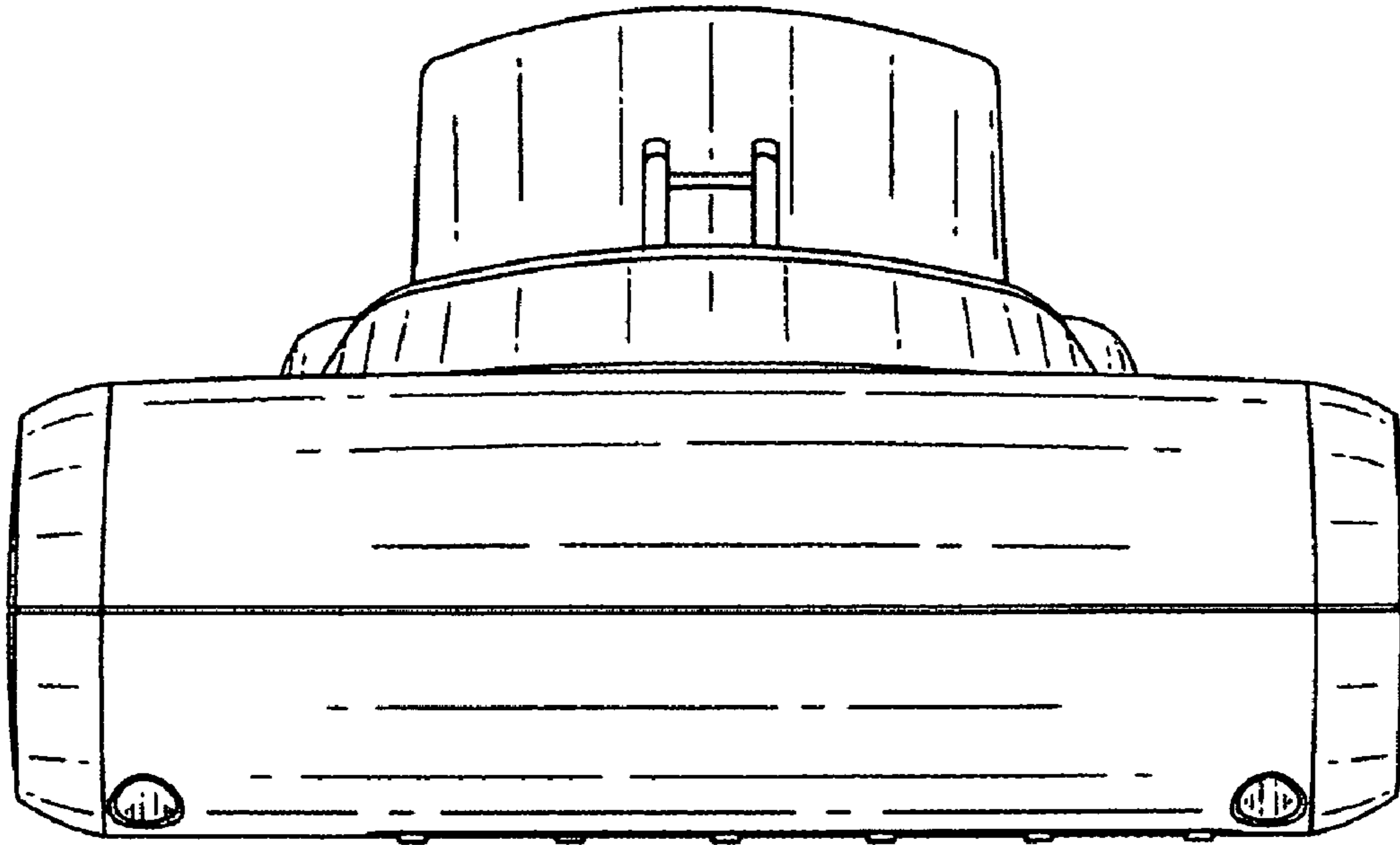


FIG. 4

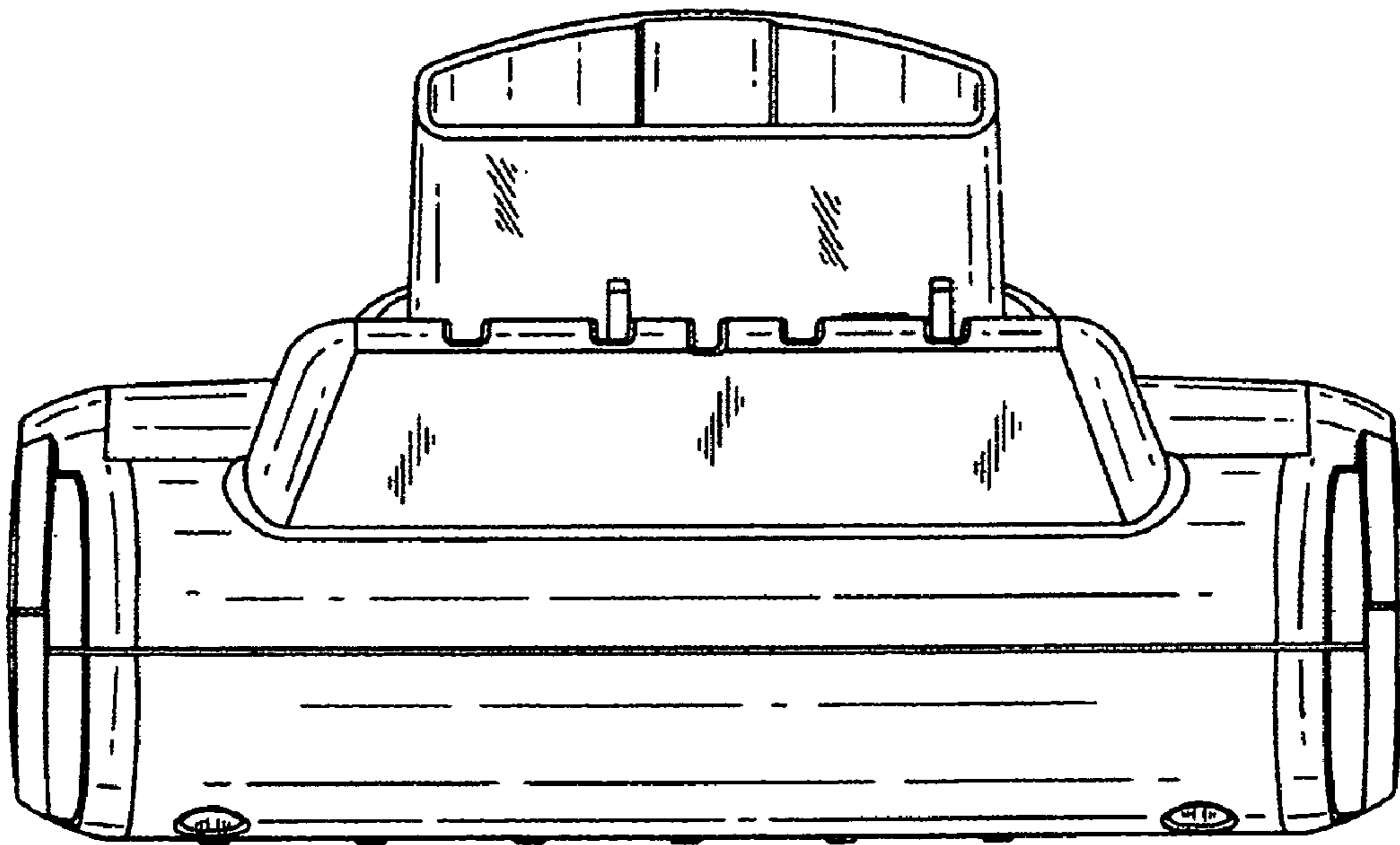


FIG. 5

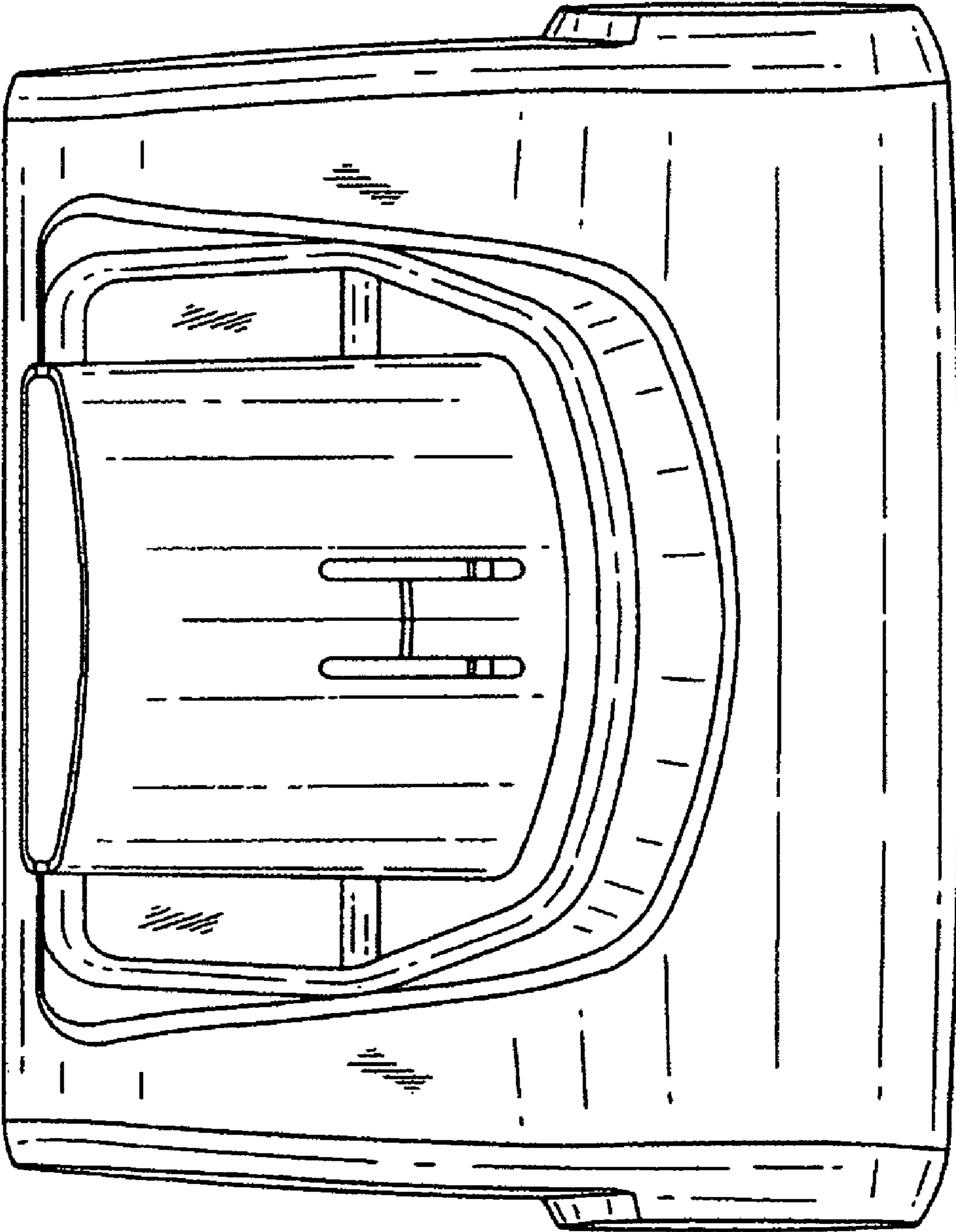


FIG.6

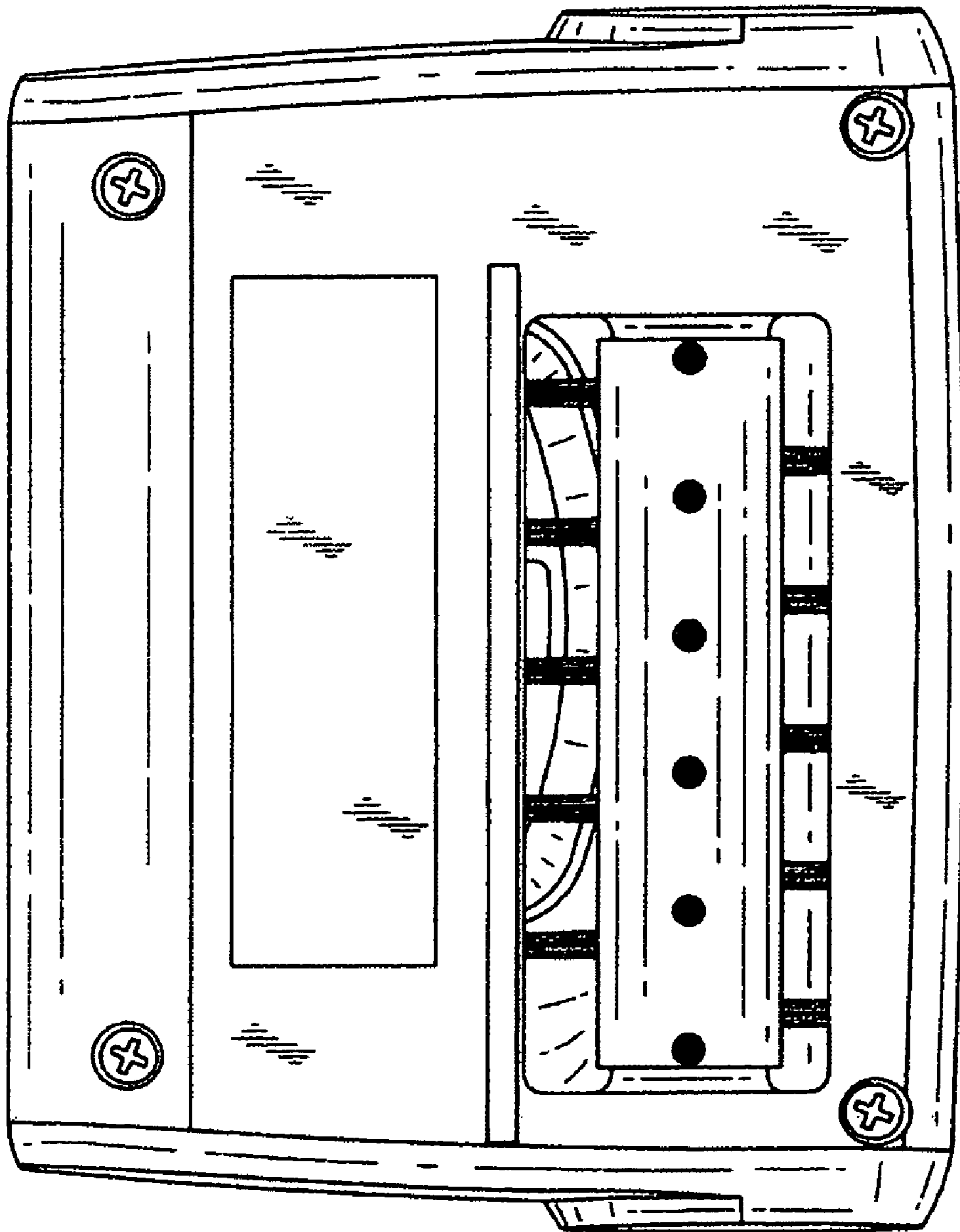


FIG.7