



US00D603567S

(12) **United States Design Patent**  
**Chen et al.**

(10) **Patent No.:** **US D603,567 S**

(45) **Date of Patent:** **\*\* Nov. 3, 2009**

(54) **HUMMINGBIRD FEEDER**

(75) Inventors: **David W. Chen**, Lewis Center, OH (US);  
**Leighton L. Chen**, Lewis Center, OH  
(US)

(73) Assignee: **Amerihua International Enterprises  
Inc.**, Lewis Center, OH (US)

(\*\*) Term: **14 Years**

(21) Appl. No.: **29/322,279**

(22) Filed: **Jul. 31, 2008**

(51) **LOC (9) Cl.** ..... **30-03**

(52) **U.S. Cl.** ..... **D30/124**

(58) **Field of Classification Search** ..... D30/121,  
D30/124-128, 110, 115, 117, 119; 119/51.01,  
119/57.8, 53, 428, 429, 469

See application file for complete search history.

(56) **References Cited**

**U.S. PATENT DOCUMENTS**

1,239,151	A *	9/1917	Woods	119/464
D81,960	S *	9/1930	Dickson	D30/124
D165,628	S *	1/1952	Blazier	D30/128
3,177,849	A *	4/1965	Isenberg	119/435
3,648,661	A *	3/1972	Moore	119/53
D228,769	S *	10/1973	Bower	D30/128
3,780,703	A *	12/1973	Boehland, Jr.	119/53
3,822,674	A *	7/1974	Tobin	119/53
D333,538	S *	2/1993	Kingsley	D30/199
D356,422	S *	3/1995	Parker	D99/5
5,507,249	A *	4/1996	Shaw	119/72
5,682,835	A *	11/1997	Walter et al.	119/57.8
5,947,054	A *	9/1999	Liethen	119/57.9
D438,360	S *	2/2001	Robinson	D99/5
D440,732	S *	4/2001	Robinson	D99/5
D454,242	S *	3/2002	Dziekonski	D99/5
D454,669	S *	3/2002	Lieb	D30/125
D479,380	S *	9/2003	Robinson	D99/5

D521,689	S *	5/2006	Lombard	D30/124
D566,344	S *	4/2008	Schatz	D30/124
7,448,346	B1 *	11/2008	Stone et al.	119/52.3
7,448,347	B2 *	11/2008	Richmond	119/72
2006/0124067	A1 *	6/2006	Taylor	119/72
2007/0289540	A1 *	12/2007	Stone et al.	119/72
2008/0102197	A1 *	5/2008	Chen et al.	427/157
2009/0078211	A1 *	3/2009	Charlton	119/77

**OTHER PUBLICATIONS**

Outdoor Seasons Catalogue, Oct. 2006, p. 3 Model "No. 216 Clear Plastic Feeder" 16oz. capacity. (1 page).\*

Duncraft Catalogue, Apr. 2007, p. 50, Model item 0407 "Fliteline Oriole Feeder" (1 page).\*

\* cited by examiner

*Primary Examiner*—Susan Moon Lee

(74) *Attorney, Agent, or Firm*—Standley Law Group LLP

(57) **CLAIM**

We claim the ornamental design for a hummingbird feeder, as shown and described.

**DESCRIPTION**

FIG. 1 is a top perspective view of a hummingbird feeder according to the first embodiment of the present design with a flower shaped feeder port displayed in one of the three access holes;

FIG. 2 is a top plan view of the FIG. 1 embodiment;

FIG. 3 is a front elevation view of the FIG. 1 embodiment;

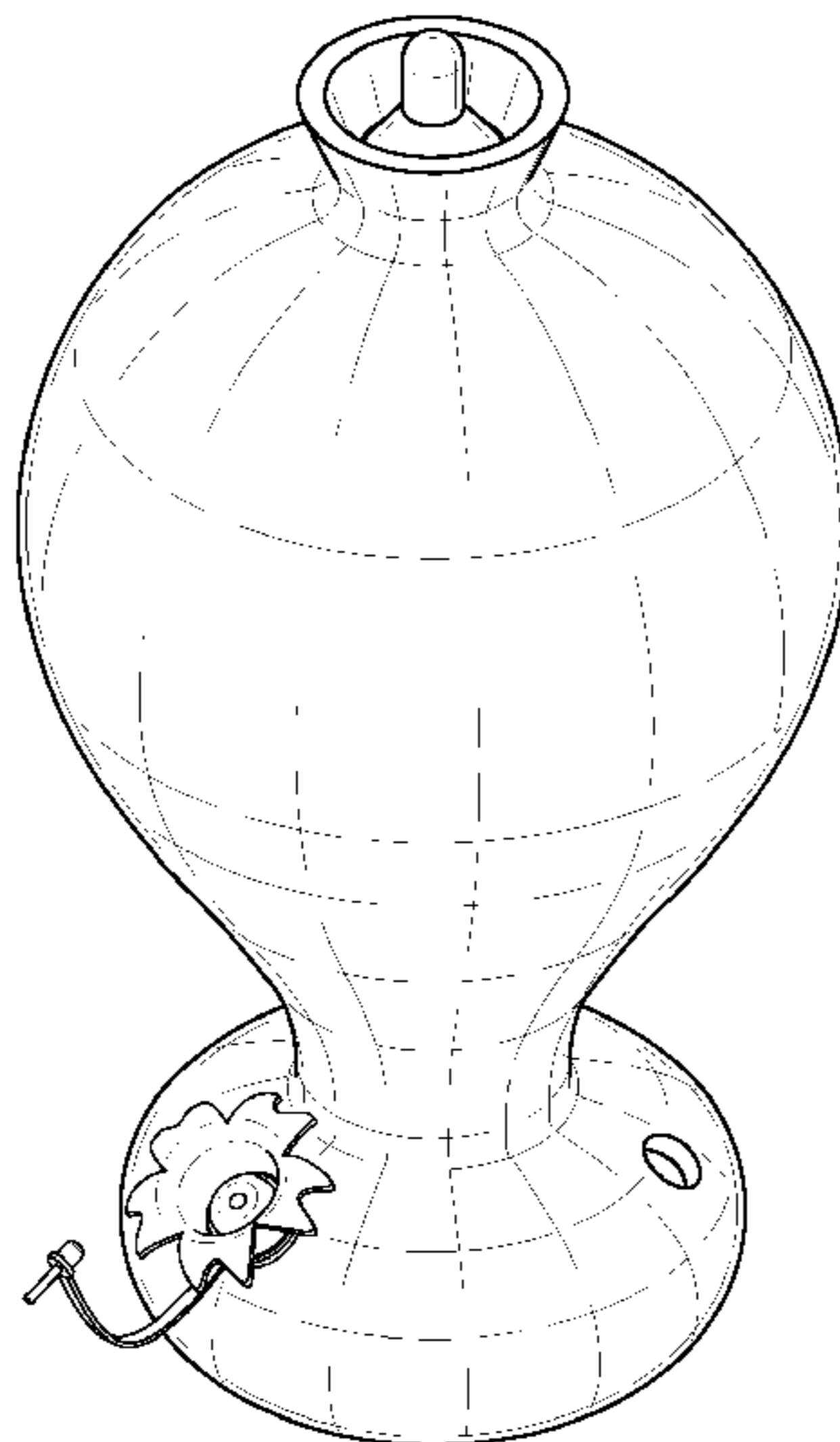
FIG. 4 is a left elevation view elevation view of the FIG. 1 embodiment; the right elevation view being a mirror image thereof;

FIG. 5 is a rear elevation view of the FIG. 1 embodiment;

FIG. 6 is a bottom plan view of the FIG. 1 embodiment; and,

FIG. 7 is a sectional view taken along Line 7—7 of FIG. 3.

**1 Claim, 3 Drawing Sheets**



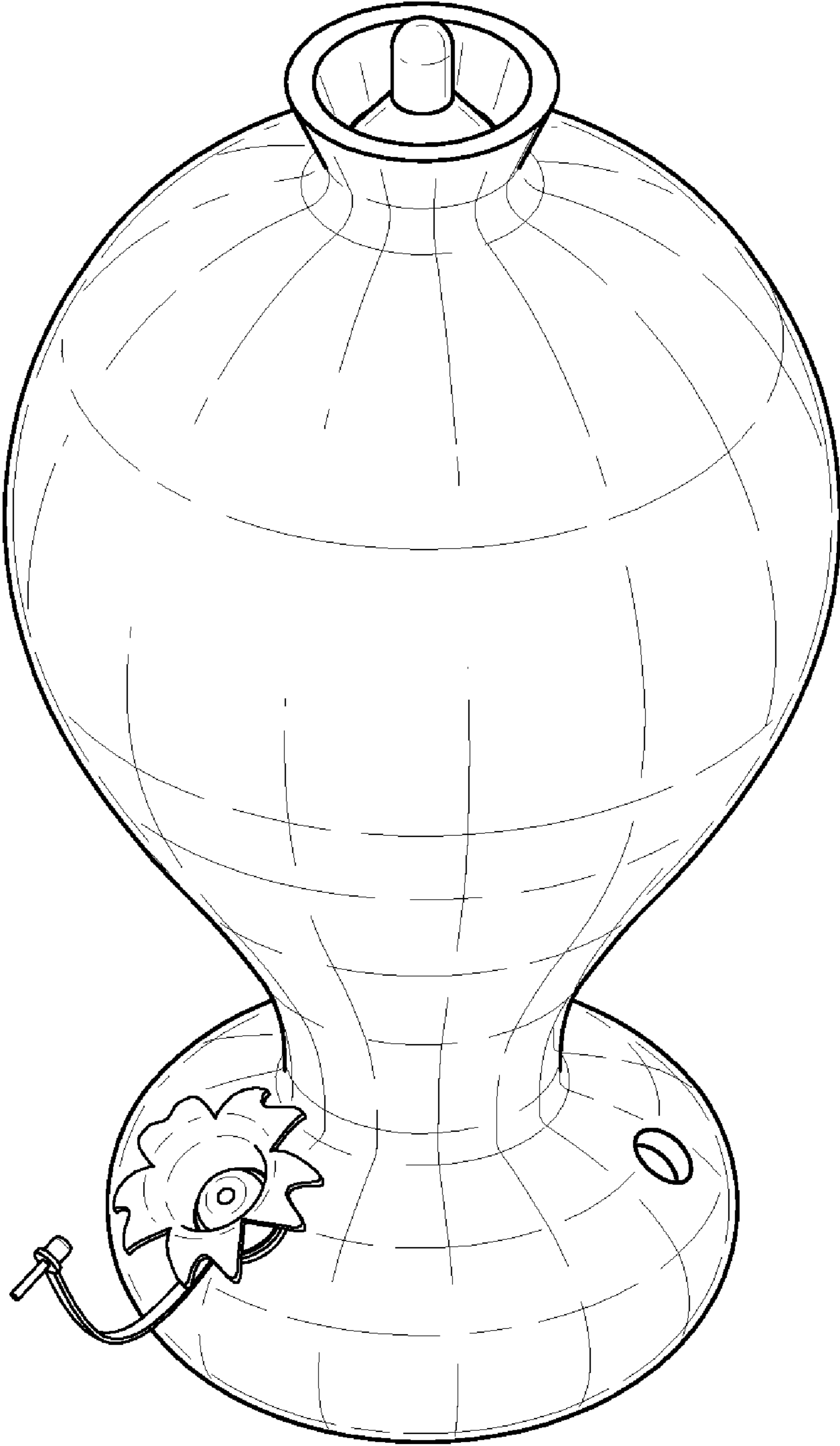


FIG-1

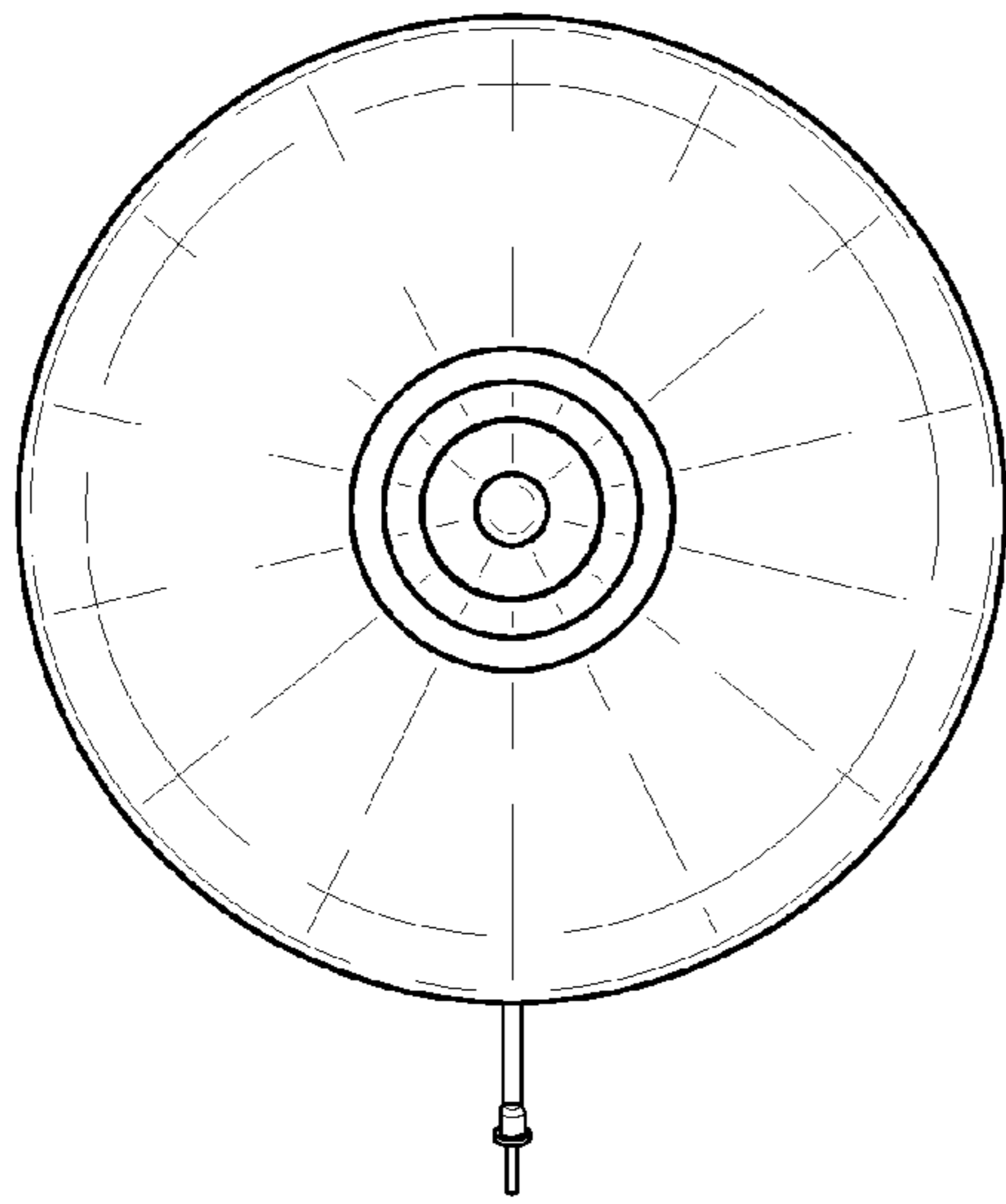


FIG-2

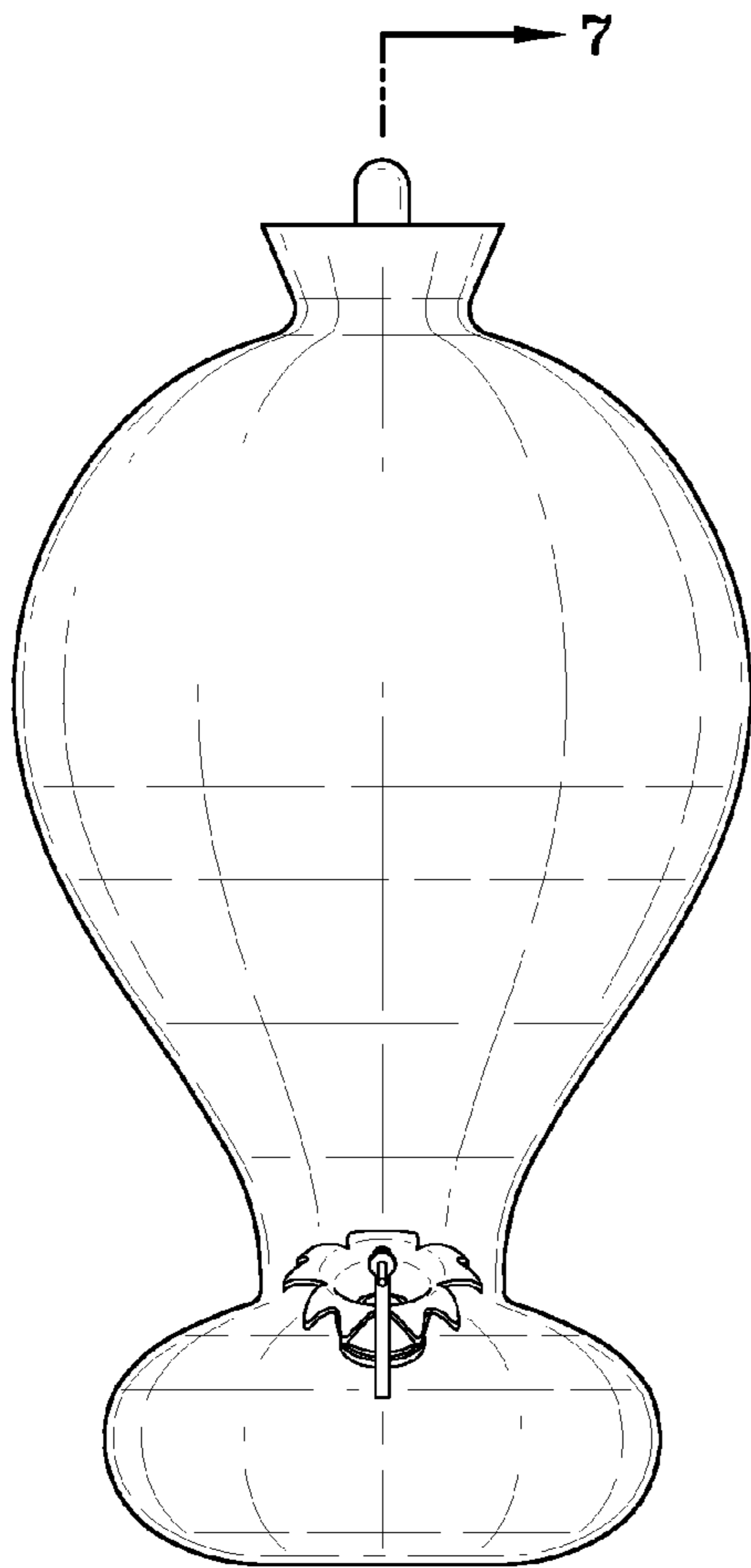


FIG-3

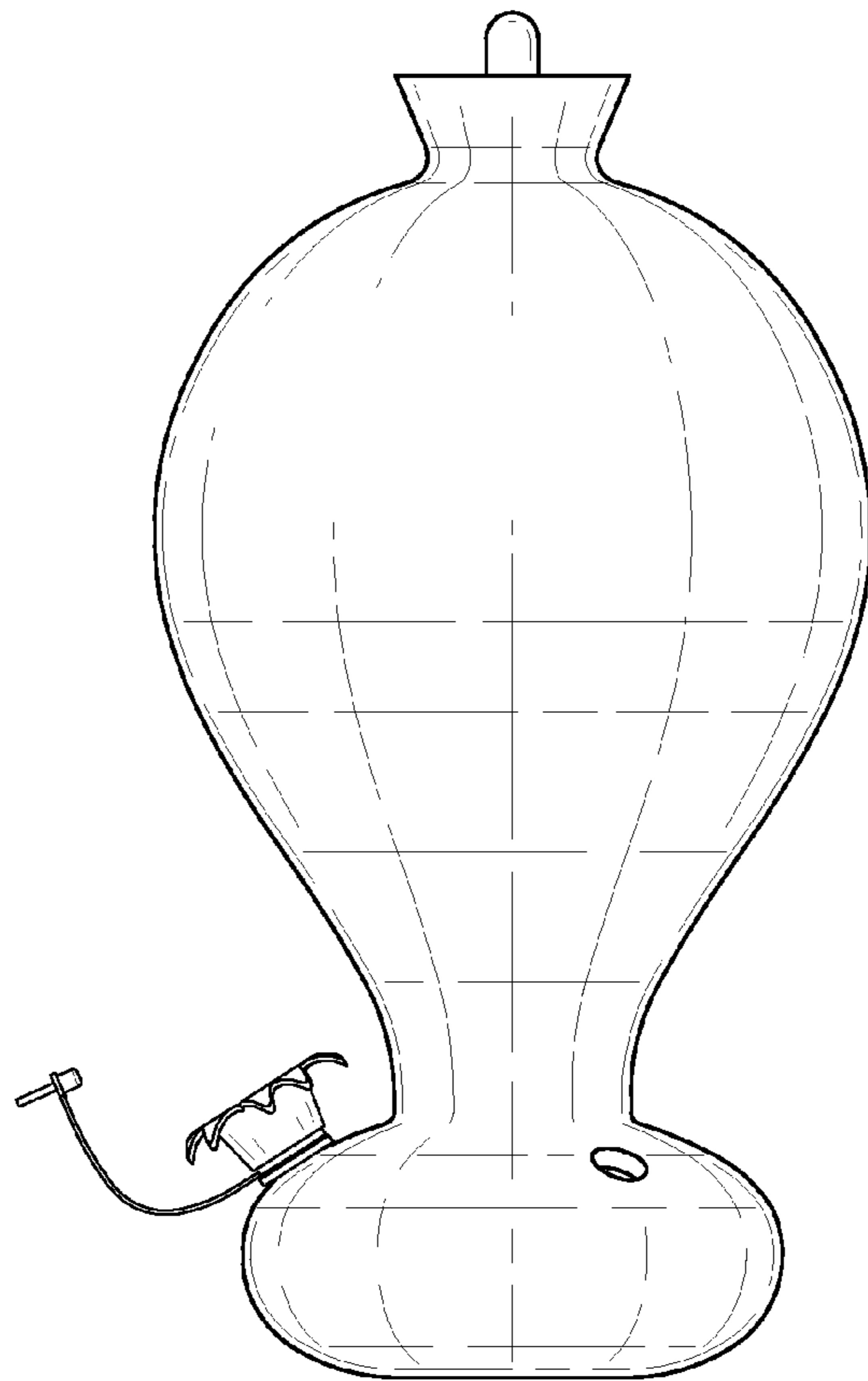


FIG-4

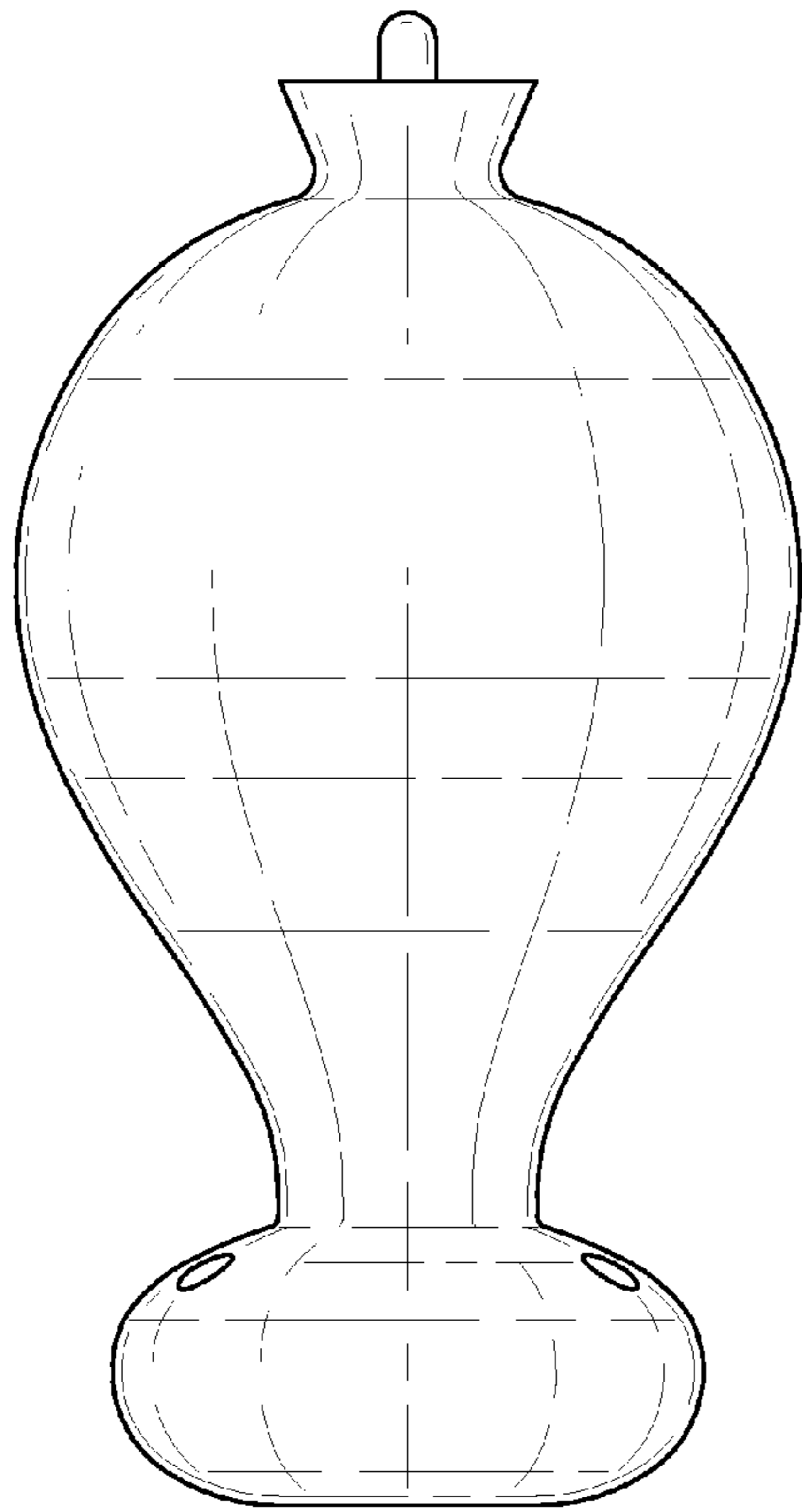


FIG-5

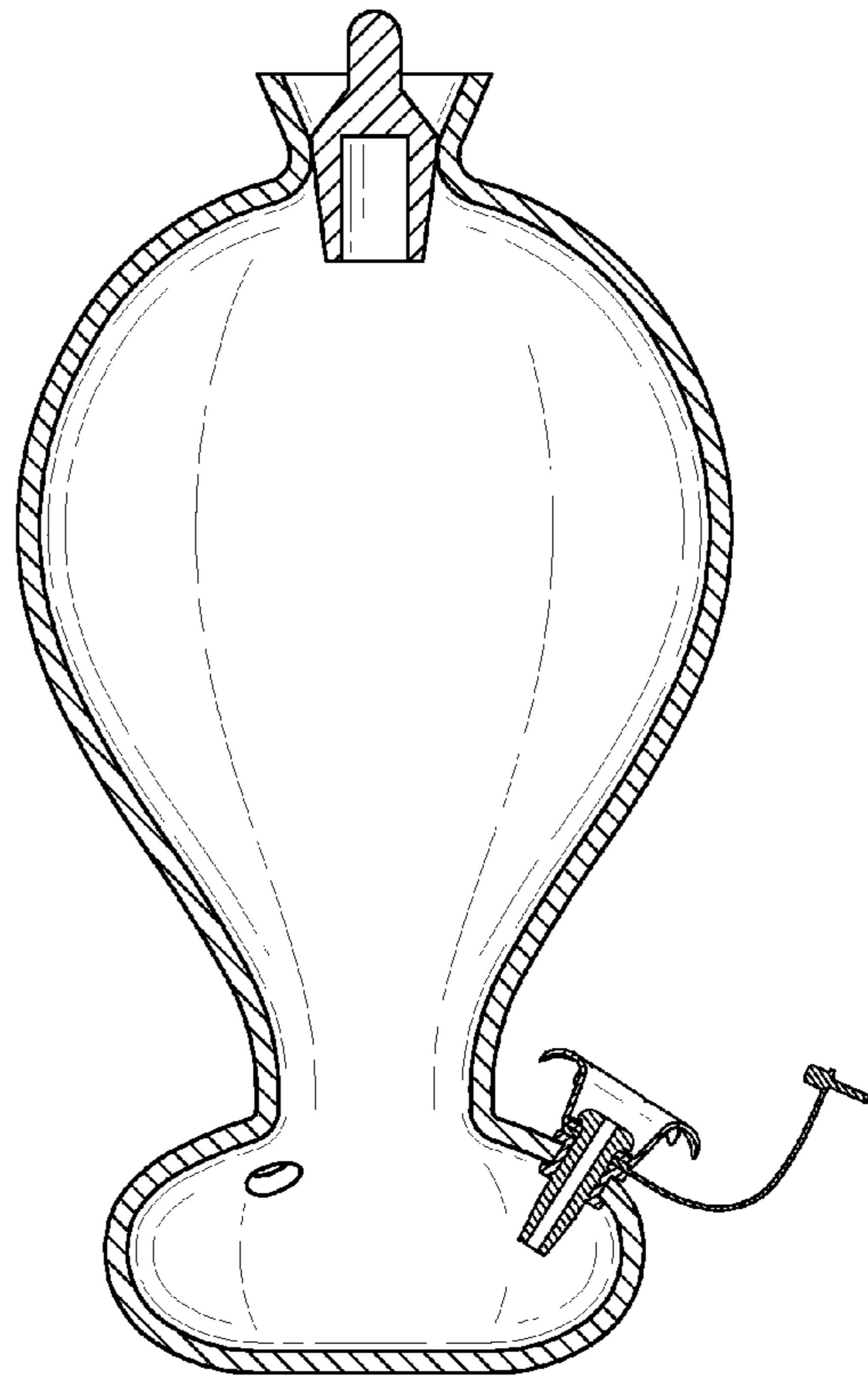


FIG-7

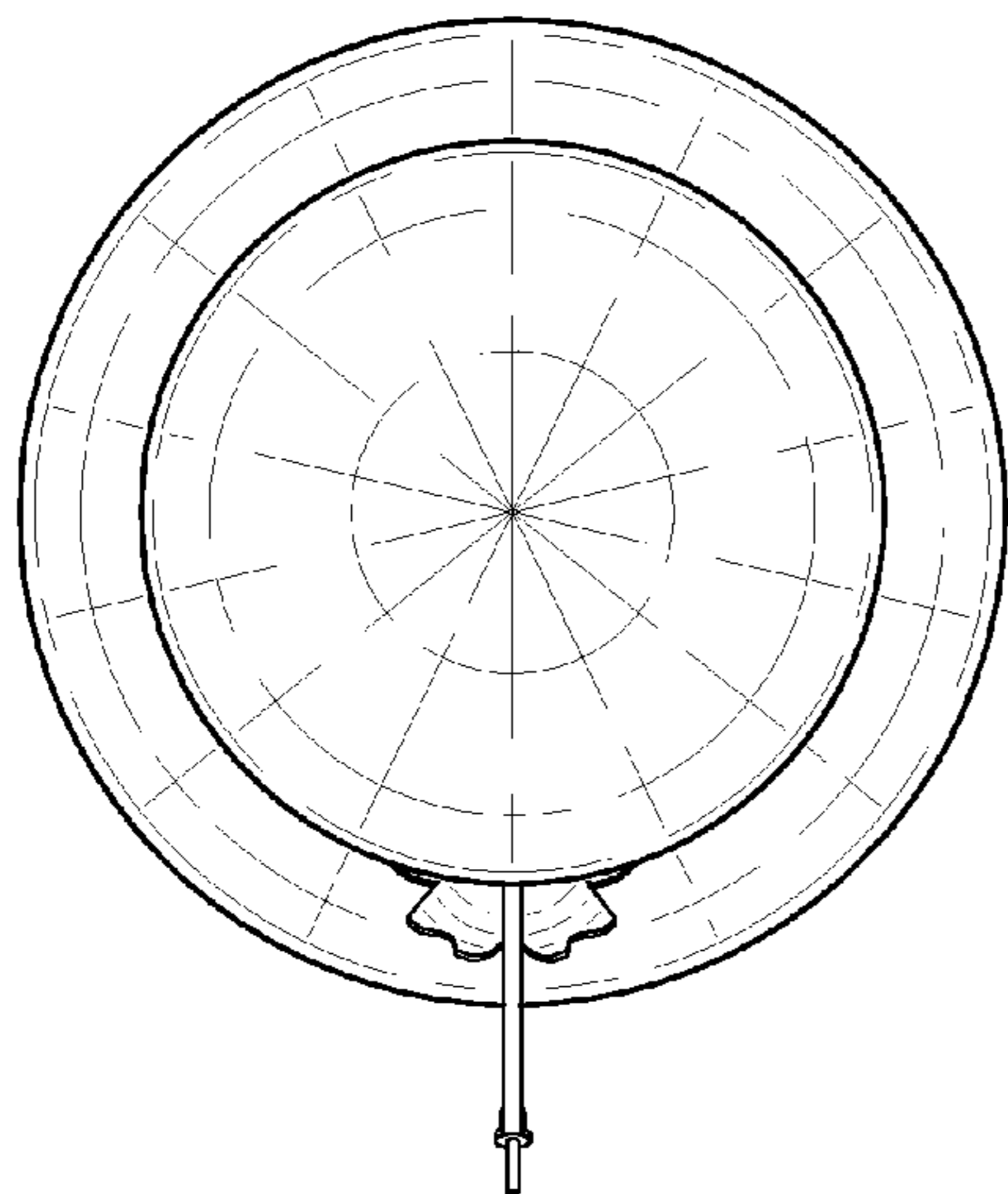


FIG-6