



US00D603566S

(12) **United States Design Patent**  
**Meritt**

(10) **Patent No.:** **US D603,566 S**  
(45) **Date of Patent:** **\*\* Nov. 3, 2009**

(54) **BREEDING PEN FEEDER**

- (75) Inventor: **Rick Meritt**, Gilmer, TX (US)
- (73) Assignee: **Rick Meritt Investment, Ltd.**, Gilmer, TX (US)
- (\*\*) Term: **14 Years**
- (21) Appl. No.: **29/296,699**
- (22) Filed: **Oct. 25, 2007**

**Related U.S. Application Data**

- (63) Continuation of application No. 11/160,611, filed on Jun. 30, 2005, which is a continuation-in-part of application No. 09/920,231, filed on Aug. 1, 2001, now Pat. No. 6,920,841.

- (51) **LOC (9) Cl.** ..... **30-03**
- (52) **U.S. Cl.** ..... **D30/121**
- (58) **Field of Classification Search** ..... D30/133, D30/121, 122, 124, 127, 128, 132; 119/51.01, 119/61, 51.04, 53, 57.91, 54, 53.5, 52.4, 119/51.11, 63, 61.2, 52.1, 57.5, 57.6, 51.13, 119/62, 75, 500, 501; 239/7, 687, 379, 397.5; 222/199, 181.1, 181.2, 185.1, 557, 156, 485, 222/486, 548, 555; 220/200, 227, 247, 262; 221/174, 185.1, 289, 295, 296, 559; 454/35; 209/270, 283, 244; 52/194, 192; 49/279, 49/344, 357; D34/28

See application file for complete search history.

(56) **References Cited**

**U.S. PATENT DOCUMENTS**

485,142 A	10/1892	Stephens	
1,214,881 A	2/1917	Bemtzen	239/66
1,355,399 A	10/1920	Kelley	119/57.91
2,454,721 A	11/1948	Severance et al.	119/52
2,619,252 A	11/1952	De Hoffmann	220/26
2,638,871 A	5/1953	Ruedemann	119/53
2,654,346 A	10/1953	Goff	119/81

(Continued)

**FOREIGN PATENT DOCUMENTS**

GB 2129266 A 5/1984

**OTHER PUBLICATIONS**

Advertisement (Mumme's Inc.) (1 page), Texas Deer Association Tracks, vol. 6, Issue 3 (May/Jun. 2005), p. 51.

(Continued)

*Primary Examiner*—Susan Moon Lee

(74) *Attorney, Agent, or Firm*—Gardere Wynne Sewell, LLP

(57) **CLAIM**

The ornamental design for a breeding pen feeder, as shown and described.

**DESCRIPTION**

FIG. 1 is a perspective view of one preferred embodiment of a breeding pen feeder according to my new design;

FIG. 2 is a right side elevation view of the breeding pen feeder shown in FIG. 1;

FIG. 3 is a left side elevation view of the breeding pen feeder shown in FIG. 1;

FIG. 4 is a front elevation view of the breeding pen feeder shown in FIG. 1;

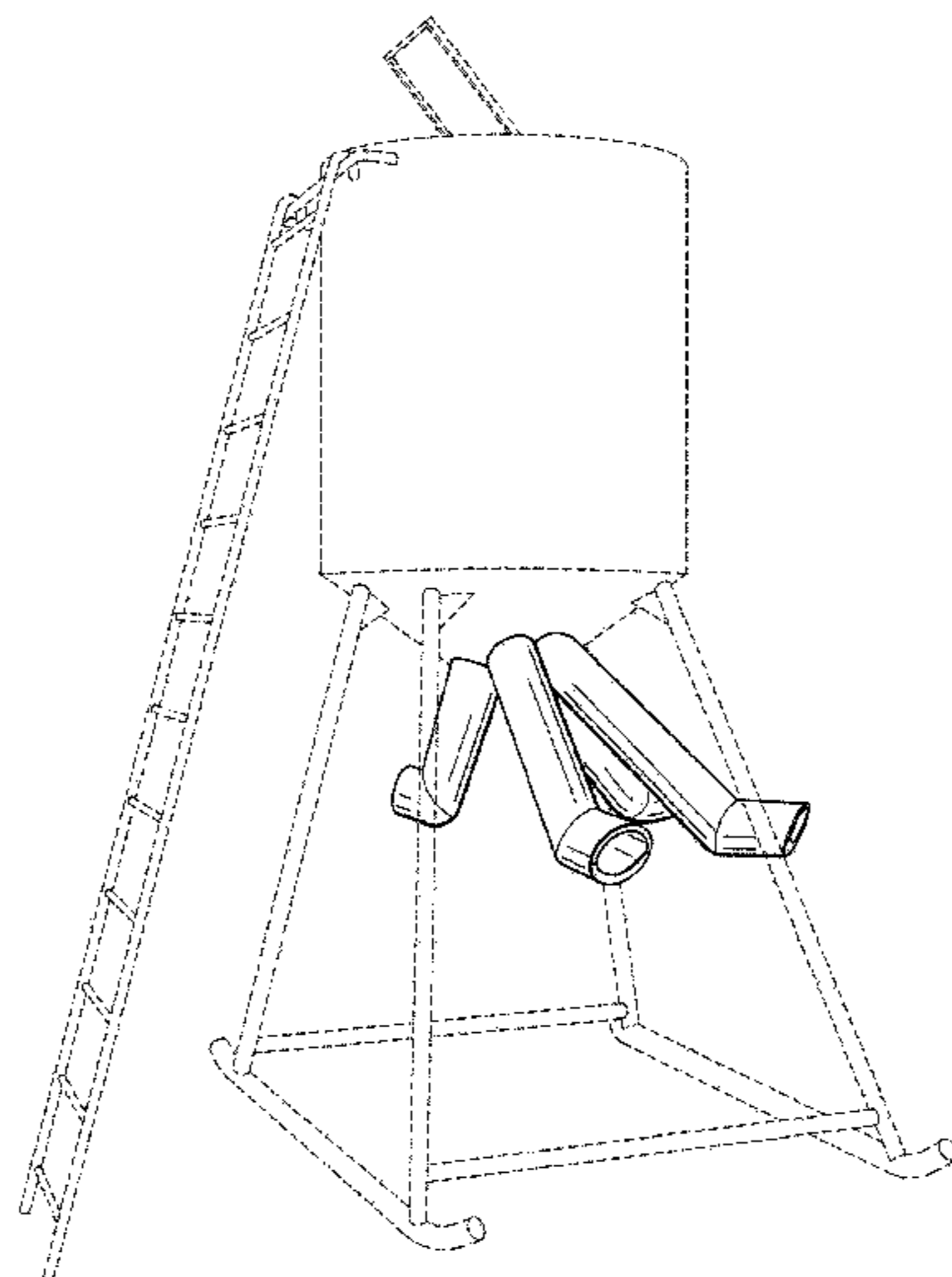
FIG. 5 is a rear elevation view of the breeding pen feeder shown in FIG. 1;

FIG. 6 is a top plan view of the breeding pen feeder shown in FIG. 1; and,

FIG. 7 is a bottom plan view of the breeding pen feeder shown in FIG. 1.

The broken line showing on the top of the feeder represents the unclaimed top surface and the unclaimed edge where that top surface and the side surface of the feeder container meet. All broken line matter shown in the drawings is not claimed.

**1 Claim, 7 Drawing Sheets**



U.S. PATENT DOCUMENTS

2,808,029	A	10/1957	Geerling .....	119/53.5
2,886,002	A	5/1959	O'Malley et al. ....	119/77
2,988,047	A	6/1961	Hurdle .....	119/52
3,034,480	A	5/1962	French .....	119/56
D194,594	S	2/1963	Juculano .....	D15/8
3,515,098	A *	6/1970	Thurmond .....	119/51.01
3,730,142	A	5/1973	Kahrs et al. ....	119/54
3,780,701	A	12/1973	Wentworth, Sr. ....	119/51 R
4,328,880	A	5/1982	Lapeyre .....	182/93
4,337,728	A *	7/1982	Van Gilst et al. ....	119/57.4
4,538,548	A *	9/1985	Page .....	119/52.1
4,580,528	A	4/1986	Kendall .....	119/53
4,601,414	A	7/1986	Lawson .....	222/564
4,719,875	A *	1/1988	Van Gilst .....	119/53.5
D295,091	S *	4/1988	Swartzendruber .....	D30/132
4,815,621	A	3/1989	Bartis .....	220/1 B
4,986,220	A *	1/1991	Reneau et al. ....	119/57.91
5,069,164	A	12/1991	Wiwi .....	119/53
5,086,730	A	2/1992	Figley .....	119/52.3
5,195,459	A	3/1993	Ancketill .....	119/57.9
5,218,784	A *	6/1993	Pollock .....	49/279
5,275,131	A	1/1994	Brake et al. ....	119/63
5,339,996	A	8/1994	Dubbert et al. ....	222/185
5,435,267	A	7/1995	Patterson .....	119/52.4
5,503,090	A	4/1996	Guzan .....	111/7.2
D371,228	S	6/1996	Monin .....	D30/121
5,570,547	A *	11/1996	Webb et al. ....	52/194
5,740,757	A	4/1998	Smeester .....	119/51.02
D397,527	S	8/1998	Bruder et al. ....	D30/121
5,794,561	A	8/1998	Schulz .....	119/52.1
5,862,777	A *	1/1999	Sweeney .....	119/57.91
5,901,886	A *	5/1999	Grindstaff et al. ....	222/557
5,906,174	A	5/1999	Muldoon .....	119/54
6,073,587	A	6/2000	Hill et al. ....	119/474
6,082,300	A *	7/2000	Futch .....	119/51.11
6,199,509	B1	3/2001	Mostyn et al. ....	119/51.01
6,510,813	B1	1/2003	Boone, Jr. ....	119/57.91
6,622,653	B1 *	9/2003	Starnes, Jr. ....	119/51.01
D486,946	S *	2/2004	Castro .....	D30/121
6,691,640	B1 *	2/2004	Huckabee .....	119/51.01
6,920,841	B2	7/2005	Meritt .....	119/51.01
7,302,912	B2 *	12/2007	Boyer .....	119/57.91
2005/0229860	A1	10/2005	Meritt .....	119/53
2005/0269367	A1	12/2005	Post .....	222/185.1

2006/0048712 A1 3/2006 Boyer ..... 119/57.91

OTHER PUBLICATIONS

Advertisement (Mumme's Inc.) (1 page), The Journal of the Texas Trophy Hunters Association, Jan./Feb. 2005, on reverse side of p. 74.  
 Advertisement (Sweeney Automated Feeding Systems) (2 pages, front and back) (date referenced Jan. 1-Feb. 28, 2005).  
 Internet web site (Atascosa Wildlife Supply) (2 pages); <http://www.atascosawildlifesupply.com/feeders.html> (Mar. 8, 2005).  
 Advertisement (Atascosa Wildlife Supply) (2 pages); The Journal of the Texas Trophy Hunters Association, May/Jun. 2005 (reverse sides of pp. 23 and 26).  
 Advertisement (Texas Wildlife Supply) (1 page), The Journal of the Texas Trophy Hunters Association, May/Jun. 2005 (reverse side of p. 174).  
 Internet web site (American Hunter Outdoor Products) (15 pages); <http://www.americanhunterfeeders.com> (Feb. 24, 2005).  
 Internet web site (Mumme's Inc.) (1 page); <http://www.mummesinc.com> (Feb. 24, 2005).  
 Internet web site (Boss Game Systems) (3 pages); <http://www.bossgamesystems.com> (Oct. 6, 2005).  
 Advertisement (American Hunter Outdoor Products) (1 page), The Journal of the Texas Trophy Hunters Association, May/Jun. 2005, on reverse side of p. 155.  
 "Introduction to Welding," Materials Engineering Group.; Copyright 1997 Materials Engineering (UK) Ltd.; <http://www.meg.co.uk/meg/app01.htm>.  
 "Welding," Microsoft Encarta Online Encyclopedia 2002; <http://encarta.msn.com> (1997-2002) Microsoft Corporation.  
 "Fair Special, 2000# Capacity Gravity Flow Protein Feeder," and Photo, Sycamore Springs Ranch, Approximately Oct. 2005.  
 Advertisement (Rick Meritt; Outback Wildlife Feeders); The Journal of the Texas Trophy Hunters, Sep./Oct. 2007, vol. 32, No. 5 (3pp).  
 Advertisement (Rick Meritt; Outback Wildlife Feeders); The Journal of the Texas Trophy Hunters, Jul./Aug. 2006, vol. 31, No. 4 (3pp).  
 Advertisement (Rick Meritt; Outback Wildlife Feeders); The Journal of the Texas Trophy Hunters, Sep./Oct. 2005, vol. 30, No. 5 (3pp).  
 Advertisement (Rick Meritt; Outback Wildlife Feeders); The Journal of the Texas Trophy Hunters, Sep./Oct. 2001, vol. 26, No. 5 (2pp).  
 Advertisement (Rick Meritt; Outback Wildlife Feeders); The Journal of the Texas Trophy Hunters, Sep./Oct. 2002, vol. 27, No. 5 (2pp).  
 Advertisement (Rick Meritt; Outback Wildlife Feeders); The Journal of the Texas Trophy Hunters, Sep./Oct. 2003, vol. 28, No. 5 (2pp).  
 Advertisement (Rick Meritt; Outback Wildlife Feeders); The Journal of the Texas Trophy Hunters, Sep./Oct. 2004, vol. 29, No. 5 (2pp).

\* cited by examiner

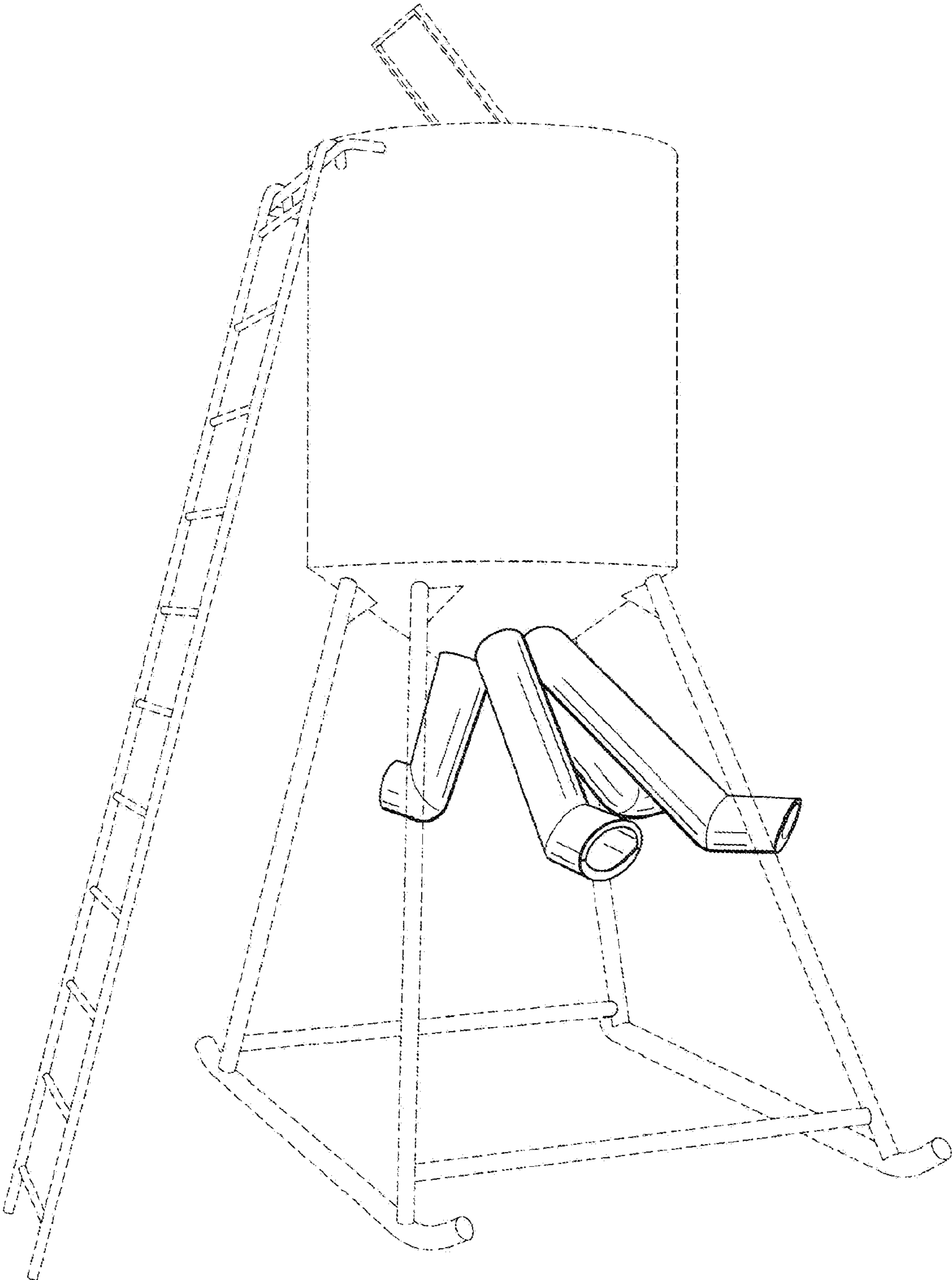


FIG. 1

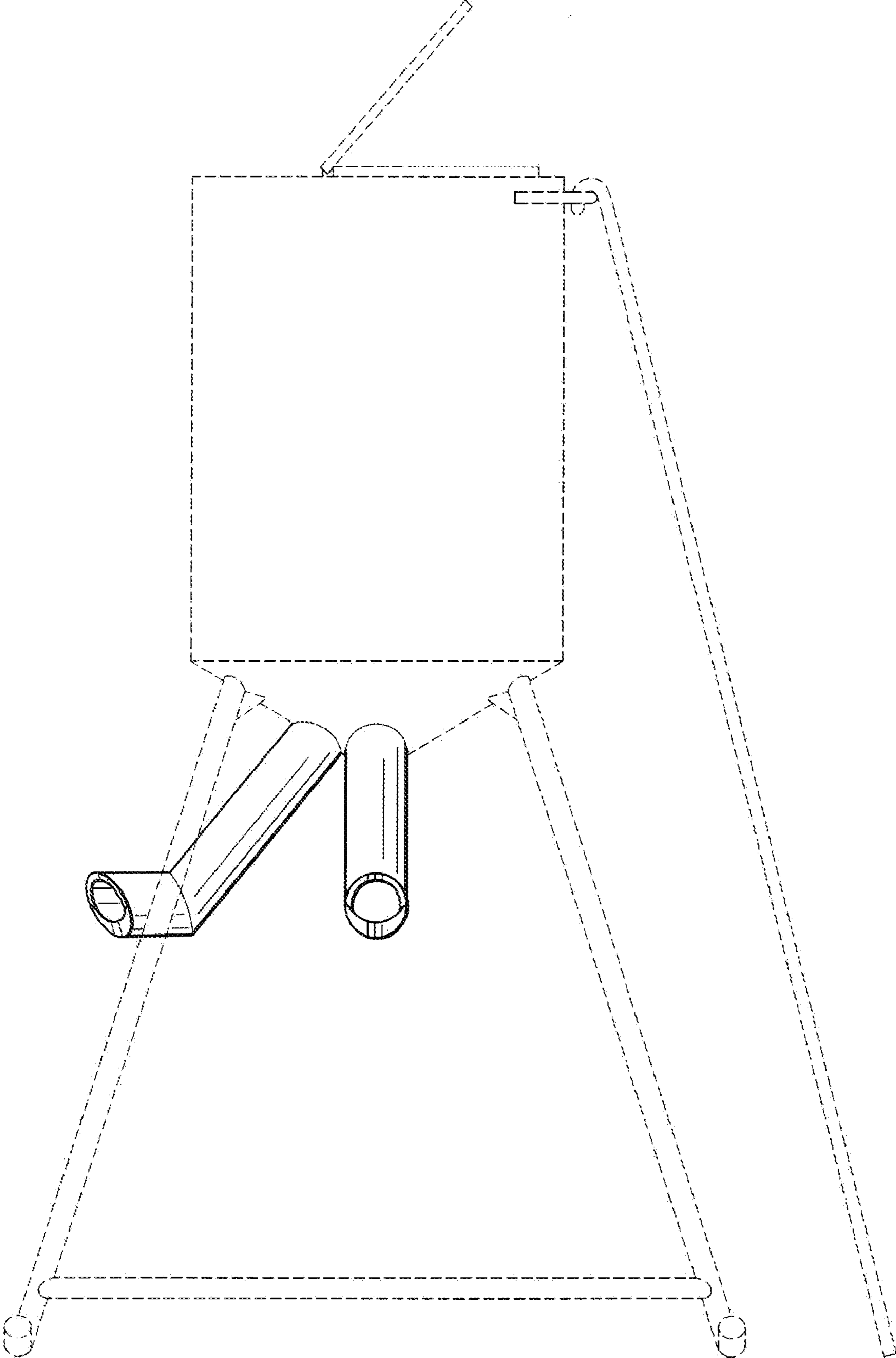


FIG. 2

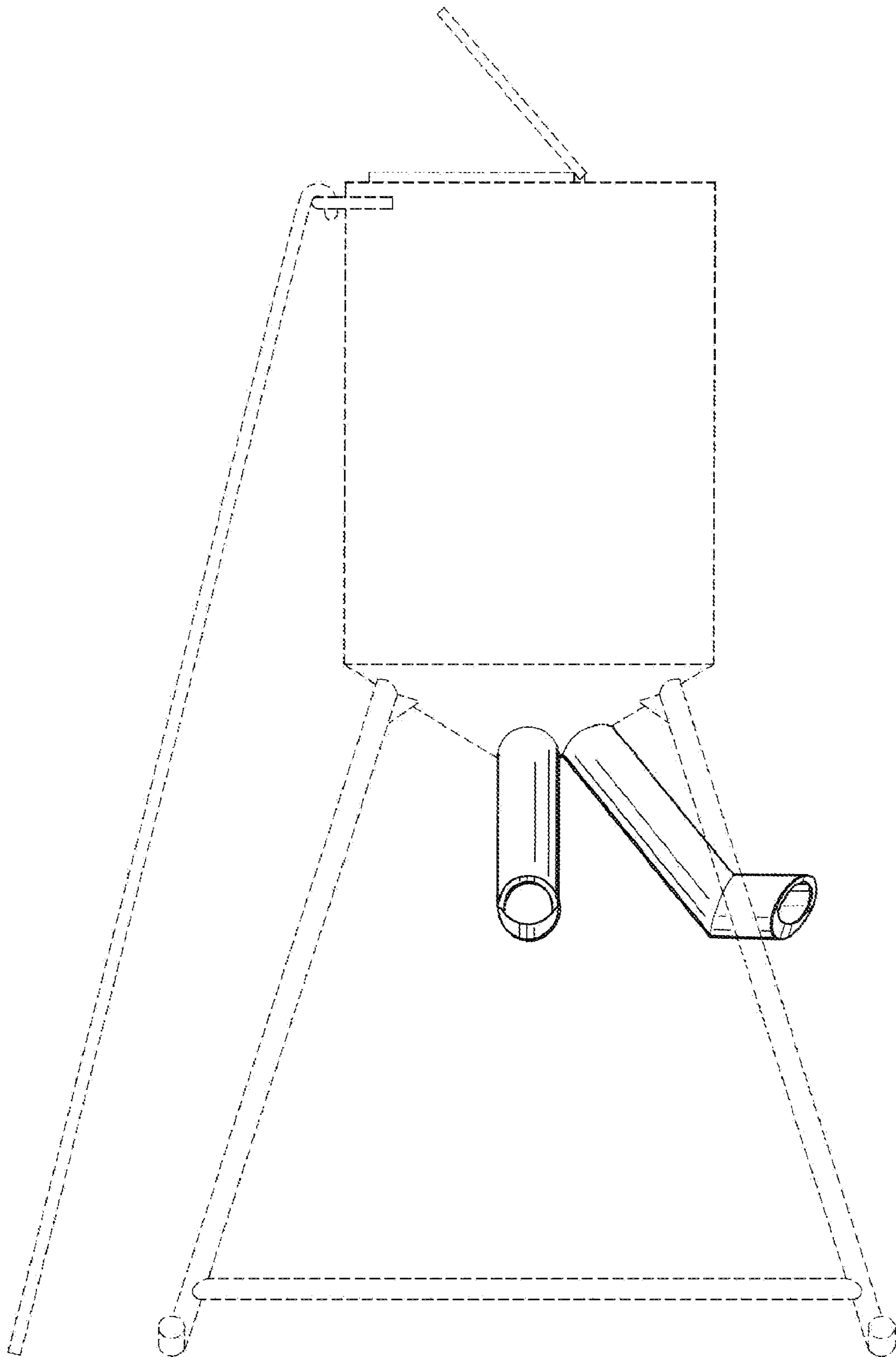


FIG. 3

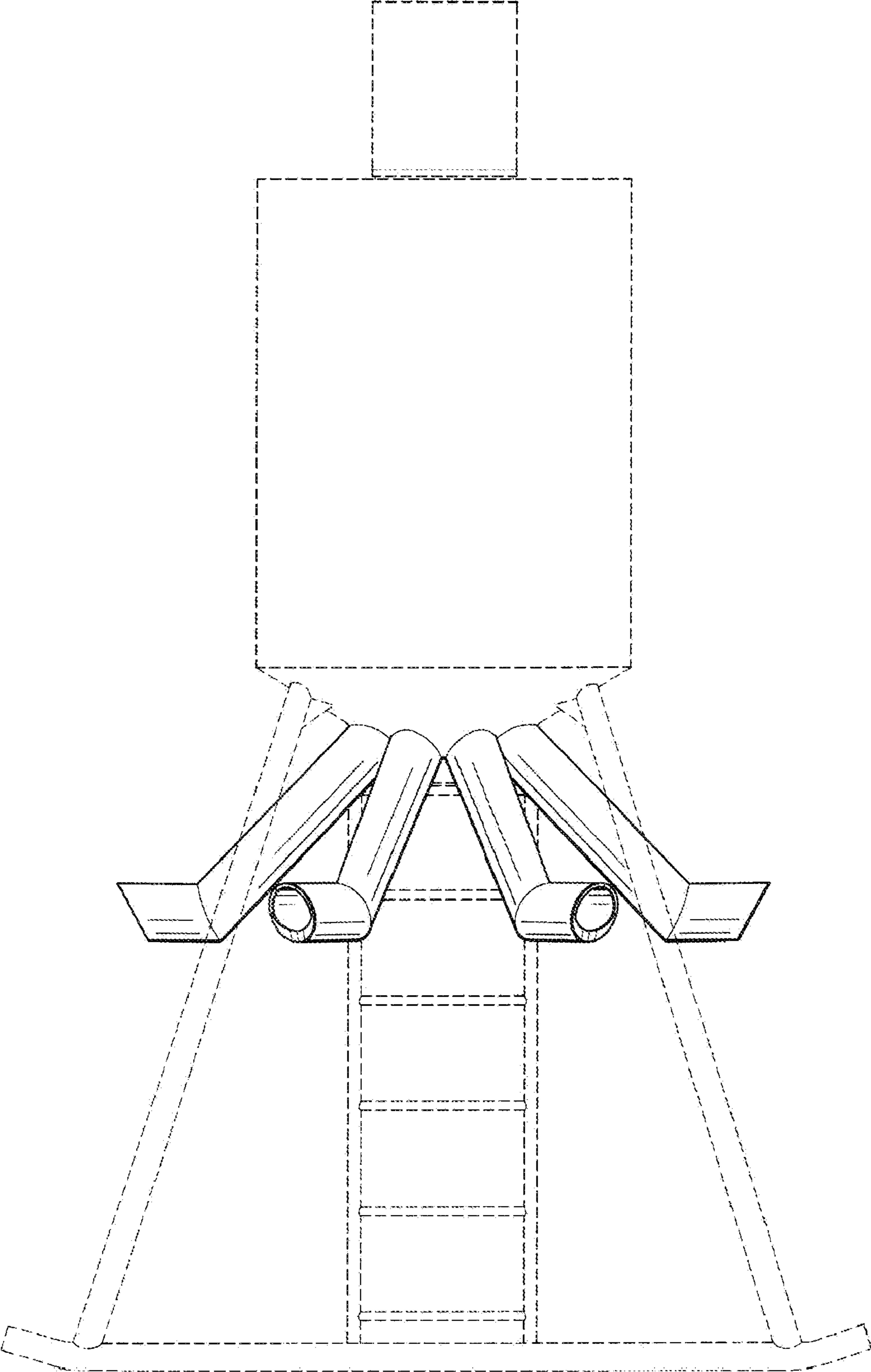


FIG. 4

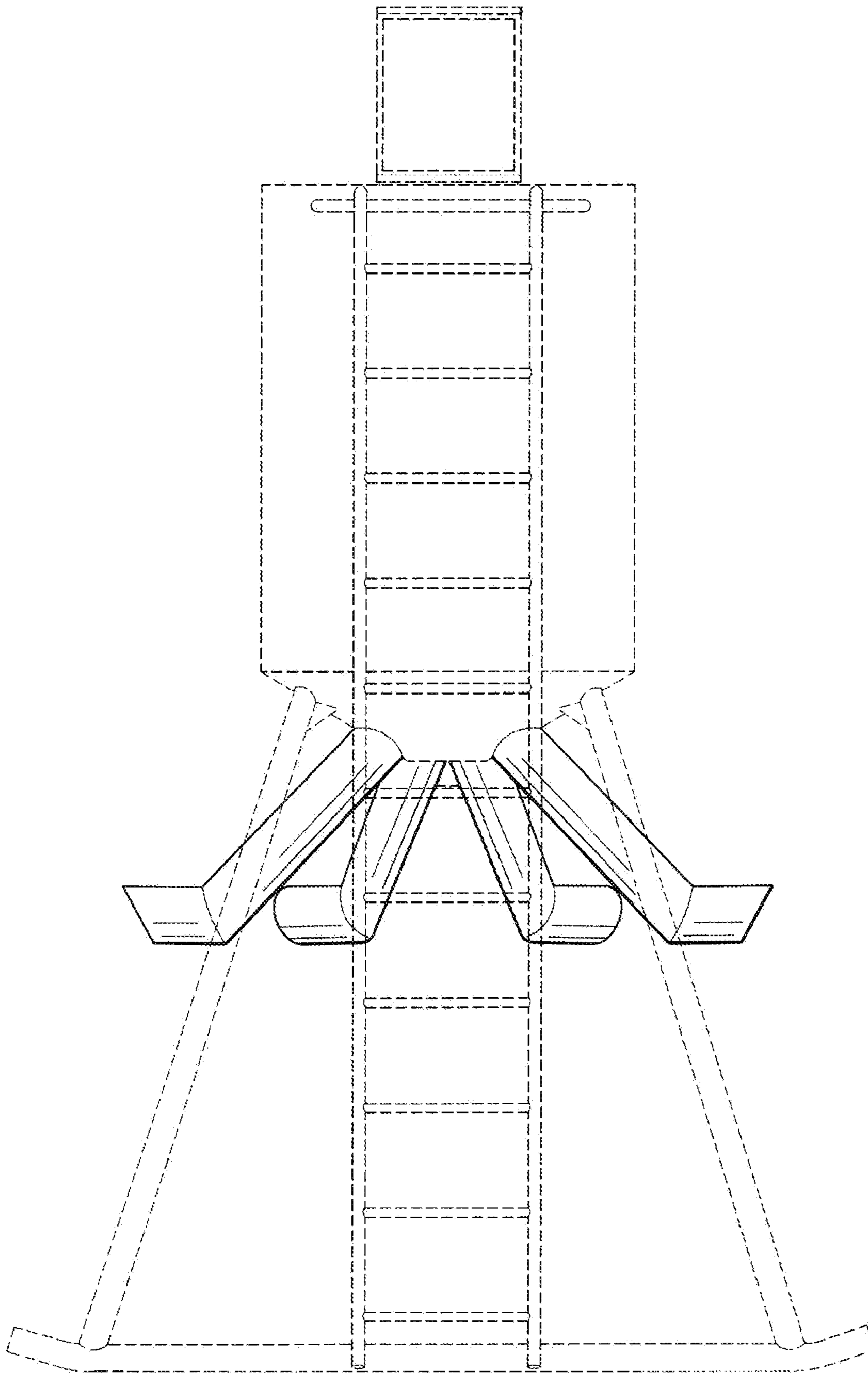


FIG. 5

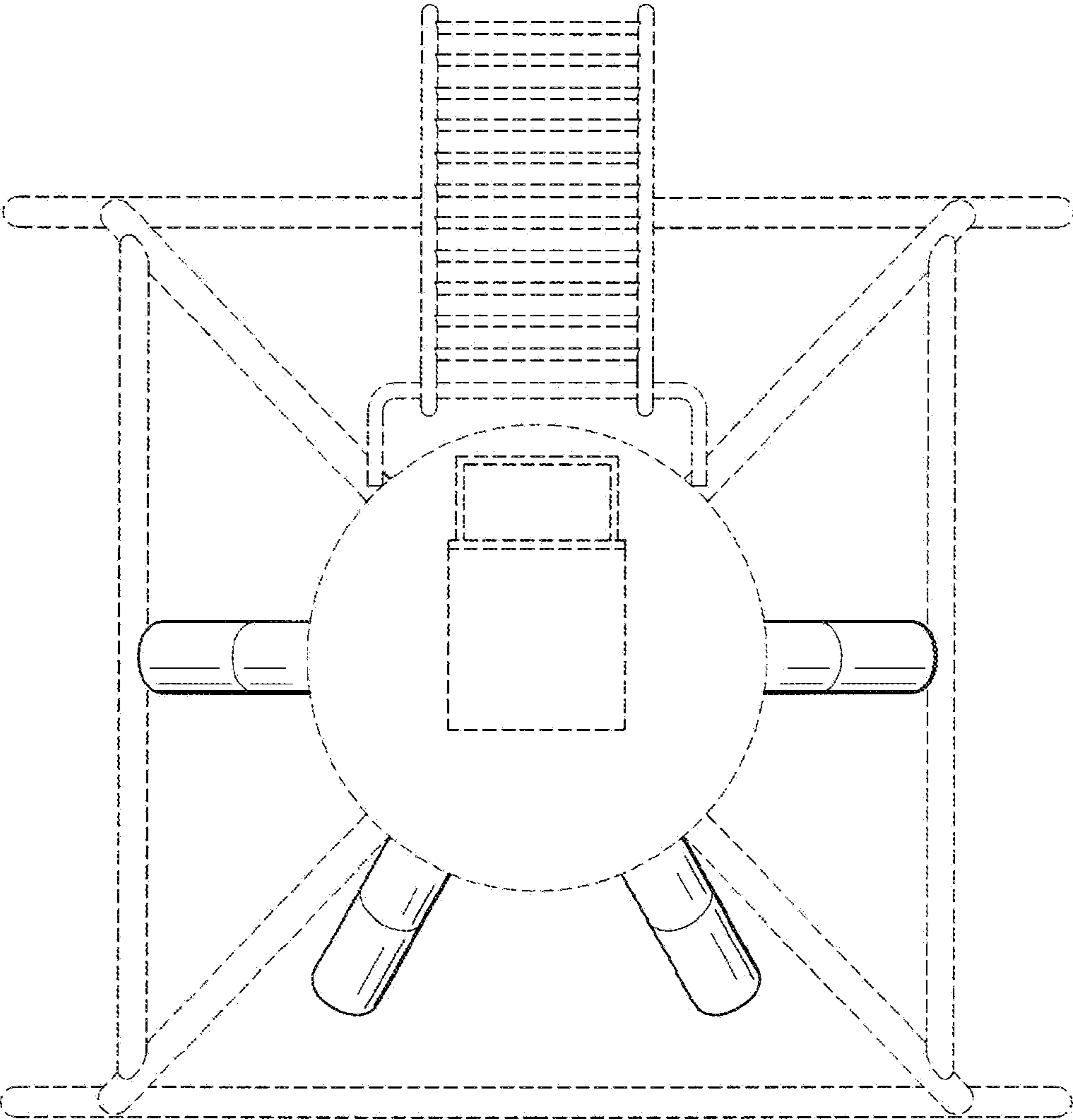


FIG. 6



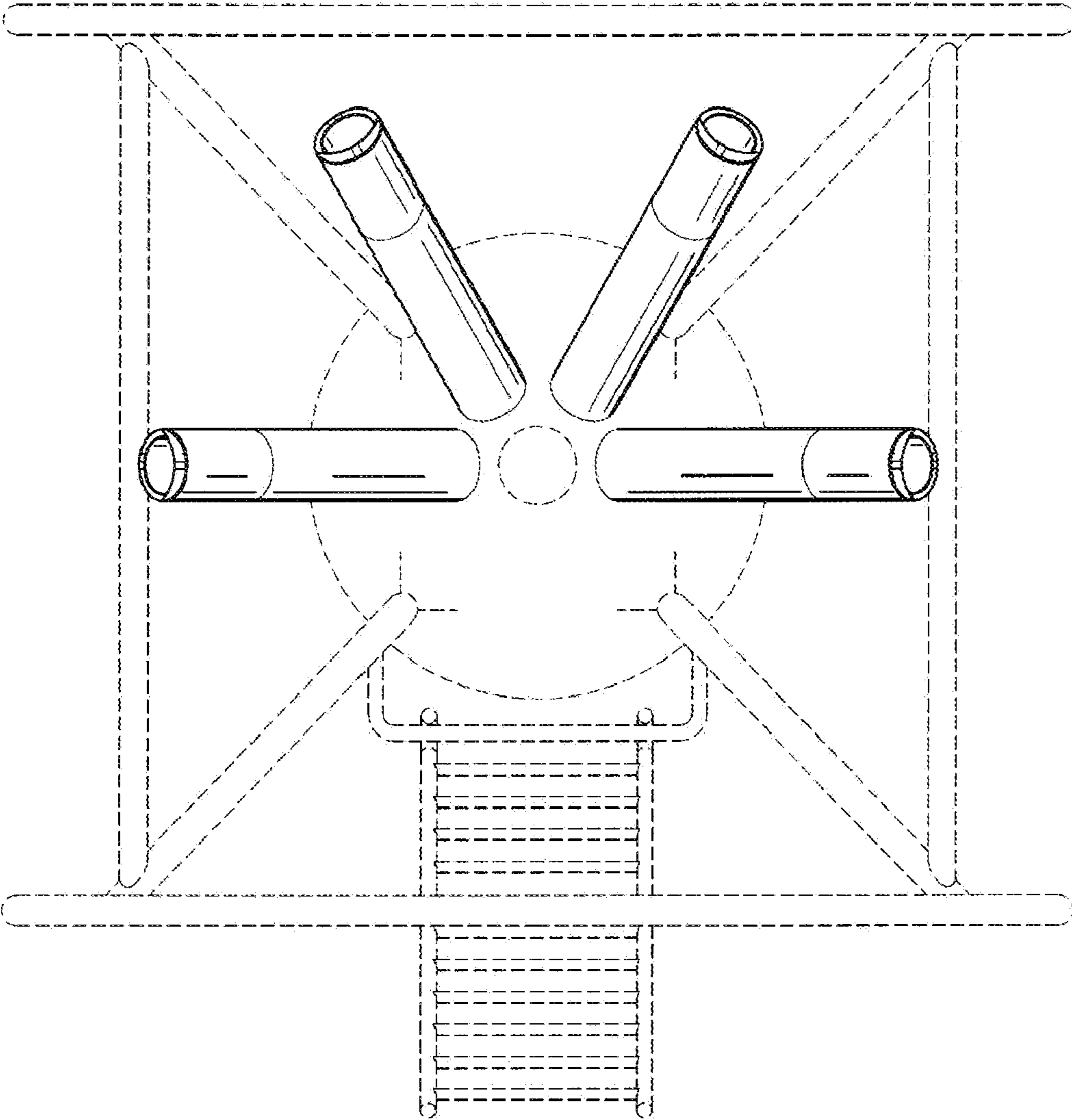


FIG. 7