



US00D603565S

(12) **United States Design Patent**
Fick

(10) **Patent No.:** **US D603,565 S**

(45) **Date of Patent:** **** Nov. 3, 2009**

(54) **PET WATER OR FOOD STORAGE UNIT WITH STOWABLE BOWL**

(75) Inventor: **Orval Lee Fick**, Miami, OK (US)

(73) Assignee: **Bergan, LLC**, Miami, OK (US)

(**) Term: **14 Years**

(21) Appl. No.: **29/243,713**

(22) Filed: **Nov. 30, 2005**

(51) **LOC (9) Cl.** **30-07**

(52) **U.S. Cl.** **D30/121; D30/129; D30/132**

(58) **Field of Classification Search** D30/121, D30/122, 129-133; D3/272, 273, 294; D7/629, D7/612-615; D9/430-432, 440, 449; 119/52.1, 119/51.11, 51.12, 77; 220/780-815, 832, 220/836, 913

See application file for complete search history.

(56) **References Cited**

U.S. PATENT DOCUMENTS

2,533,305	A *	12/1950	Wells	222/528
2,534,444	A	12/1950	Hedwall et al.		
2,659,344	A	11/1953	Herbert		
D199,505	S *	11/1964	Swett et al.	D7/629
3,188,157	A	6/1965	Rand		
3,417,897	A *	12/1968	Johnson	220/254.3
D233,895	S	12/1974	Mineo		
4,000,719	A	1/1977	Richards		
4,260,069	A *	4/1981	Juergens	220/812
D276,400	S *	11/1984	Daenen et al.	D7/629
4,947,796	A	8/1990	Robinette		
D311,665	S *	10/1990	Carlson	D7/629
5,086,926	A *	2/1992	Paige et al.	206/542
D335,939	S	5/1993	Cooper		
D351,969	S *	11/1994	Daenen et al.	D7/603
5,404,838	A	4/1995	Khan		
5,467,735	A	11/1995	Chrisco		

(Continued)

Primary Examiner—Melanie Tung
Assistant Examiner—Susan Moon Lee
(74) *Attorney, Agent, or Firm*—Hovey Williams LLP

(57) **CLAIM**

The ornamental design for a pet water or food storage unit with stowable bowl, as shown and described.

DESCRIPTION

This application is a being filed contemporaneously with U.S. application Ser. No. 11/164,642. All of the material from U.S. application Ser. No. 11/164,642 that is essential to the claimed design is included herein. Any material in U.S. application Ser. No. 11/164,642 that is not present herein forms no part of the claimed design.

FIG. 1 is a perspective view of a pet food storage unit with stowable bowl embodying my design, with the handle, the end-mounted latches and clips for securing the lid to the container sidewall, the striations along the container sidewall, the mating edges of the container and dish sidewalls, and the end-mounted stop on the dish sidewall being shown in broken lines for illustrative purposes only and forming no part of the claimed design;

FIG. 2 is an opposite perspective view of the unit depicted in FIG. 1, with the recessed end section of the dish sidewall and the end cutout section of the container sidewall being shown in broken lines for illustrative purposes only and forming no part of the claimed design;

FIG. 3 is an end elevation view of the unit depicted in FIGS. 1 and 2;

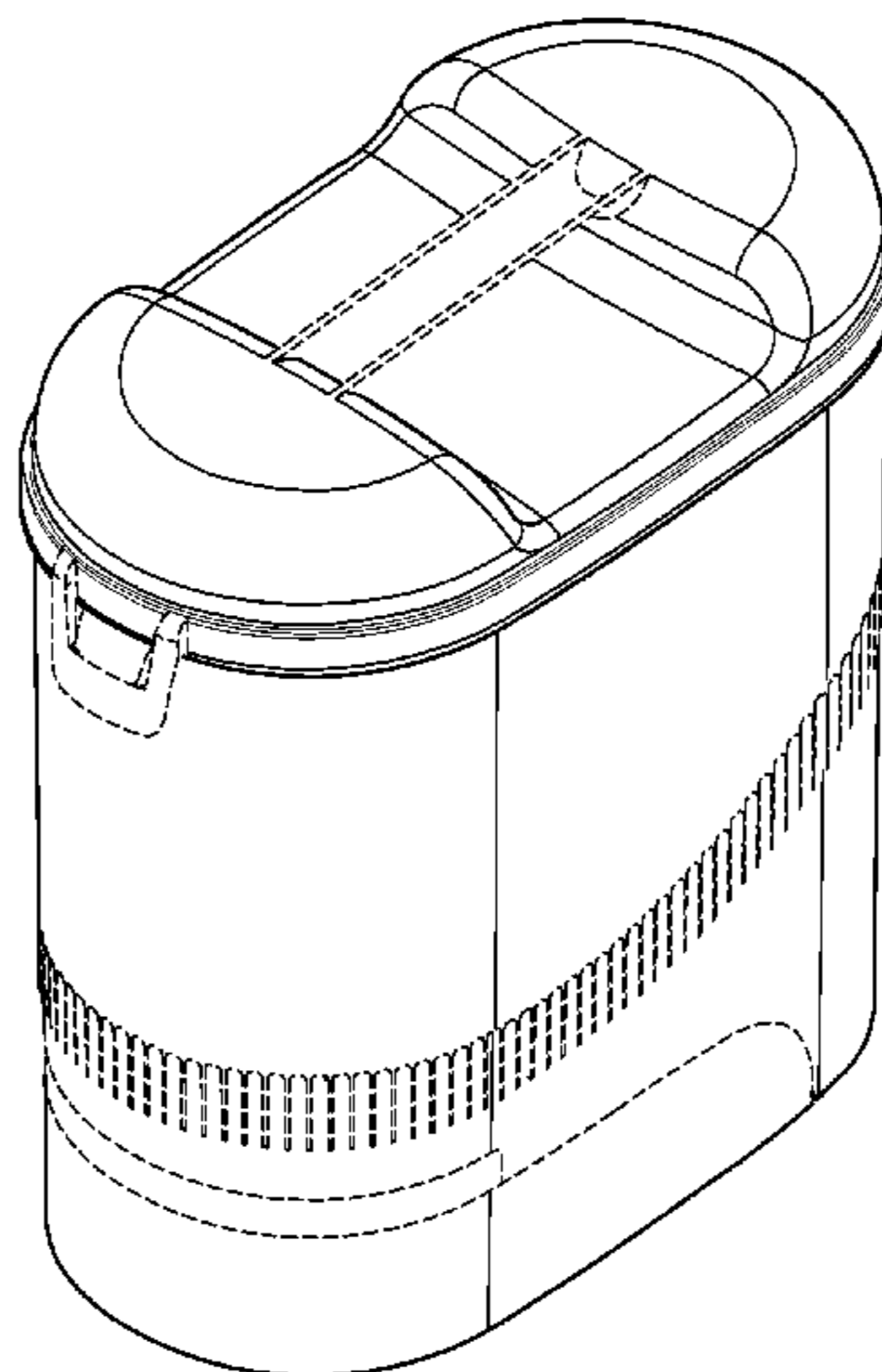
FIG. 4 is a side elevation view of the unit depicted in FIGS. 1-3;

FIG. 5 is an end elevation view of the unit opposite that shown in FIG. 3;

FIG. 6 is a side elevation view of the unit opposite that shown in FIG. 4; and,

FIG. 7 is top plan view of the unit depicted in FIGS. 1-6.

1 Claim, 4 Drawing Sheets



US D603,565 S

Page 2

U.S. PATENT DOCUMENTS

D375,873 S *	11/1996	Ahern et al.	D7/602	D469,011 S *	1/2003	Miller	D9/417
D383,671 S *	9/1997	Phillips	D9/429	D473,140 S *	4/2003	Gilliam et al.	D9/428
5,673,811 A *	10/1997	Dickinson et al.	220/812	D473,461 S *	4/2003	Joubert	D9/423
D395,204 S *	6/1998	Wood	D7/615	D473,788 S *	4/2003	Chen et al.	D9/428
D407,974 S *	4/1999	Zimmer et al.	D9/428	D485,135 S *	1/2004	Ross	D7/629
6,055,932 A	5/2000	Weber		6,772,904 B1 *	8/2004	Gilliam et al.	220/836
D438,066 S *	2/2001	Beach et al.	D7/629	6,845,735 B1	1/2005	Northrop et al.	
				6,889,866 B2 *	5/2005	Gilliam et al.	220/675

* cited by examiner

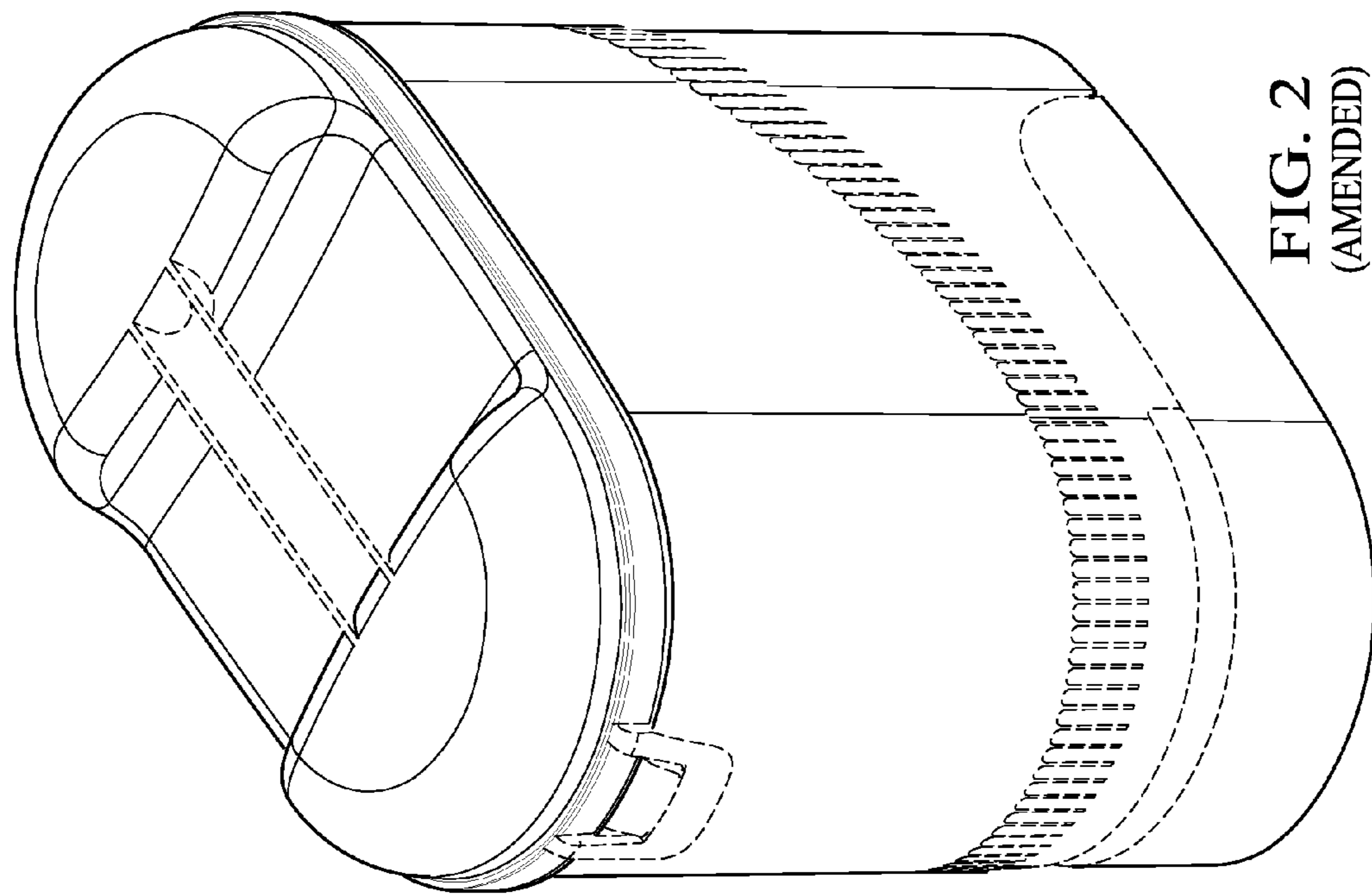


FIG. 2
(AMENDED)

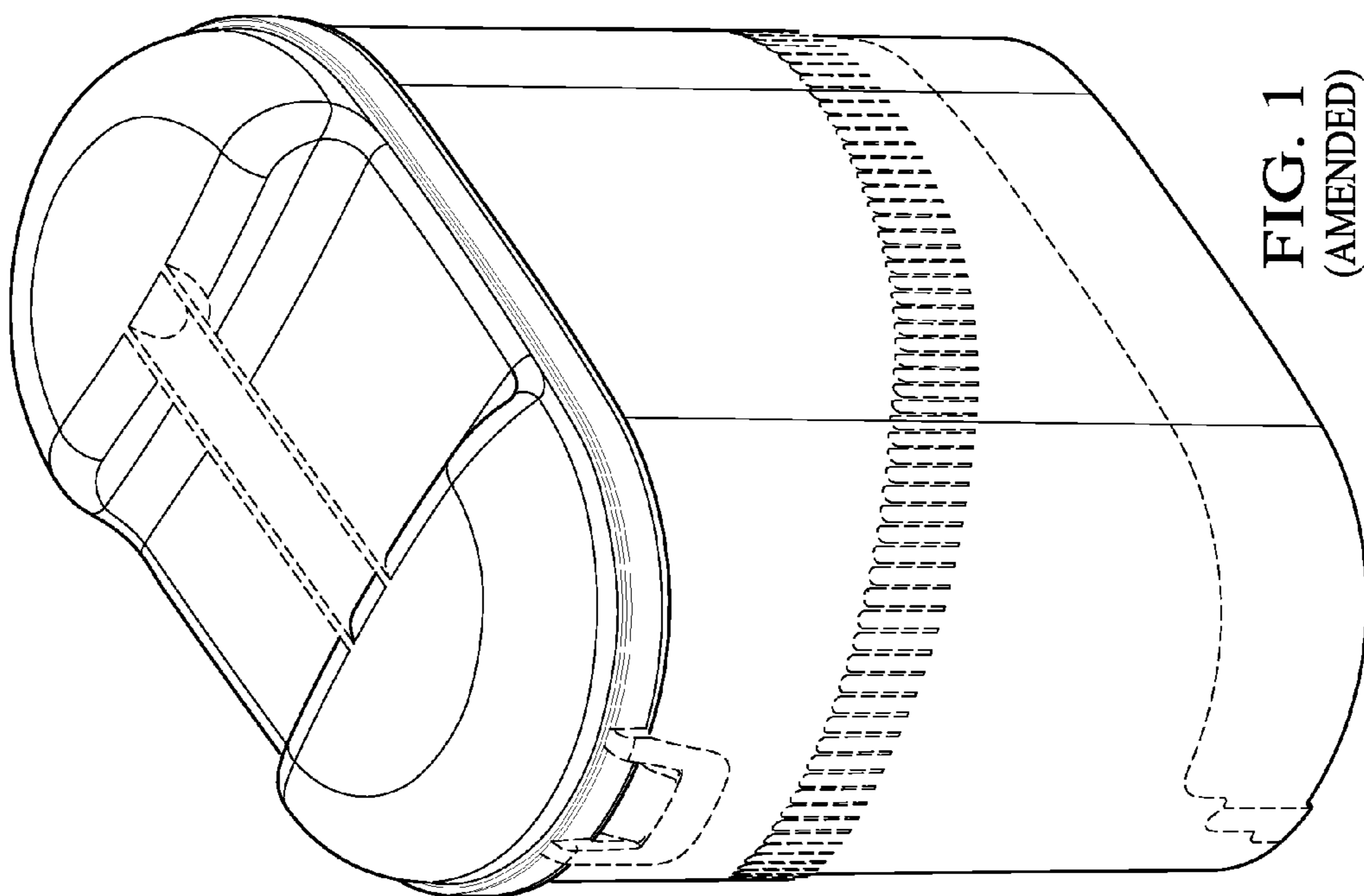


FIG. 1
(AMENDED)

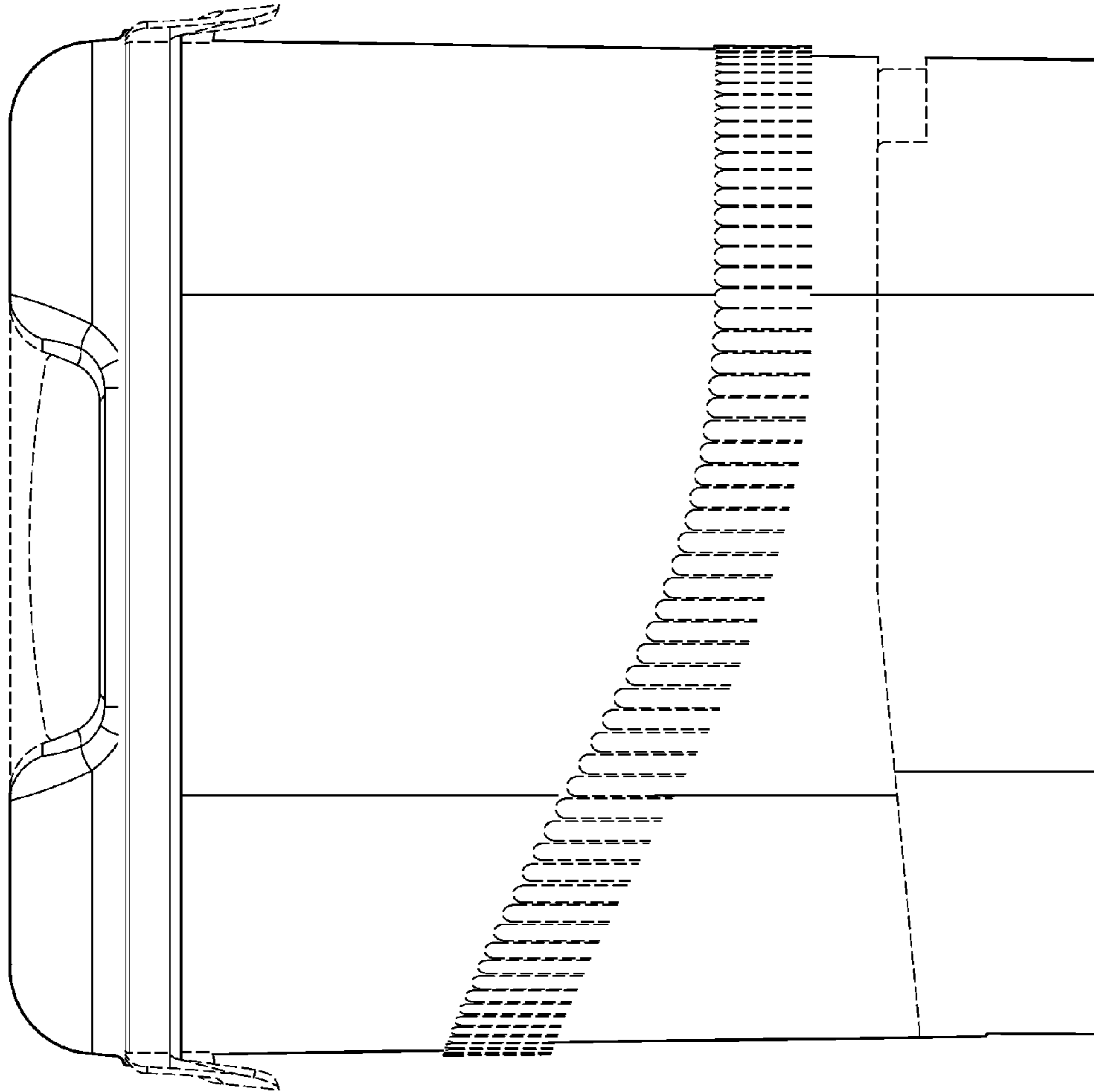


FIG. 4
(AMENDED)

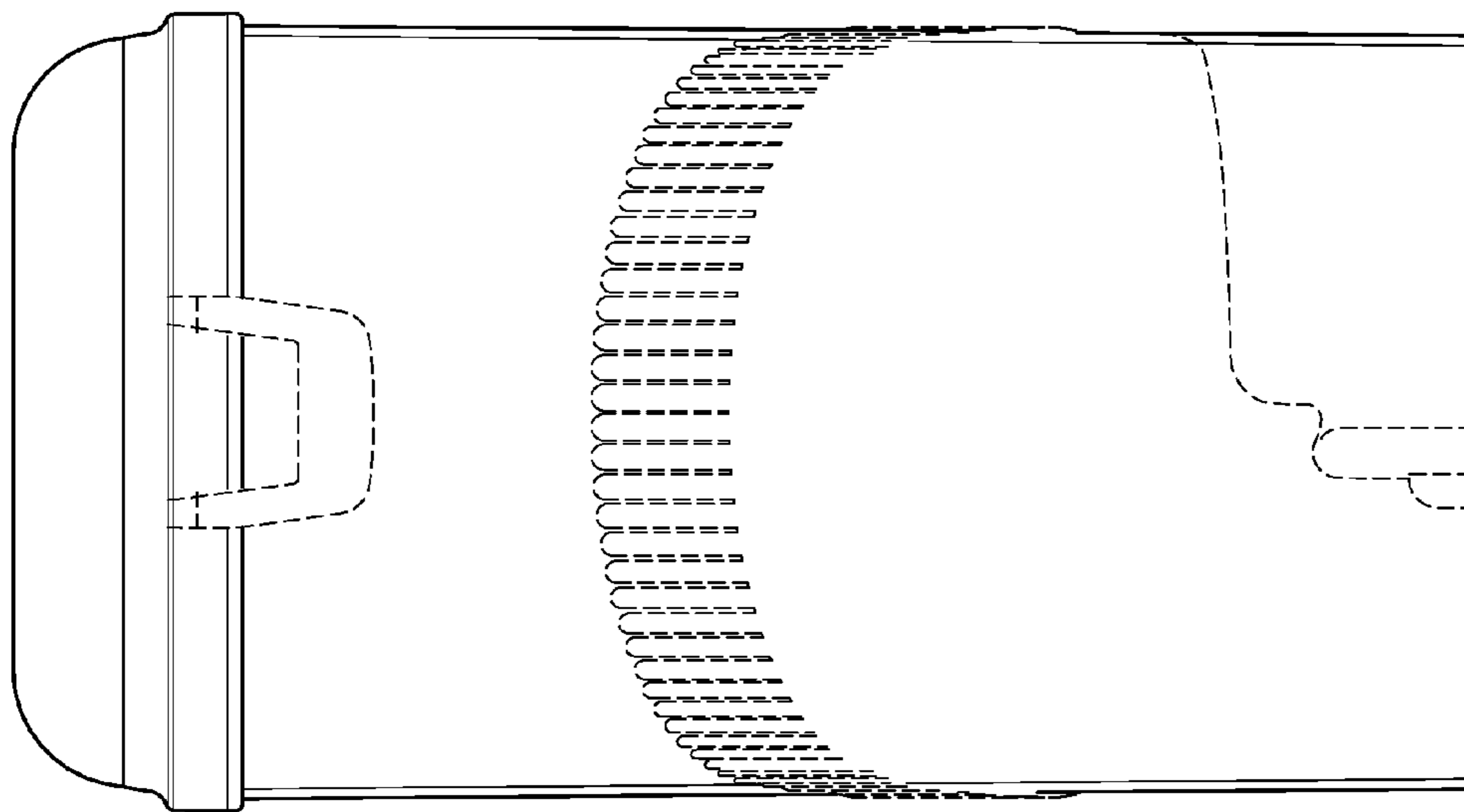


FIG. 3
(AMENDED)

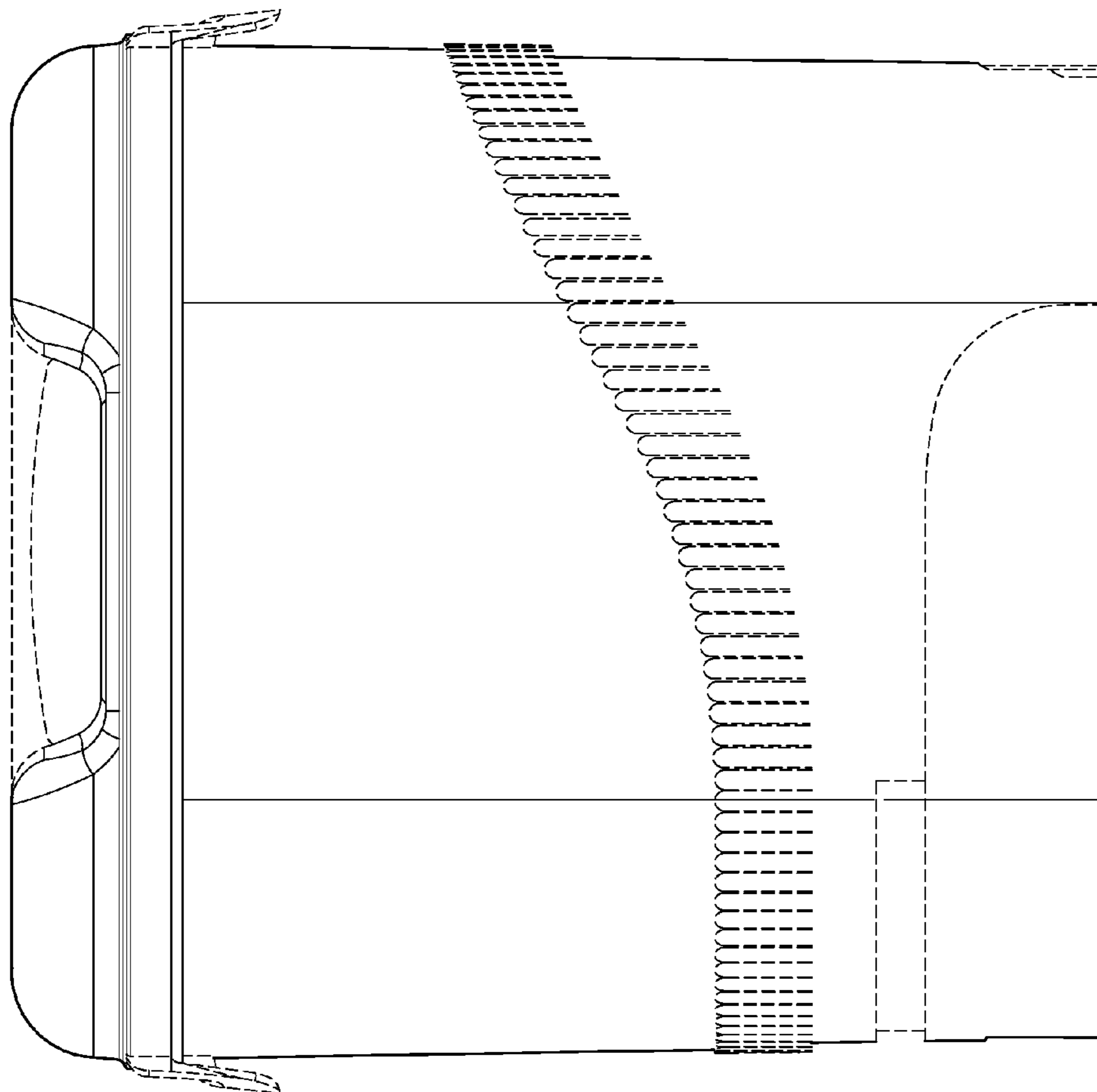


FIG. 6
(AMENDED)

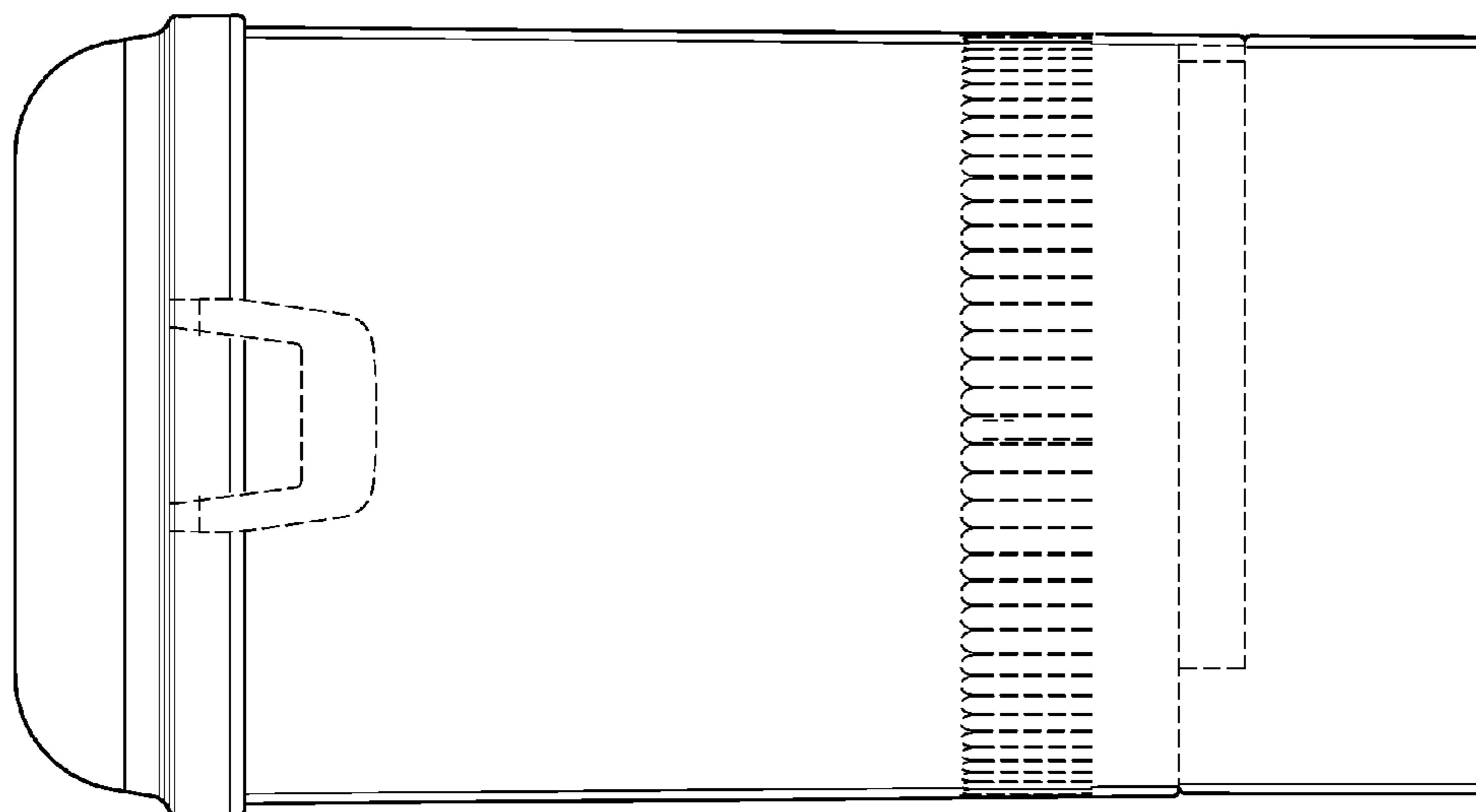


FIG. 5
(AMENDED)

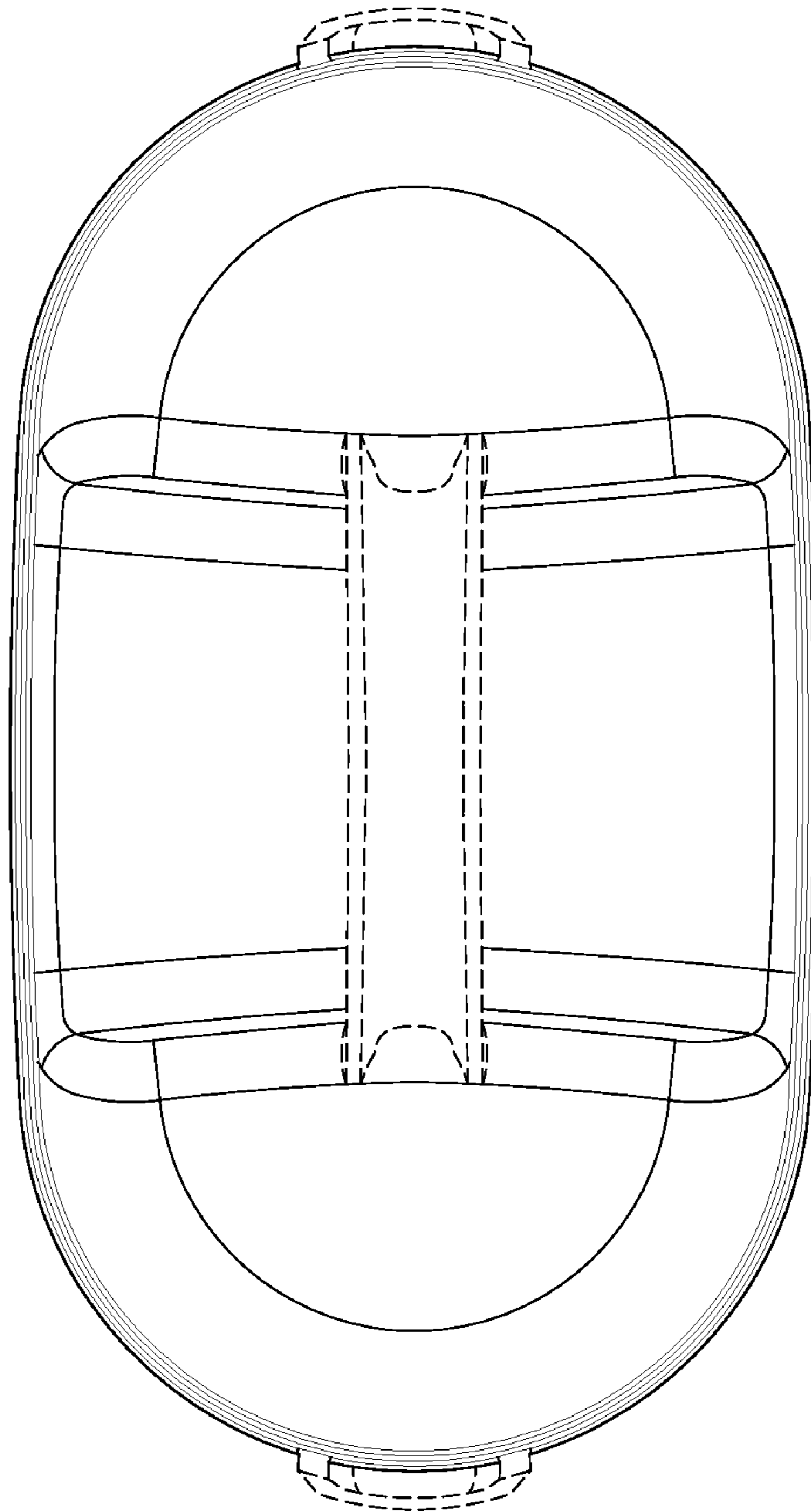


FIG. 7
(AMENDED)