



US00D603564S

(12) **United States Design Patent**
Liden

(10) **Patent No.:** **US D603,564 S**

(45) **Date of Patent:** **** Nov. 3, 2009**

(54) **COSMETIC PALETTE**

(75) Inventor: **Johan Liden**, New York, NY (US)

(73) Assignee: **Make-Up Art Cosmetics Inc.**, New York, NY (US)

(**) Term: **14 Years**

(21) Appl. No.: **29/337,236**

(22) Filed: **May 18, 2009**

Related U.S. Application Data

(62) Division of application No. 29/319,442, filed on Jun. 10, 2008, now Pat. No. Des. 597,256.

(51) **LOC (9) Cl.** **28-03**

(52) **U.S. Cl.** **D28/83**

(58) **Field of Classification Search** D28/76-84,
D28/64.3; D9/432; 132/286-319; 206/385,
206/581, 823

See application file for complete search history.

(56) **References Cited**

U.S. PATENT DOCUMENTS

1,682,534 A	8/1928	Martinat
D119,798 S	4/1940	Zell
2,628,625 A	2/1953	Pike
D279,688 S	7/1985	Kitai et al.
D409,801 S	5/1999	Kim
D428,208 S	7/2000	Nodarse
D431,880 S	10/2000	Finocchiaro et al.
D465,305 S	11/2002	Thorpe et al.
D468,867 S	1/2003	Thorpe et al.
D468,868 S	1/2003	Thorpe, et al.
D469,222 S	1/2003	Thorpe et al.
D469,223 S	1/2003	Thorpe et al.
D469,578 S	1/2003	Thorpe et al.
D471,322 S	3/2003	Lai
D474,861 S	5/2003	Rodriguez et al.
D477,895 S	7/2003	Goswell

D479,630 S	9/2003	Lai	
D480,837 S	10/2003	Liu	
D485,018 S	1/2004	Beilman	
D518,240 S	3/2006	Bossomo et al.	
D530,860 S	10/2006	Funkhouser et al.	
D535,442 S	1/2007	Ditrichstein	
D554,805 S	11/2007	Moon	
D564,707 S	3/2008	Barresi	
D597,256 S *	7/2009	Liden D28/83
2003/0041871 A1	3/2003	Endo et al.	
2006/0027481 A1	2/2006	Gelardi et al.	

FOREIGN PATENT DOCUMENTS

EM 73945-2 9/2003

(Continued)

Primary Examiner—Jennifer Rivard

(74) *Attorney, Agent, or Firm*—Cynthia R. Miller

(57) **CLAIM**

What is claimed is the ornamental design for a cosmetic palette, substantially as shown and described.

DESCRIPTION

FIG. 1 is a top, front, left side perspective view of my new design for a cosmetic palette, shown in the closed position;

FIG. 2 is a front elevation view of the cosmetic palette shown in FIG. 1;

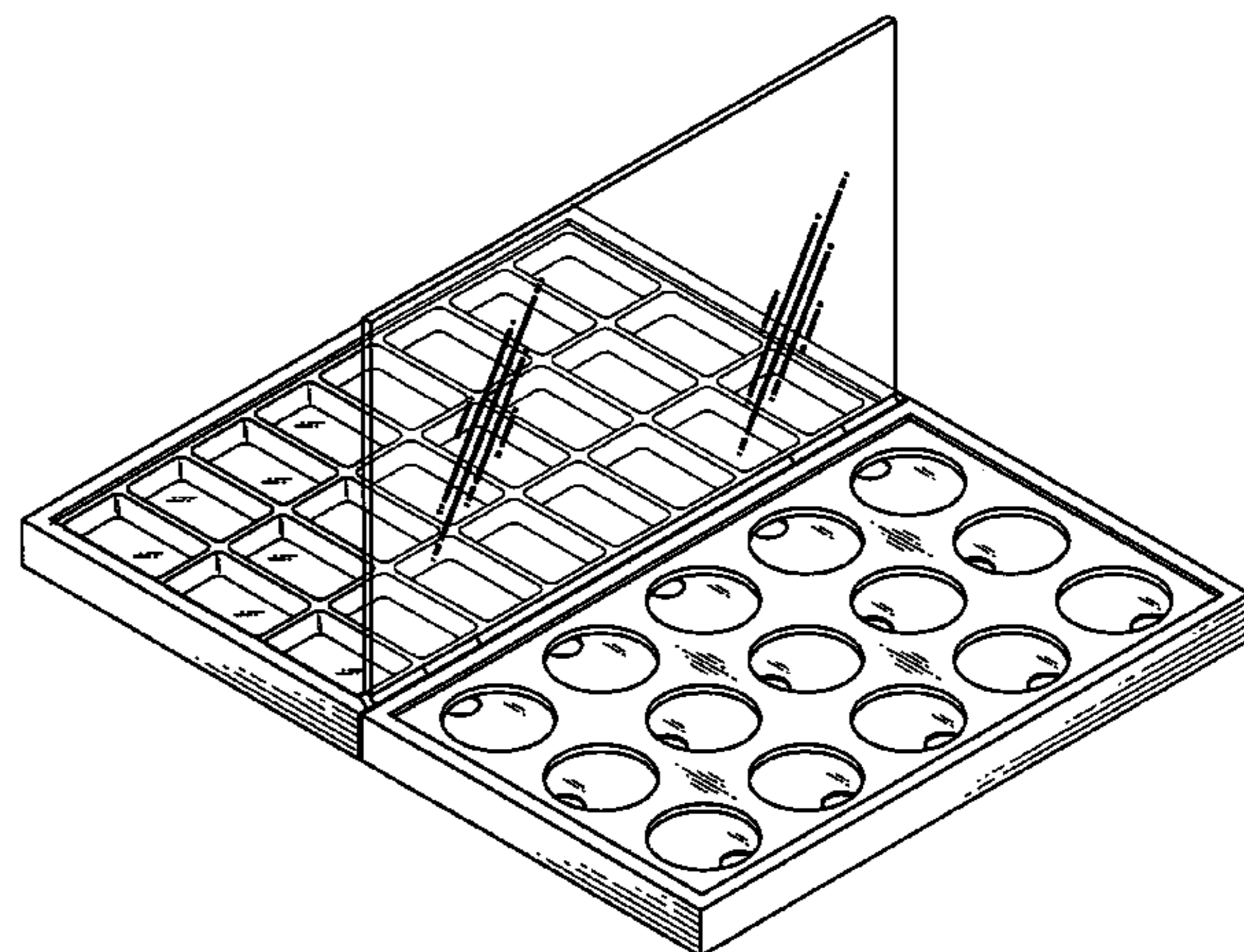
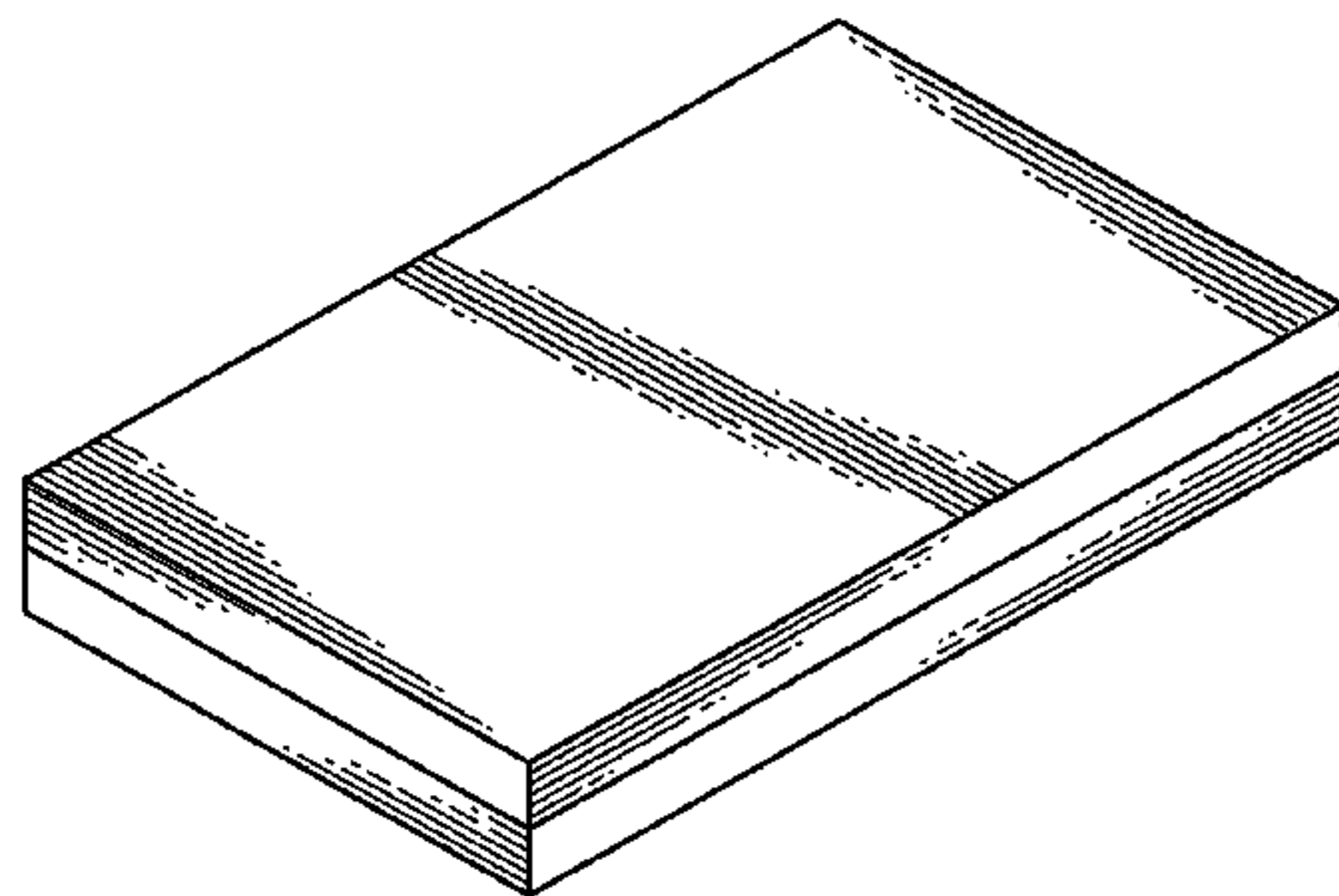
FIG. 3 is a bottom plan view of the cosmetic palette shown in FIG. 1;

FIG. 4 is a rear elevation view of the cosmetic palette shown in FIG. 1;

FIG. 5 is a right side elevation view of the cosmetic palette shown in FIG. 1; the left side elevation view being a mirror image thereof; and,

FIG. 6 is a top, front and left side perspective view of the cosmetic palette of FIG. 1, shown in the open position.

1 Claim, 2 Drawing Sheets



US D603,564 S

Page 2

FOREIGN PATENT DOCUMENTS					
			KR	30-0274037	4/2001
			KR	30-0280899-1	10/2001
			KR	30-0283483	11/2001
			KR	30-0286167	12/2001
			KR	30-0286562	12/2001
			KR	30-0289424	1/2002
			KR	30-0291609	2/2002
			KR	30-0291609-1	2/2002
			KR	30-0289424-1	3/2002
			KR	30-0293732	3/2002
			KR	30-0293733	3/2002
			KR	30-0296253	4/2002
			KR	30-0296255	4/2002
			KR	30-0299756	6/2002
			KR	30-0305405	8/2002
			KR	30-0306838	9/2002
			KR	30-0337846	11/2003
			KR	30-0378471	4/2005
			KR	30-0401211	12/2005
			WO	DM/002986	10/1983
			WO	DM/010677	4/1988
			WO	DM/010678	4/1988
			WO	DM/012940	2/1989
			WO	DM/016446	4/1990
			WO	DM/023414	7/1992
			WO	DM/041410	9/1997
			WO	DM/055672	5/2001
			* cited by examiner		
EM	73945-15	9/2003			
JP	860877	2/1993			
JP	974864	2/1997			
JP	977053	3/1997			
JP	977870	3/1997			
JP	995919	11/1997			
JP	996307	11/1997			
JP	996307-1	11/1997			
JP	1002217	2/1998			
JP	1002218	2/1998			
JP	1058569	1/2000			
JP	1110648	6/2001			
JP	1110649	6/2001			
JP	1172175	4/2003			
JP	1236477	4/2005			
JP	1250708	9/2005			
JP	1251011	9/2005			
JP	1296587	3/2007			
JP	1308509	8/2007			
JP	1308576	8/2007			
JP	1308619	8/2007			
KR	30-0241579	7/1999			
KR	30-0254410	3/2000			
KR	30-0261497	8/2000			
KR	30-0261497-01	8/2000			
KR	30-0262815	9/2000			
KR	30-0254410-01	4/2001			

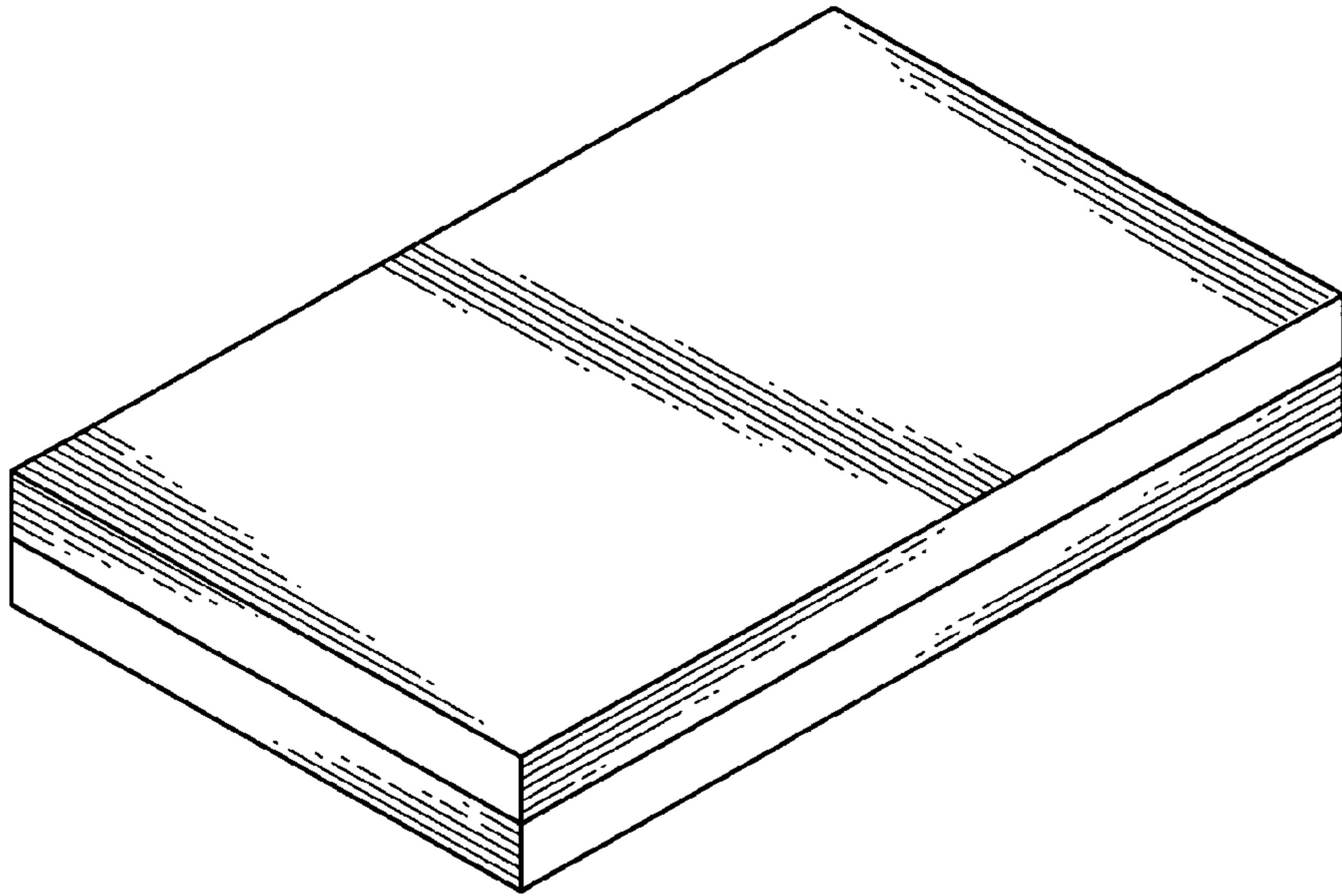


FIG. 1

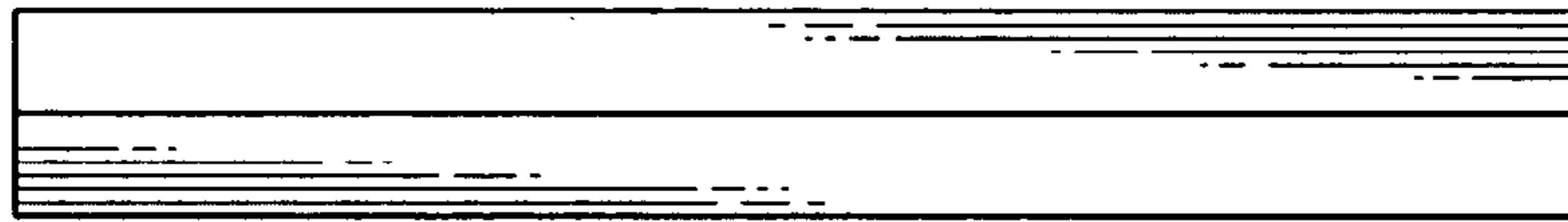


FIG. 2

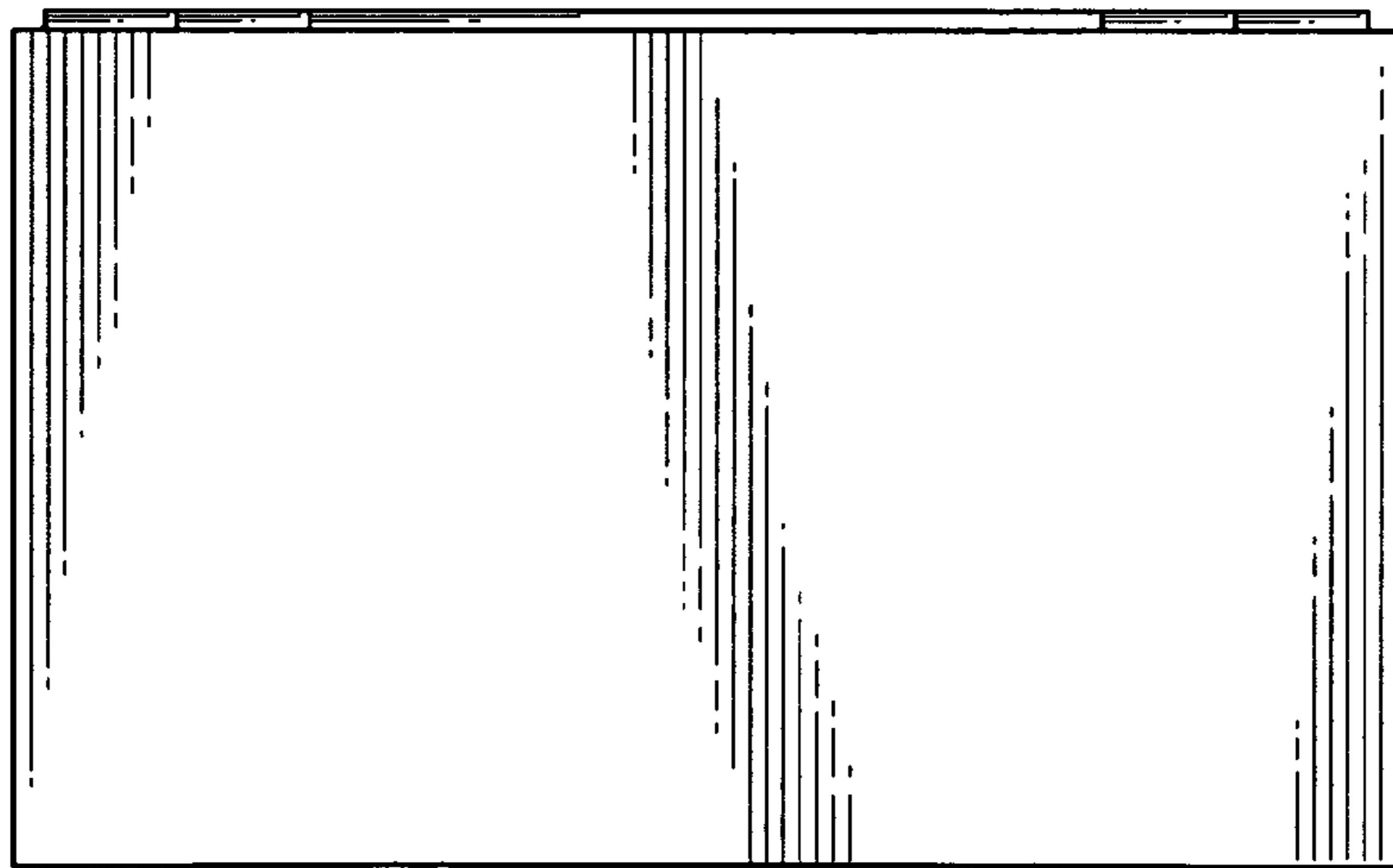


FIG. 3

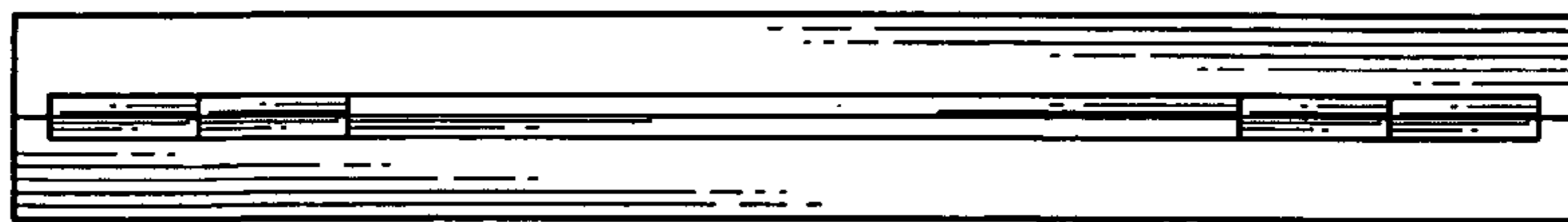


FIG. 4

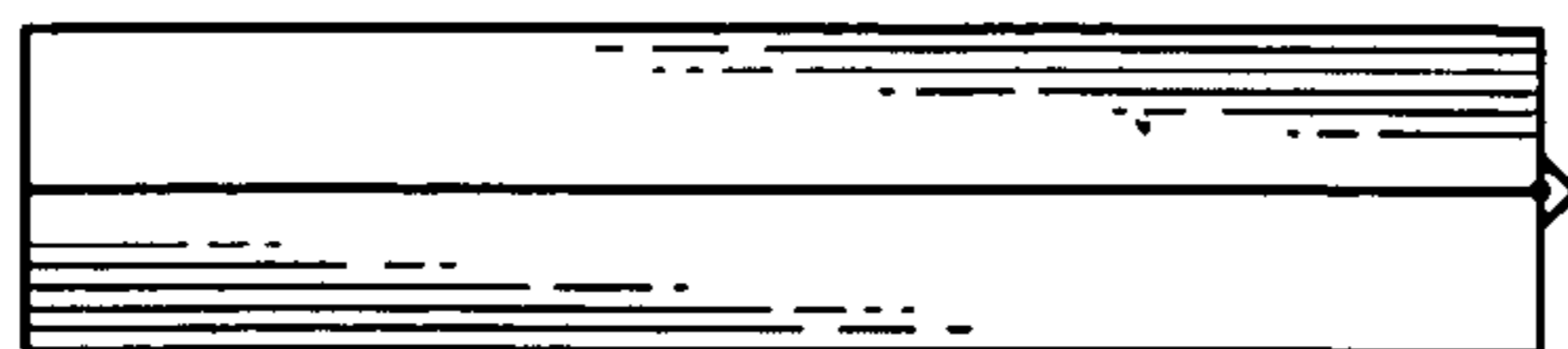


FIG. 5

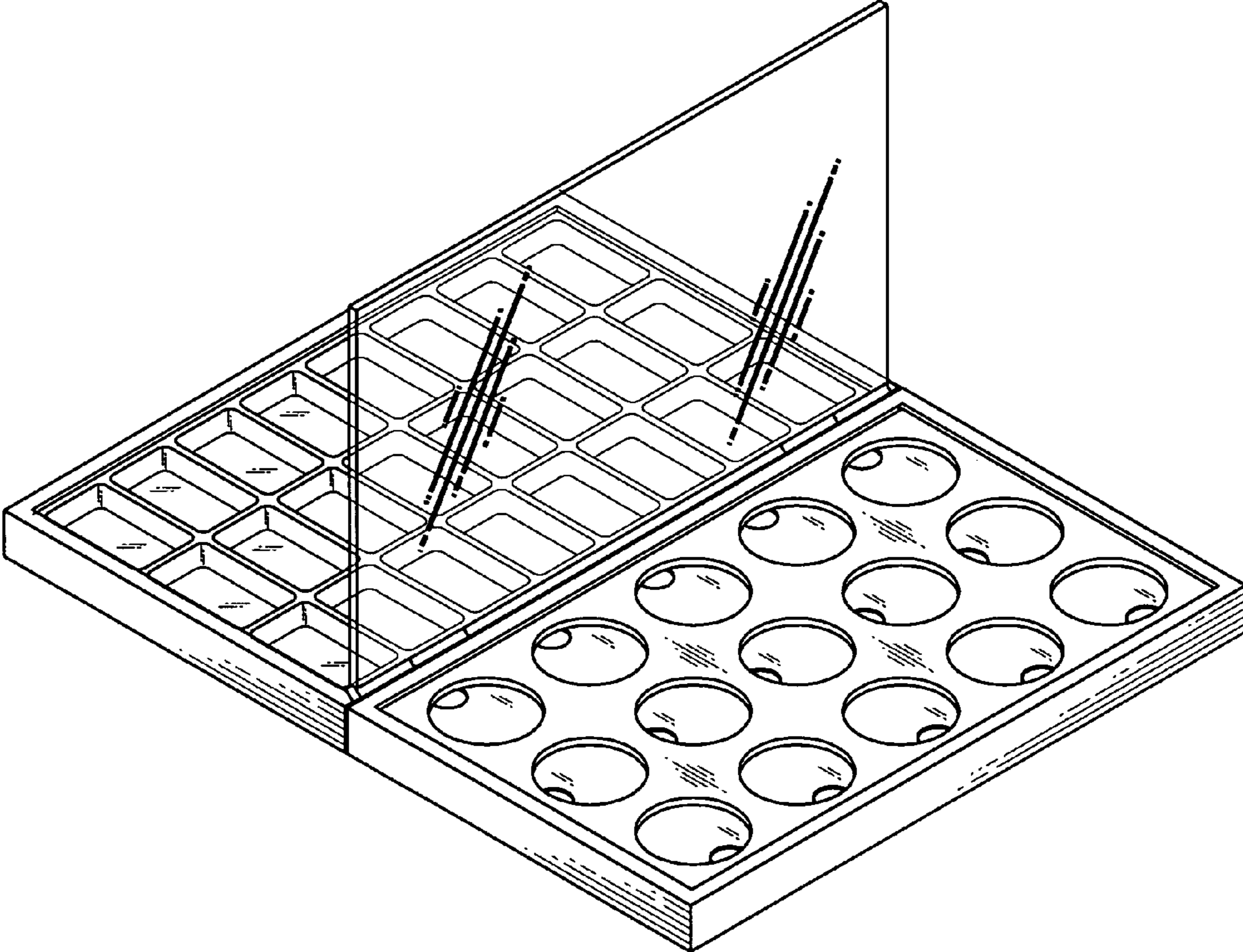


FIG. 6