



US00D603563S

(12) **United States Design Patent**
Cho

(10) **Patent No.:** **US D603,563 S**

(45) **Date of Patent:** **** Nov. 3, 2009**

(54) **HOLDER FOR BEAUTY IMPLEMENT AND COSMETIC**

(76) **Inventor:** **Yong Hoon Cho**, 604 Murfield Ct., Fullerton, CA (US) 92835

(**) **Term:** **14 Years**

(21) **Appl. No.:** **29/310,559**

(22) **Filed:** **Aug. 26, 2008**

(51) **LOC (9) Cl.** **28-03**

(52) **U.S. Cl.** **D28/76**

(58) **Field of Classification Search** D28/64.3, D28/73, 76, 85-90; D27/136, 161, 183; 132/314, 317, 318, 320; 206/385, 581, 823
See application file for complete search history.

(56) **References Cited**

U.S. PATENT DOCUMENTS

D120,662 S *	5/1940	Christy	D28/86
D144,145 S *	3/1946	Silson	132/318
D185,388 S *	6/1959	Peters	D28/86
D342,586 S *	12/1993	Lobo	D28/86
D413,184 S *	8/1999	Cooper	D28/64.3
2005/0087207 A1 *	4/2005	Rousselet	132/318

* cited by examiner

Primary Examiner—Jennifer Rivard

(74) *Attorney, Agent, or Firm*—Maria Erlinda Co Sarno

(57) **CLAIM**

The ornamental design for a holder for beauty implement and cosmetic, as shown and described.

DESCRIPTION

FIG. 1 is a perspective view of a holder for beauty implement and cosmetic showing my new design having an eyelash curler and a mascara inside the holder;

FIG. 2 is a perspective view of a holder for beauty implement and cosmetic showing my new design having an eyelash curler and a mascara out of the holder;

FIG. 3 is a front elevational view of the holder for beauty implement and cosmetic;

FIG. 4 is a rear elevational view of the holder for beauty implement and cosmetic;

FIG. 5 is a left side elevational view thereof;

FIG. 6 is a right side elevational view thereof;

FIG. 7 is a top plan view thereof; and,

FIG. 8 is a bottom plan view thereof.

The broken line disclosure of the eyelash curler and mascara illustrates environment. The broken line disclosure of the inner tabs illustrates portions of the holder. None of the broken lines forms part of the claimed design.

1 Claim, 4 Drawing Sheets

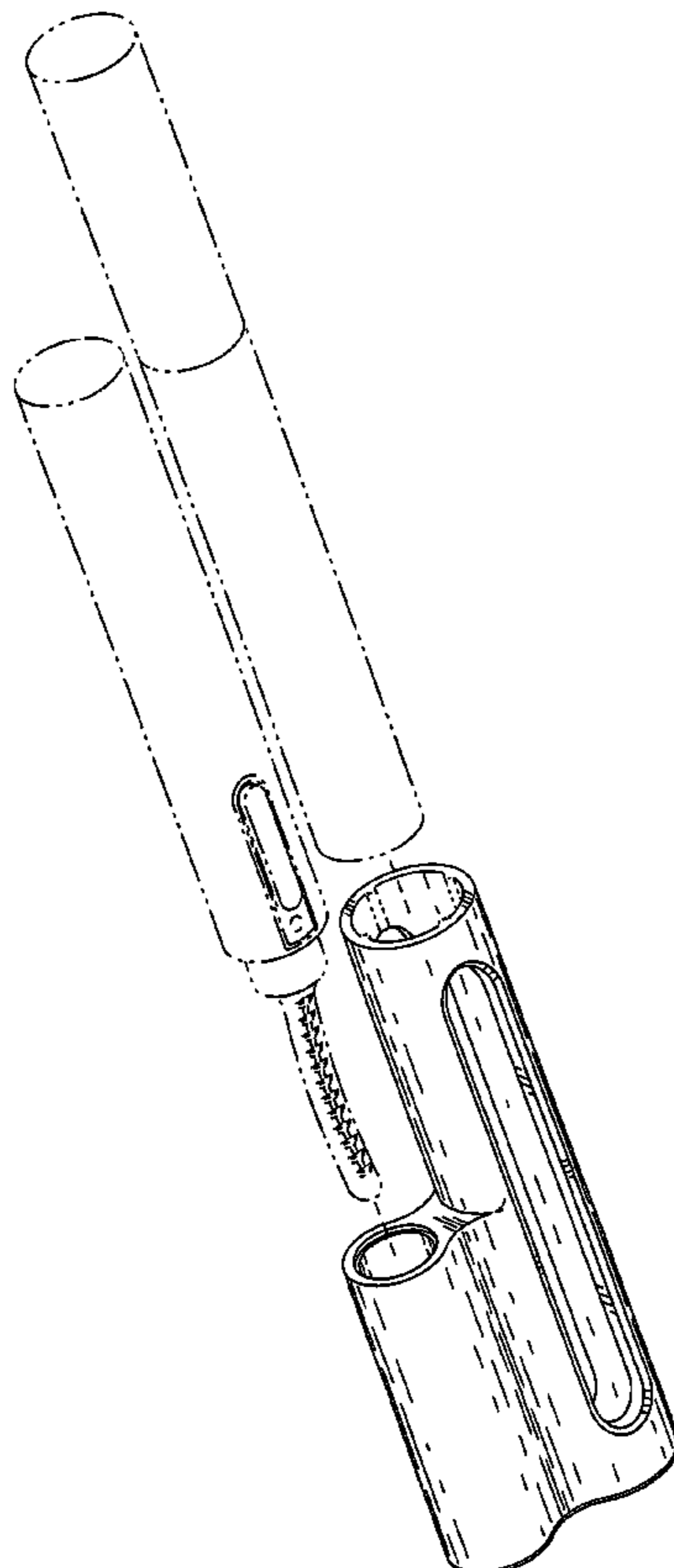
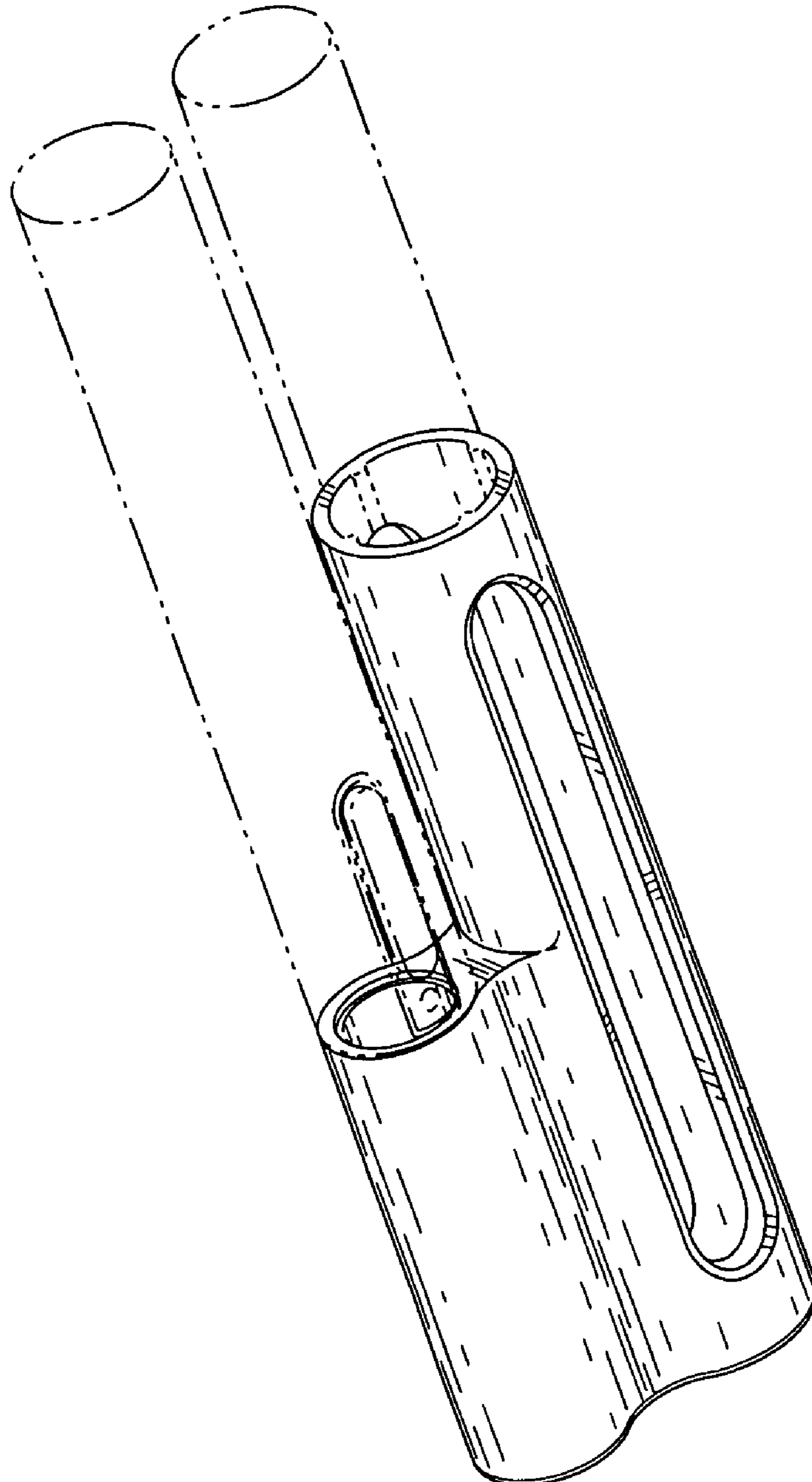


Fig. 1



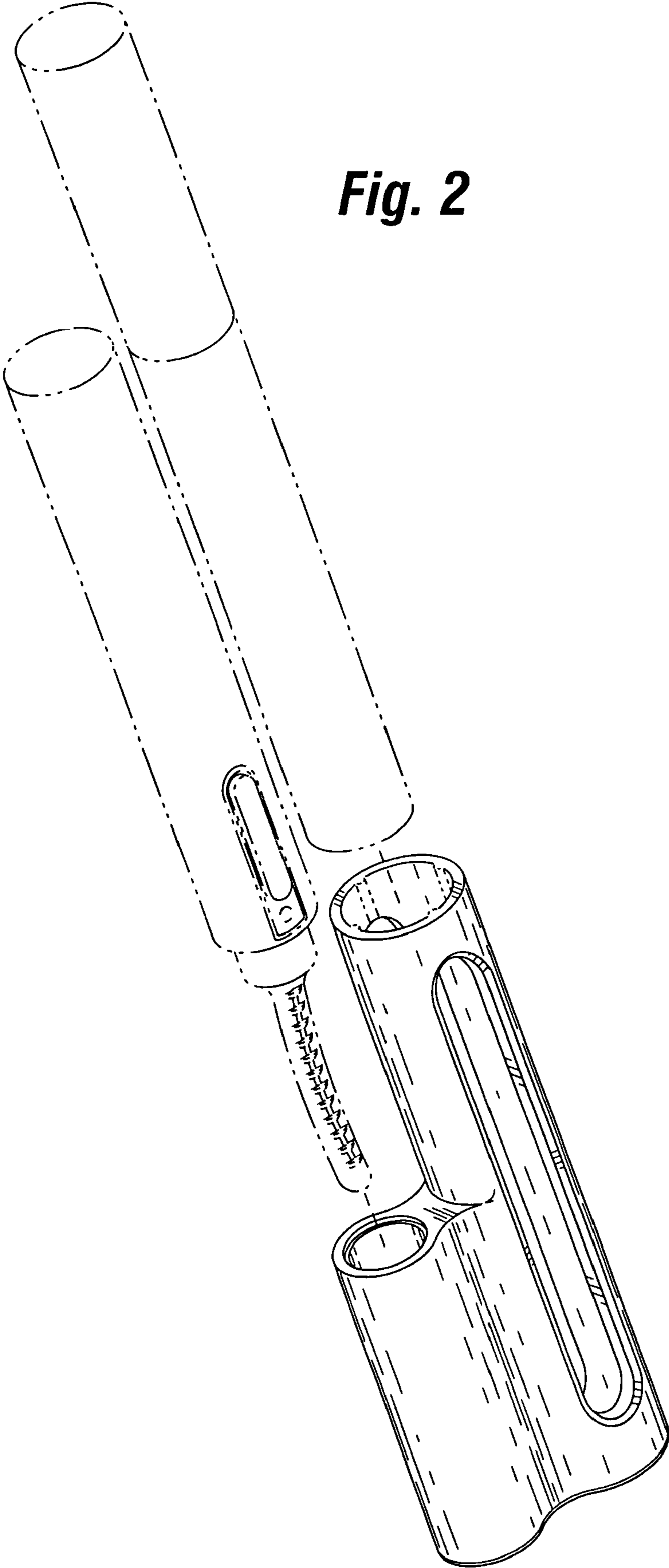


Fig. 2

Fig. 6

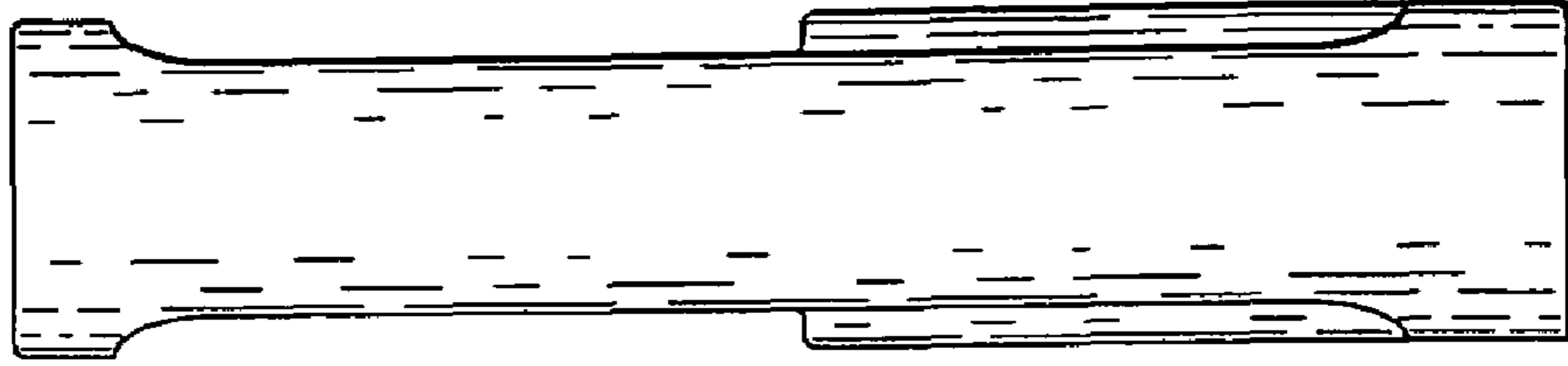


Fig. 5

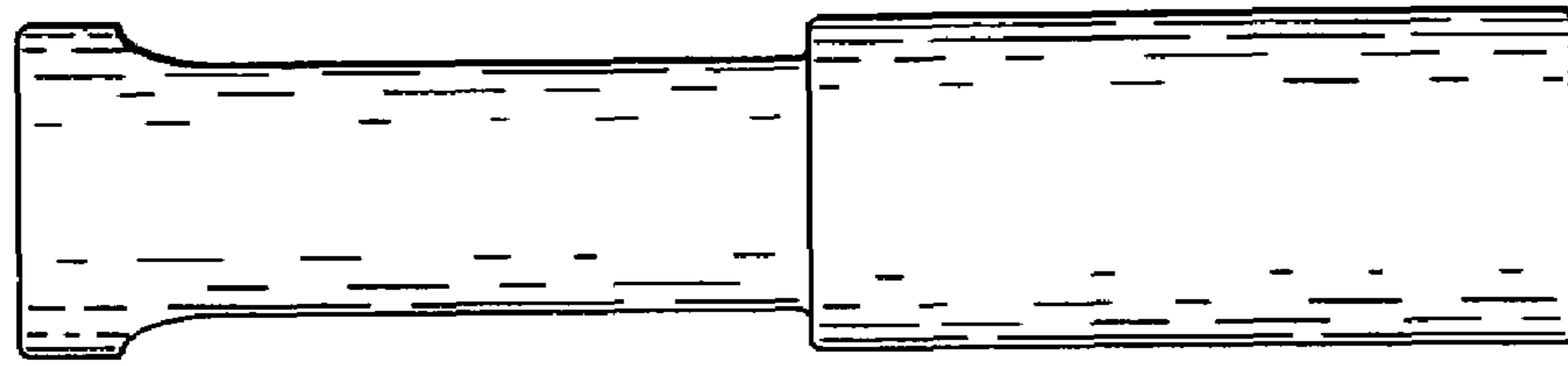


Fig. 4

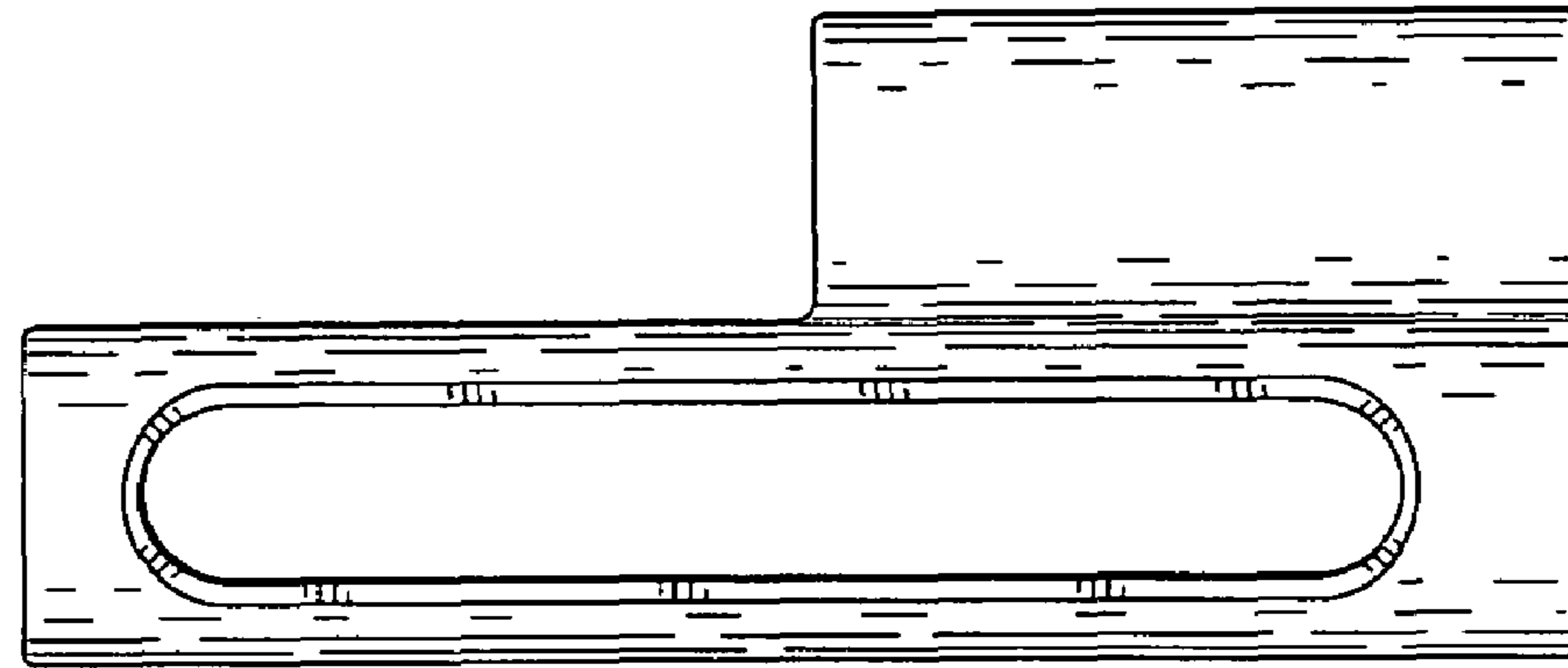


Fig. 3

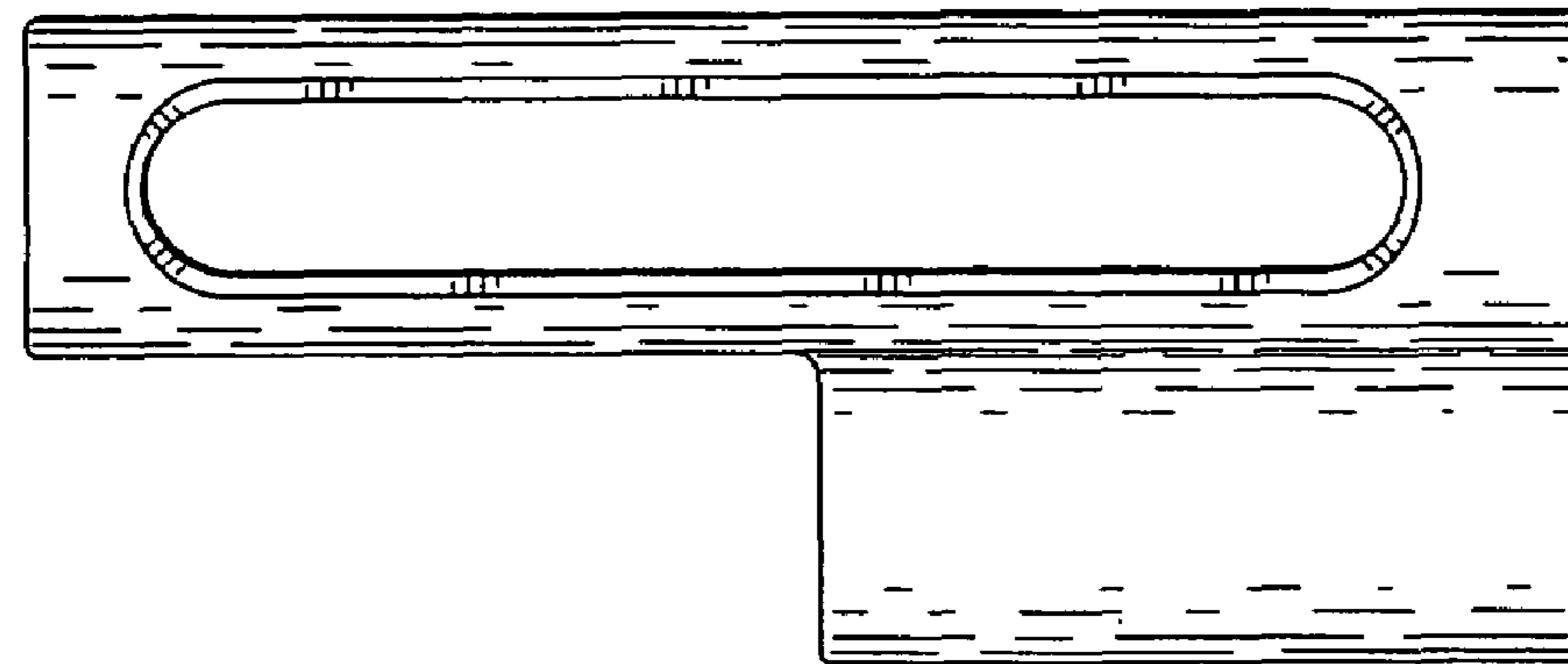


Fig. 7

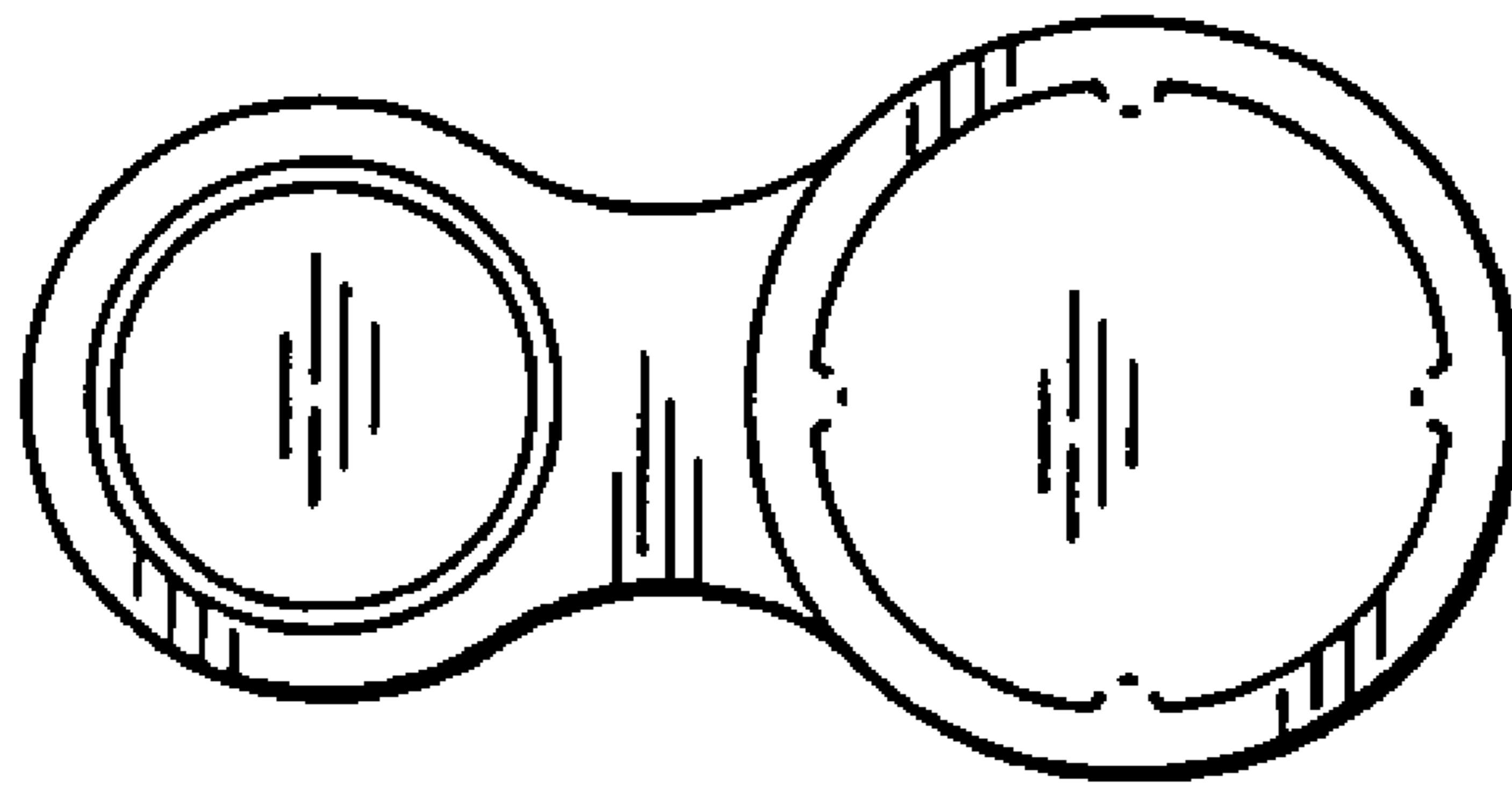


Fig. 8

