



US00D603562S

(12) **United States Design Patent**
Mills

(10) **Patent No.:** **US D603,562 S**
(45) **Date of Patent:** **** Nov. 3, 2009**

(54) **HAIR CARE CADDY**

(76) Inventor: **Manuel D. Mills**, P.O. Box 1073,
Midland, TX (US) 79702

(**) Term: **14 Years**

(21) Appl. No.: **29/322,777**

(22) Filed: **Aug. 12, 2008**

(51) **LOC (9) Cl.** **28-03**

(52) **U.S. Cl.** **D28/73; D28/38**

(58) **Field of Classification Search** **D28/38,**
D28/73; D6/469, 513; 211/60.1, 70.6; 248/176.2,
248/117.1-117.7

See application file for complete search history.

(56) **References Cited**

U.S. PATENT DOCUMENTS

5,036,989	A *	8/1991	Carilli	211/60.1
5,190,169	A *	3/1993	Sincock	211/60.1
D396,133	S *	7/1998	Stein	D28/73
5,917,694	A *	6/1999	Denny	211/70.6
D426,025	S *	5/2000	Holmes et al.	D28/38

D525,657	S *	7/2006	Warren, III	D28/73
D584,856	S *	1/2009	Kirschenmann	D28/73
D584,857	S *	1/2009	Kirschenmann	D28/73

* cited by examiner

Primary Examiner—Jennifer Rivard

(57) **CLAIM**

The ornamental design for a hair care caddy, as shown and described.

DESCRIPTION

FIG. 1 is a front and left side pictorial view of a device according to the present invention;

FIG. 2 is a front view of the device shown in FIG. 1;

FIG. 3 is a rear view of the device shown in FIG. 1;

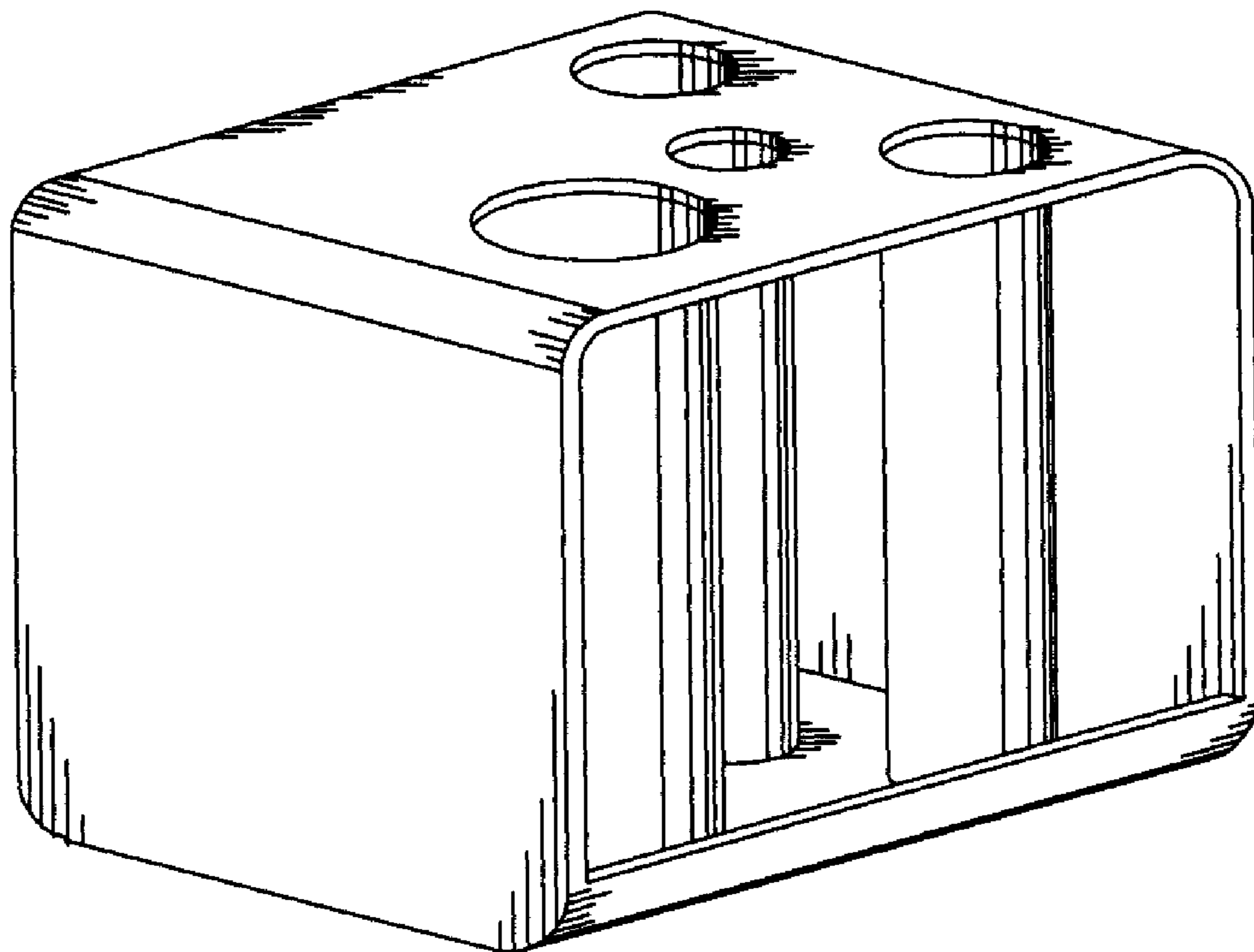
FIG. 4 is a rear pictorial view of the device shown in FIG. 1;

FIG. 5 is a top view of the device shown in FIG. 1;

FIG. 6 is a bottom view of the device shown in FIG. 1; and,

FIG. 7 is a left side view of the device shown in FIG. 1.

1 Claim, 2 Drawing Sheets



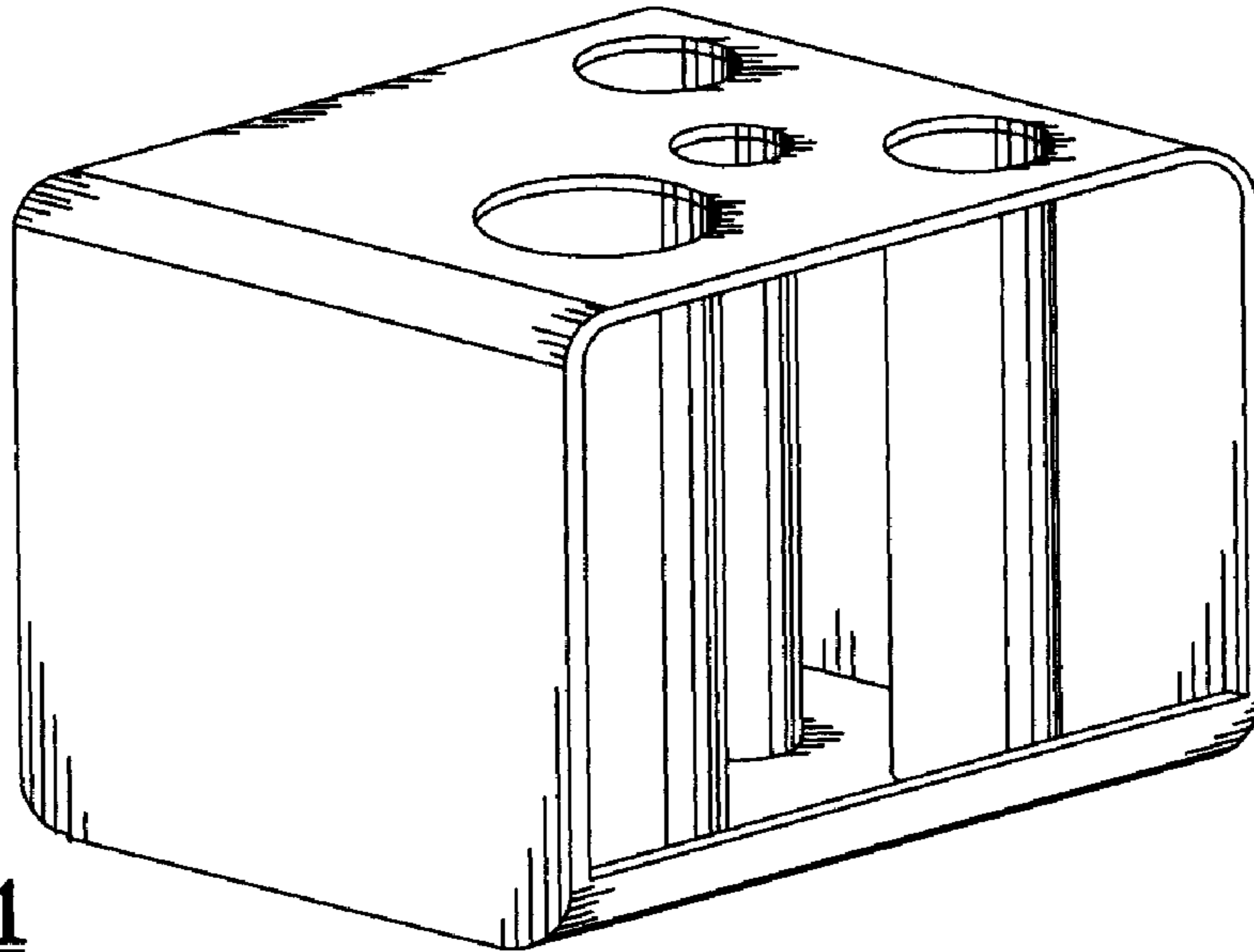


FIG. 1

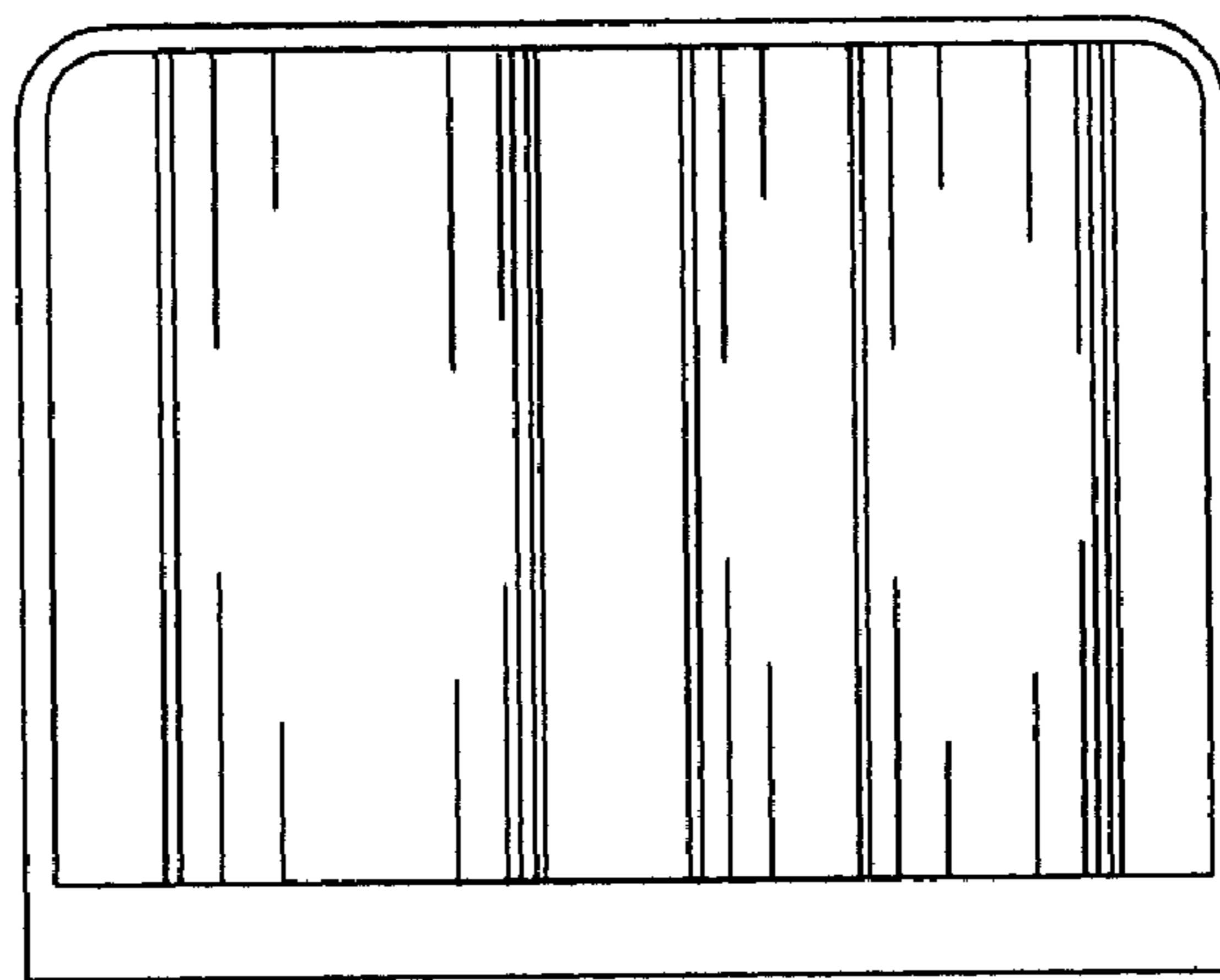


FIG. 2

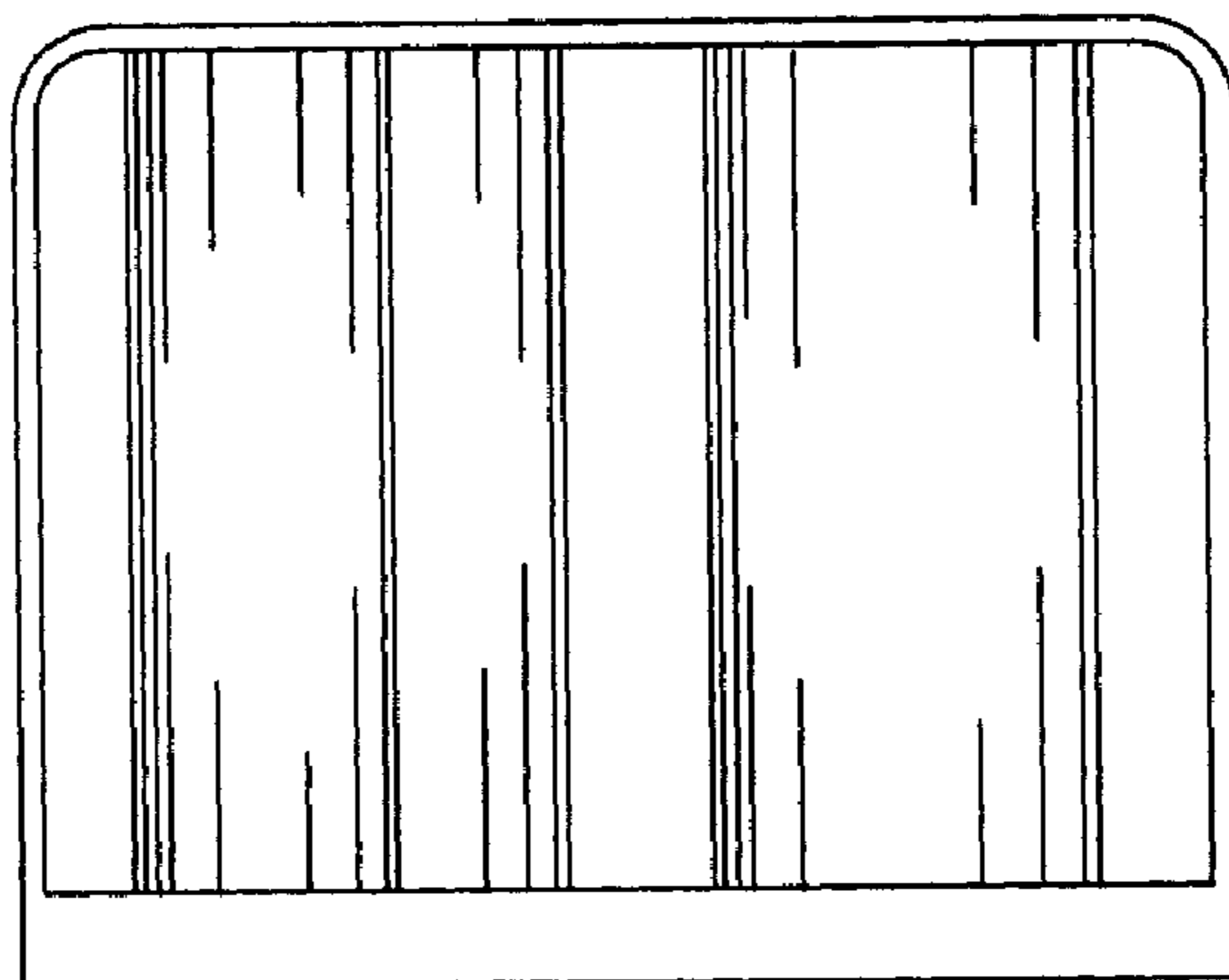


FIG. 3

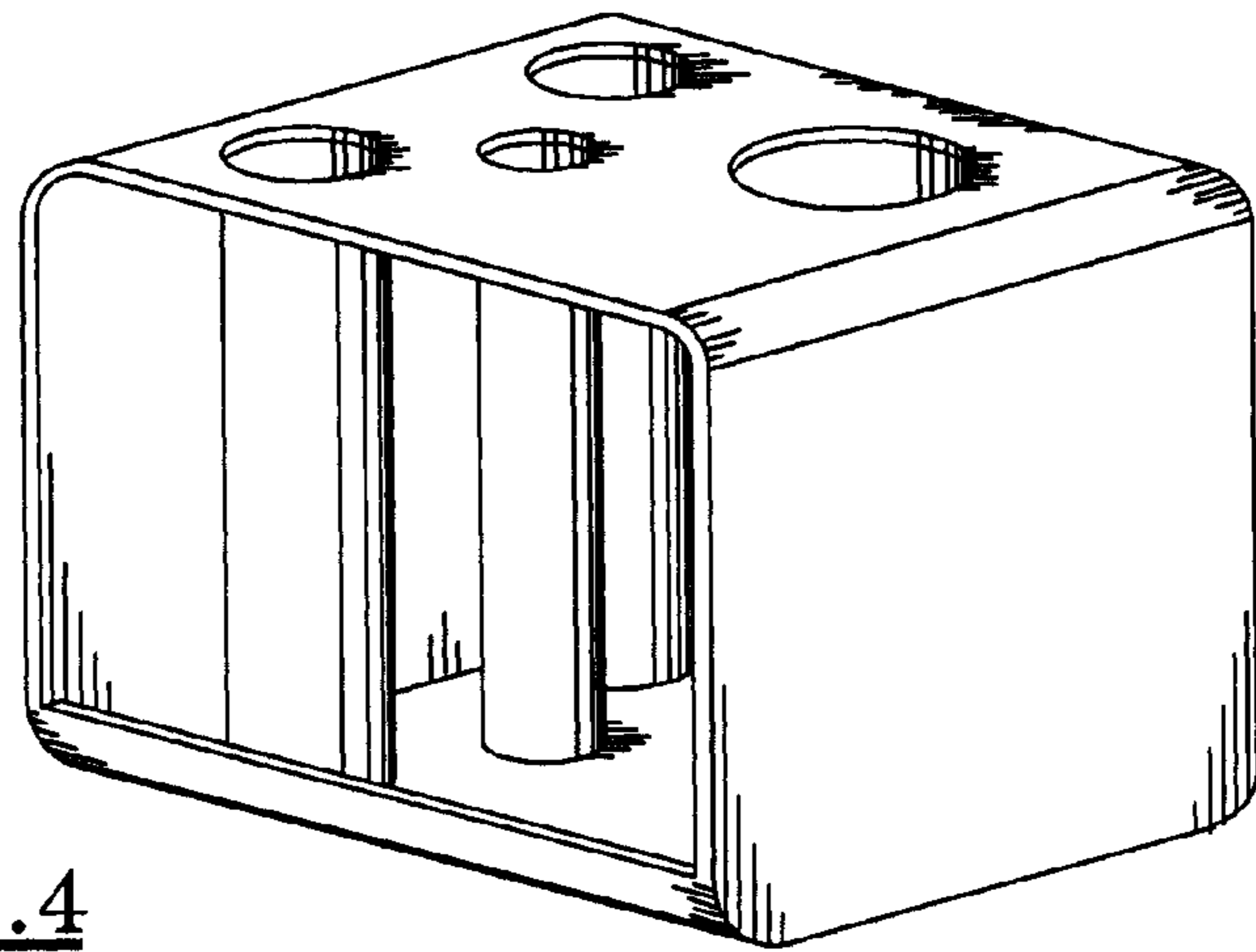


FIG. 4

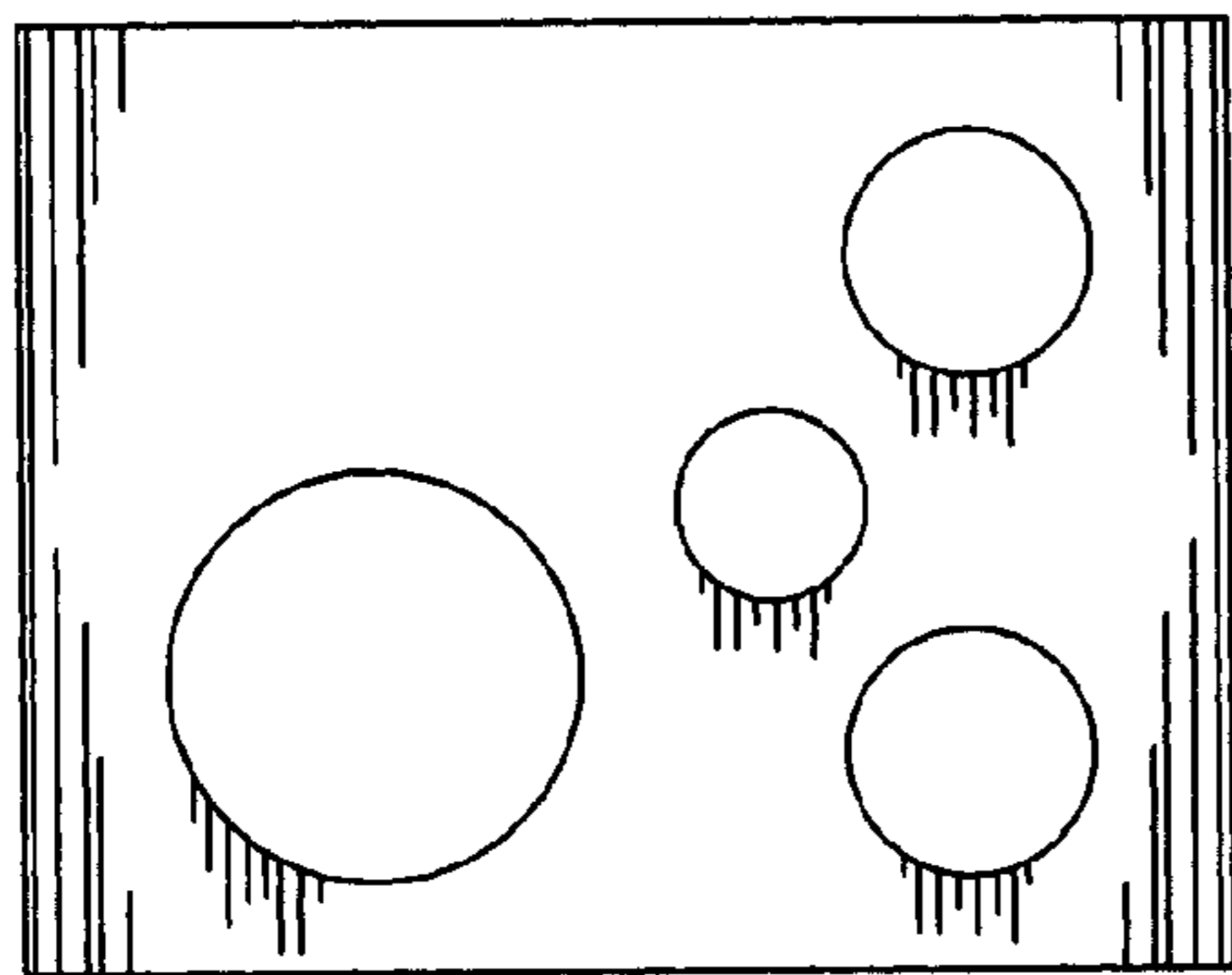


FIG. 5

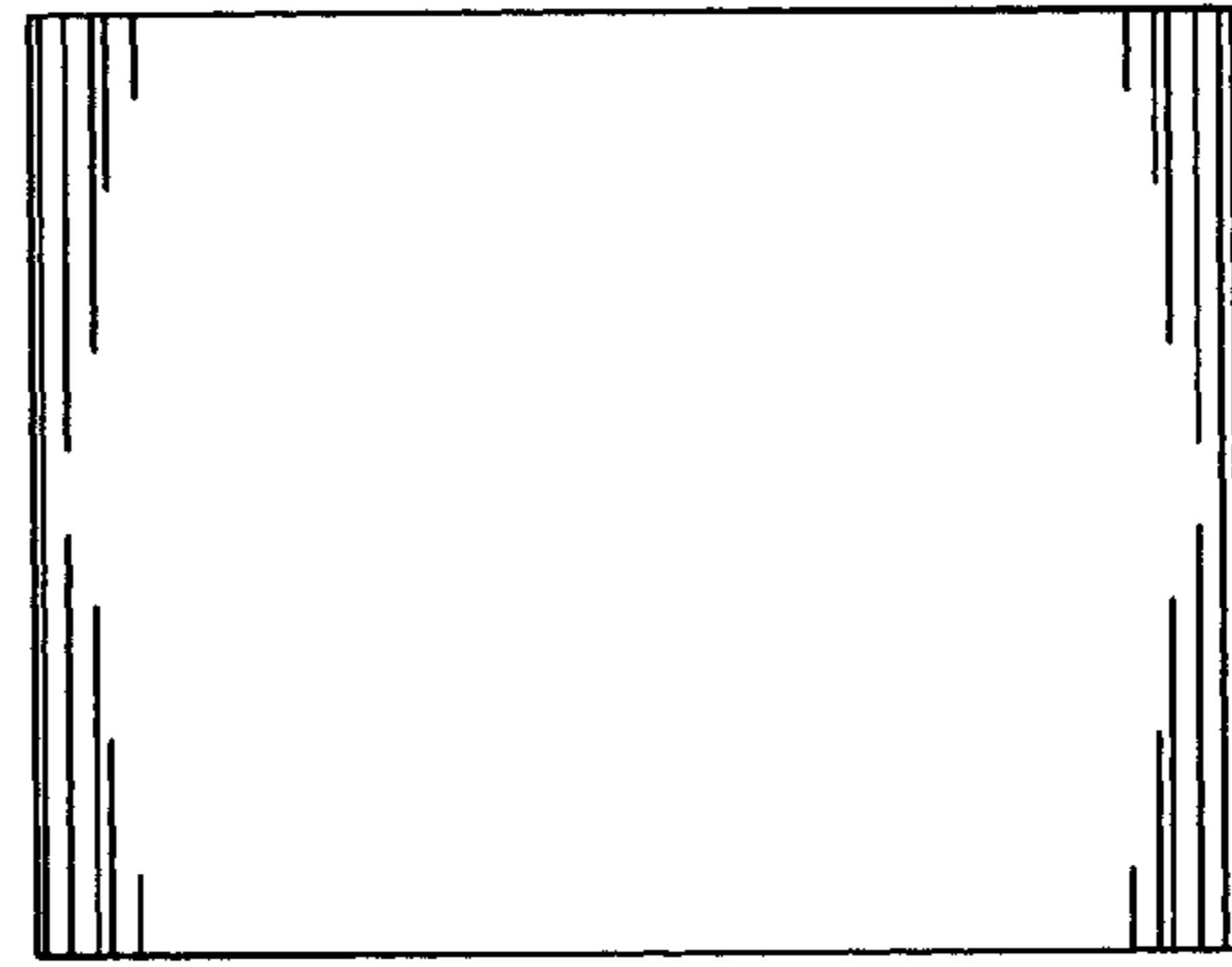


FIG. 6

FIG. 7

