



US00D603553S

(12) **United States Design Patent**
Orozco

(10) **Patent No.:** **US D603,553 S**

(45) **Date of Patent:** **** Nov. 3, 2009**

(54) **LIGHT FIXTURE**

(75) Inventor: **Sergio Orozco**, New York, NY (US)

(73) Assignee: **Chien Luen Industries Co., Ltd., Inc.**,
Fort Lauderdale, FL (US)

(**) Term: **14 Years**

(21) Appl. No.: **29/328,597**

(22) Filed: **Nov. 26, 2008**

(51) **LOC (9) Cl.** **26-03**

(52) **U.S. Cl.** **D26/89; D26/136**

(58) **Field of Classification Search** D26/72,
D26/84, 88, 89, 128, 132-137, 152; 362/147,
362/361, 363, 404, 453

See application file for complete search history.

(56) **References Cited**

U.S. PATENT DOCUMENTS

D38,684 S *	7/1907	Booth	D26/133
D41,035 S *	12/1910	Schnelbach	D26/134
D64,937 S *	6/1924	Stair	D26/128
D76,172 S *	8/1928	Wolter	D26/88
D76,258 S *	9/1928	Owen	D26/134
D110,726 S *	8/1938	MacFadden	D26/88
D151,976 S *	12/1948	Gessler	D26/137
D171,164 S *	12/1953	Morgan	D26/134
D389,943 S	1/1998	Miranda		
D389,950 S *	1/1998	Chiang	D26/134
D405,911 S *	2/1999	Hsu	D26/133
D413,406 S *	8/1999	Hsu	D26/134
D422,072 S	3/2000	Blateri		
D484,233 S	12/2003	Bucher et al.		
D485,346 S	1/2004	Bucher et al.		
D532,921 S	11/2006	Flores		

D556,317 S	11/2007	Hidalgo
D556,881 S	12/2007	Bucher et al.
D558,386 S	12/2007	Bickler et al.
D559,436 S	1/2008	Flores
D560,299 S	1/2008	Bucher et al.
D561,385 S	2/2008	Bucher et al.
D563,541 S	3/2008	Bucher et al.
D563,591 S	3/2008	Hsu
D574,985 S	8/2008	Bucher et al.
D578,243 S	10/2008	Salatto-Rose

* cited by examiner

Primary Examiner—Clare E Heflin

(74) *Attorney, Agent, or Firm*—Brian S. Steinberger; Law
Offices of Brian S. Steinberger, P.A.

(57) **CLAIM**

The ornamental design for a light fixture, as shown and
described.

DESCRIPTION

FIG. 1 is a lower front side perspective view of the light
fixture.

FIG. 2 is an upper front side perspective view of the design of
FIG. 1.

FIG. 3 is a front side view of the design of FIG. 1.

FIG. 4 is a rear side view of the design of FIG. 1.

FIG. 5 is a left side view of the design of FIG. 1.

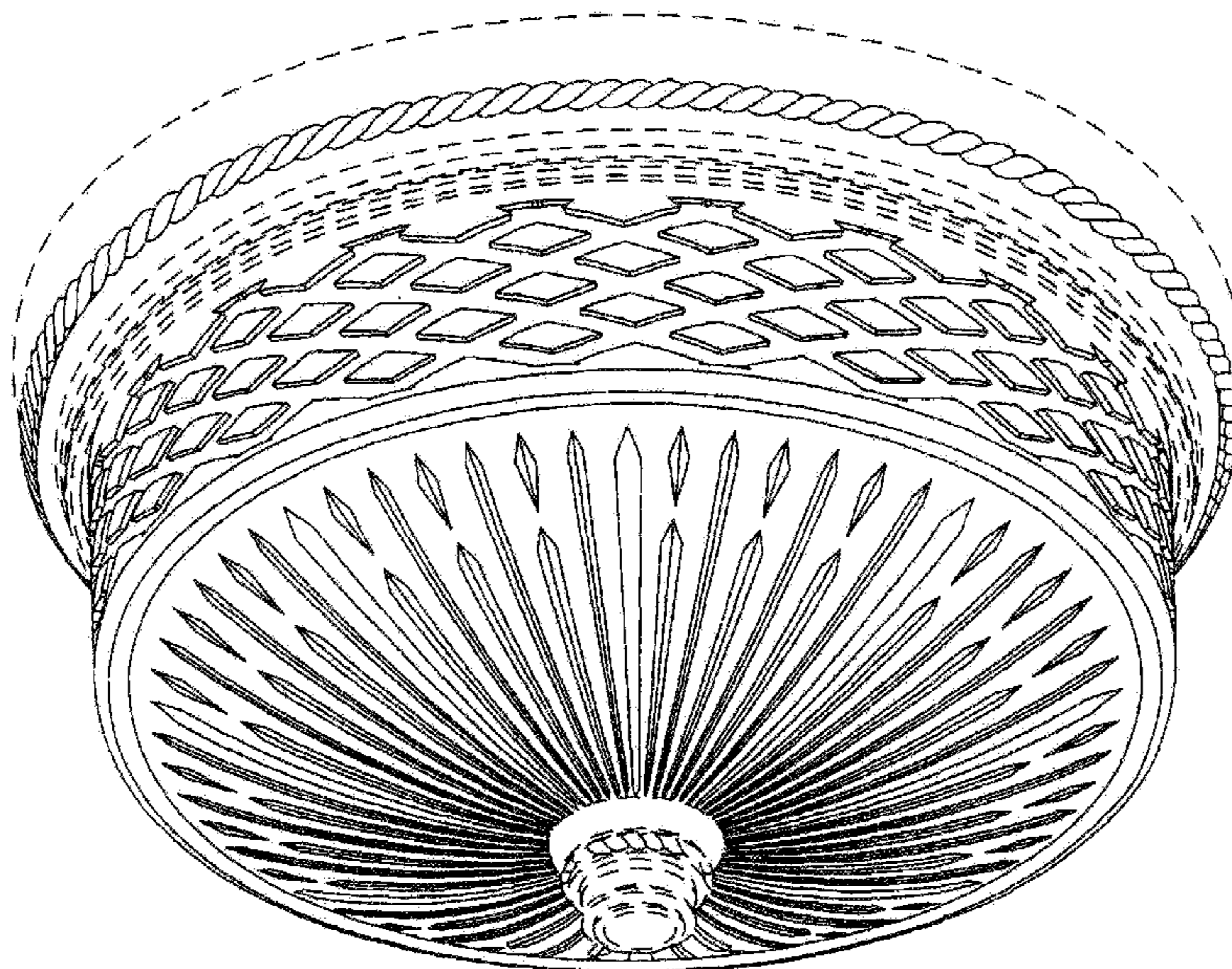
FIG. 6 is a right side view of the design of FIG. 1.

FIG. 7 is a top view of the design of FIG. 1; and,

FIG. 8 is a bottom view of the design of FIG. 1.

The broken lines in the figures are for illustrative purposes
and form no part of the claimed design.

1 Claim, 8 Drawing Sheets



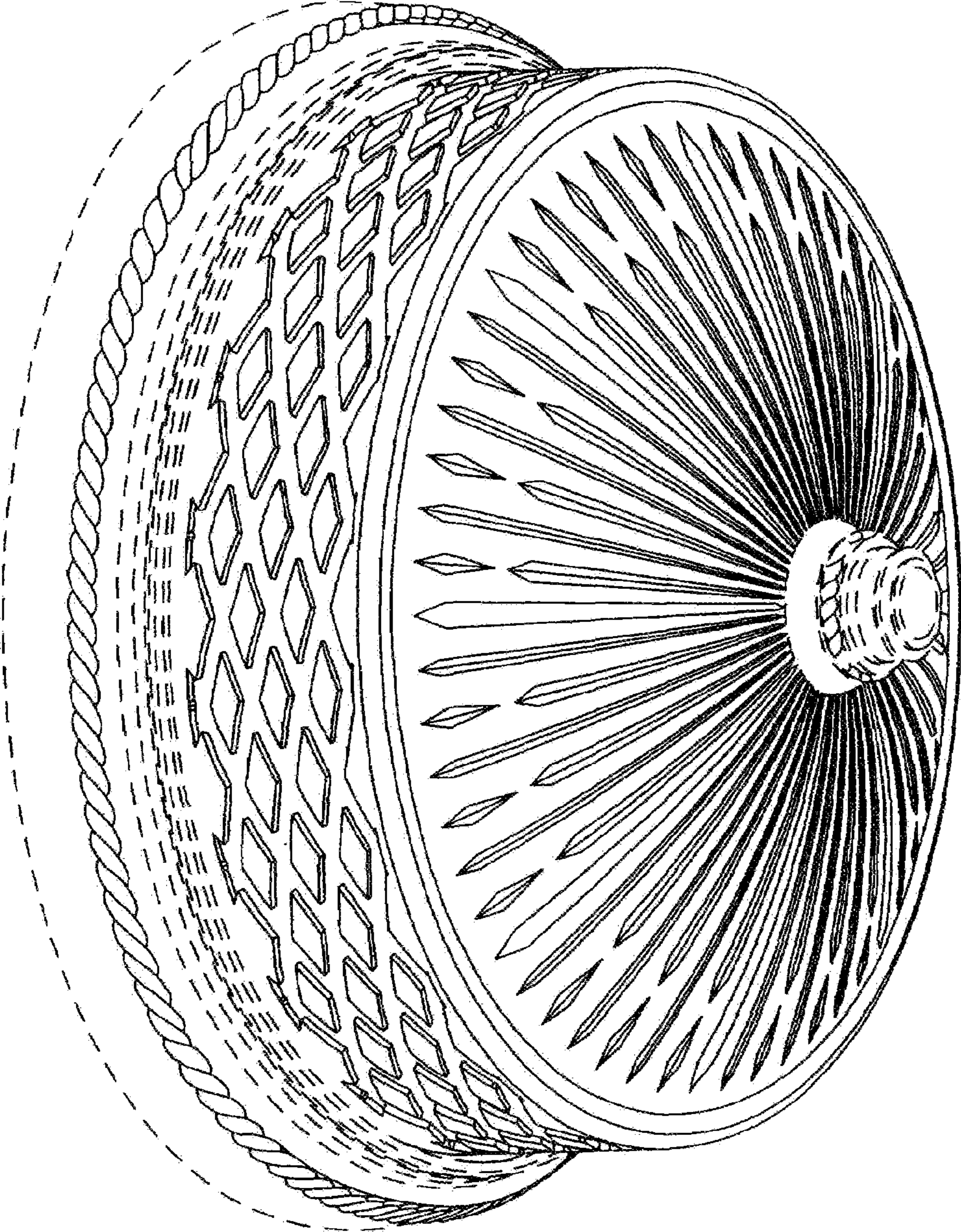


Fig. 1

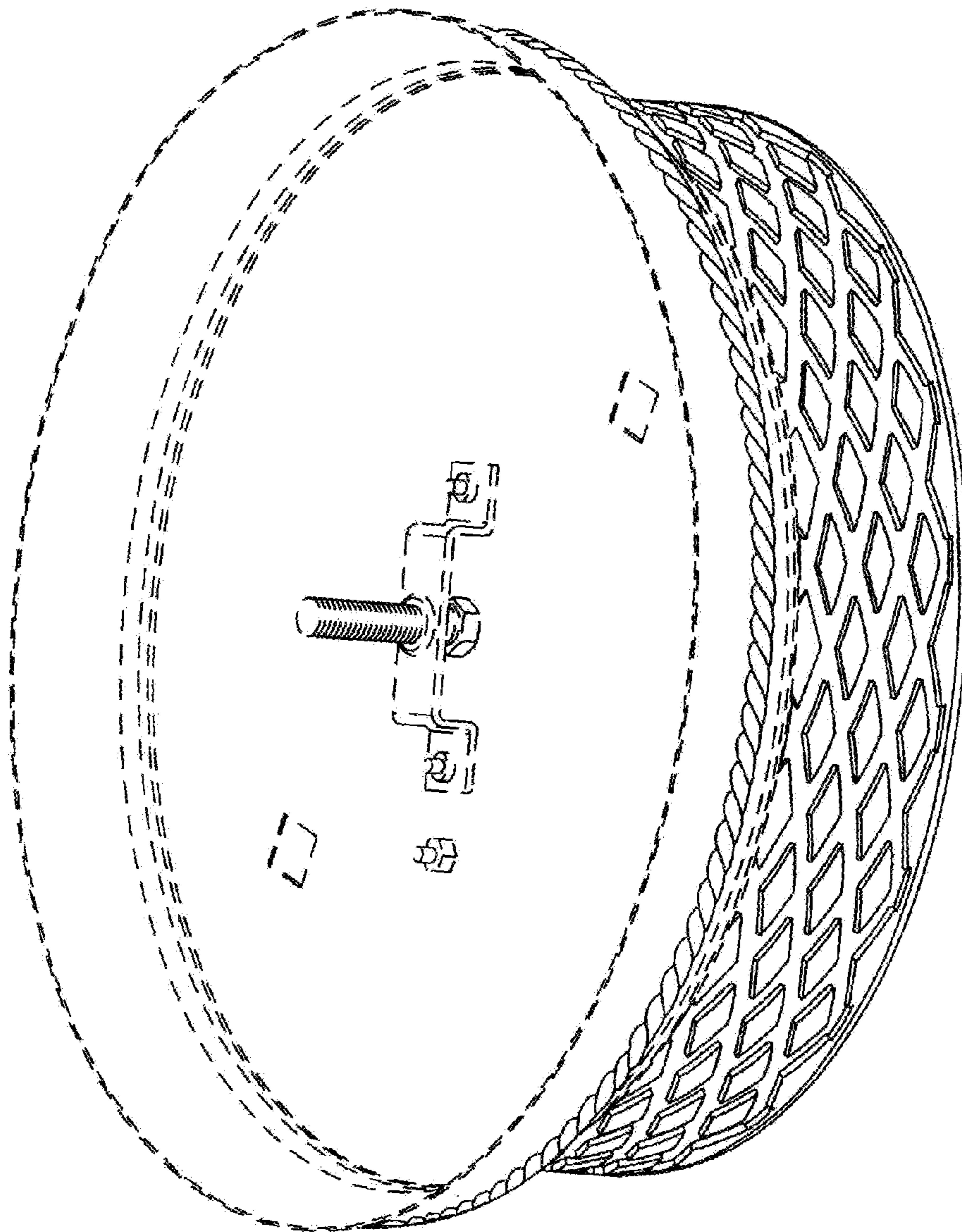


Fig. 2

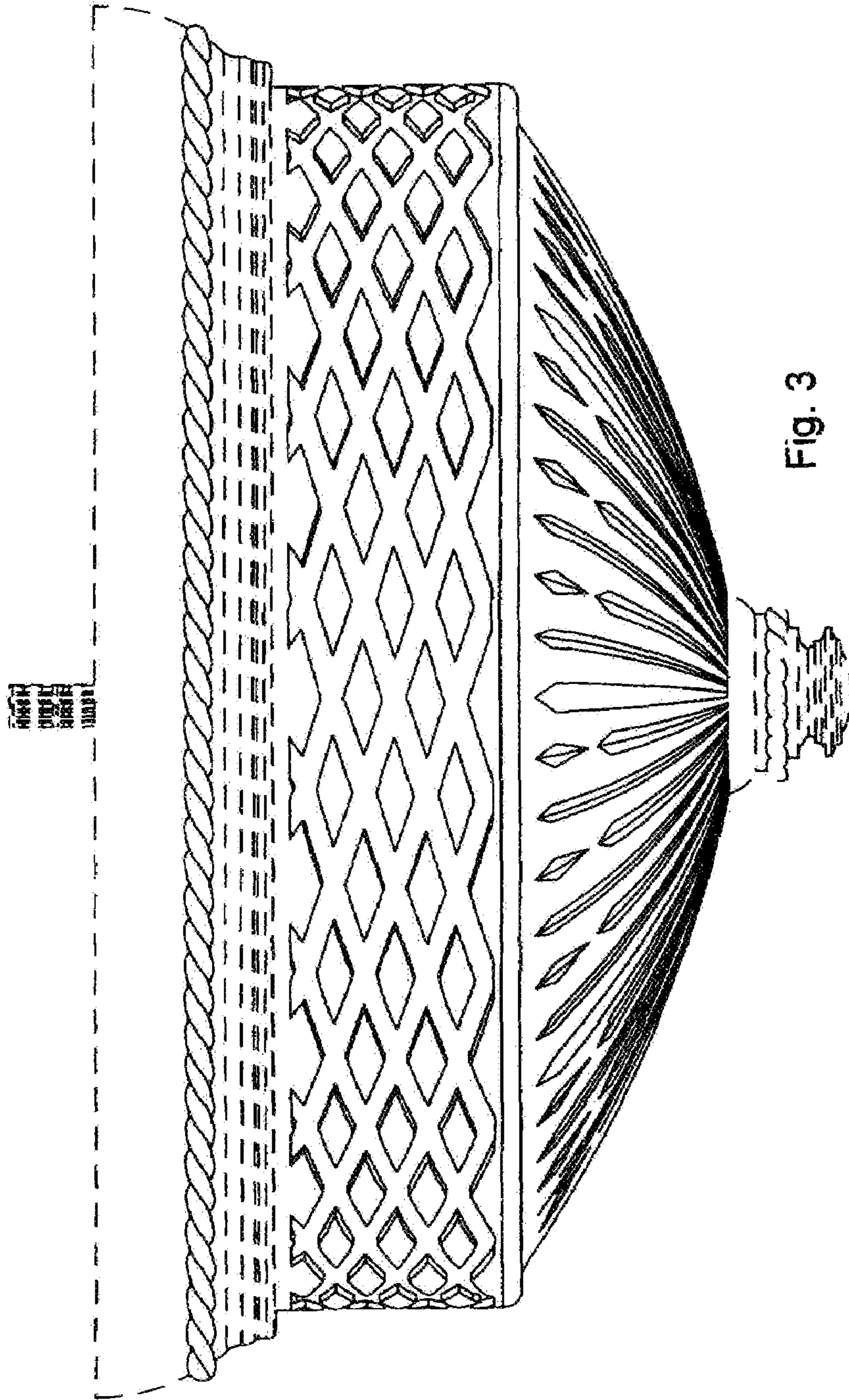


Fig. 3

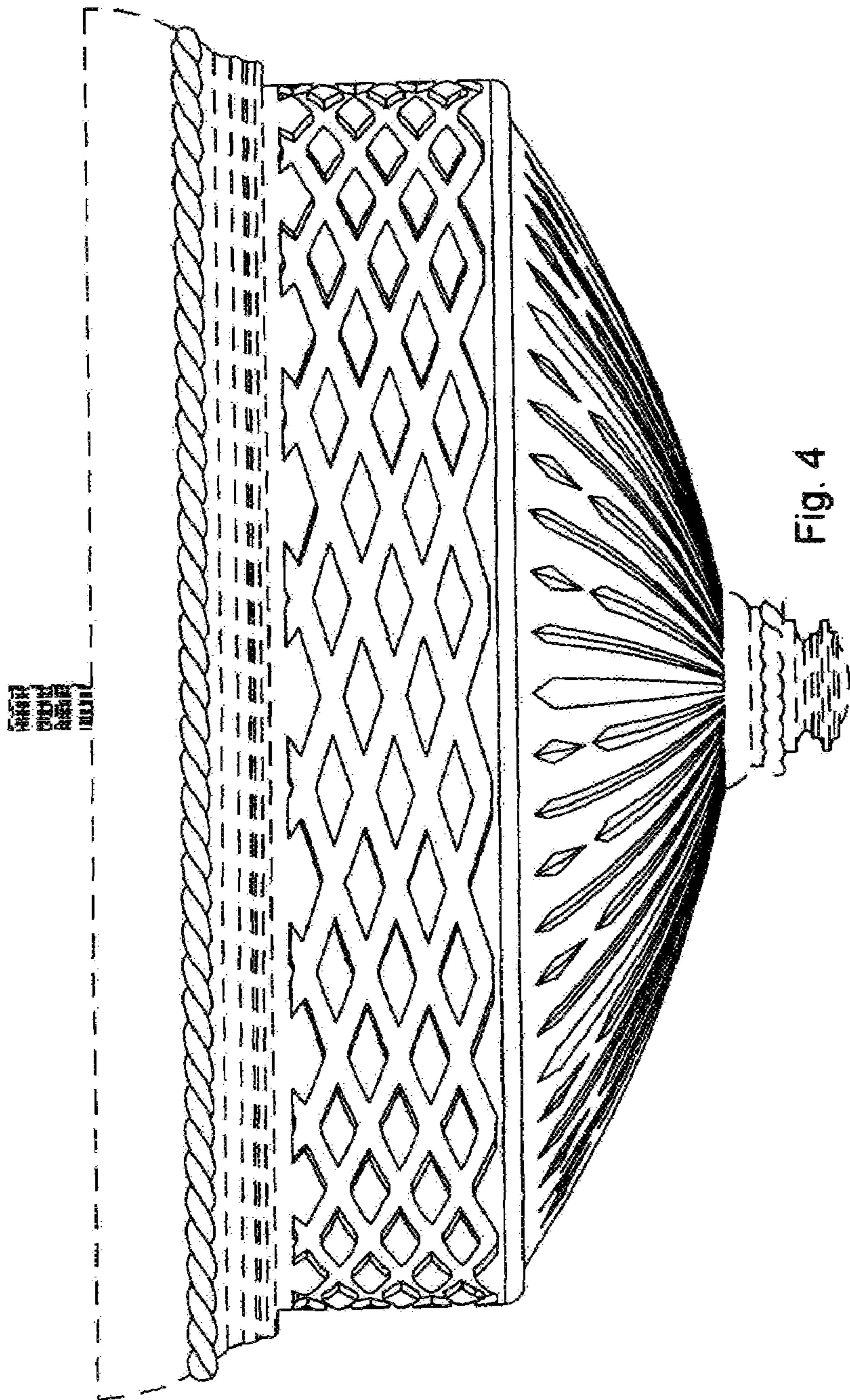


Fig. 4

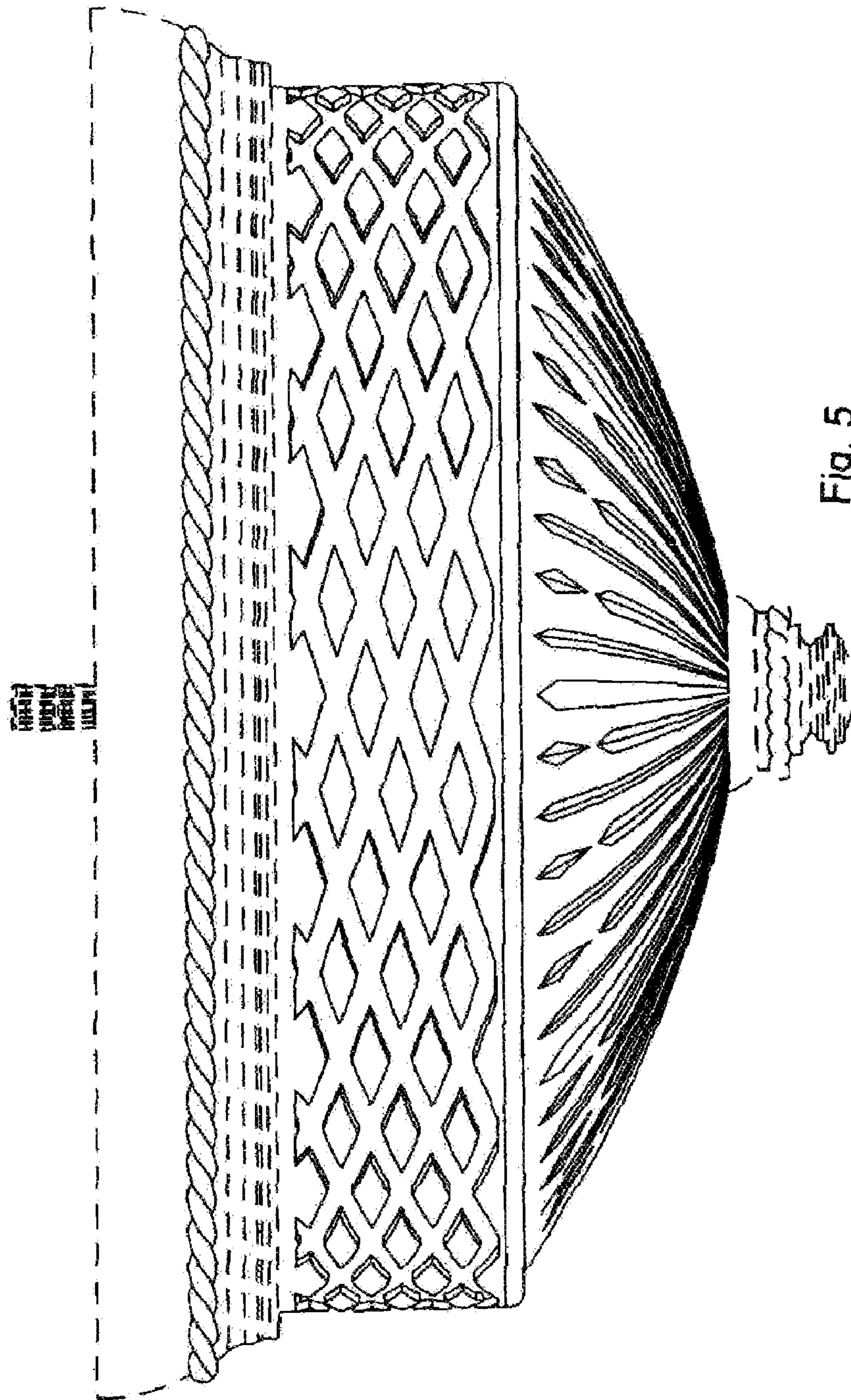


Fig. 5

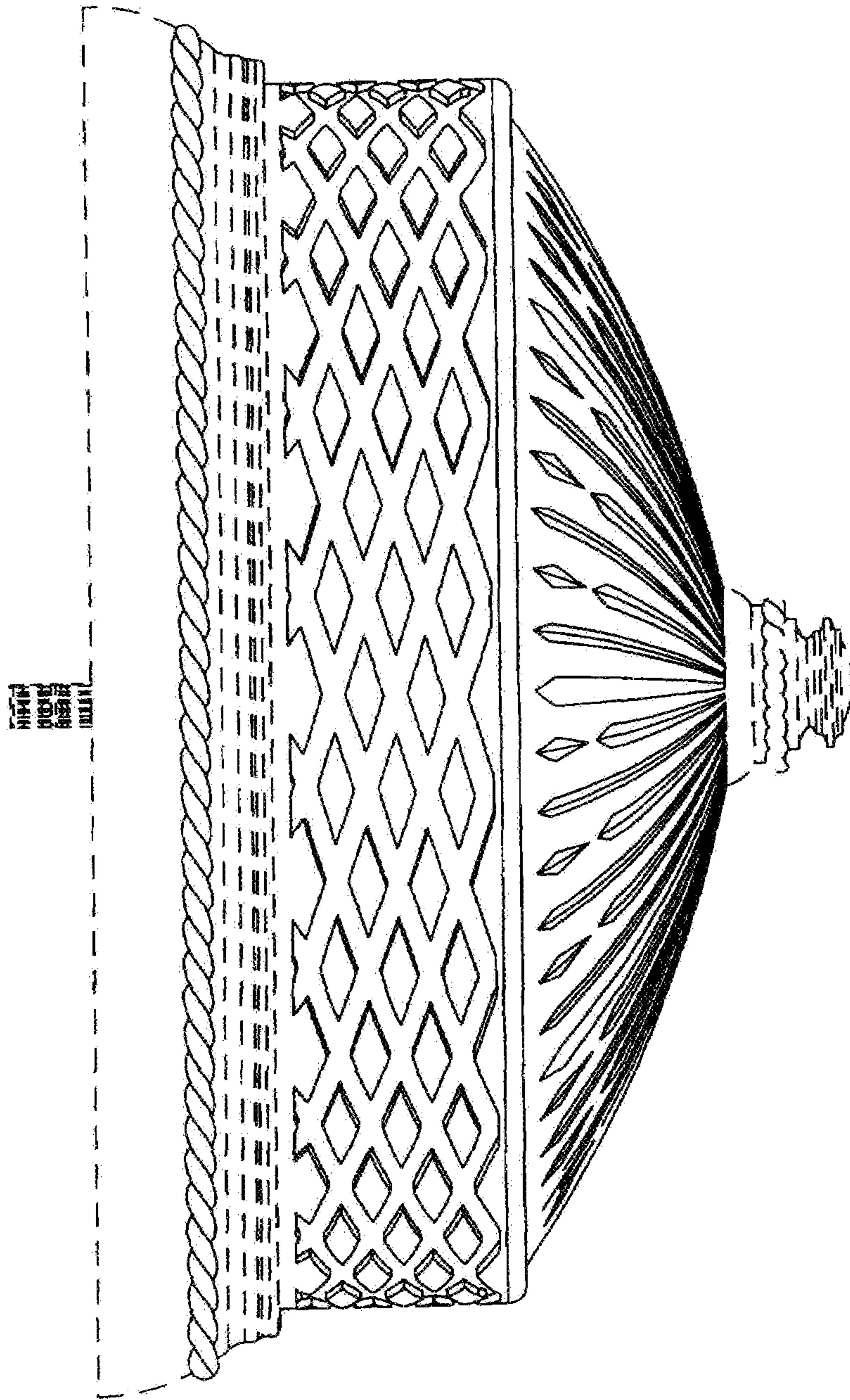


Fig. 6

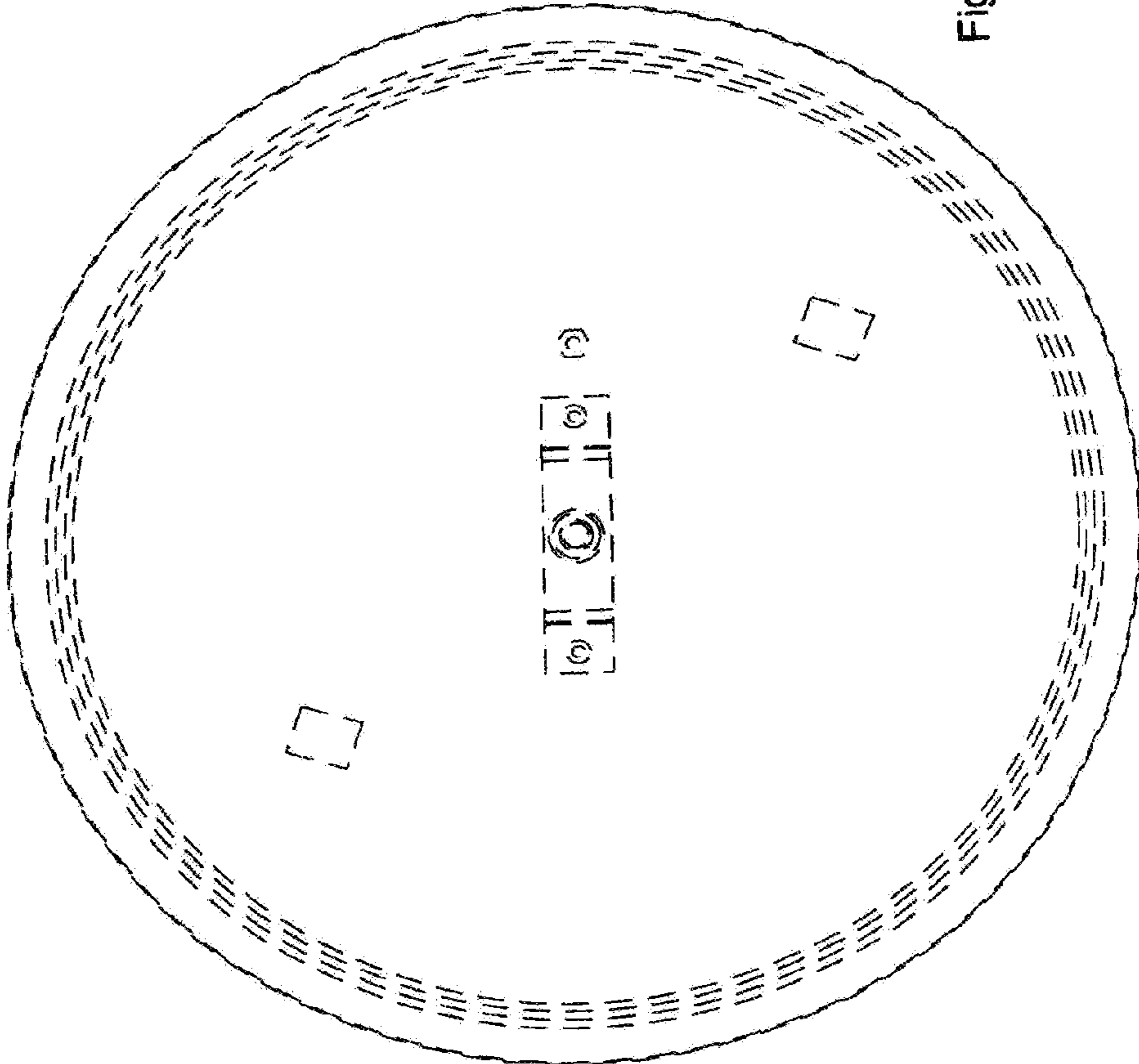


Fig. 7

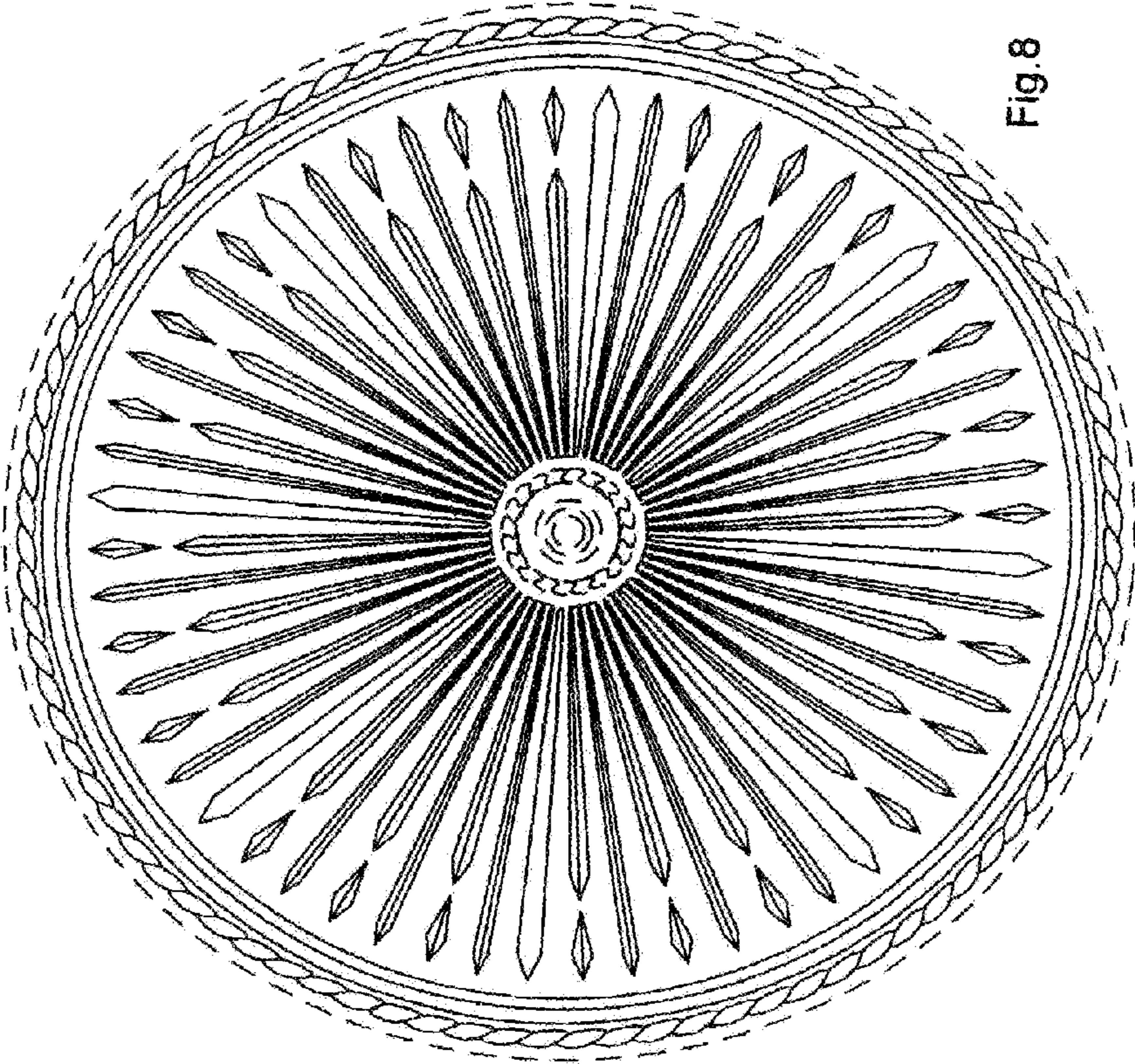


Fig. 8