



US00D603549S

(12) **United States Design Patent**
Ng

(10) **Patent No.:** **US D603,549 S**
(45) **Date of Patent:** **** Nov. 3, 2009**

(54) **UNDER CABINET LED LIGHT**

Primary Examiner—Clare E Heflin

(76) **Inventor:** **Edmund Ng**, 2570 Corporate Pl., Suite E101, Monterey Park, CA (US) 91754

(57) **CLAIM**

The ornamental design for an under cabinet LED light, as shown and described.

(**) **Term:** **14 Years**

(21) **Appl. No.:** **29/314,732**

(22) **Filed:** **Apr. 23, 2009**

DESCRIPTION

(51) **LOC (9) Cl.** **26-05**

FIG. 1 is a perspective view of an under cabinet LED light showing my new design;

(52) **U.S. Cl.** **D26/80**

FIG. 2 is a top view thereof;

(58) **Field of Classification Search** D26/24,
D26/72, 75–78, 80, 85; 362/133, 147, 217.01,
362/219, 221–225, 217.02, 217.08, 217.09,
362/217.1, 217.16

FIG. 3 is a bottom view thereof;

FIG. 4 is a cross-sectional view taken along lines 4—4 of FIG. 3;

See application file for complete search history.

FIG. 5 is a left side view thereof, the left side view being a mirror image of the right side view;

(56) **References Cited**

U.S. PATENT DOCUMENTS

FIG. 6 is a front side view thereof, the rear side view being a mirror image of the right side view;

D140,107 S *	1/1945	Lippincott	D26/76
D187,337 S *	3/1960	Arnold	D26/76
D247,756 S *	4/1978	Nagelkerke	D26/77
D397,480 S *	8/1998	Herst et al.	D26/77
D426,338 S *	6/2000	Herst et al.	D26/75
D461,923 S *	8/2002	Chelf	D26/76
6,793,368 B2 *	9/2004	Ladstatter	362/217.07
D580,087 S *	11/2008	Couture et al.	D26/76
D595,887 S *	7/2009	Blom	D26/76
D597,242 S *	7/2009	Purcell	D26/76

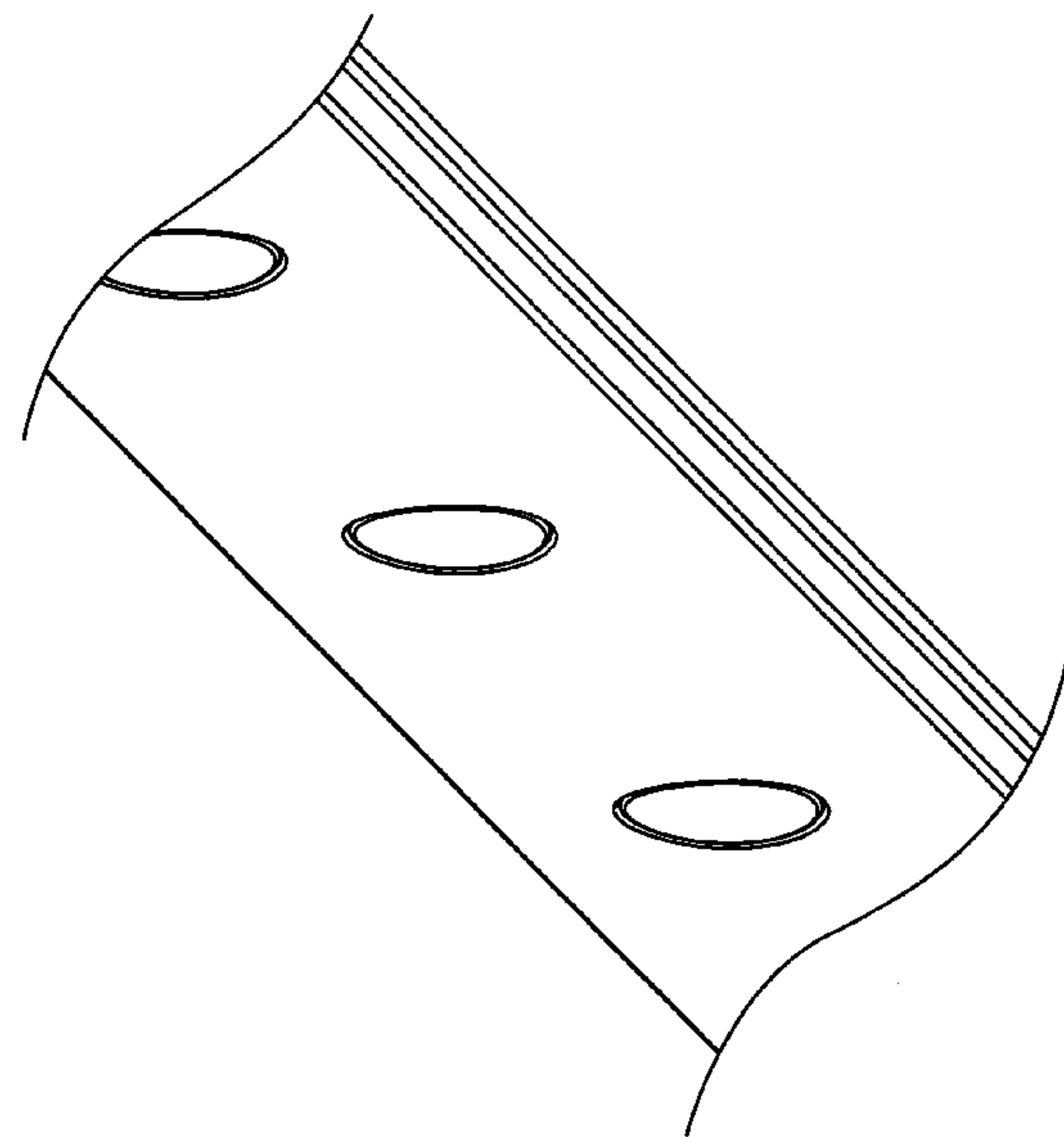
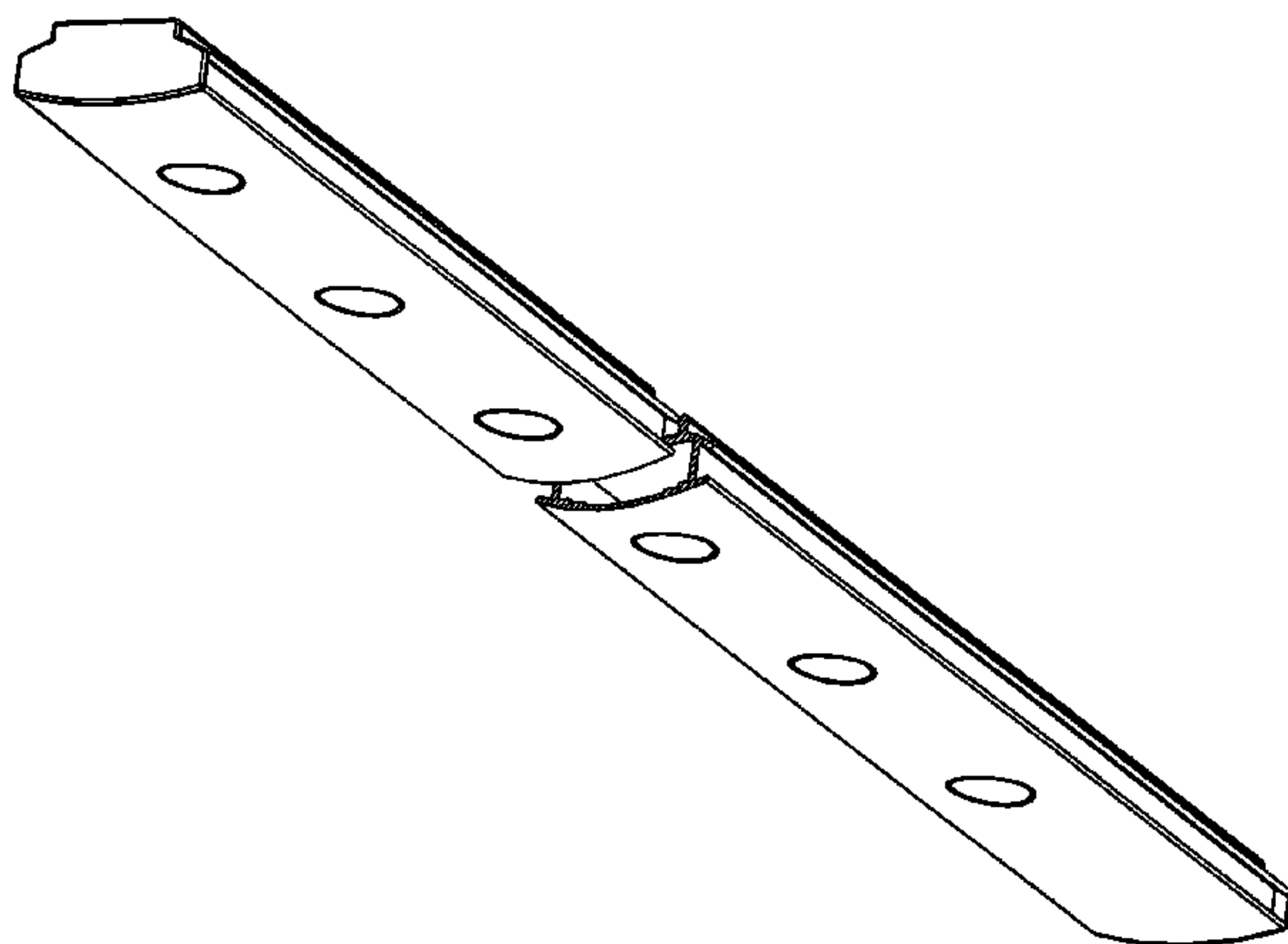
FIG. 7 is an enlarged fragmentary bottom view of the LED light sources shown; and,

FIG. 8 is an enlarged fragmentary perspective view of the LED light sources shown.

The under cabinet LED light has been broken away in the middle in FIGS. 1, 2, 3 and 6 of the drawing to indicate indeterminate length, it is being understood that the design repeats uniformly throughout its length.

* cited by examiner

1 Claim, 7 Drawing Sheets



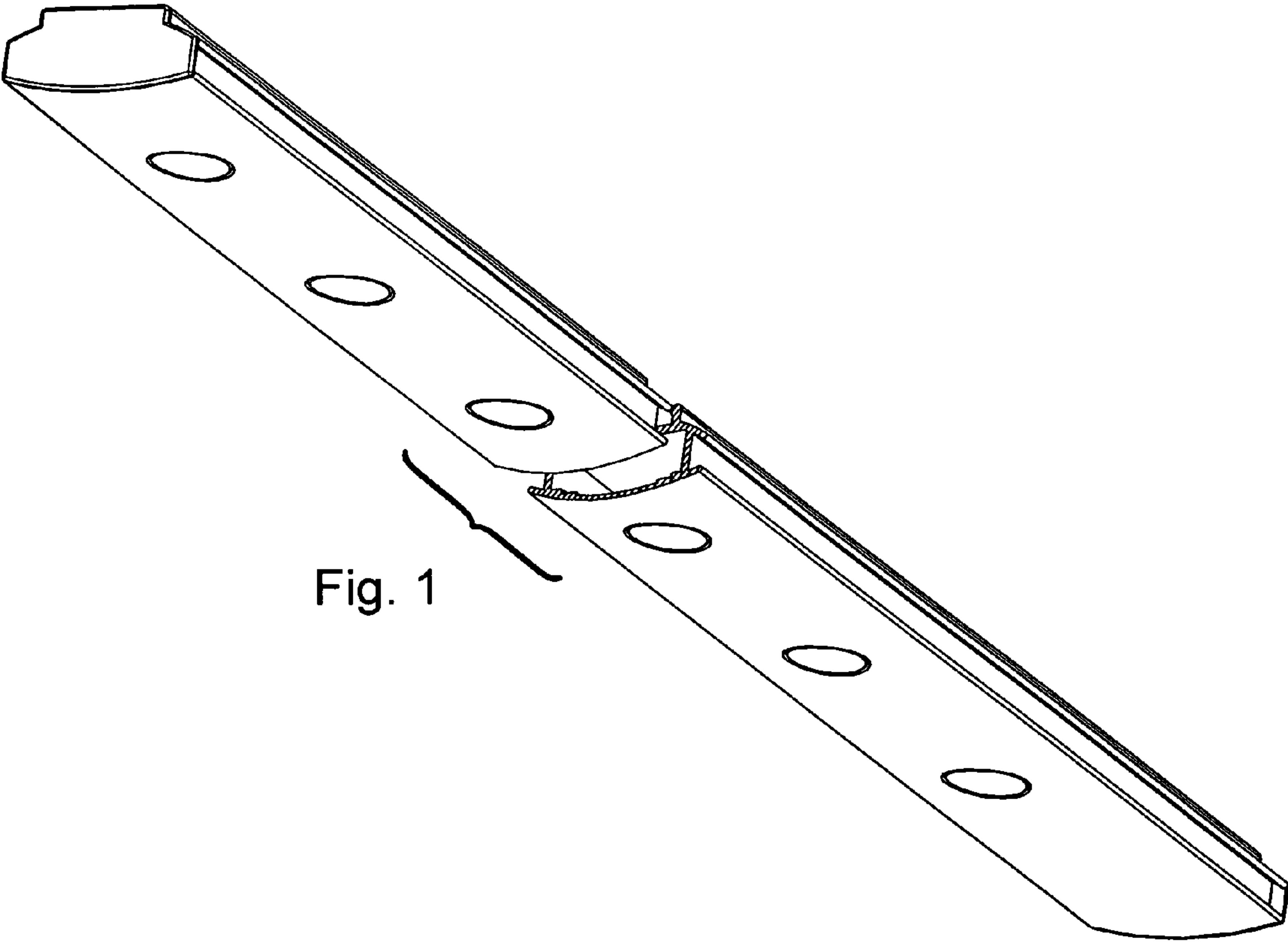


Fig. 1

Fig. 2

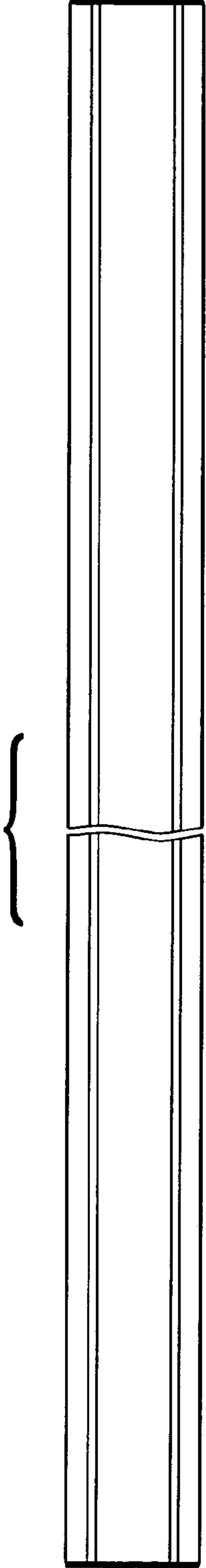
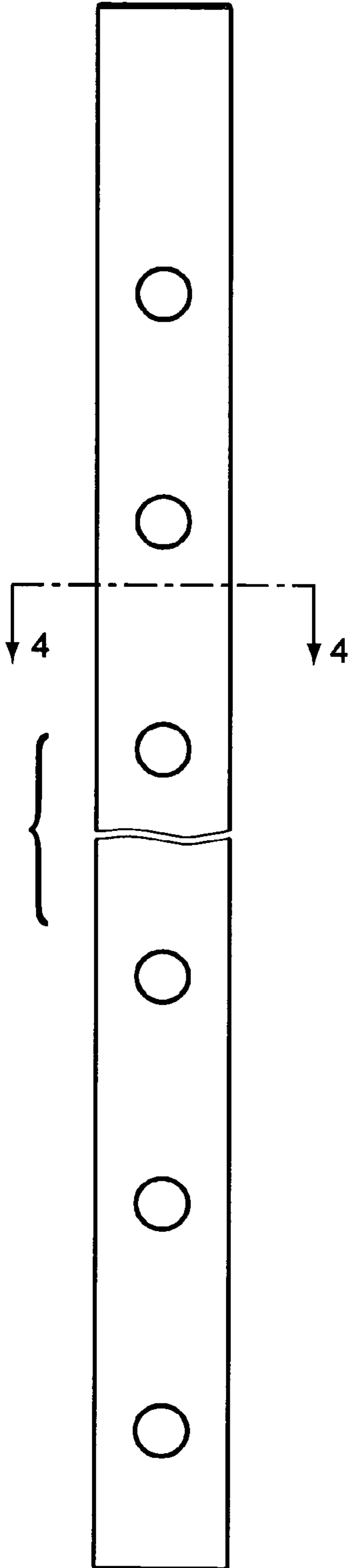


Fig. 3



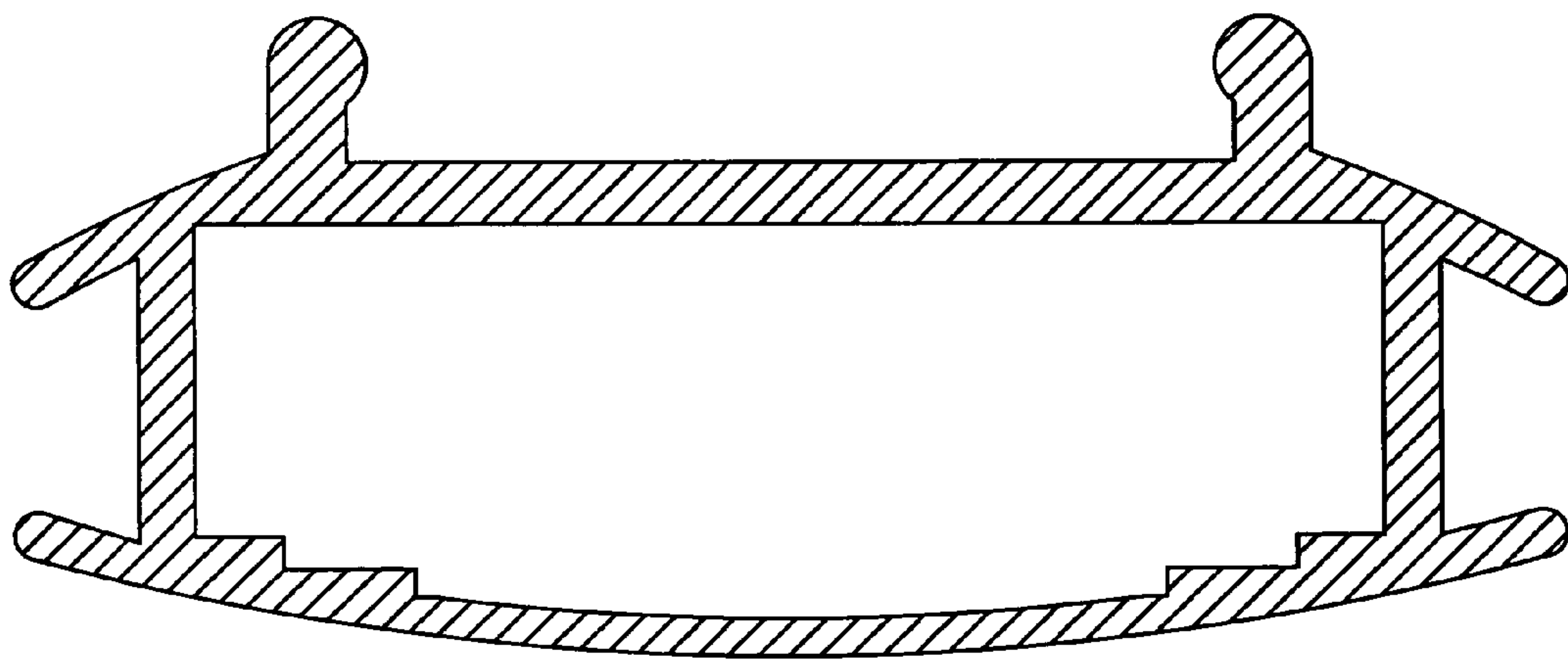


Fig. 4

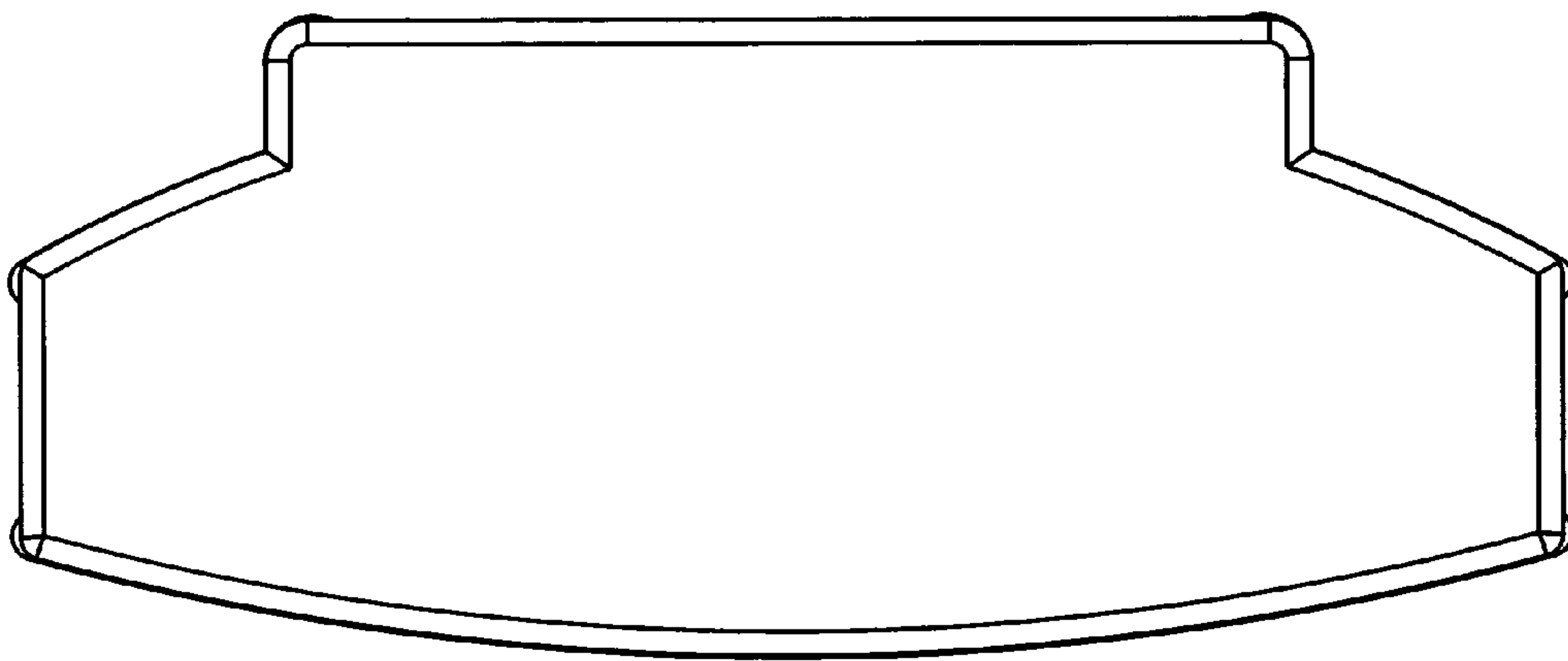
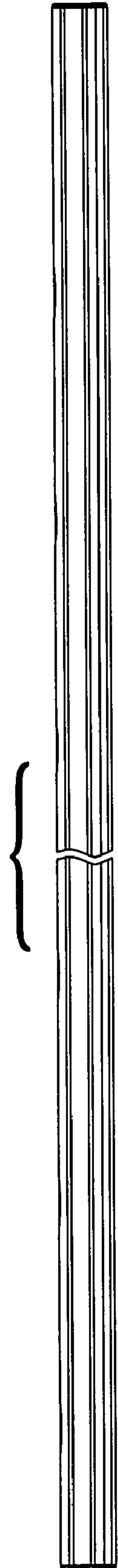


Fig. 5

Fig. 6



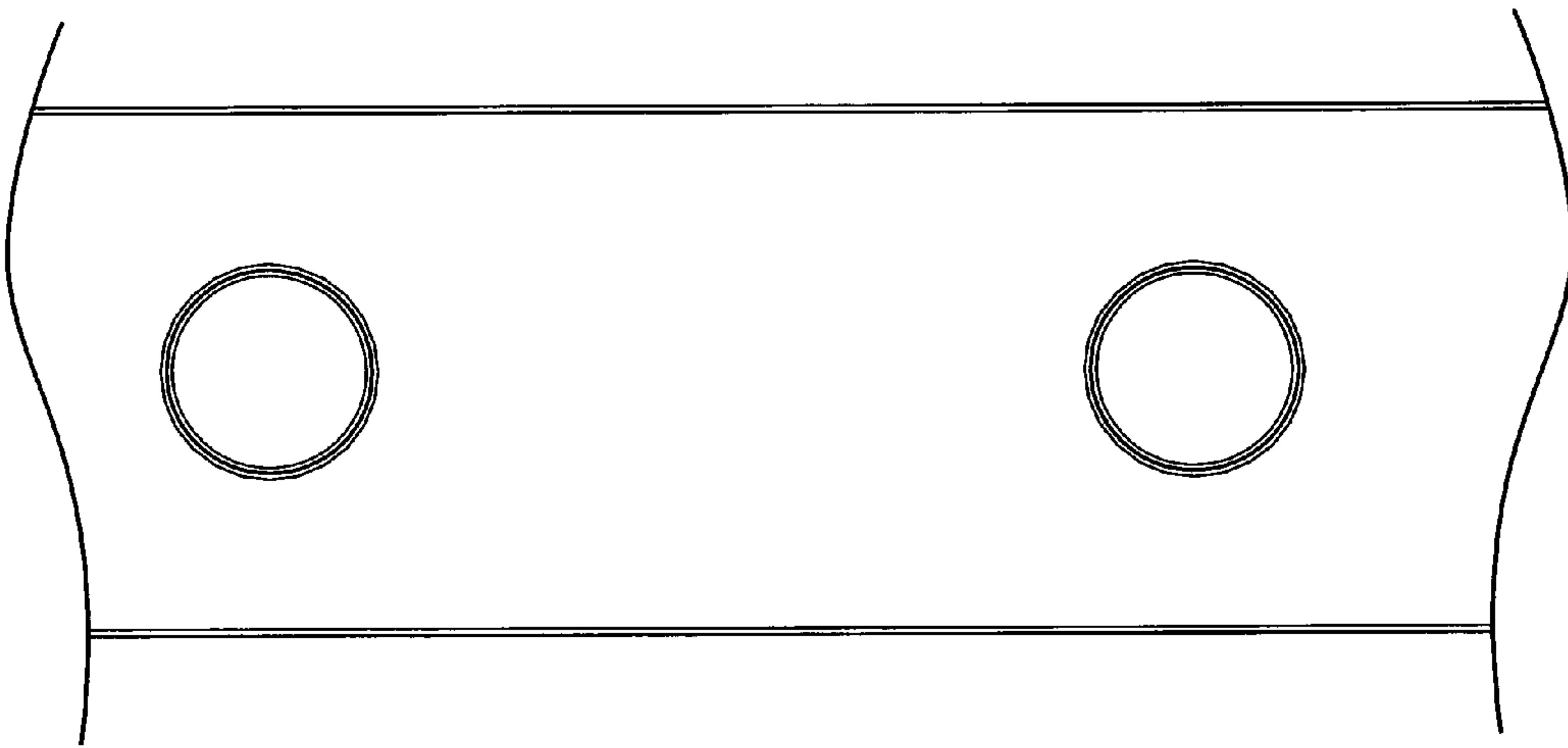


Fig. 7

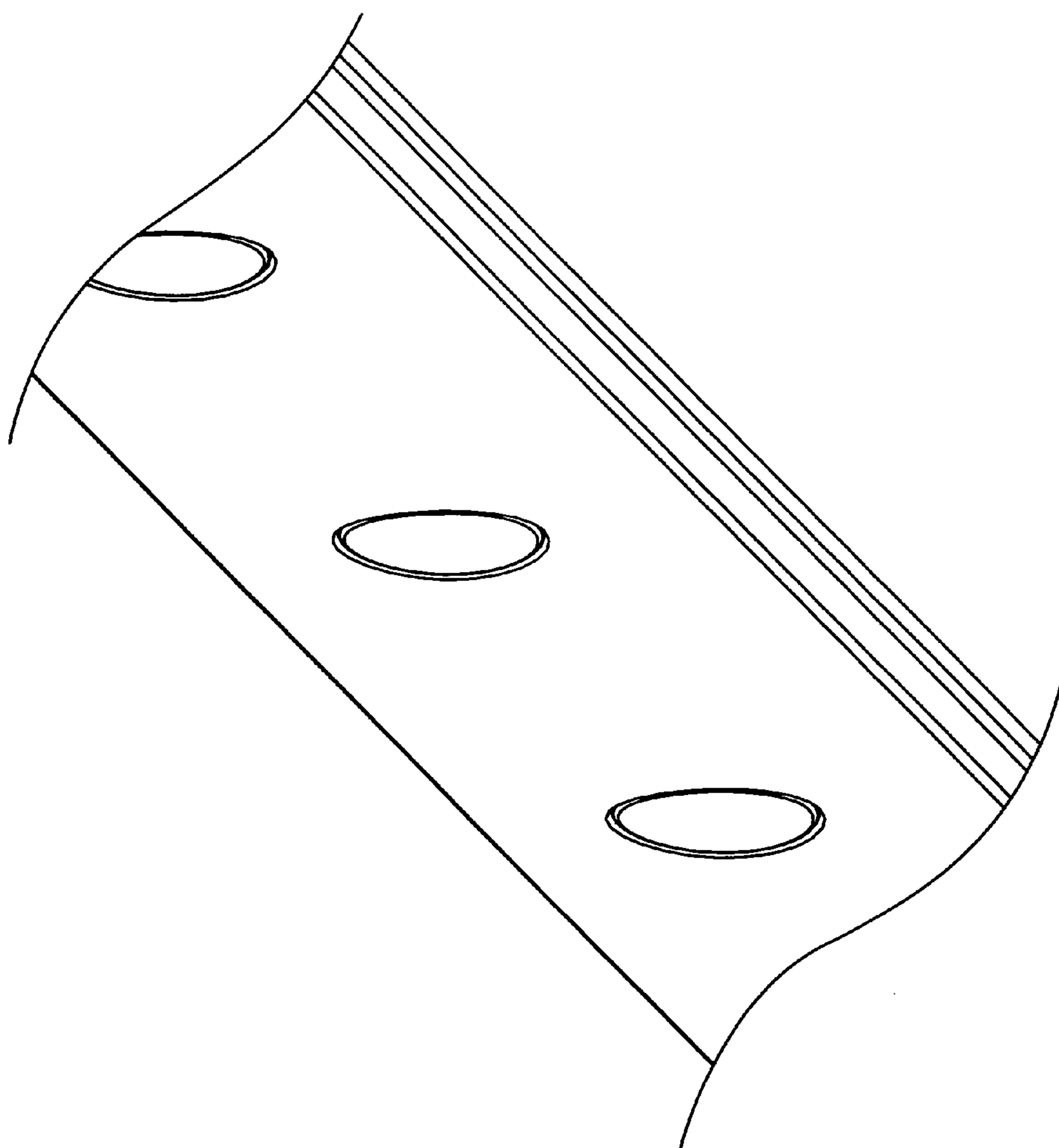


Fig. 8