



US00D603547S

(12) **United States Design Patent**  
**Starck**

(10) **Patent No.:** **US D603,547 S**

(45) **Date of Patent:** **\*\* Nov. 3, 2009**

(54) **WALL LIGHT**

(75) Inventor: **Philippe Starck**, Paris (FR)

(73) Assignee: **Hansgrohe AG**, Schiltach (DE)

(\*\*) Term: **14 Years**

(21) Appl. No.: **29/323,175**

(22) Filed: **Aug. 20, 2008**

(30) **Foreign Application Priority Data**

Feb. 27, 2008 (EP) ..... 000887740

(51) **LOC (9) Cl.** ..... **26-05**

(52) **U.S. Cl.** ..... **D26/72**

(58) **Field of Classification Search** ..... D26/72-92,  
D26/93, 104; 362/125, 133, 134, 147, 253,  
362/410

See application file for complete search history.

(56) **References Cited**

**U.S. PATENT DOCUMENTS**

D145,026 S \* 6/1946 Karp ..... D26/104

D305,694 S \* 1/1990 Brown ..... D26/85  
D363,250 S \* 10/1995 Miyatake ..... D10/114  
D434,863 S \* 12/2000 Boessel ..... D26/26

\* cited by examiner

*Primary Examiner*—Cathron C Brooks

*Assistant Examiner*—Linda G. Brooks

(74) *Attorney, Agent, or Firm*—Nirav D. Parikh; Edgar A. Zarins

(57) **CLAIM**

The ornamental design for a wall light, as shown and described.

**DESCRIPTION**

FIG. 1 is a front perspective view of a wall light showing my design;

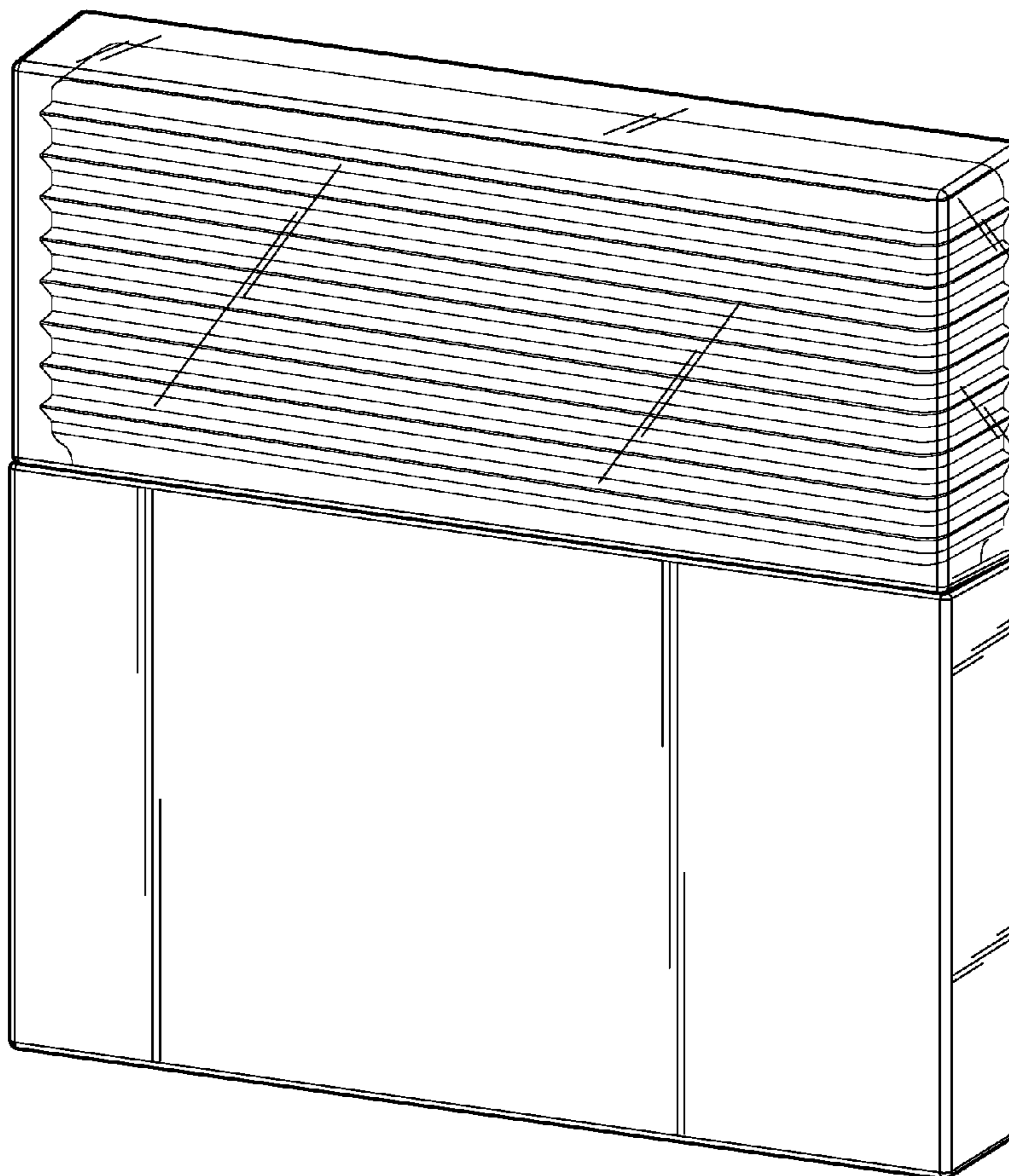
FIG. 2 is a front elevational view thereof;

FIG. 3 is a left side elevational view; the right side elevational view being a mirror image thereof;

FIG. 4 is a top plan view thereof; and,

FIG. 5 is a bottom plan view thereof.

**1 Claim, 5 Drawing Sheets**



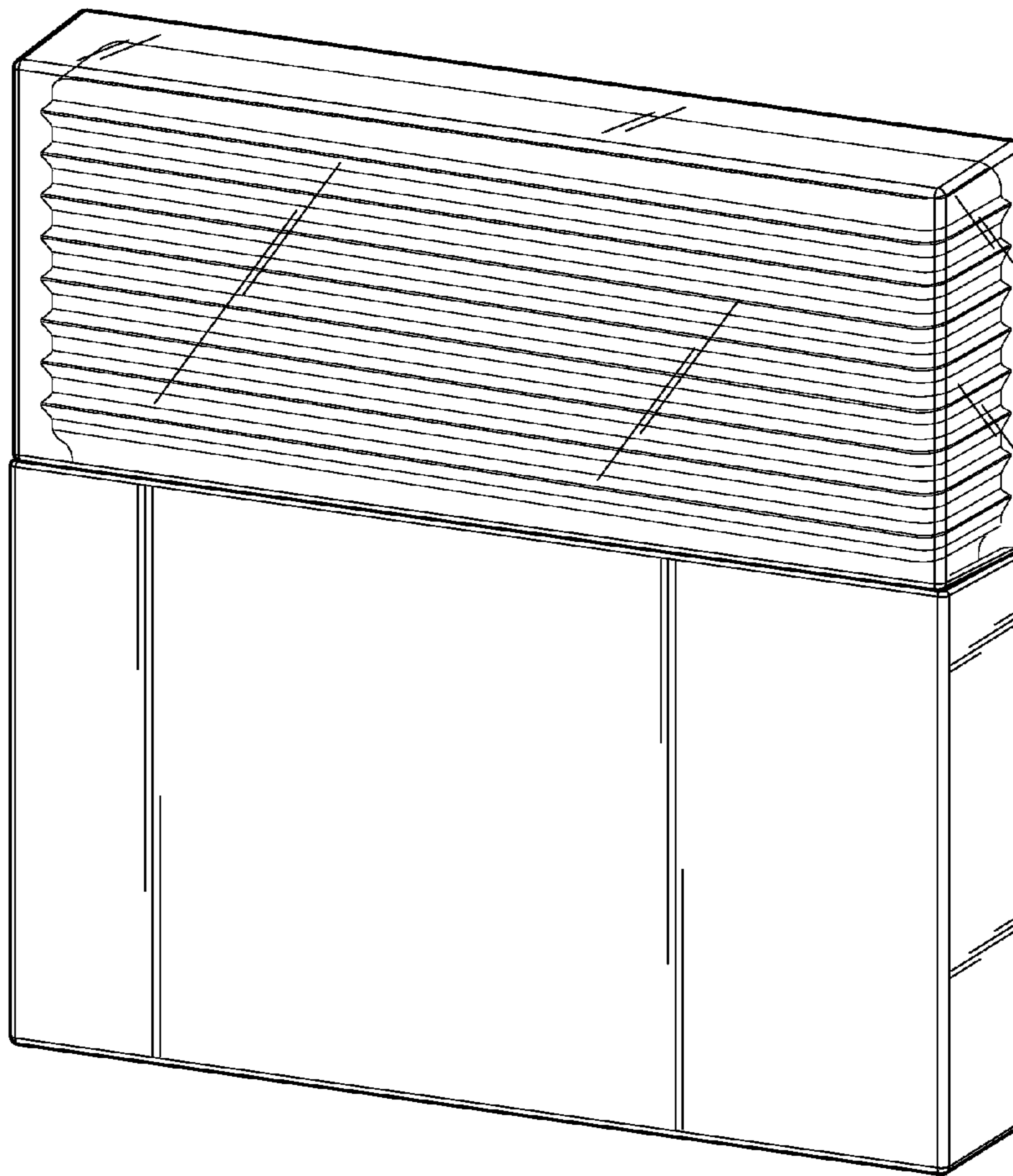


FIG. 1

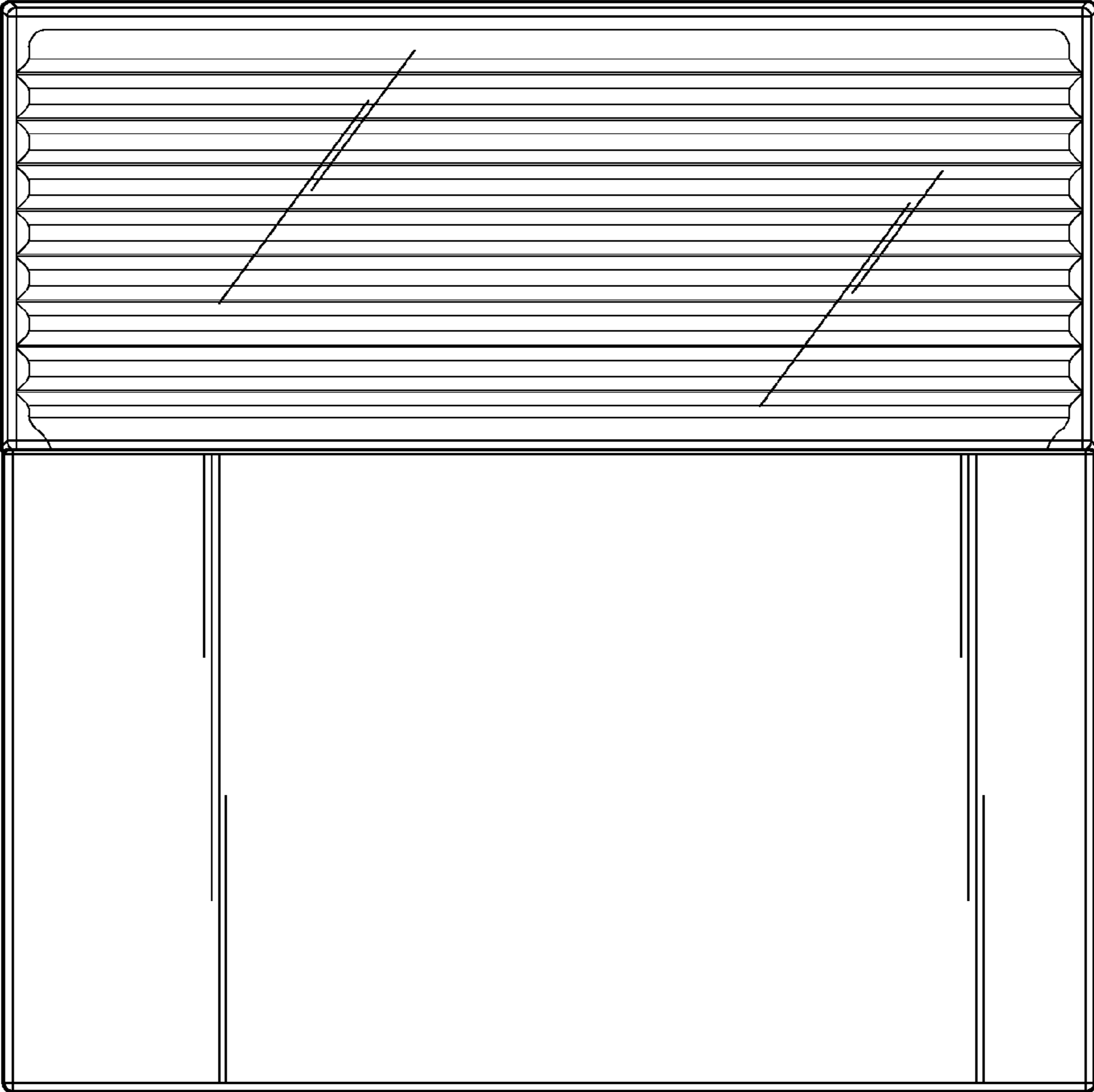


FIG. 2

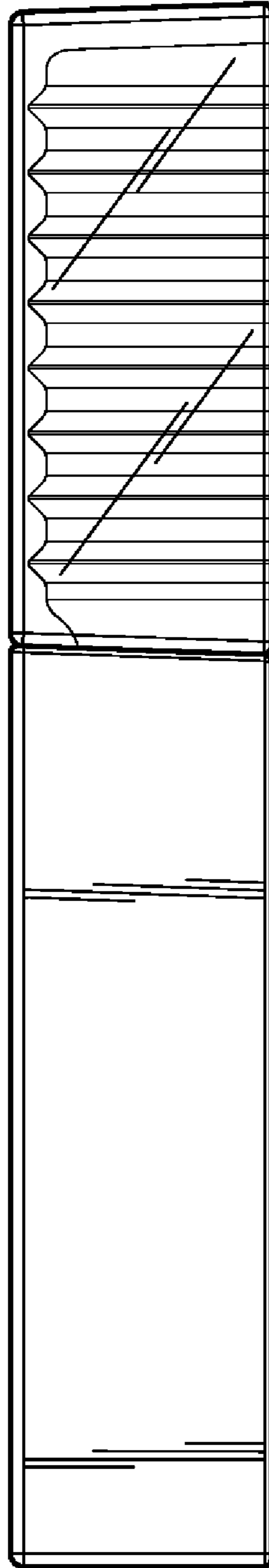


FIG. 3

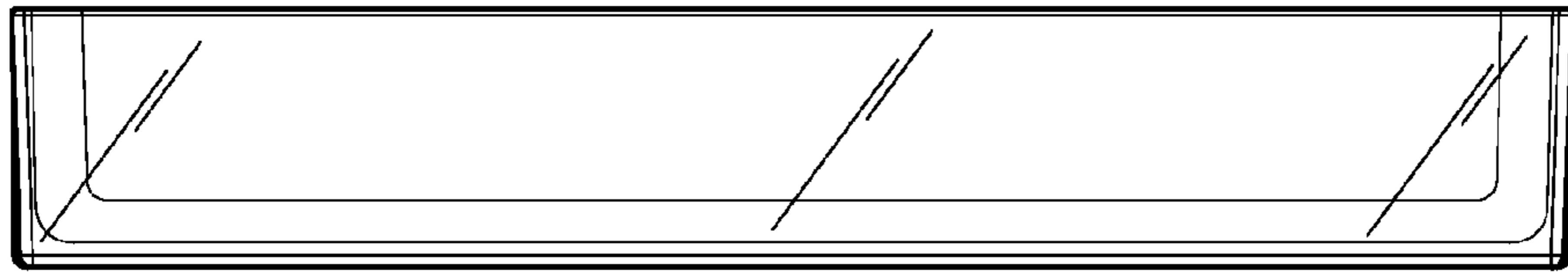


FIG. 4

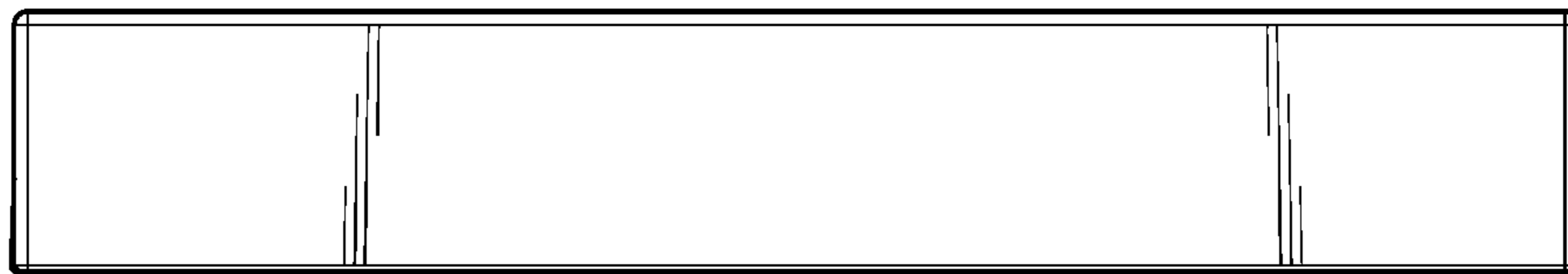


FIG. 5