



US00D603545S

(12) **United States Design Patent**
Levine

(10) **Patent No.:** **US D603,545 S**
(45) **Date of Patent:** **** Nov. 3, 2009**

(54) **LIGHTING DEVICE**

(76) Inventor: **Jonathan E. Levine**, 419 Park Ave.
South, Suite 505, New York, NY (US)
10016

(**) Term: **14 Years**

(21) Appl. No.: **29/337,469**

(22) Filed: **May 21, 2009**

(51) **LOC (9) Cl.** **26-05**

(52) **U.S. Cl.** **D26/63; D26/76**

(58) **Field of Classification Search** D26/72,
D26/75-78, 80; 362/133, 147, 217.01, 219,
362/221-225, 217.02, 217.08, 217.09, 217.1,
362/217.16

See application file for complete search history.

(56) **References Cited**

U.S. PATENT DOCUMENTS

D163,762 S	6/1951	McCann	
2,640,911 A *	6/1953	McCann	362/217.17
D205,192 S *	7/1966	Shearin	D26/75
4,449,167 A	5/1984	Cohen	
4,969,075 A *	11/1990	Helm et al.	362/223
D330,269 S *	10/1992	Hong	D26/76
D366,337 S	1/1996	Yuen	
D386,278 S	11/1997	Engle et al.	
D410,556 S	6/1999	Yuen	
D415,304 S	10/1999	Brown	
D416,101 S	11/1999	Yuen	
D424,223 S	5/2000	Fun	
D432,696 S	10/2000	Ford	
D443,096 S	5/2001	Echito	
D449,402 S	10/2001	Echito	
D456,546 S	4/2002	Bernard	
6,390,652 B1 *	5/2002	Echito	362/222
D464,162 S	10/2002	Segretto	
D469,560 S	1/2003	Nayler et al.	
D470,262 S	2/2003	Yiu	
6,536,924 B2	3/2003	Segretto	
6,755,551 B2 *	6/2004	Soorus et al.	362/221
D521,171 S	5/2006	Skegin	
D527,131 S	8/2006	McCarthy, III	
D537,186 S	2/2007	Weddell	

D549,382 S *	8/2007	Lee	D26/76
D557,442 S	12/2007	Niemier	
7,360,916 B2	4/2008	Sanborn et al.	
D576,334 S	9/2008	Levine	
D578,246 S	10/2008	Levine	
D578,699 S *	10/2008	Ohno et al.	D26/76
D581,571 S	11/2008	Levine	
D585,152 S *	1/2009	Levine	D26/76
D585,578 S	1/2009	Levine	
D590,532 S	4/2009	Levine	
2007/0165398 A1 *	7/2007	Kurtz et al.	362/217
2009/0154151 A1	6/2009	Levine	

* cited by examiner

Primary Examiner—Clare E Heflin

(74) Attorney, Agent, or Firm—Theodore W. Baker

(57) **CLAIM**

I claim the ornamental design for a lighting device, as shown and described.

DESCRIPTION

FIG. 1 is a perspective view of a lighting device showing my new design, as viewed from the top and one side.

FIG. 2 is a front elevation view of the lighting device of FIG. 1.

FIG. 3 is a top plan view of the lighting device of FIG. 1.

FIG. 4 is a first side elevation view of the lighting device of FIG. 1.

FIG. 5 is a second side elevation view of the lighting device of FIG. 1.

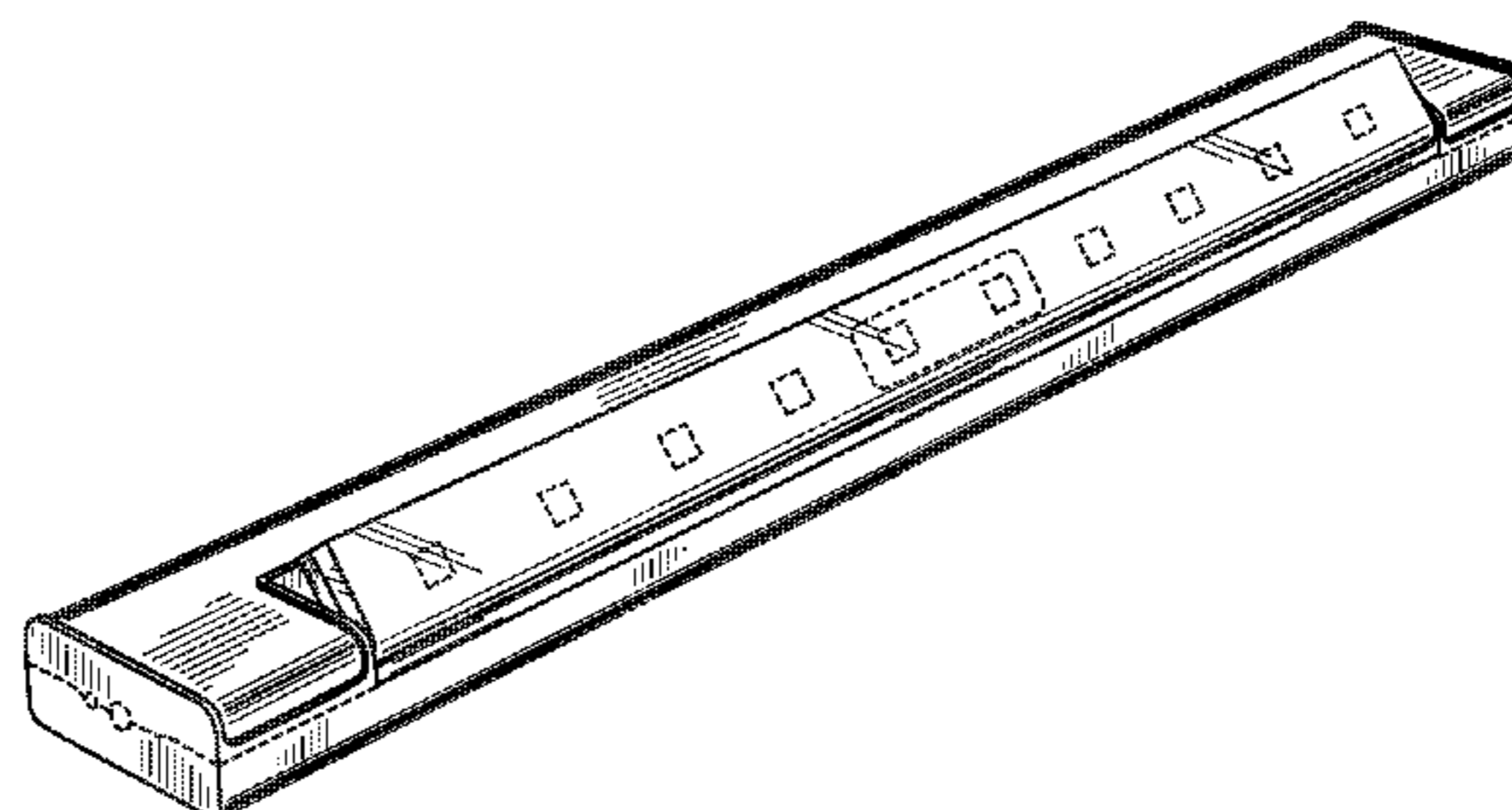
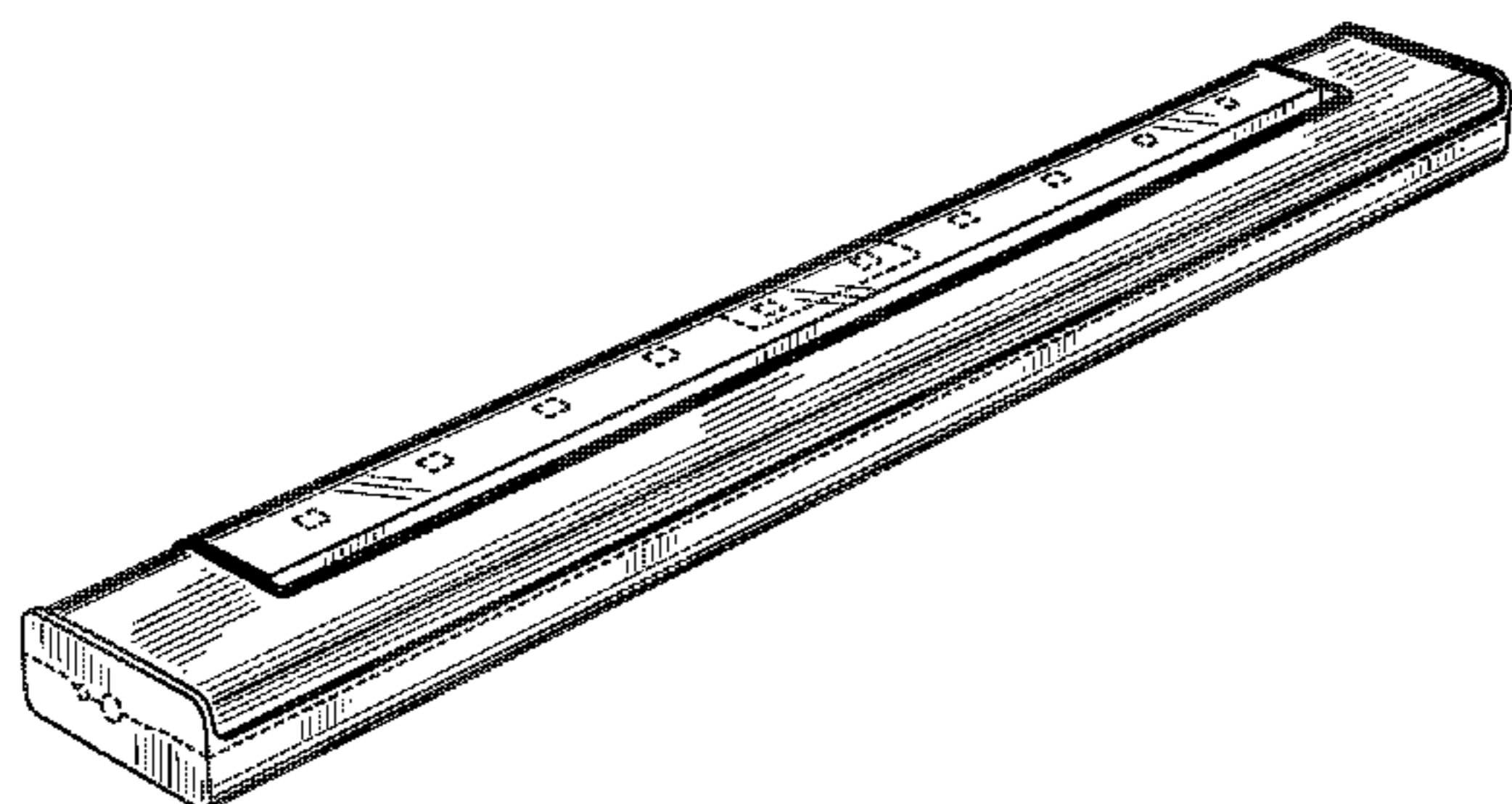
FIG. 6 is a back elevation view of the lighting device of FIG. 1.

FIG. 7 is a bottom plan view of the lighting device of FIG. 1; and,

FIG. 8 is a perspective view of the lighting device of FIG. 1 with the elongated light source housing rotated up about 45°, as viewed from the top and one side.

The details shown in broken lines illustrate portions of the lighting device that form no part of the claimed design.

1 Claim, 3 Drawing Sheets



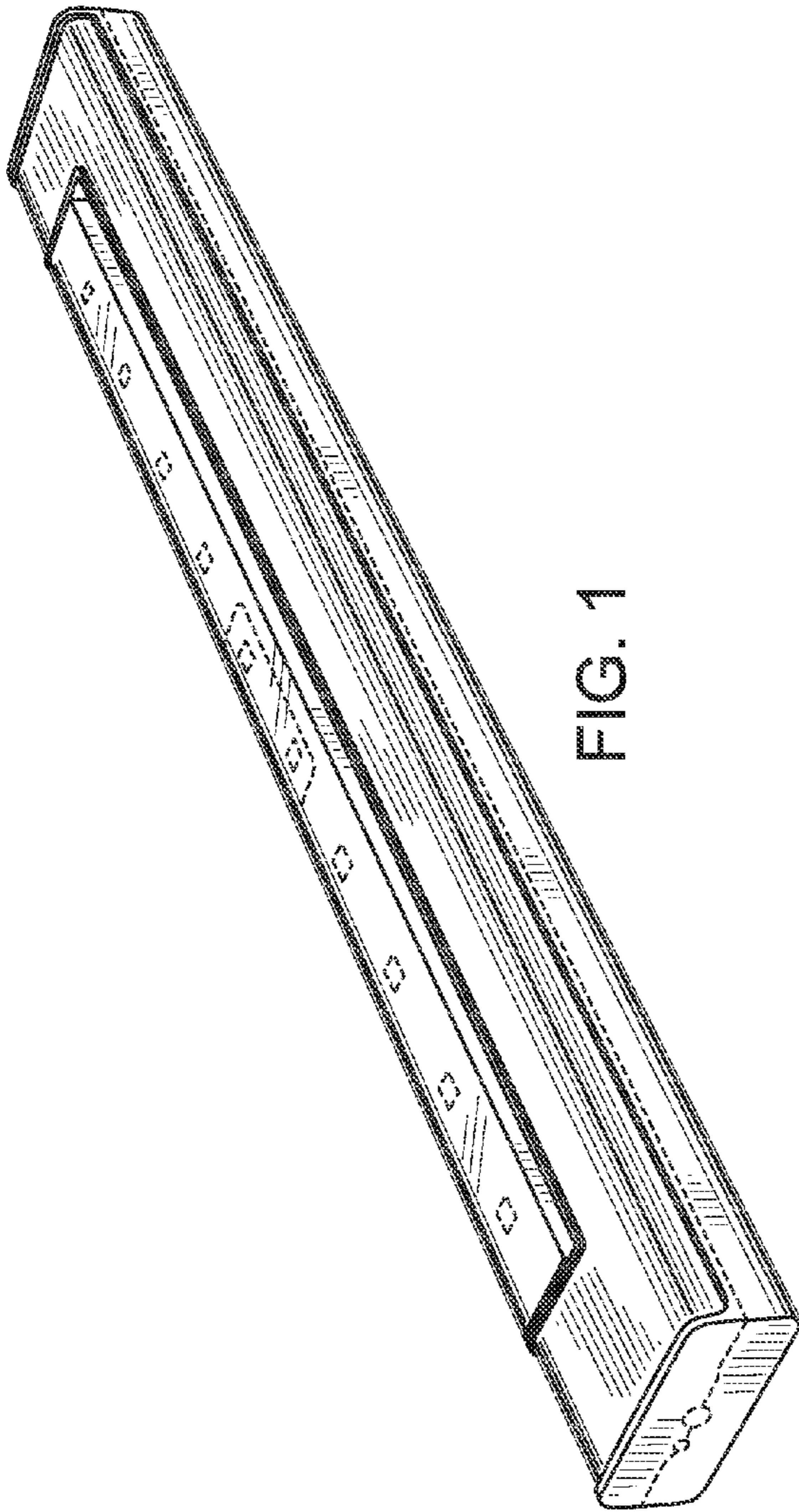


FIG. 1

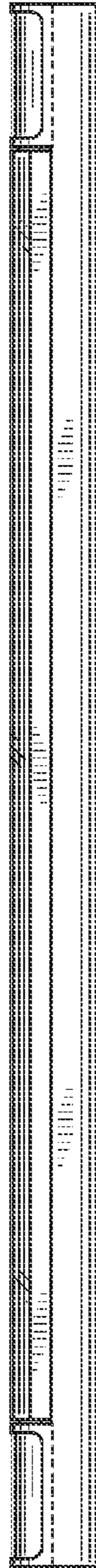


FIG. 2

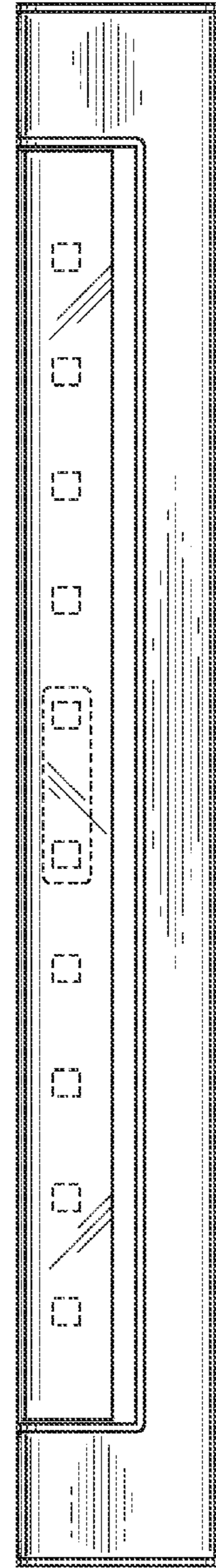


FIG. 3



FIG. 4



FIG. 5



FIG. 6

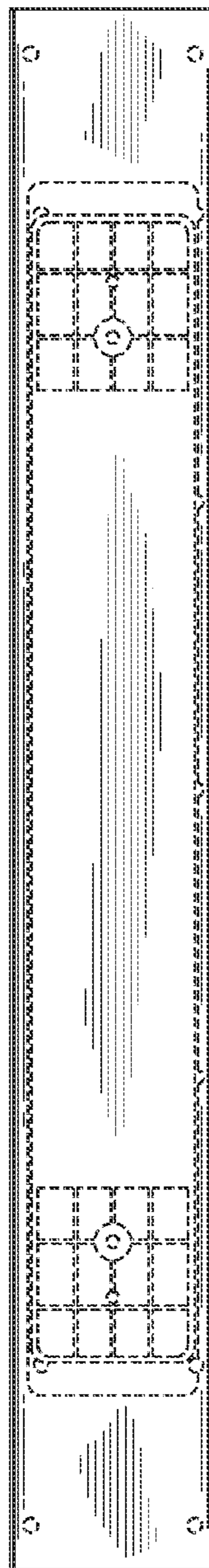


FIG. 7

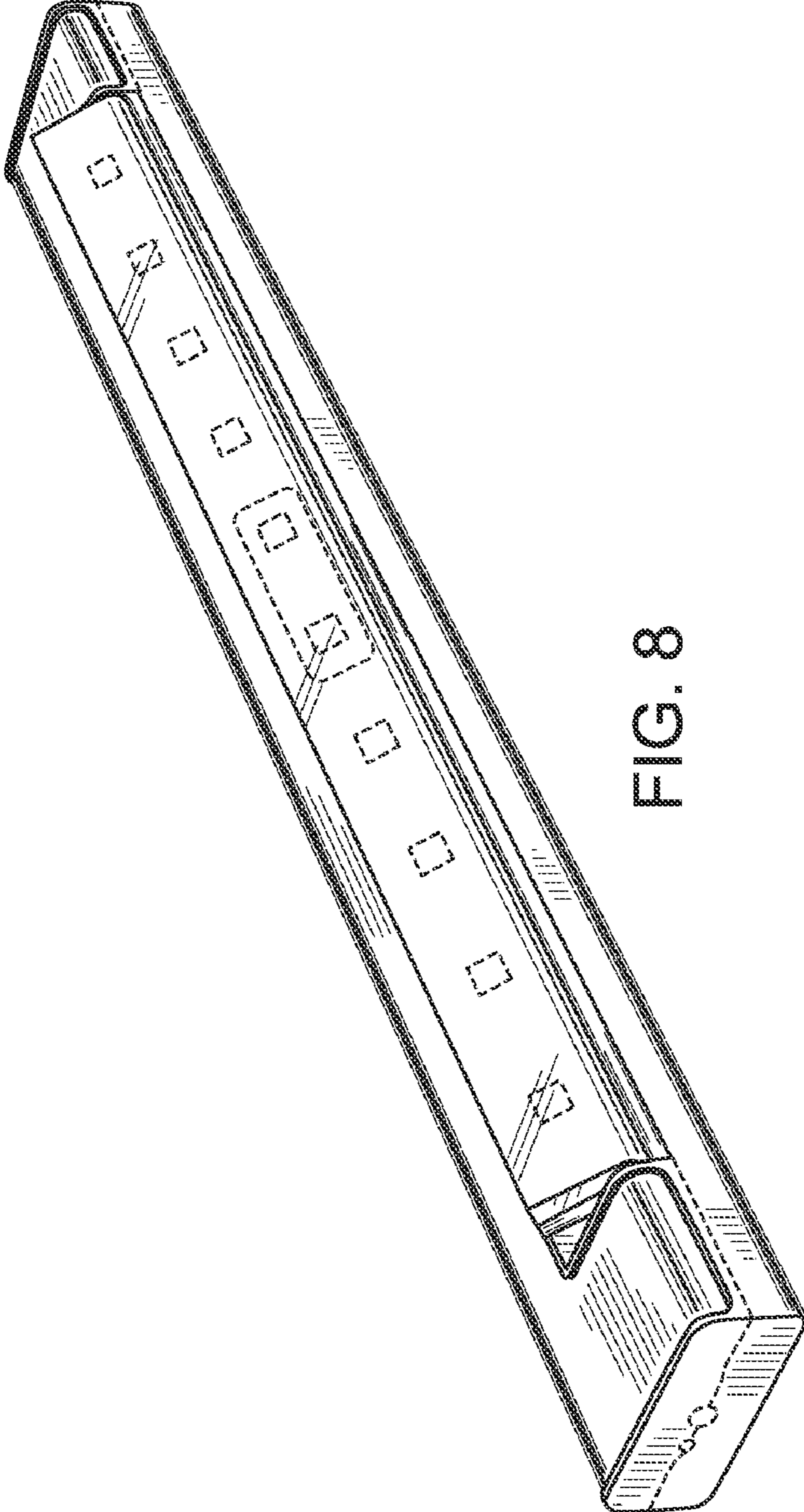


FIG. 8