



(12) **United States Design Patent**
Jensen et al.

(10) **Patent No.:** **US D603,544 S**
(45) **Date of Patent:** **** Nov. 3, 2009**

(54) **ADJUSTABLE TABLE LAMP**

D580,578 S * 11/2008 Chien D26/63
D592,341 S * 5/2009 Fan D26/63

(75) Inventors: **Lars Lundmann Jensen**, Frederiksberg
C. (DK); **Tobias Lidegaard Rossel**,
Århus (DK)

OTHER PUBLICATIONS

Solo LED table lamp by Mindspring. Found at Lightology.com on
Jul. 1, 2009.*

(73) Assignee: **Luxum A/S**, Copenhagen K. (DK)

* cited by examiner

(**) Term: **14 Years**

Primary Examiner—Clare E Heflin

(21) Appl. No.: **29/334,929**

(57) **CLAIM**

(22) Filed: **Apr. 5, 2009**

The ornamental design for an adjustable table lamp, as shown
and described.

(30) **Foreign Application Priority Data**

DESCRIPTION

Oct. 24, 2008 (EM) 001027254-0001

(51) **LOC (9) Cl.** **26-05**

FIG. 1 is a view of the lamp from the left side. The head of the
lamp consists of lamellas, and the head is able to turn around.
The view shows the head being turned in an angle to the left.
At the bottom of the lamps head, there is a small hole. This
drawing is from the bird's eye view.

(52) **U.S. Cl.** **D26/63**

(58) **Field of Classification Search** D26/61-65,
D26/107; 362/269, 275, 285, 371, 410, 418,
362/419, 427

See application file for complete search history.

FIG. 2 shows the lamp from the same angle. In contrast to
FIG. 1, the lamp head has now been turned to the right,
showing the top of the lamp head and its lamellas. This
drawing is from the bird's eye view.

(56) **References Cited**

U.S. PATENT DOCUMENTS

D91,717 S * 3/1934 Maguire D6/462
D301,632 S * 6/1989 Lohrentz D26/61
D527,485 S * 8/2006 Stephant D26/109
D555,272 S * 11/2007 Iai et al. D26/62
D569,539 S * 5/2008 Behar et al. D26/63
D571,943 S * 6/2008 Tragatschnig D26/61

FIG. 3 is a view of the lamp where the lamp head has not been
turned at all. This drawing is from the bird's eye view; and,
FIG. 4 is view of the lamp straight from its left side, showing
the spaces between the lamp head's lamellas.

1 Claim, 4 Drawing Sheets

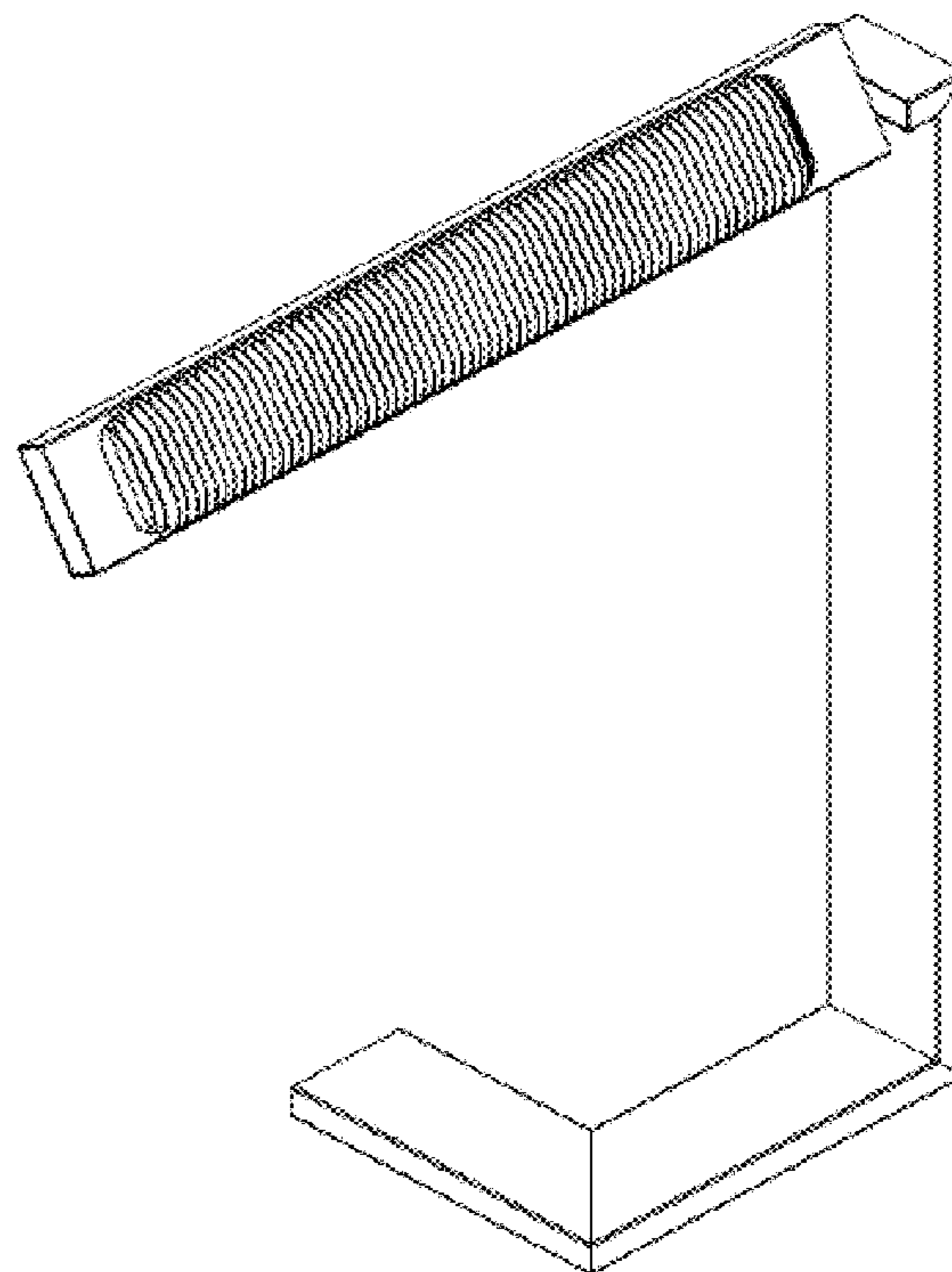
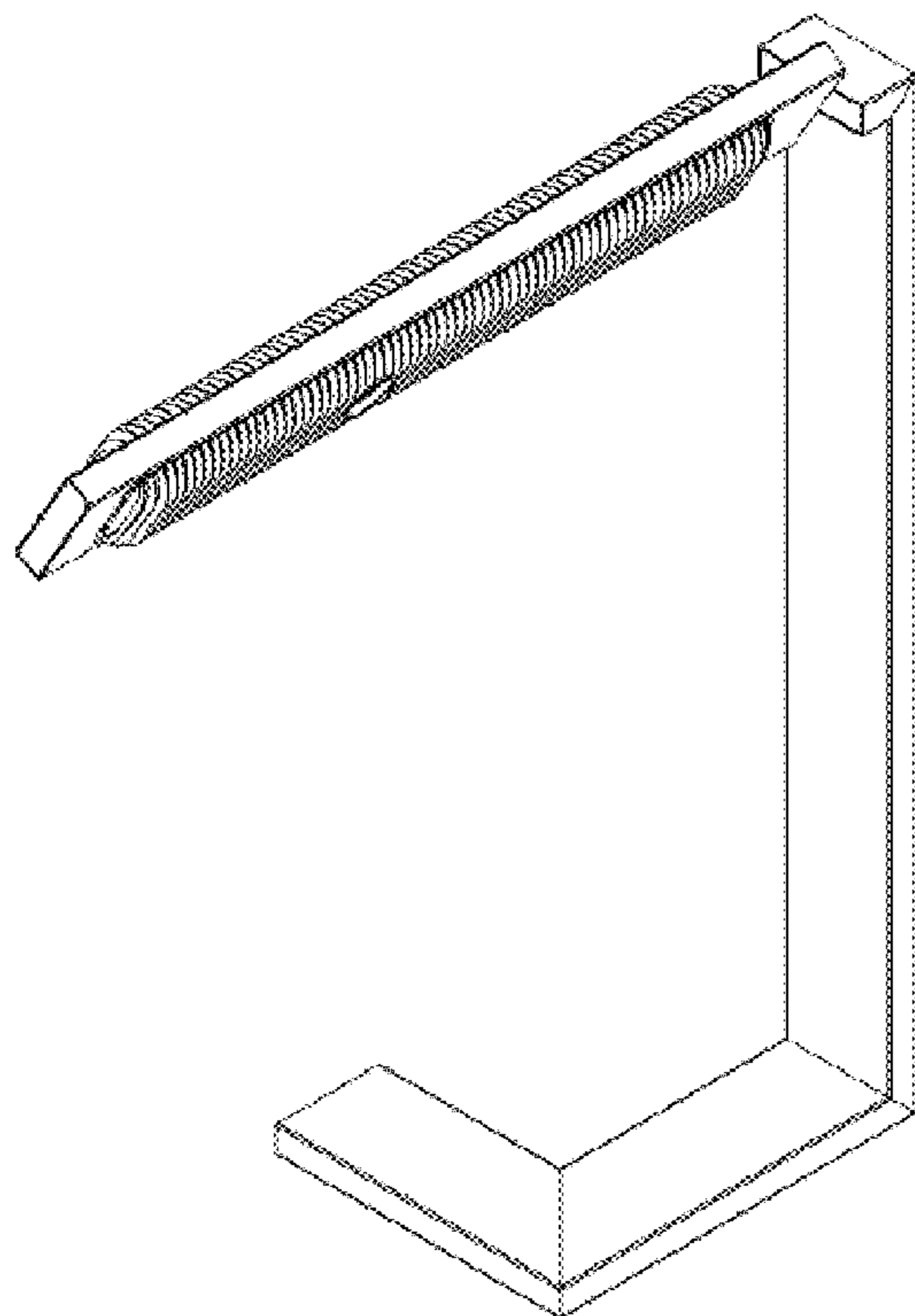


FIG. 1

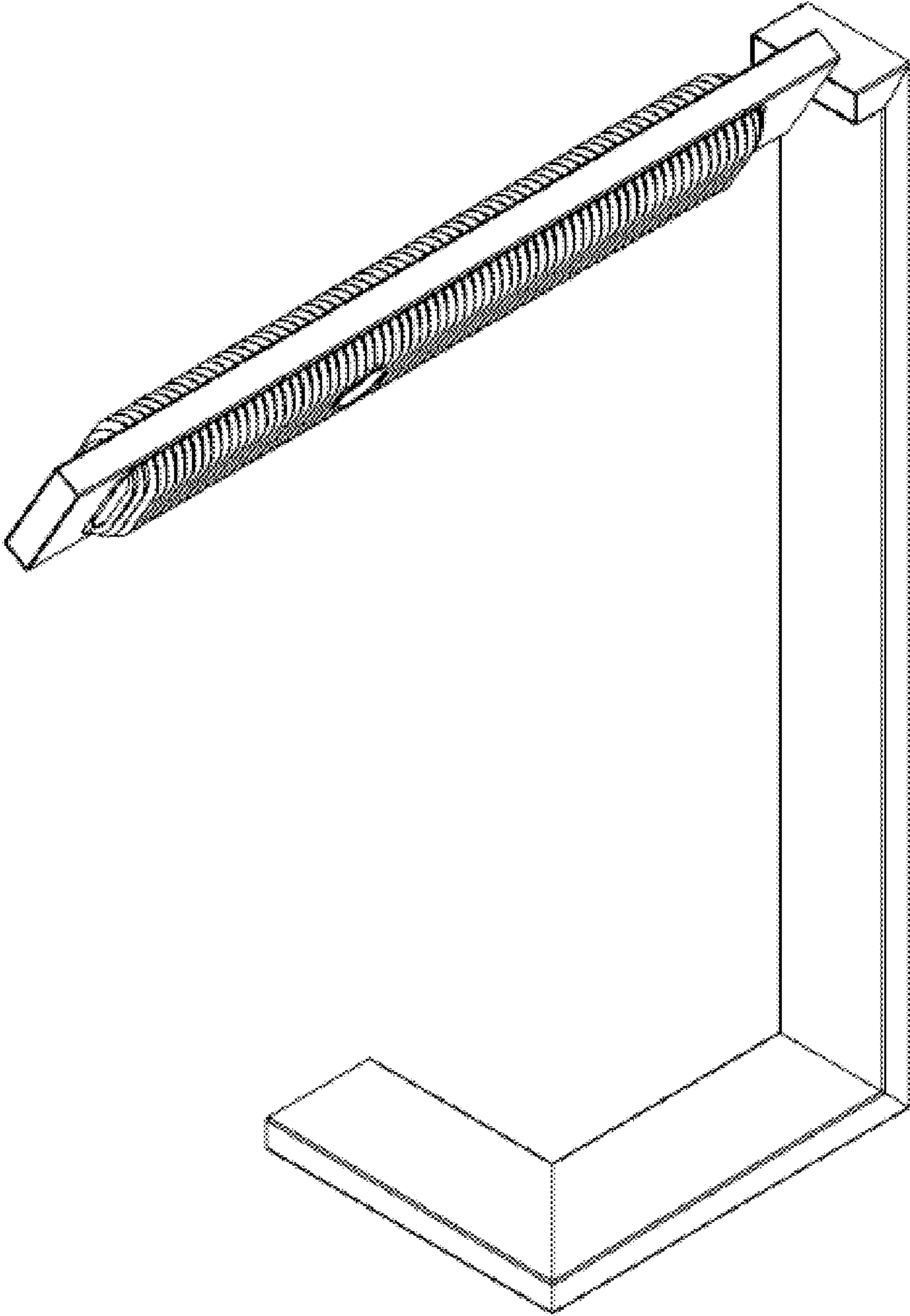


FIG. 2

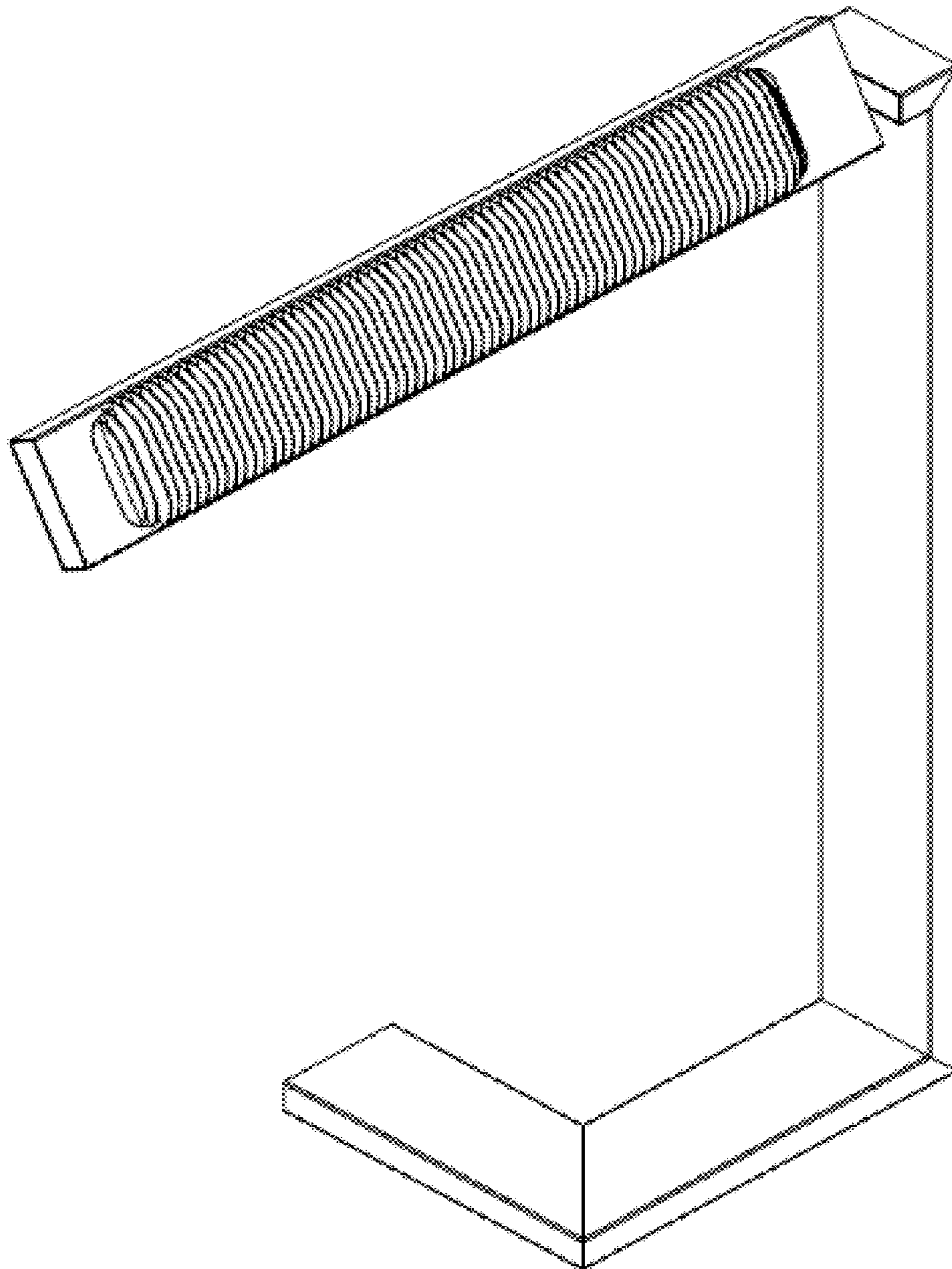


FIG. 3

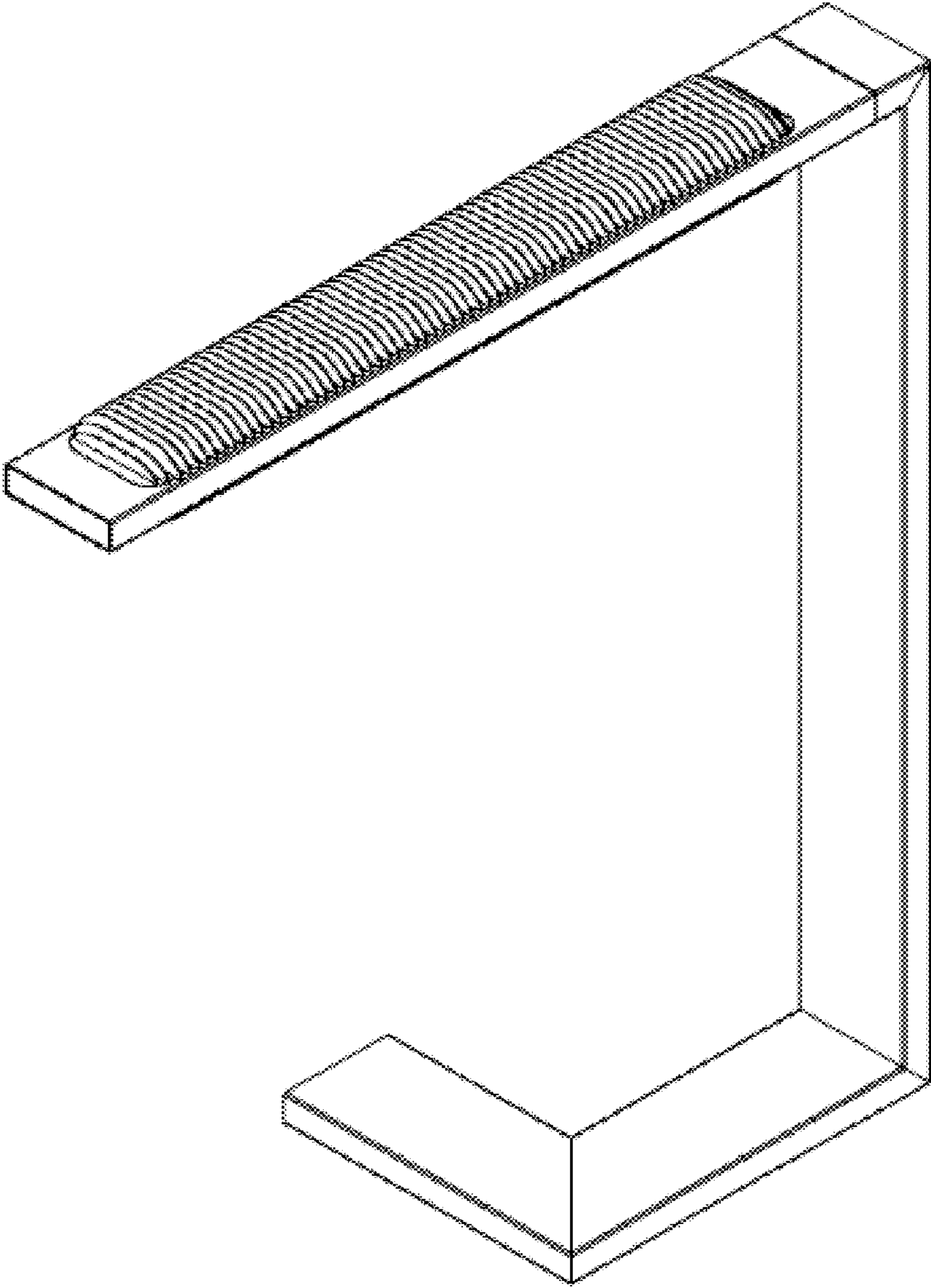


FIG. 4

