



US00D603543S

(12) **United States Design Patent**  
**Huang et al.**

(10) **Patent No.:** **US D603,543 S**

(45) **Date of Patent:** **\*\* Nov. 3, 2009**

(54) **LAMP**

(75) Inventors: **Wen-Feng Huang**, Yongkang (TW);  
**Tai-Hsiang Huang**, Yongkang (TW)

(73) Assignee: **Tai-Hsiang Huang**, Tainan County  
(TW)

(\*\*) Term: **14 Years**

(21) Appl. No.: **29/311,334**

(22) Filed: **Feb. 25, 2009**

(51) **LOC (9) Cl.** ..... **26-05**

(52) **U.S. Cl.** ..... **D26/63**

(58) **Field of Classification Search** ..... D26/61-65,  
D26/107; 362/269, 275, 285, 371, 410, 418,  
362/419, 427

See application file for complete search history.

(56) **References Cited**

**U.S. PATENT DOCUMENTS**

D179,445 S *	12/1956	Eaton	.....	D26/62
D202,806 S *	11/1965	Sovatsky	.....	D26/62
D203,932 S *	3/1966	Scheidt	.....	D10/81
D213,902 S *	4/1969	Muller	.....	D26/64
D295,327 S *	4/1988	Ansems	.....	D26/65

D349,582 S *	8/1994	Bain et al.	.....	D26/61
D357,993 S *	5/1995	Yuen	.....	D26/65
D408,568 S *	4/1999	Schaak	.....	D26/62
D446,877 S *	8/2001	Lester	.....	D26/72
D564,118 S *	3/2008	Wu	.....	D26/63
D567,982 S *	4/2008	Lu et al.	.....	D26/65
D590,534 S *	4/2009	Levine	.....	D26/62

\* cited by examiner

*Primary Examiner*—Clare E Heflin

(74) *Attorney, Agent, or Firm*—Rosenberg, Klein & Lee

(57) **CLAIM**

The ornamental design for a lamp, as shown and described.

**DESCRIPTION**

FIG. 1 is a perspective view of a lamp showing our new design;

FIG. 2 is a front elevational view thereof;

FIG. 3 is a rear elevational view thereof;

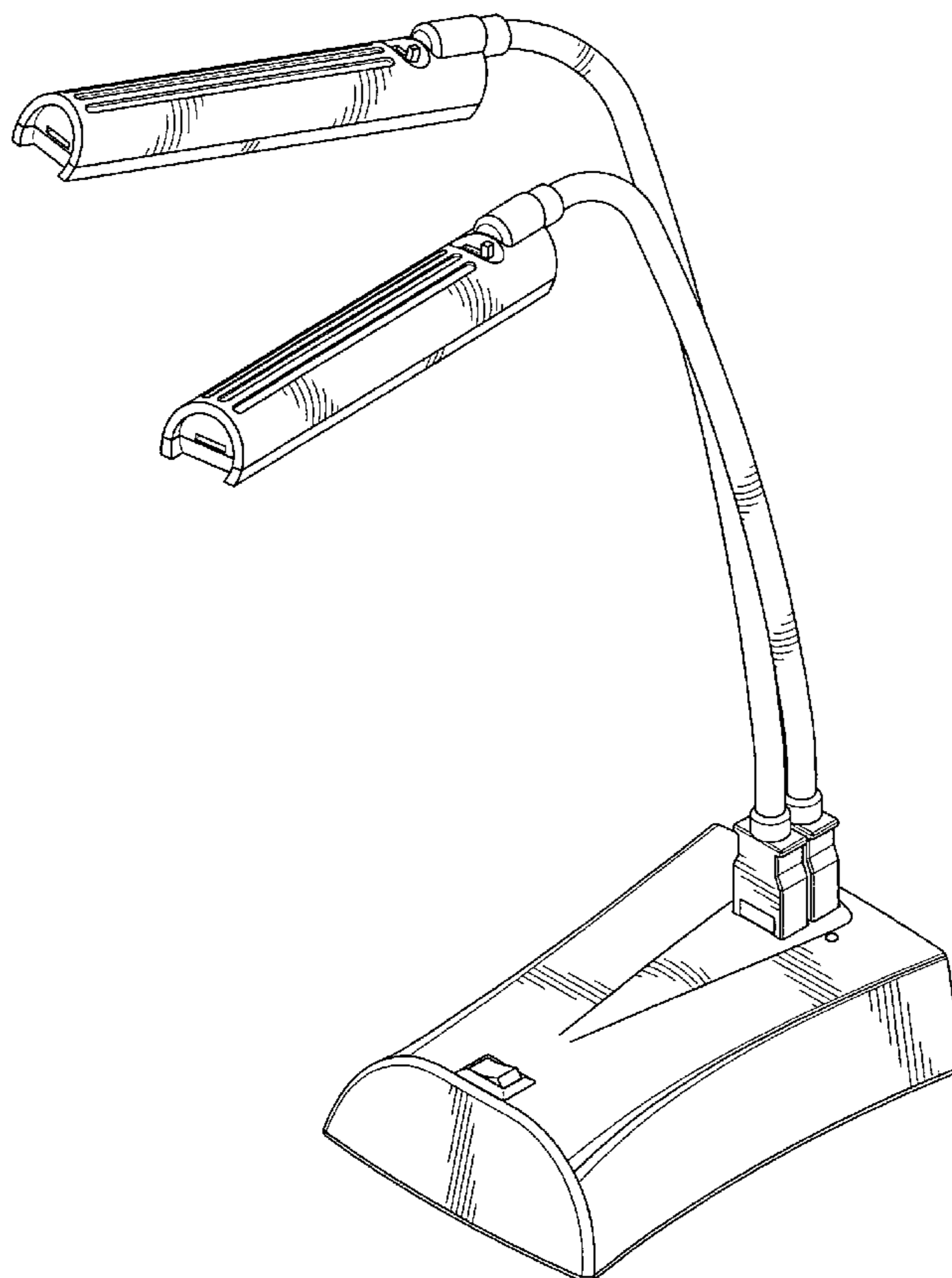
FIG. 4 is a left side elevational view thereof;

FIG. 5 is a right side elevational view thereof;

FIG. 6 is a top plan view thereof; and,

FIG. 7 is a bottom plan view thereof.

**1 Claim, 7 Drawing Sheets**



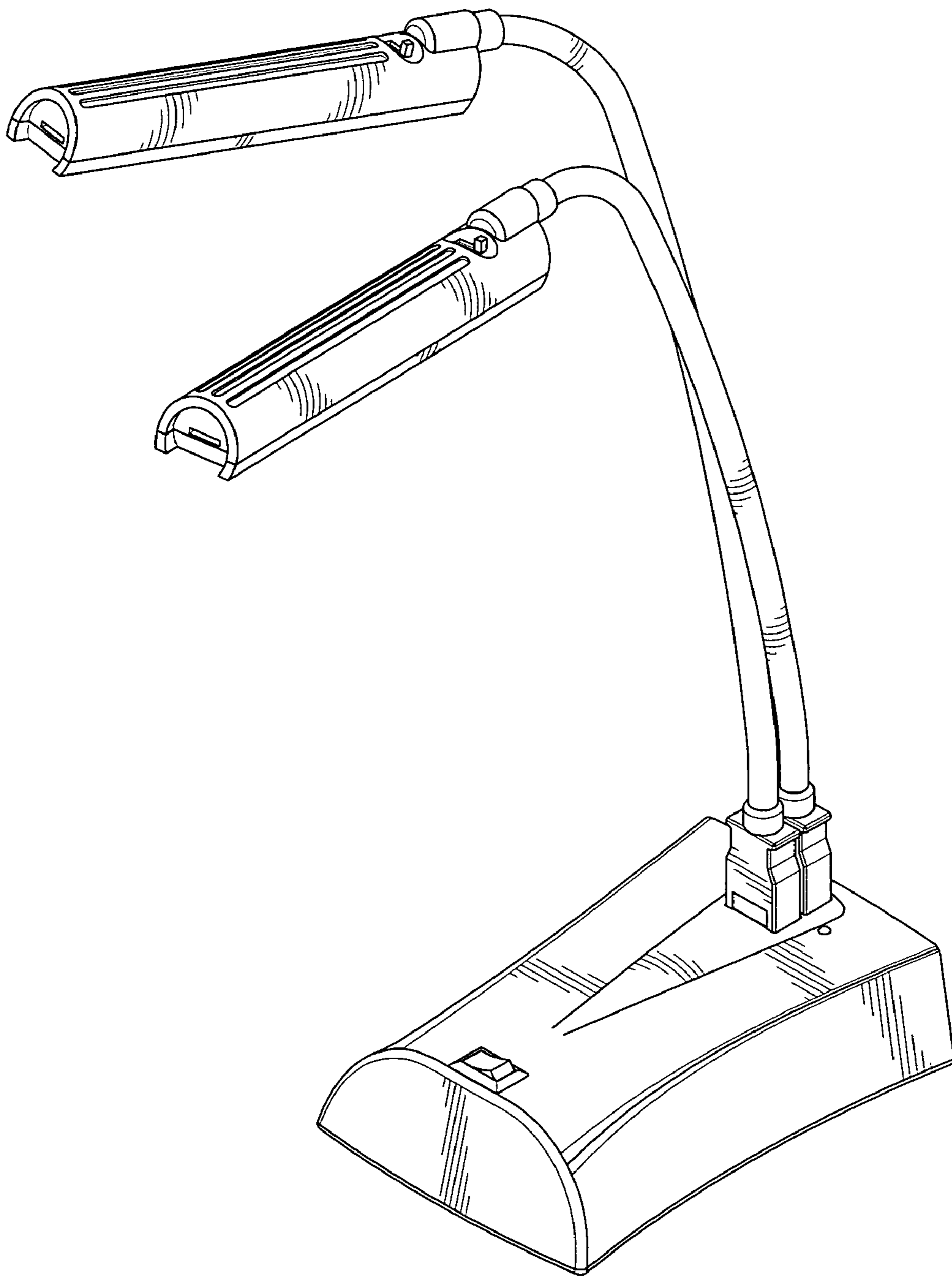


FIG. 1

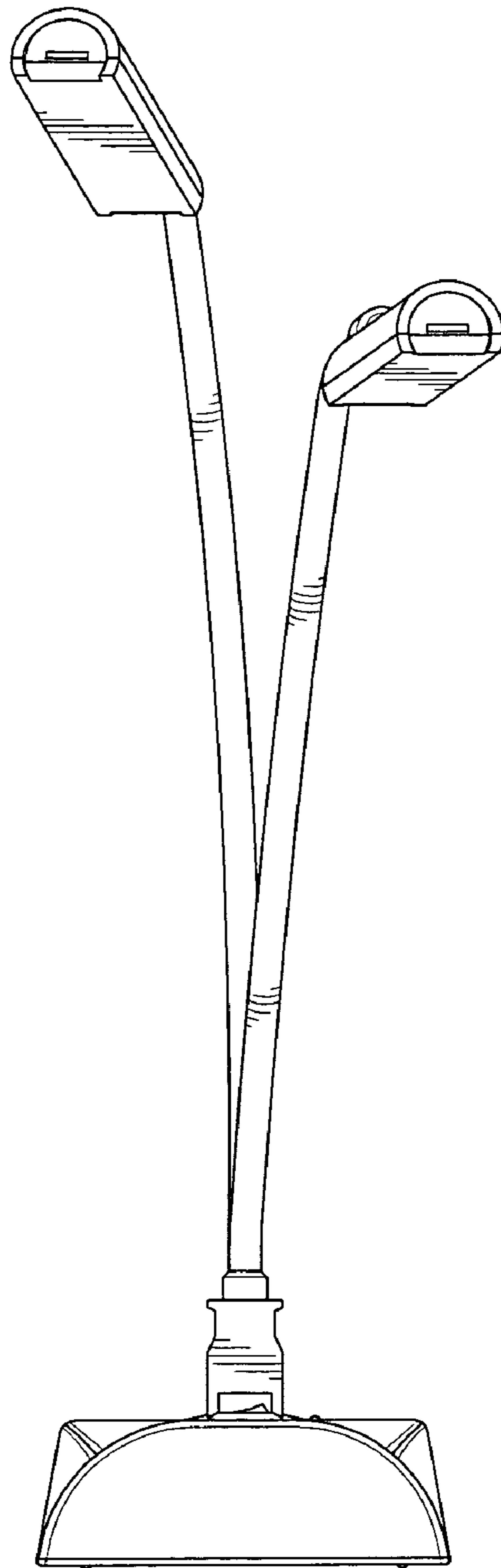


FIG. 2

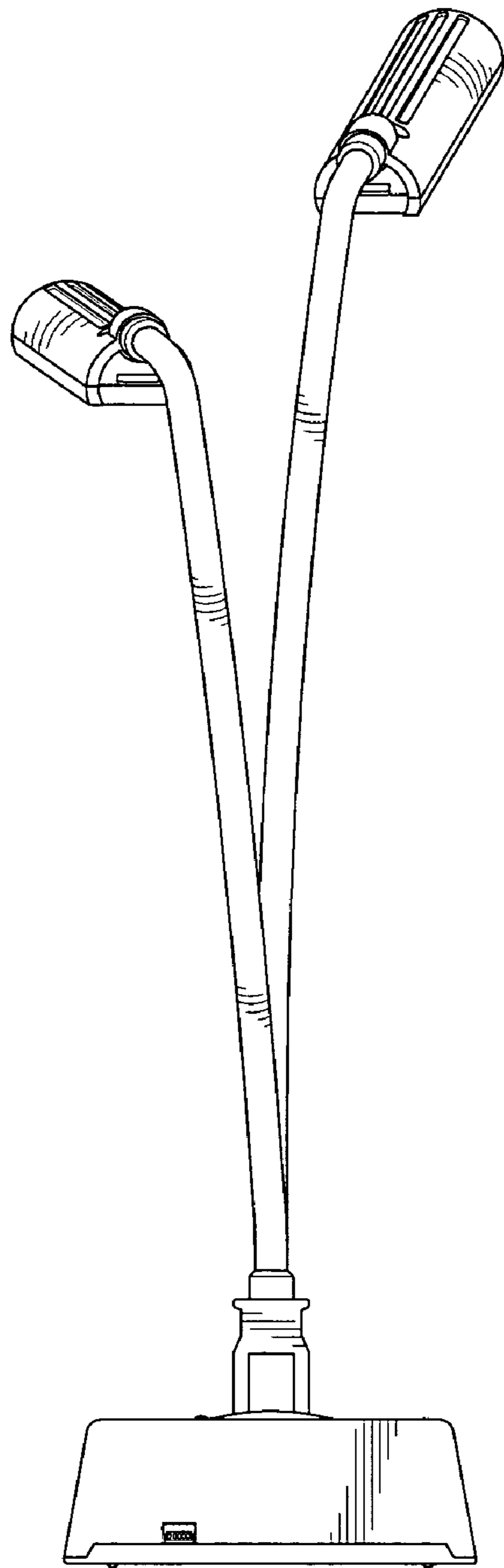


FIG. 3

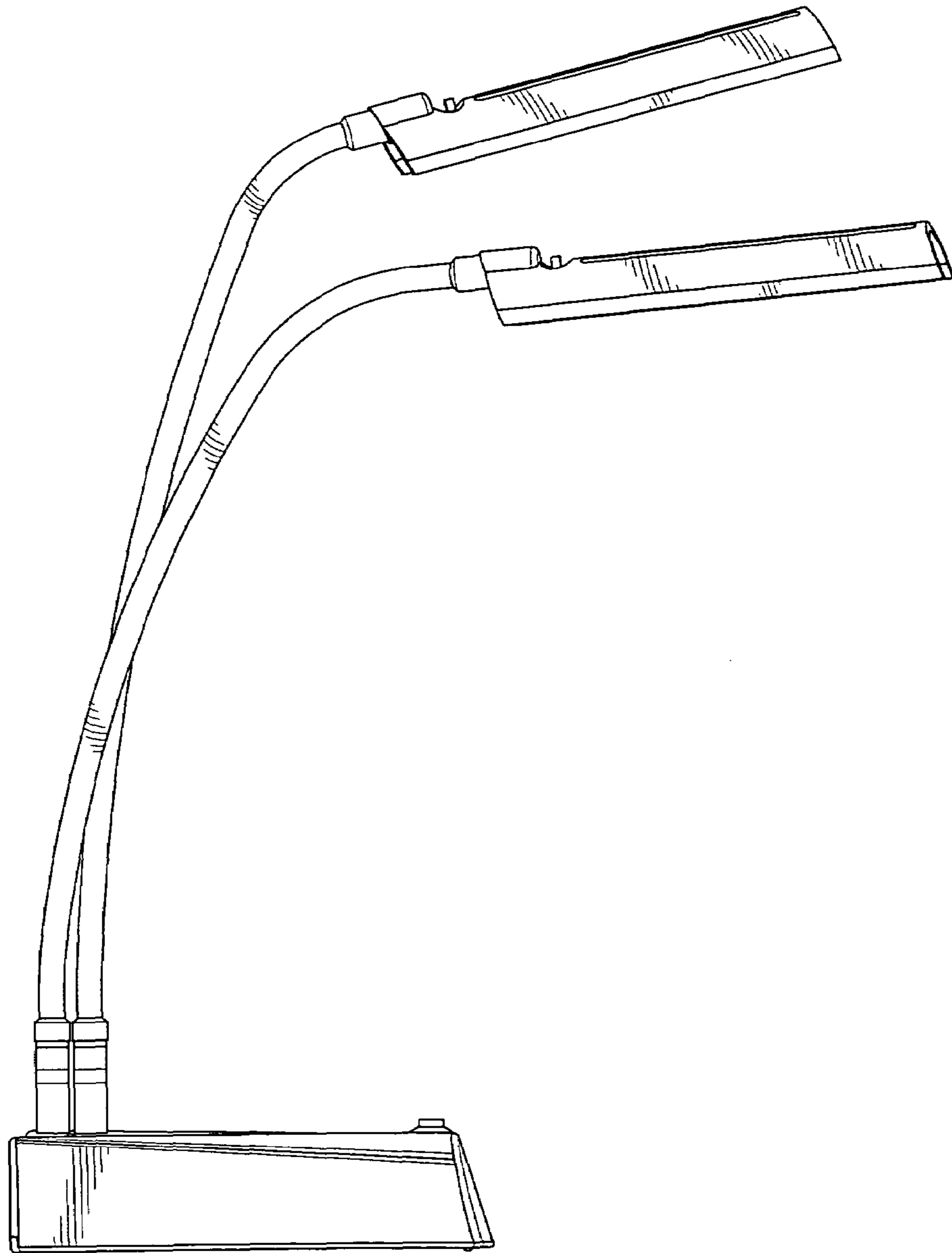


FIG. 4

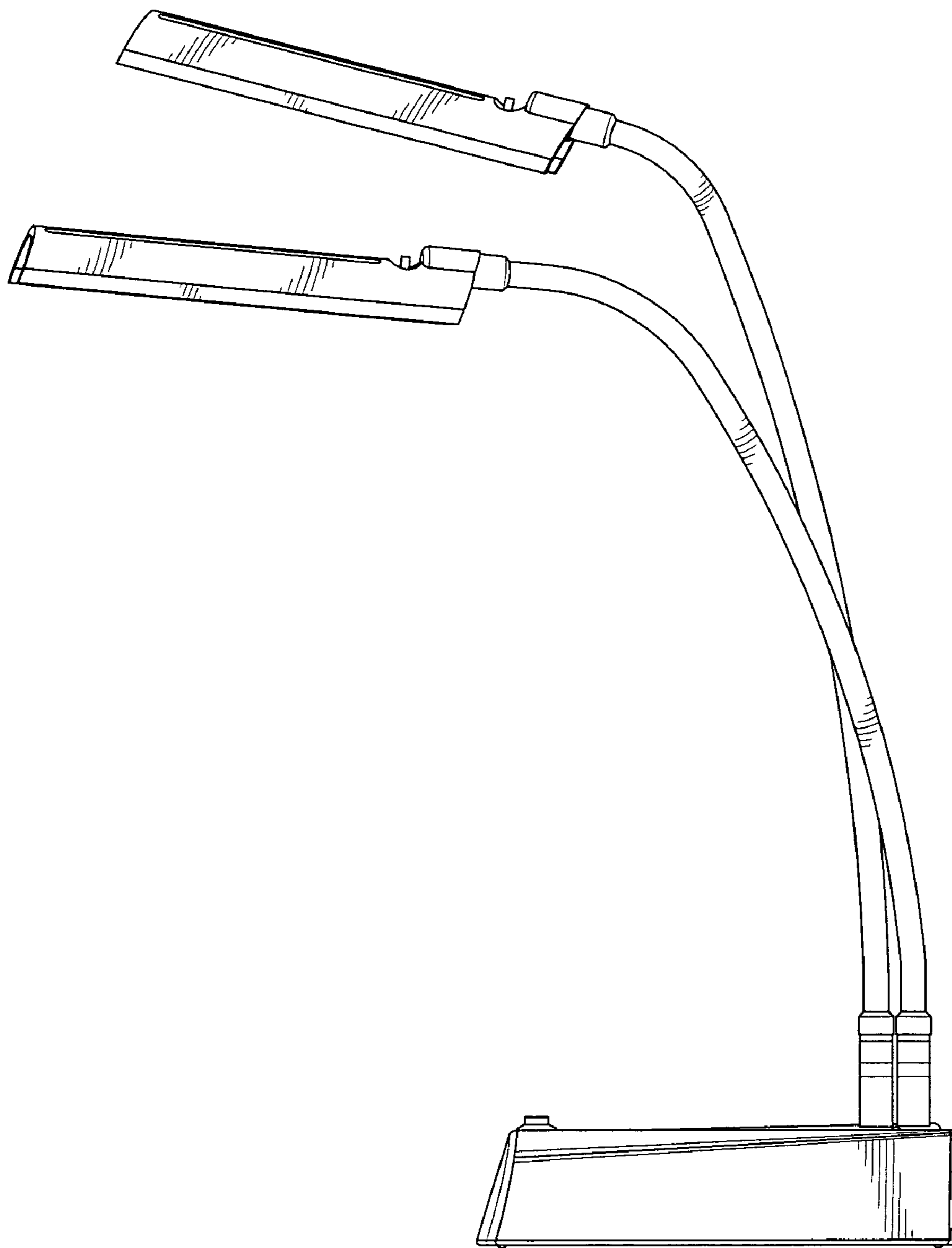


FIG. 5

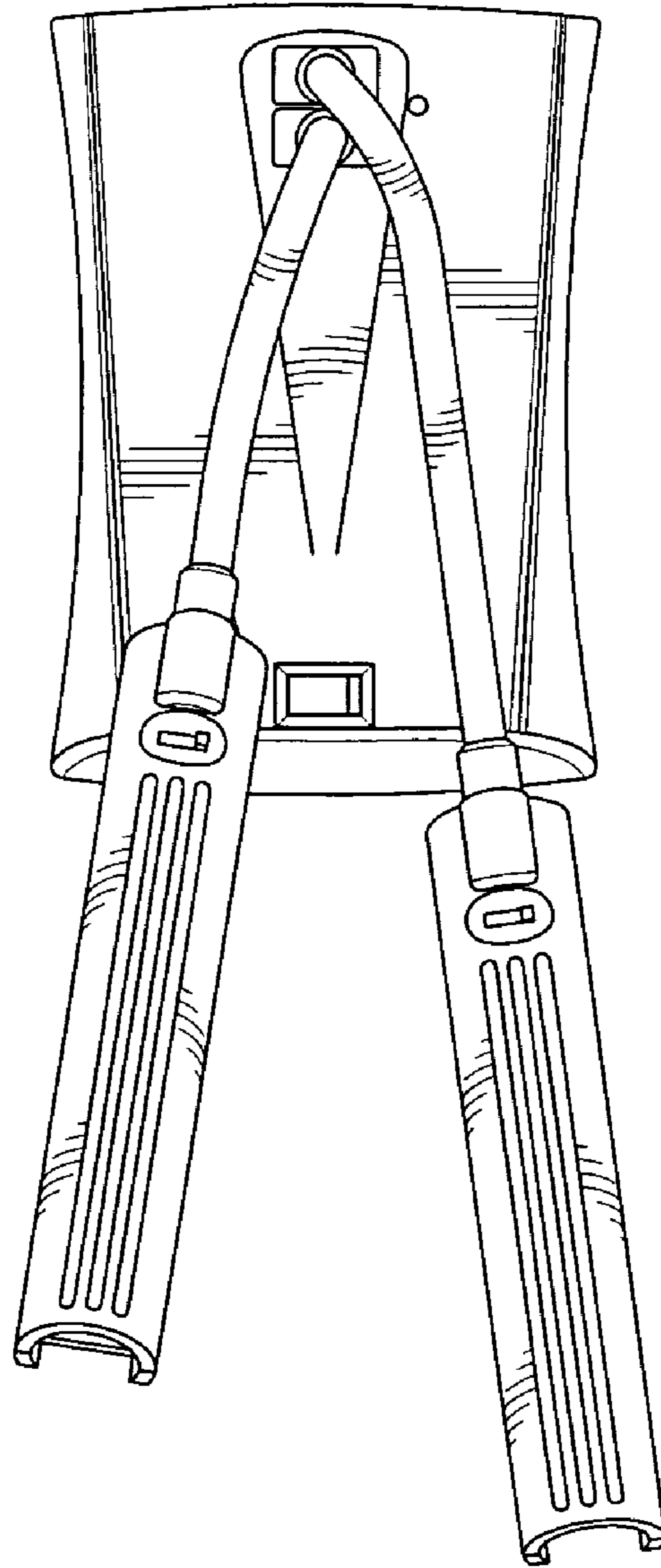


FIG. 6

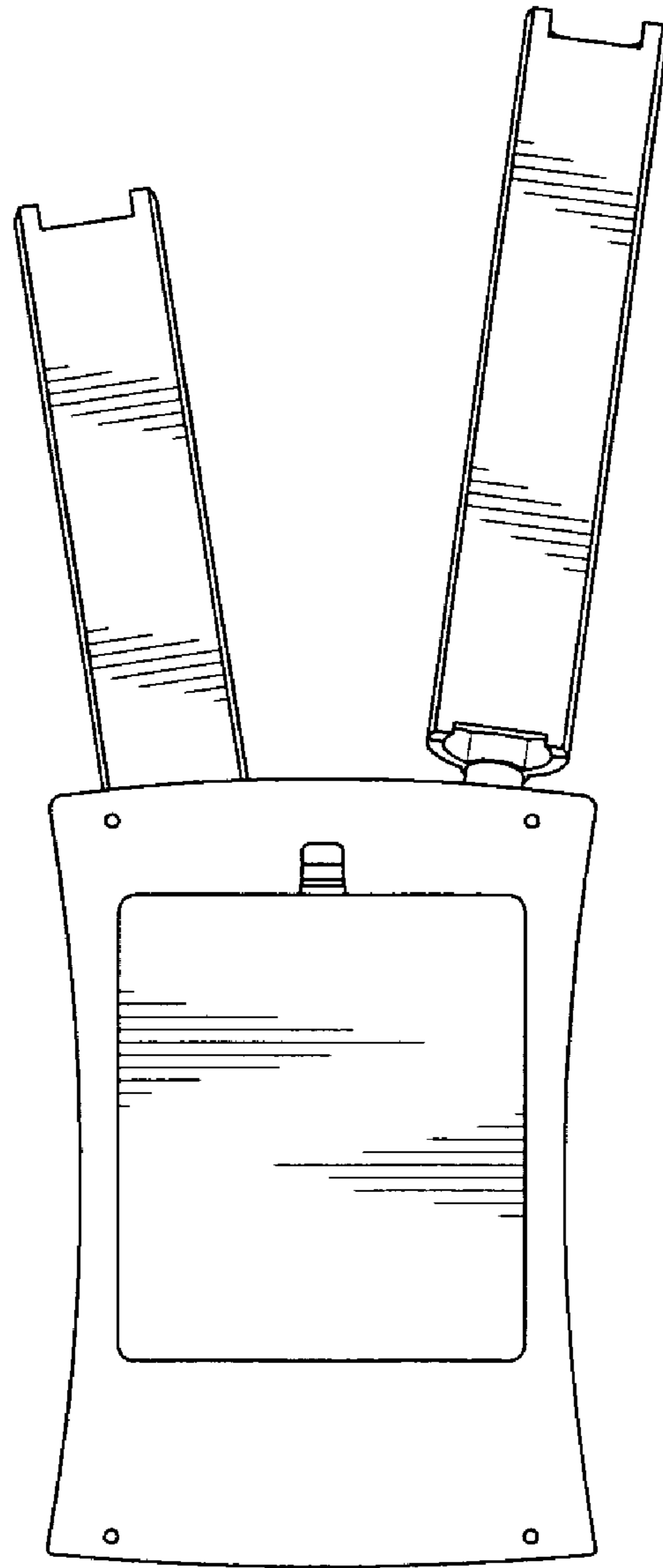


FIG. 7