



US00D603542S

(12) **United States Design Patent**  
**Moss**

(10) **Patent No.:** **US D603,542 S**

(45) **Date of Patent:** **\*\* Nov. 3, 2009**

(54) **OUTDOOR LAMP WITH ELECTRICAL CORD**

(76) Inventor: **Larry Moss**, 3624 Willow La.,  
Tuscaloosa, AL (US) 35401

(\*\*) Term: **14 Years**

(21) Appl. No.: **29/328,940**

(22) Filed: **Dec. 4, 2008**

(51) **LOC (9) Cl.** ..... **26-05**

(52) **U.S. Cl.** ..... **D26/51**

(58) **Field of Classification Search** ..... D26/37-40,  
D26/46, 51, 77, 79, 119; 362/157, 158, 171-173,  
362/183, 186, 194, 208, 358, 396, 376  
See application file for complete search history.

(56) **References Cited**

U.S. PATENT DOCUMENTS

2,677,754	A *	5/1954	Heinz	.....	362/344
3,584,213	A	6/1971	Meltzer		
4,141,062	A *	2/1979	Trueblood	.....	362/400
4,275,435	A *	6/1981	Dorn	.....	362/368
4,369,487	A	1/1983	Carlow		
4,639,842	A *	1/1987	Upchurch	.....	362/376
4,644,456	A	2/1987	Lydell		
D298,657	S *	11/1988	Flores	.....	D26/37
4,864,477	A *	9/1989	Engelman	.....	362/376
4,999,752	A *	3/1991	Rogers et al.	.....	362/228
D322,328	S *	12/1991	Burgett	.....	D26/37

D339,425	S *	9/1993	Anderson	.....	D26/37
5,452,194	A *	9/1995	Phalen	.....	362/376
5,833,357	A	11/1998	Ting		
5,961,207	A *	10/1999	Petkovic	.....	362/376
6,170,966	B1 *	1/2001	Schwarzmann	.....	362/376
D500,383	S *	12/2004	Lin	.....	D26/119
6,923,553	B2 *	8/2005	Mackin	.....	362/202
2005/0135108	A1 *	6/2005	Delano	.....	362/396

\* cited by examiner

*Primary Examiner*—Ian Simmons  
*Assistant Examiner*—Carissa C Fitts

(57) **CLAIM**

The ornamental design for an outdoor lamp with electrical cord, as shown.

**DESCRIPTION**

FIG. 1 is a perspective view of an outdoor lamp with electrical cord in accordance with the new design, showing a break indicating a cord detail of no particular length;

FIG. 2 is a side view thereof;

FIG. 3 is a side view thereof;

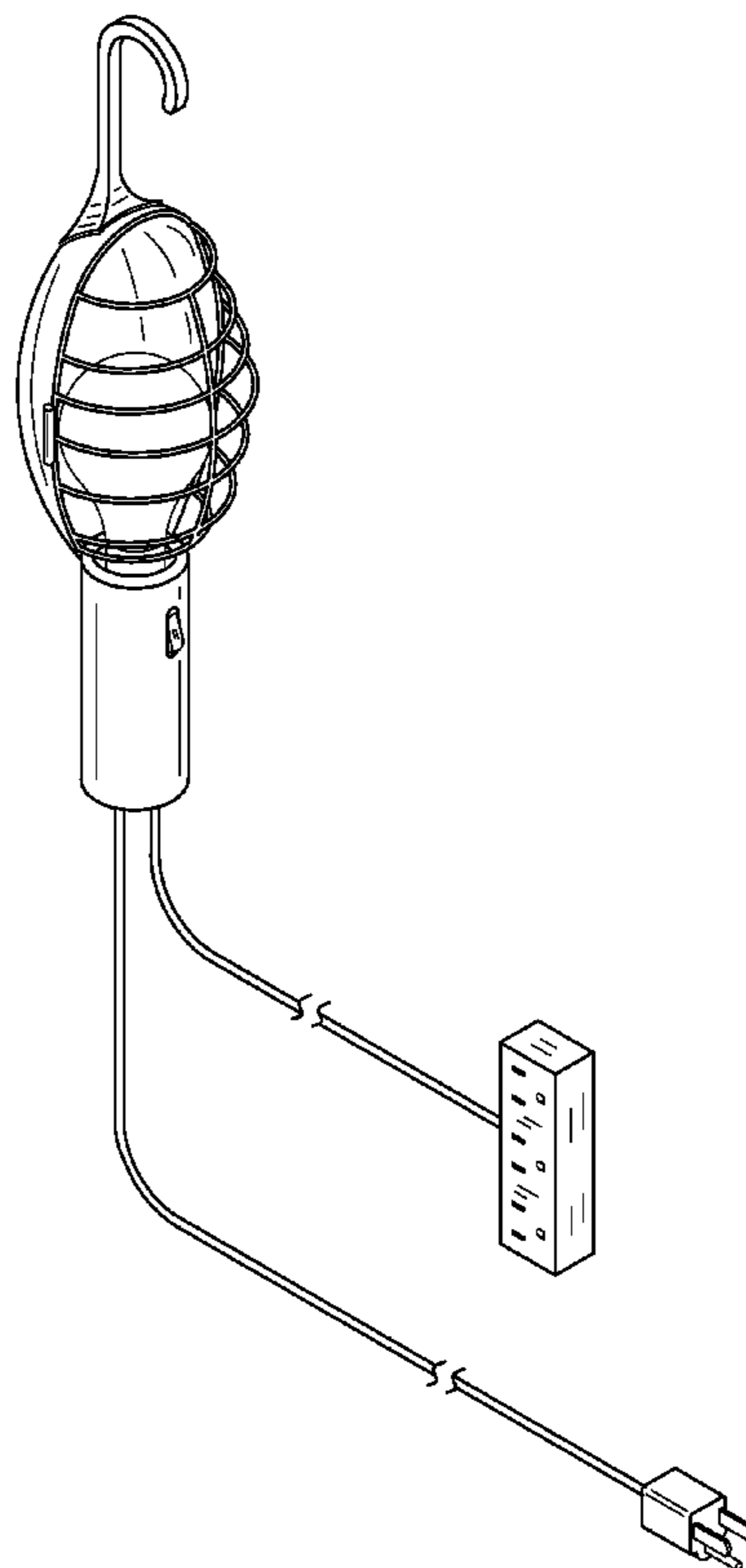
FIG. 4 is a back view thereof;

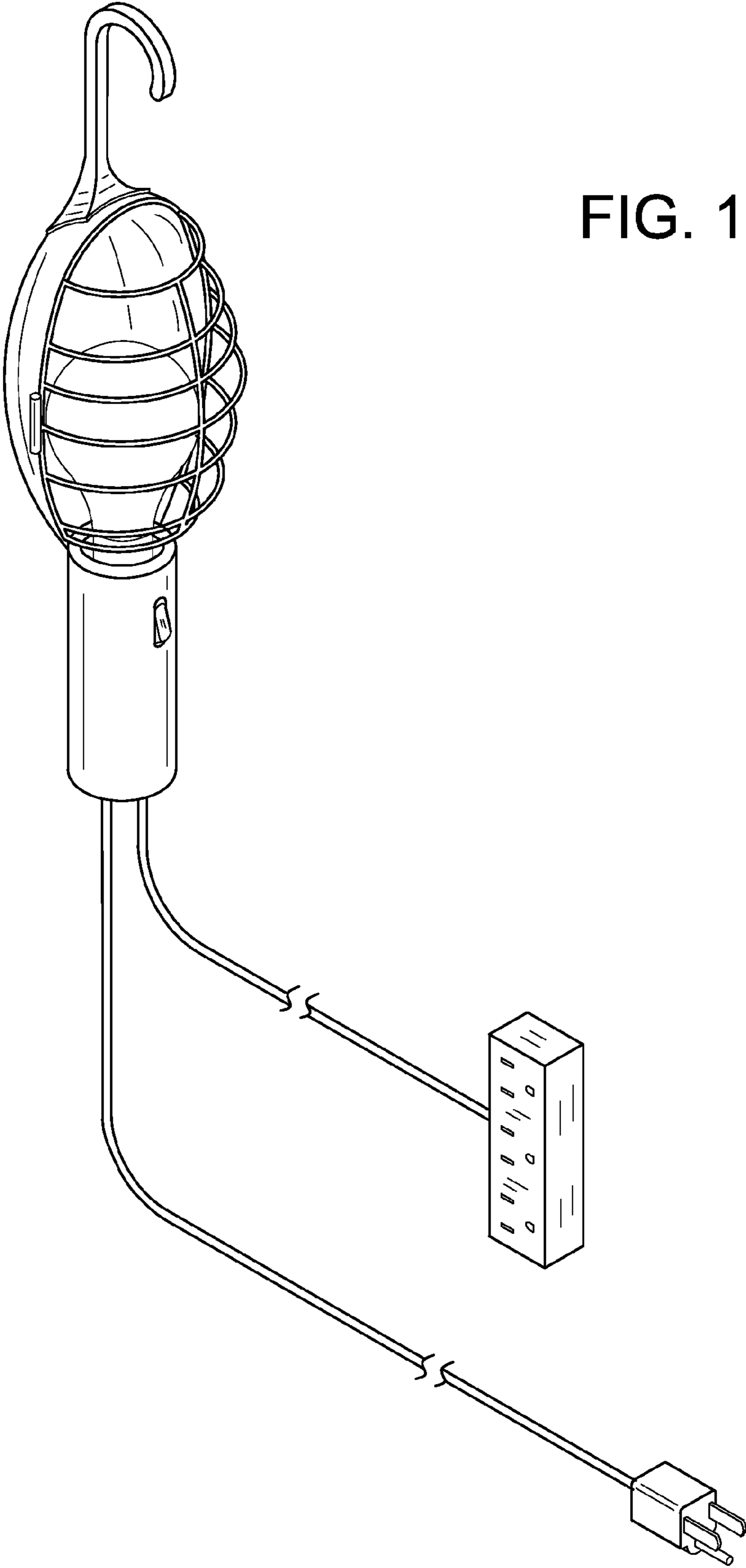
FIG. 5 is a front view thereof;

FIG. 6 is a top view thereof; and,

FIG. 7 is a bottom view thereof.

**1 Claim, 5 Drawing Sheets**





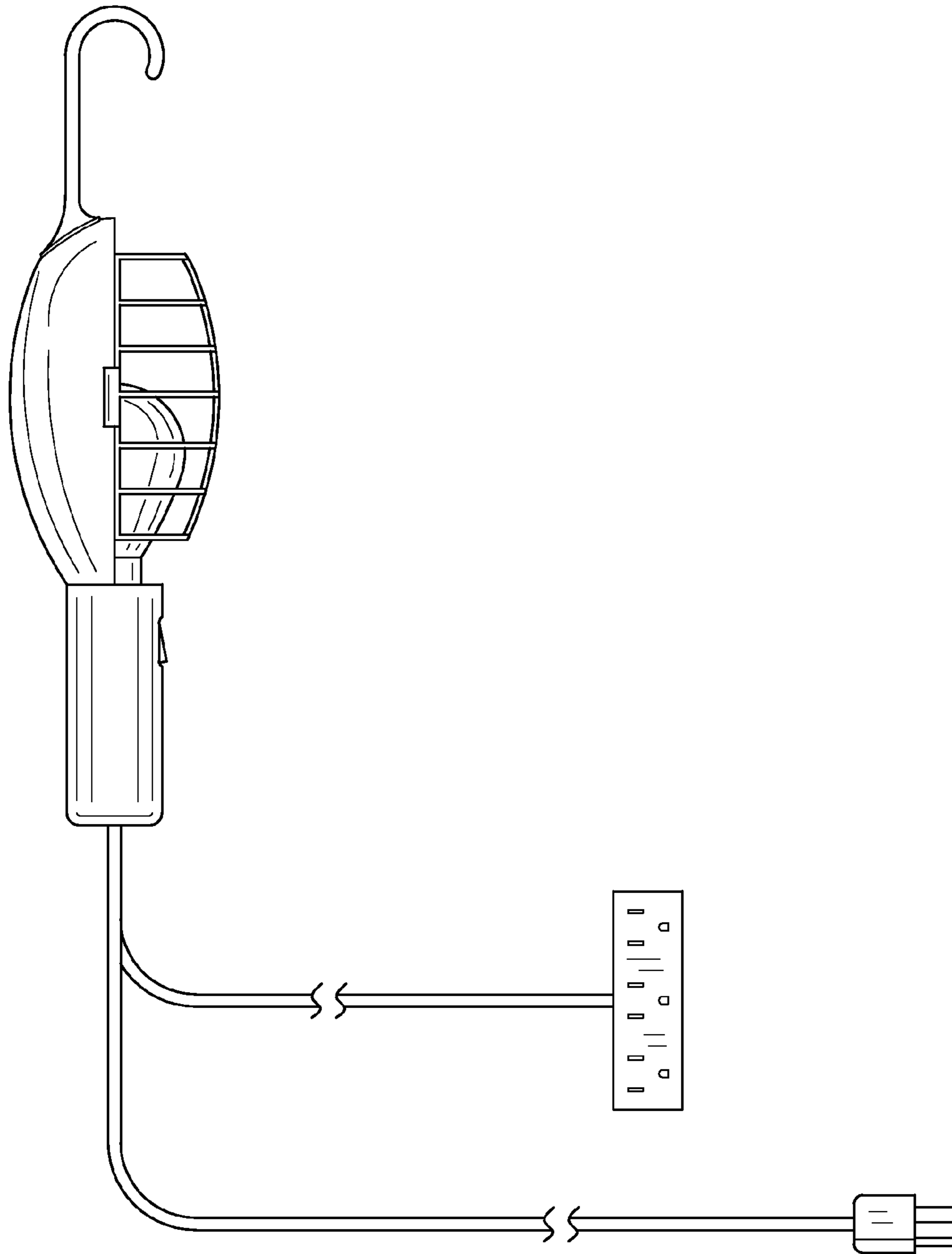


FIG. 2

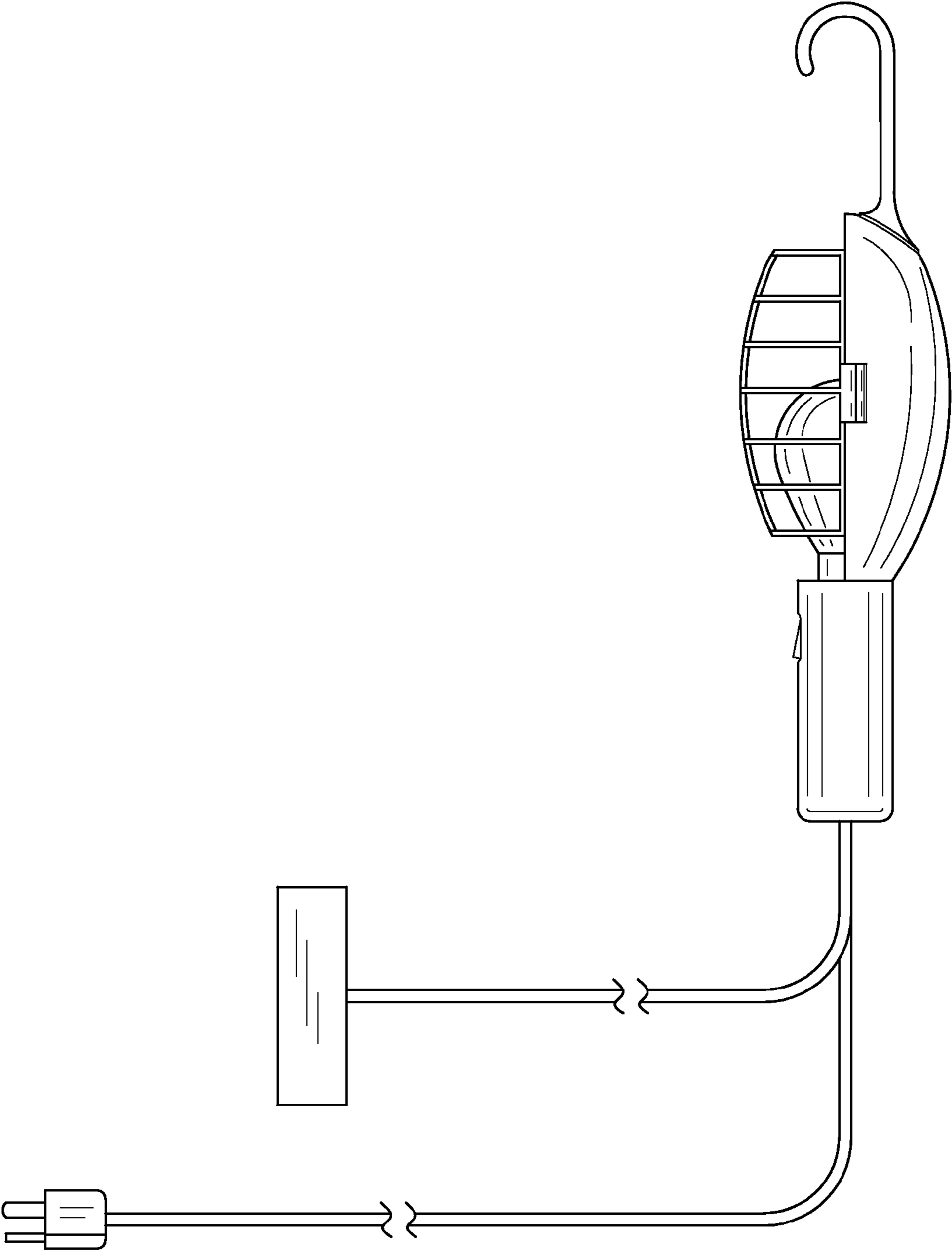


FIG. 3

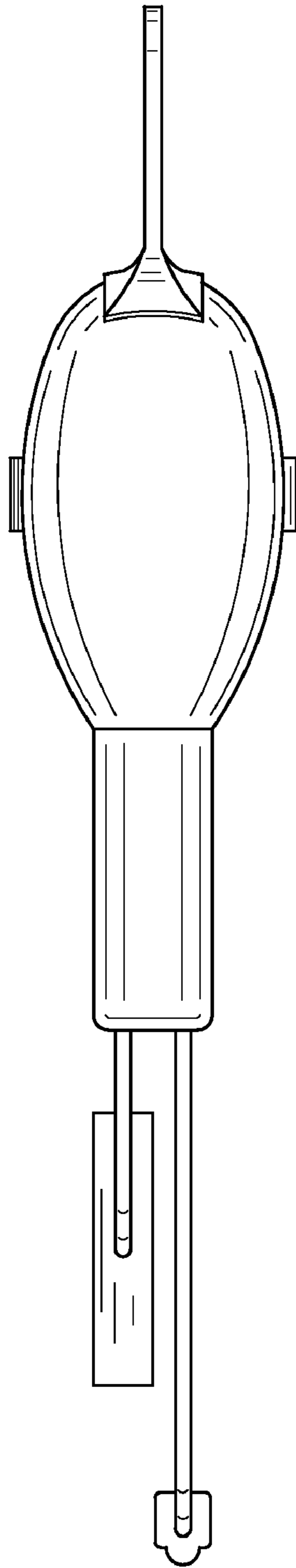


FIG. 4

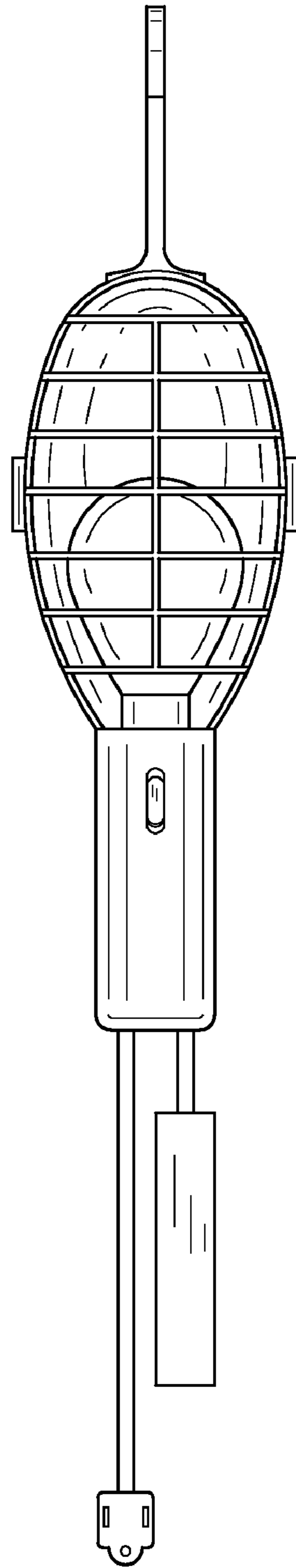


FIG. 5

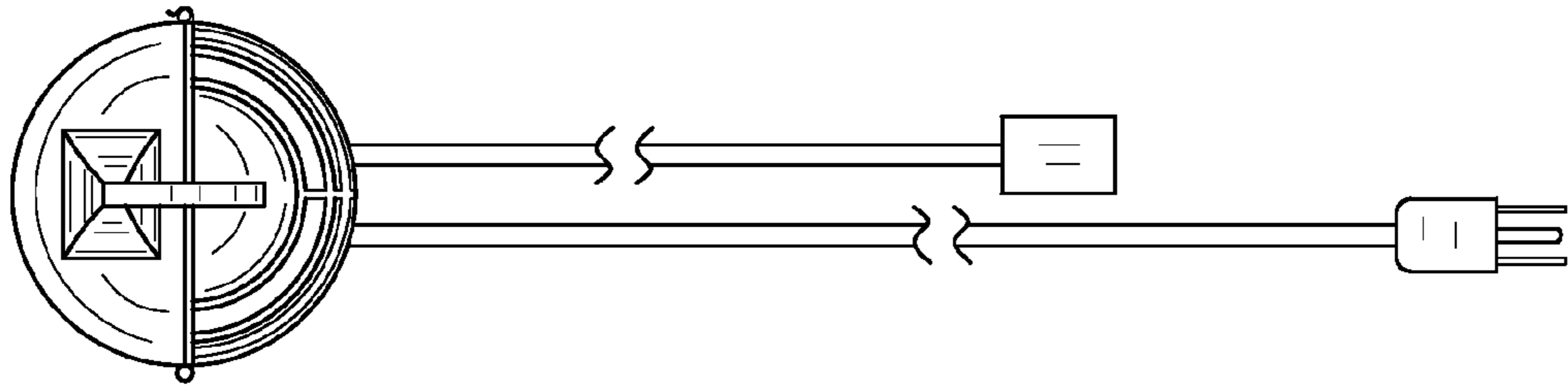


FIG. 6

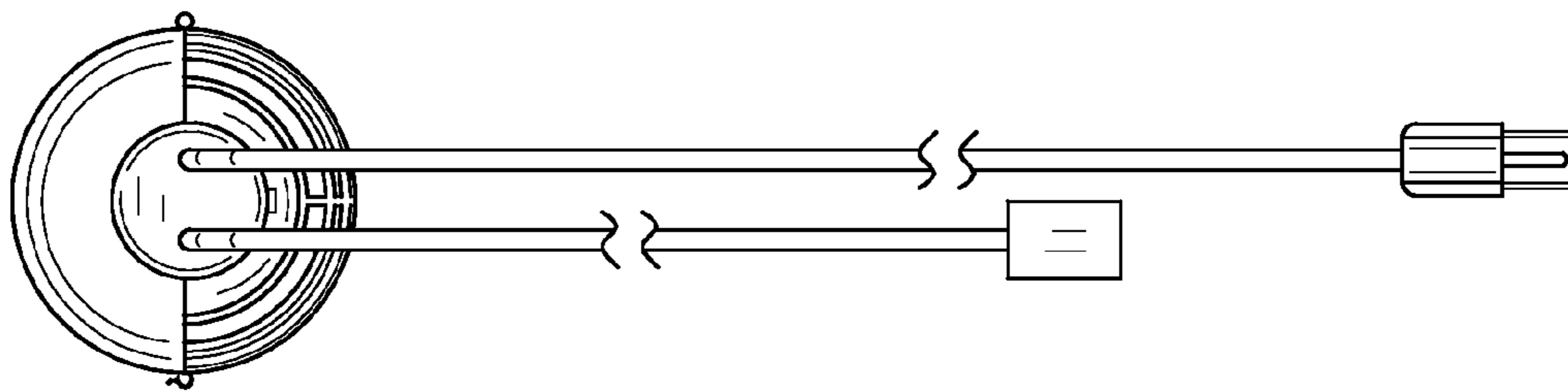


FIG. 7