

US00D603541S

(12) **United States Design Patent**  
**Shiu**

(10) **Patent No.:** **US D603,541 S**

(45) **Date of Patent:** **\*\* Nov. 3, 2009**

(54) **FLASHLIGHT**

(75) Inventor: **Stephanie Wai Man Shiu**, Kowloon  
(HK)

(73) Assignee: **Gold Coral International Limited**, San  
Po Kong, Kowloon (HK)

(\*\*) Term: **14 Years**

(21) Appl. No.: **29/333,872**

(22) Filed: **Mar. 16, 2009**

(30) **Foreign Application Priority Data**

Oct. 2, 2008 (HK) ..... 0802397

(51) **LOC (9) Cl.** ..... **26-02**

(52) **U.S. Cl.** ..... **D26/49; D26/38**

(58) **Field of Classification Search** ..... D26/37,  
D26/38, 39, 46, 49; 362/157, 158, 183, 184,  
362/194-196, 201-208; D19/35, 36  
See application file for complete search history.

(56) **References Cited**

**U.S. PATENT DOCUMENTS**

D149,672 S \* 5/1948 Phillips ..... D26/49  
D430,321 S \* 8/2000 Sharrah ..... D26/37

D452,024 S \* 12/2001 Sharrah ..... D26/49  
D518,906 S \* 4/2006 Stoddard et al. .... D26/37  
D519,657 S \* 4/2006 Stoddard et al. .... D26/37  
D521,164 S \* 5/2006 Sharrah ..... D26/37  
D530,030 S \* 10/2006 Chou ..... D26/37  
D578,236 S \* 10/2008 Dalton ..... D26/49

\* cited by examiner

*Primary Examiner*—Ian Simmons

*Assistant Examiner*—Carissa C Fitts

(74) *Attorney, Agent, or Firm*—Joseph G. Swan, PC

(57) **CLAIM**

The ornamental design for a flashlight, as shown and described.

**DESCRIPTION**

FIG. 1 is a right side elevational view of a flashlight according to the present invention.

FIG. 2 is a left side elevational view of the flashlight.

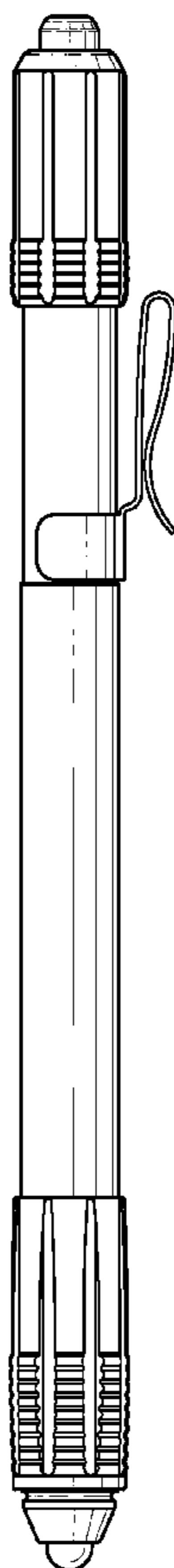
FIG. 3 is a bottom plan view of the flashlight.

FIG. 4 is a top plan view of the flashlight.

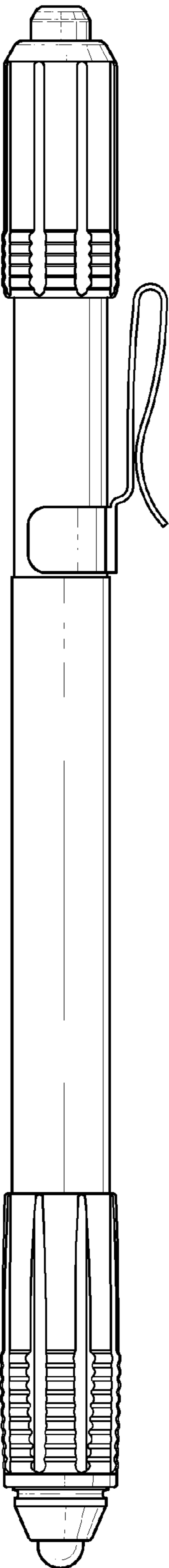
FIG. 5 is a front elevational view of the flashlight; and,

FIG. 6 is a rear elevational view of the flashlight.

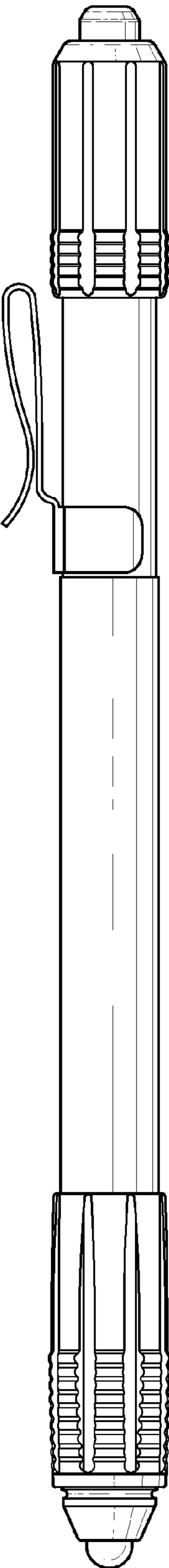
**1 Claim, 2 Drawing Sheets**



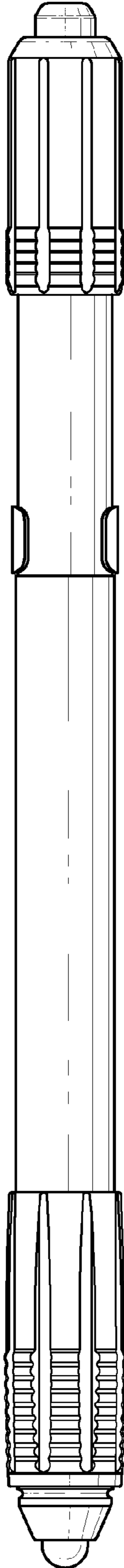
*FIG. 1*



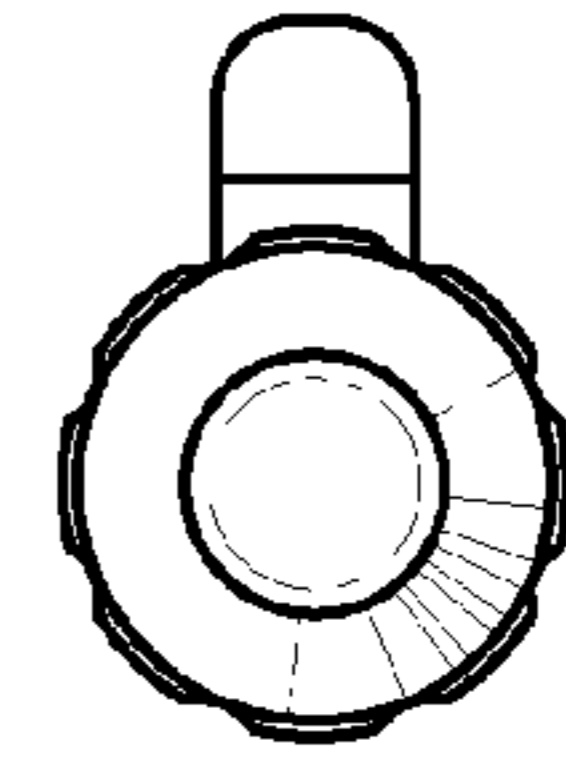
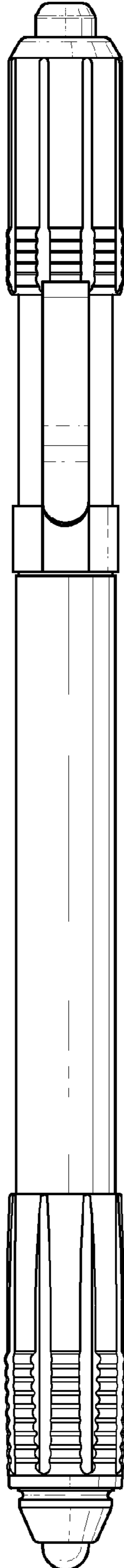
*FIG. 2*



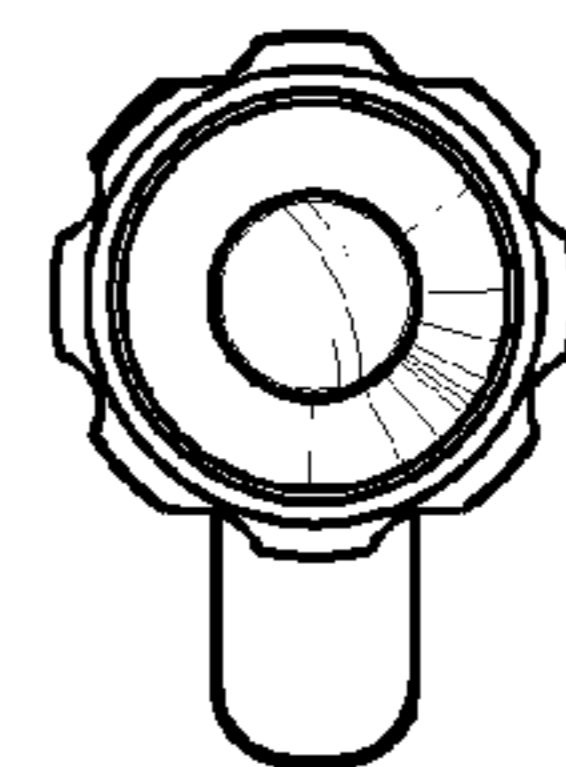
*FIG. 3*



*FIG. 4*



*FIG. 5*



*FIG. 6*