



US00D603540S

(12) **United States Design Patent**
Shum et al.

(10) **Patent No.:** **US D603,540 S**

(45) **Date of Patent:** **** Nov. 3, 2009**

(54) **SPOTLIGHT**

(75) Inventors: **Henry Shum**, Hong Kong (CN); **Chan Wing Chiu**, Hong Kong (CN)

(73) Assignee: **Sunlux Enterprise Ltd.**, Hong Kong (CN)

(**) Term: **14 Years**

(21) Appl. No.: **29/329,729**

(22) Filed: **Dec. 19, 2008**

(51) **LOC (9) Cl.** **26-02**

(52) **U.S. Cl.** **D26/45**

(58) **Field of Classification Search** D26/37-40,
D26/42, 44, 45, 46, 48, 49, 50; 362/157,
362/158, 183-188, 194-208

See application file for complete search history.

(56) **References Cited**

U.S. PATENT DOCUMENTS

D436,200 S *	1/2001	Cheong et al.	D26/45
D480,166 S *	9/2003	Cheung	D26/45
D518,214 S *	3/2006	Krieger et al.	D26/45
D532,136 S *	11/2006	Krieger et al.	D26/45
D532,541 S *	11/2006	Krieger et al.	D26/45
D549,375 S *	8/2007	Krieger et al.	D26/45
D556,352 S *	11/2007	Moser	D26/45

* cited by examiner

Primary Examiner—Ian Simmons

Assistant Examiner—Carissa C Fitts

(74) *Attorney, Agent, or Firm*—Venable LLP; Robert Kinberg; Justine A. Gozzi

(57) **CLAIM**

The ornamental design for a spotlight, as shown and described.

DESCRIPTION

FIG. 1 is a front, right side, top perspective view of a spotlight according to the present invention;

FIG. 2 is a front view of the spotlight of FIG. 1 according to the present invention;

FIG. 3 is a rear view of the spotlight of FIG. 1 according to the present invention;

FIG. 4 is a left view of the spotlight of FIG. 1 according to the present invention;

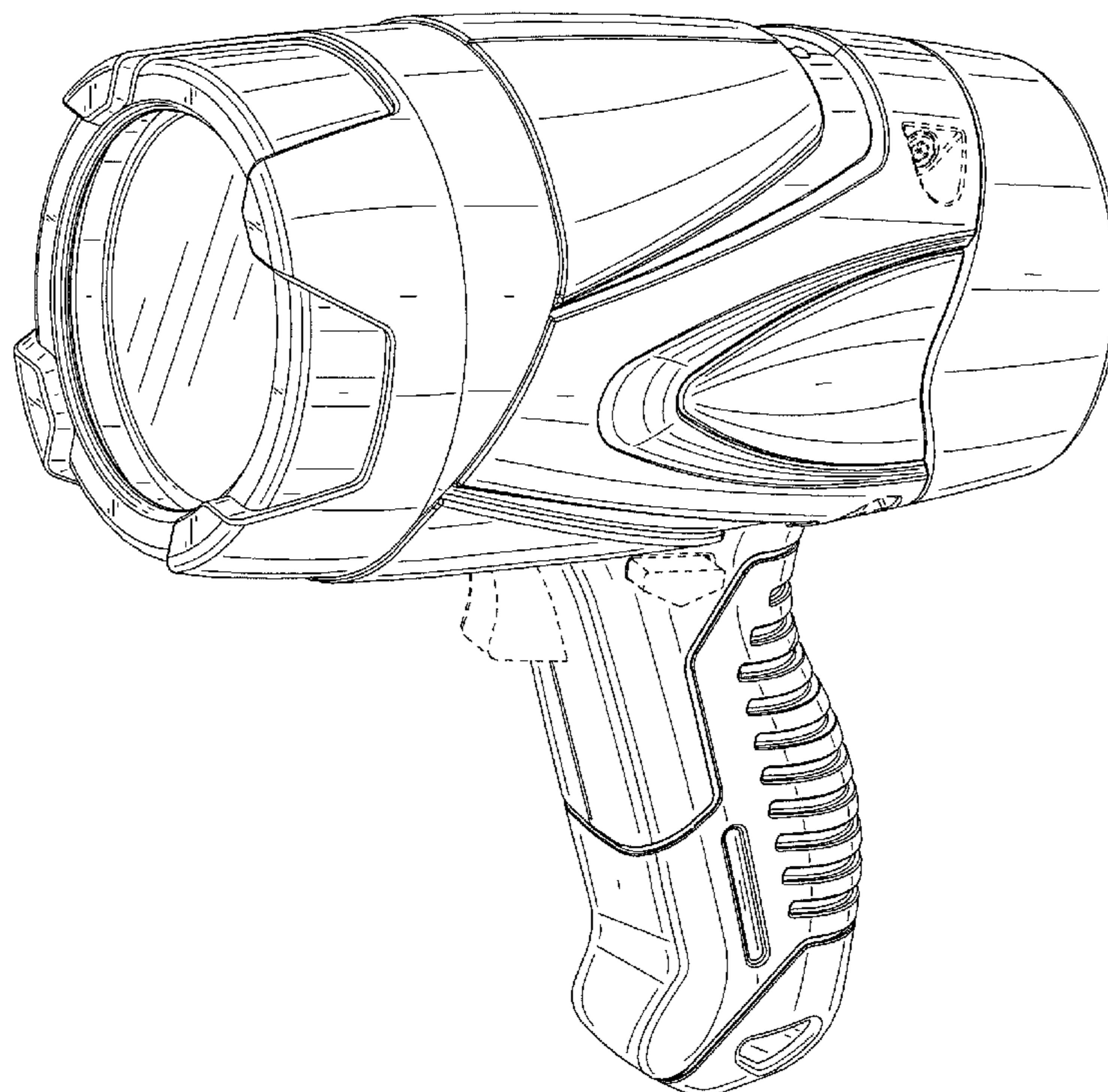
FIG. 5 is a right view of the spotlight of FIG. 1 according to the present invention;

FIG. 6 is a top view of the spotlight of FIG. 1 according to the present invention; and,

FIG. 7 is a bottom view of a spotlight according to the present invention.

The broken line showing of spotlight is for the purpose of illustrating environmental structure and forms no part of the claimed design. The broken line(s) which define the bounds of the claimed design form no part thereof.

1 Claim, 7 Drawing Sheets



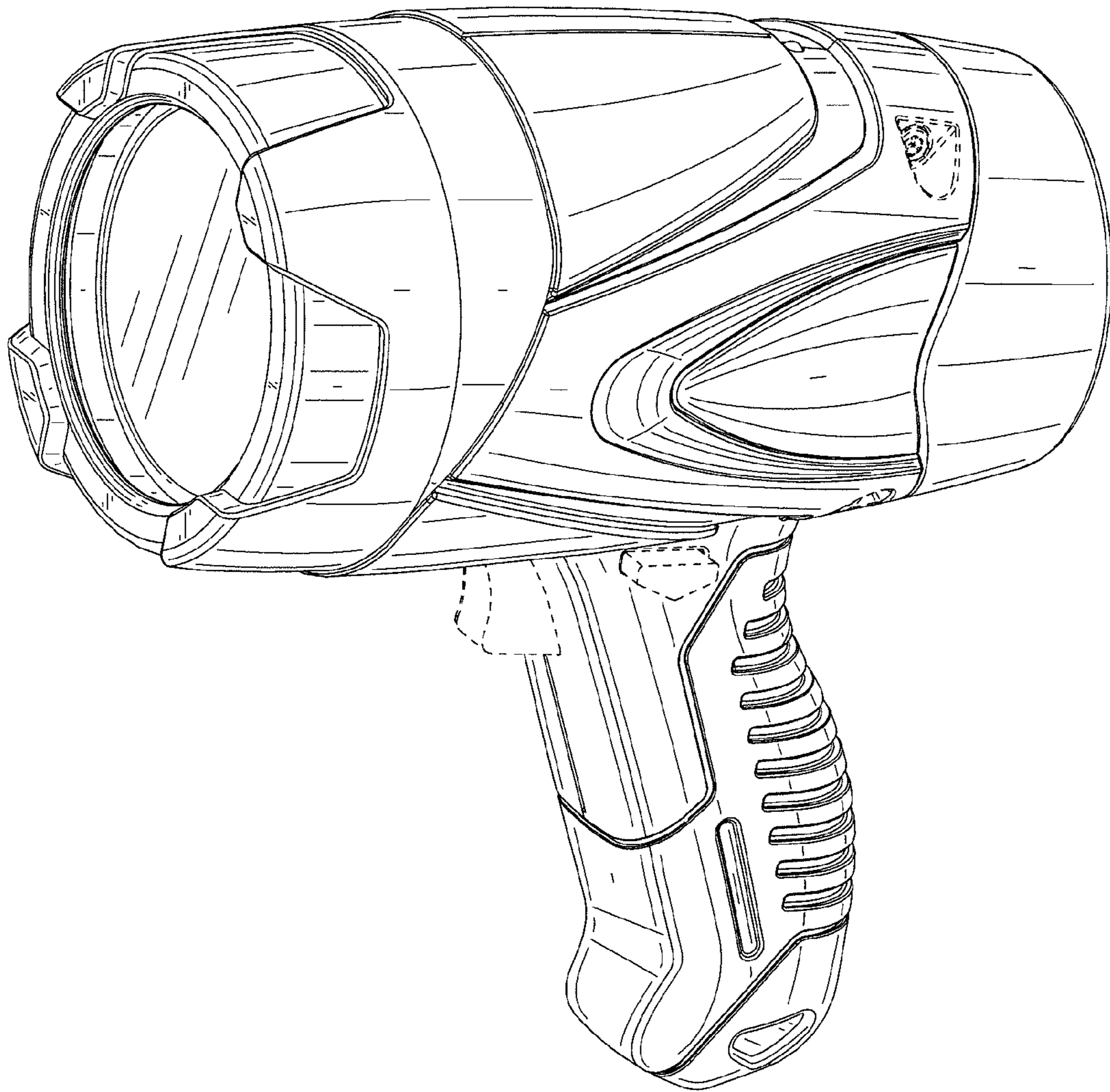


FIG. 1

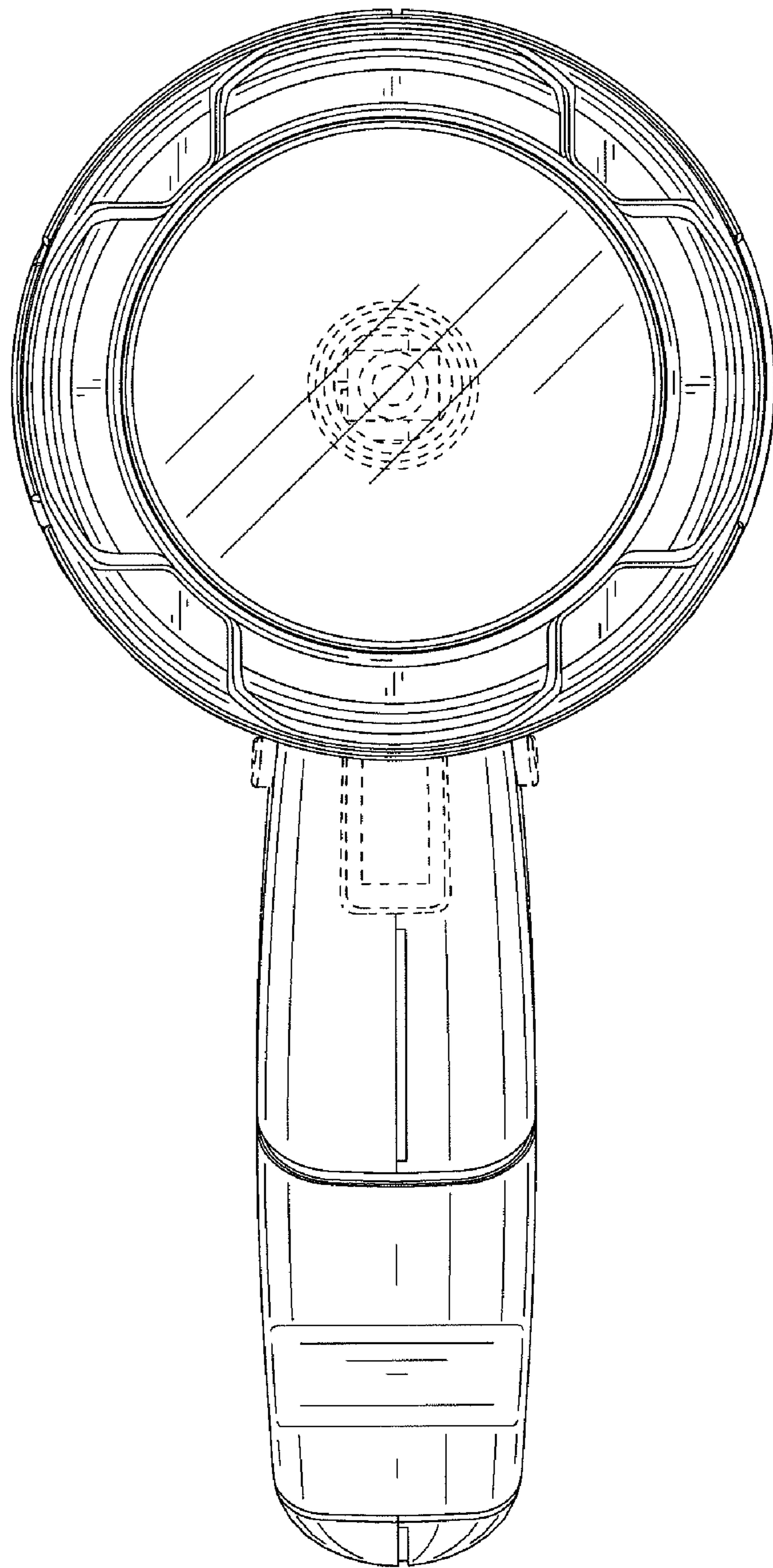


FIG. 2

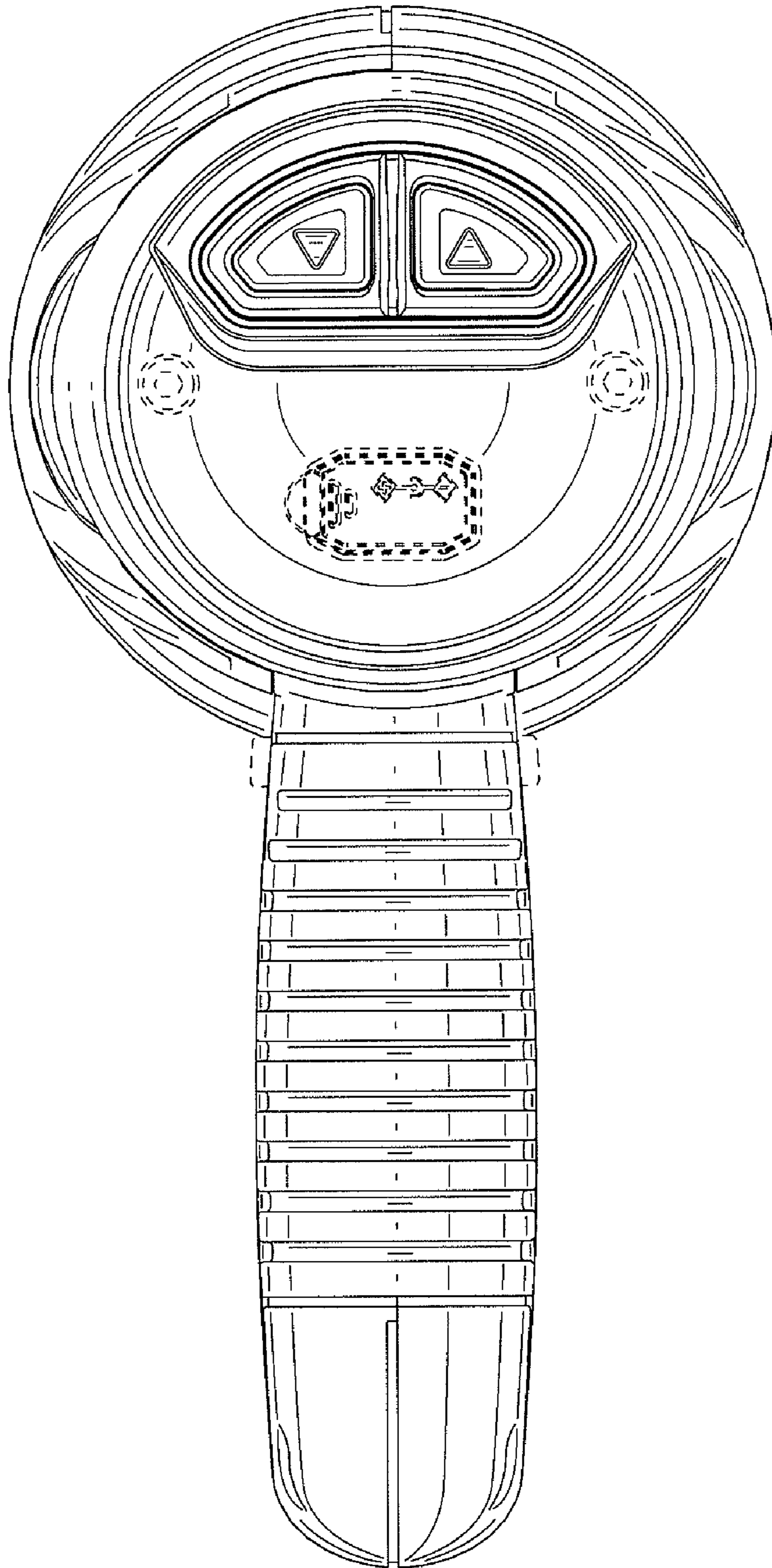


FIG. 3

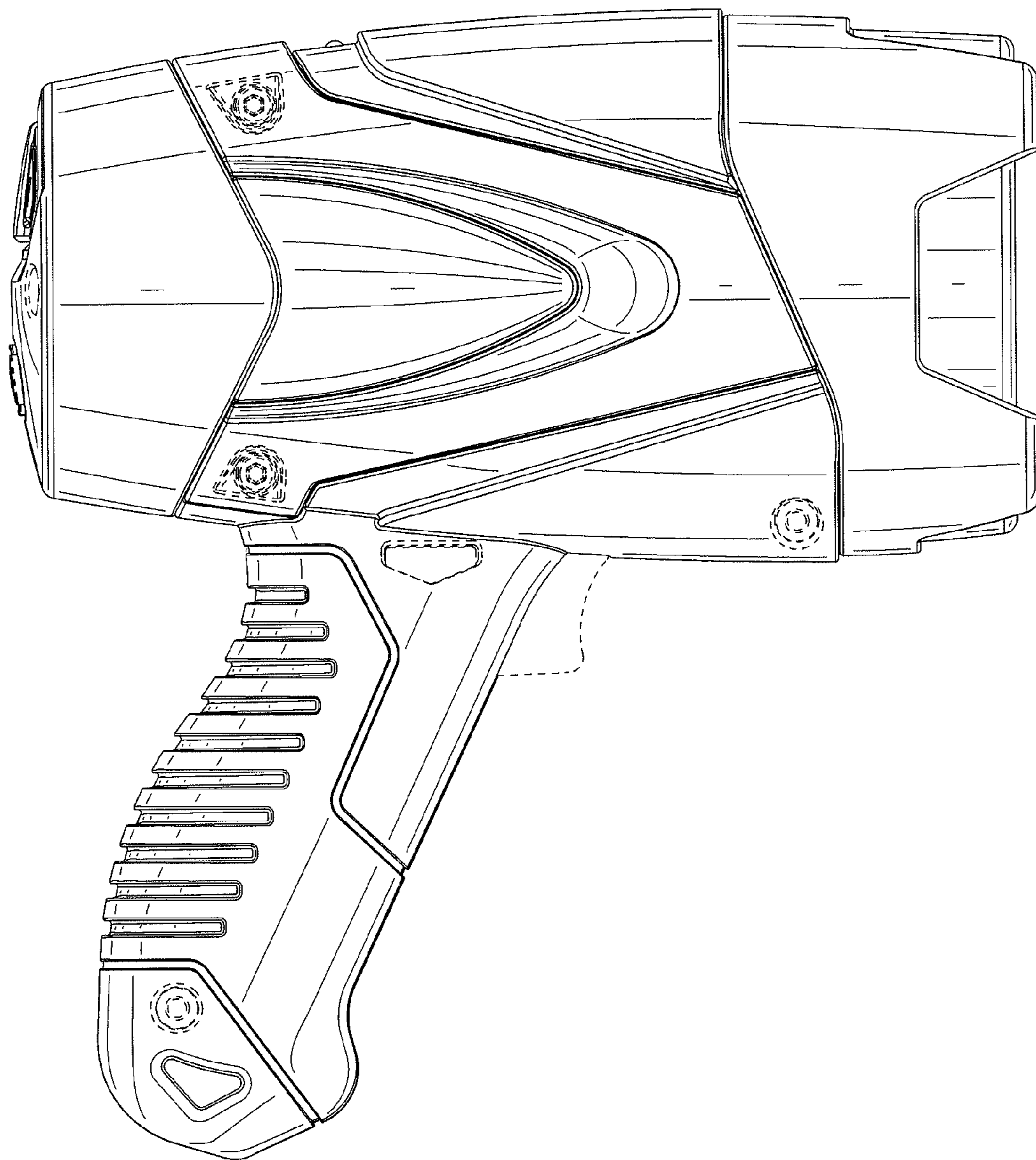


FIG. 4

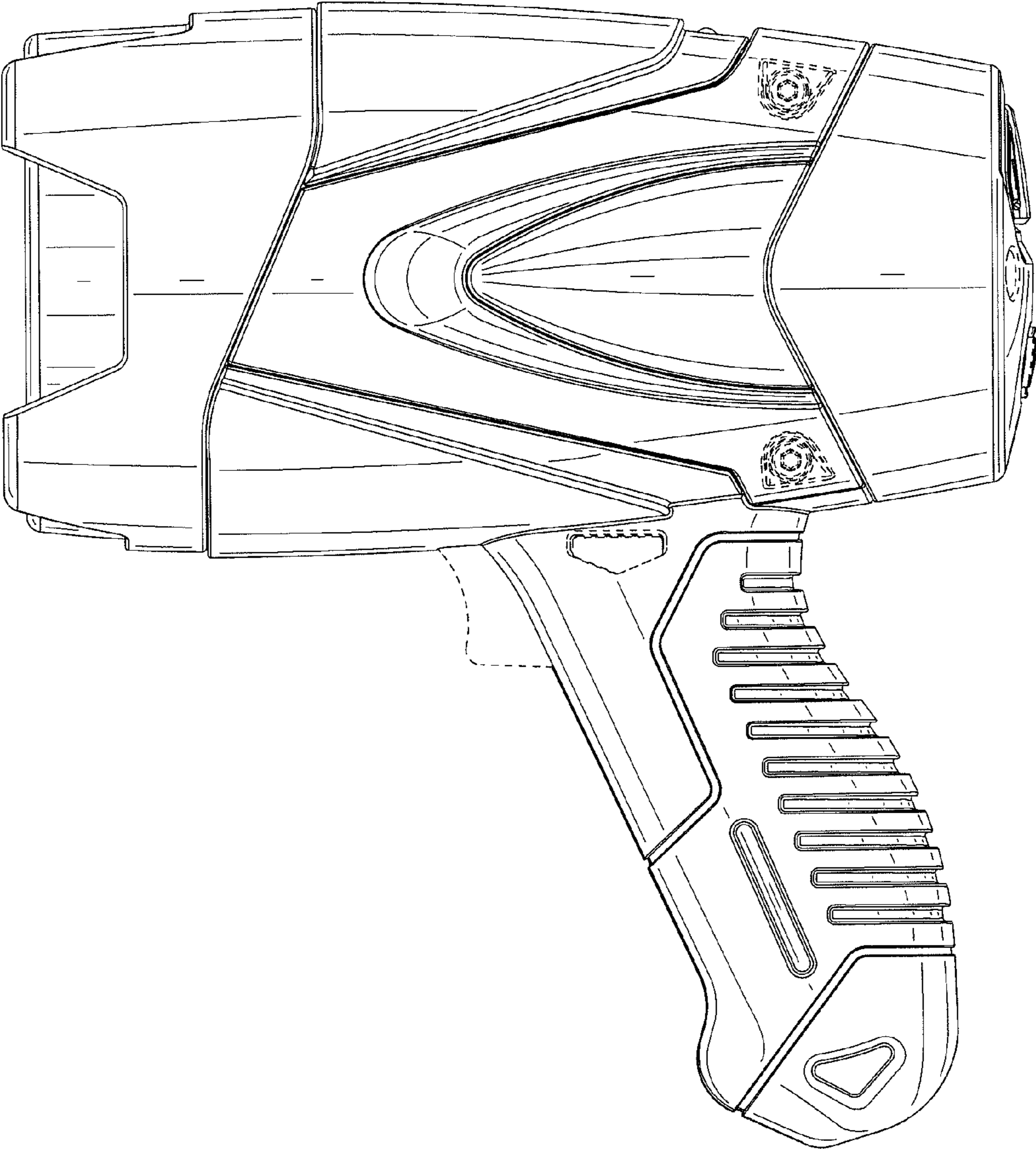


FIG. 5

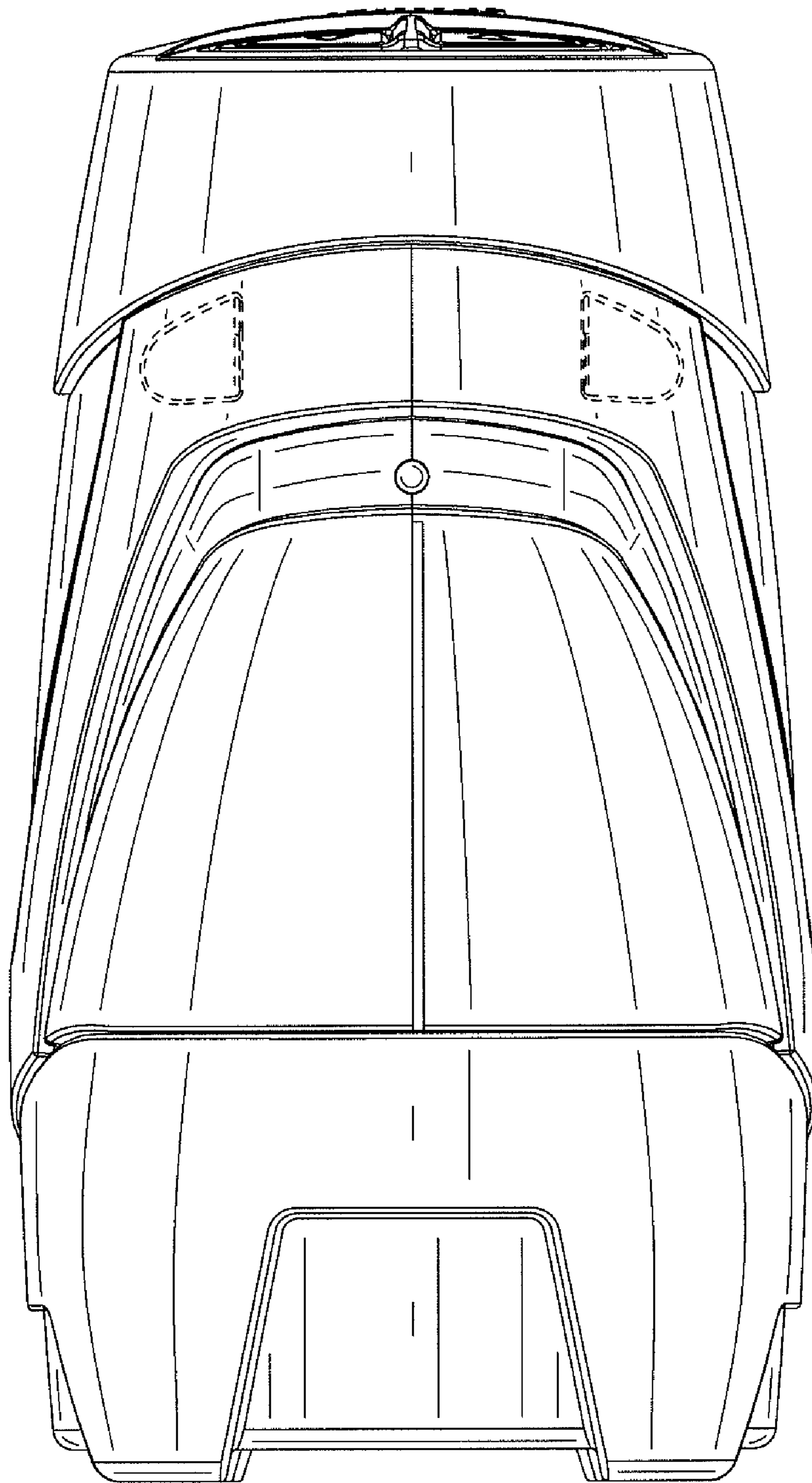


FIG. 6

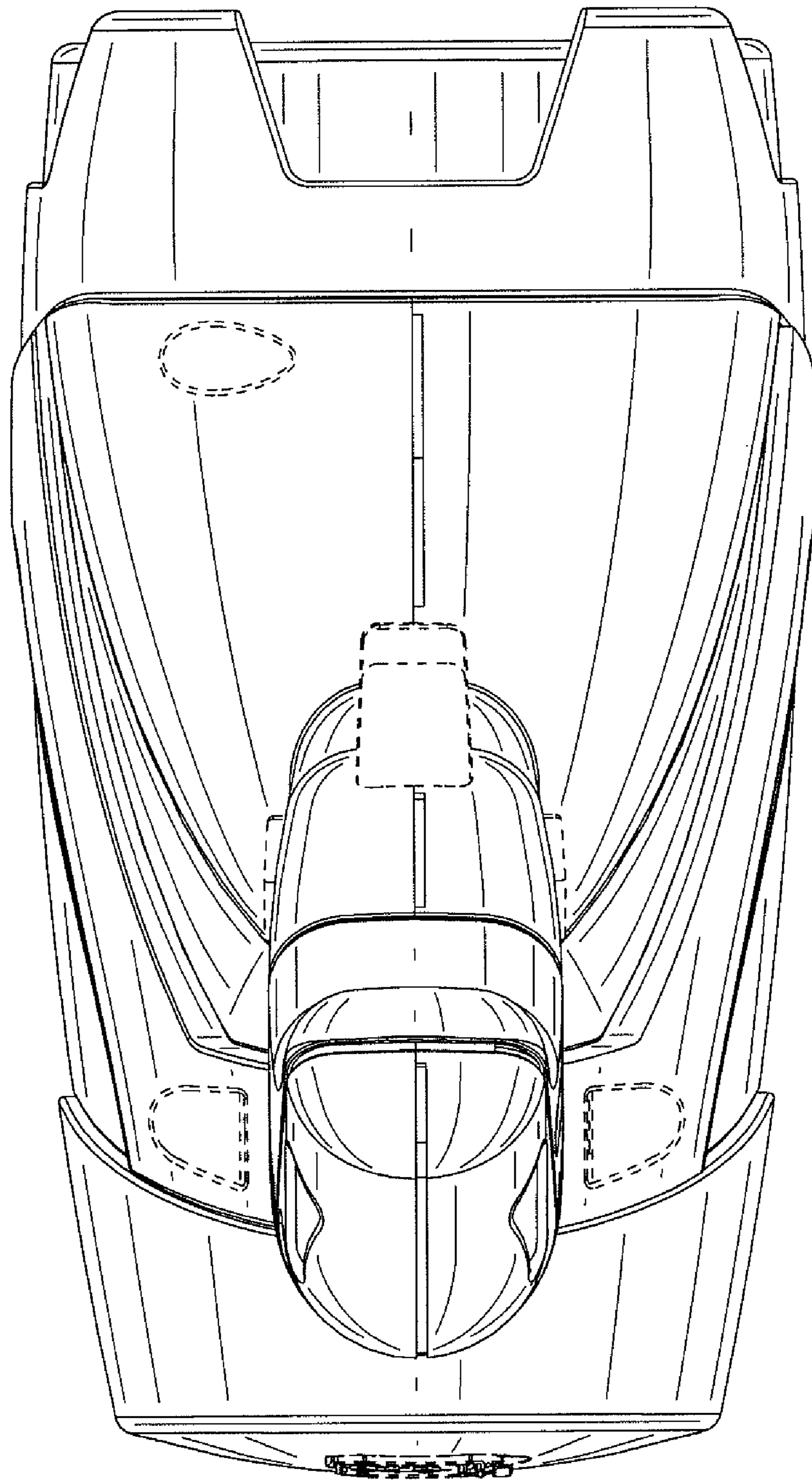


FIG. 7