



US00D603539S

(12) **United States Design Patent**  
**Shiu**

(10) **Patent No.:** **US D603,539 S**

(45) **Date of Patent:** **\*\* Nov. 3, 2009**

(54) **PORTABLE LIGHT SOURCE**

(75) **Inventor:** **Stephanie Wai Man Shiu, Kowloon (HK)**

(73) **Assignee:** **Gold Coral International Limited, San Po Kong, Kowloon (HK)**

(\*\*) **Term:** **14 Years**

(21) **Appl. No.:** **29/333,876**

(22) **Filed:** **Mar. 16, 2009**

(30) **Foreign Application Priority Data**

Nov. 25, 2008 (HK) ..... 0802805.8

(51) **LOC (9) Cl.** ..... **26-02**

(52) **U.S. Cl.** ..... **D26/39**

(58) **Field of Classification Search** ..... D26/37,  
D26/39, 38, 46; 362/103-108, 157, 158,  
362/184, 191-194, 200-208

See application file for complete search history.

(56) **References Cited**

**U.S. PATENT DOCUMENTS**

D470,615 S \* 2/2003 Janice et al. .... D26/39  
D472,998 S \* 4/2003 Paris et al. .... D26/39  
D506,846 S \* 6/2005 Kang et al. .... D26/39  
D542,450 S \* 5/2007 Shiu ..... D26/60

D554,782 S \* 11/2007 Shiu ..... D26/39  
D556,927 S \* 12/2007 Shiu ..... D26/39  
D566,310 S \* 4/2008 Alessio ..... D26/39  
D568,509 S \* 5/2008 Shiu ..... D26/39  
D579,133 S \* 10/2008 Shiu ..... D26/39  
D592,782 S \* 5/2009 Hine et al. .... D26/39

\* cited by examiner

*Primary Examiner*—Ian Simmons

*Assistant Examiner*—Carissa C Fitts

(74) *Attorney, Agent, or Firm*—Joseph G. Swan, PC

(57) **CLAIM**

The ornamental design for a portable light source, as shown and described.

**DESCRIPTION**

FIG. 1 is a front elevational view of a portable light source according to the present invention.

FIG. 2 is a rear elevational view of the portable light source.

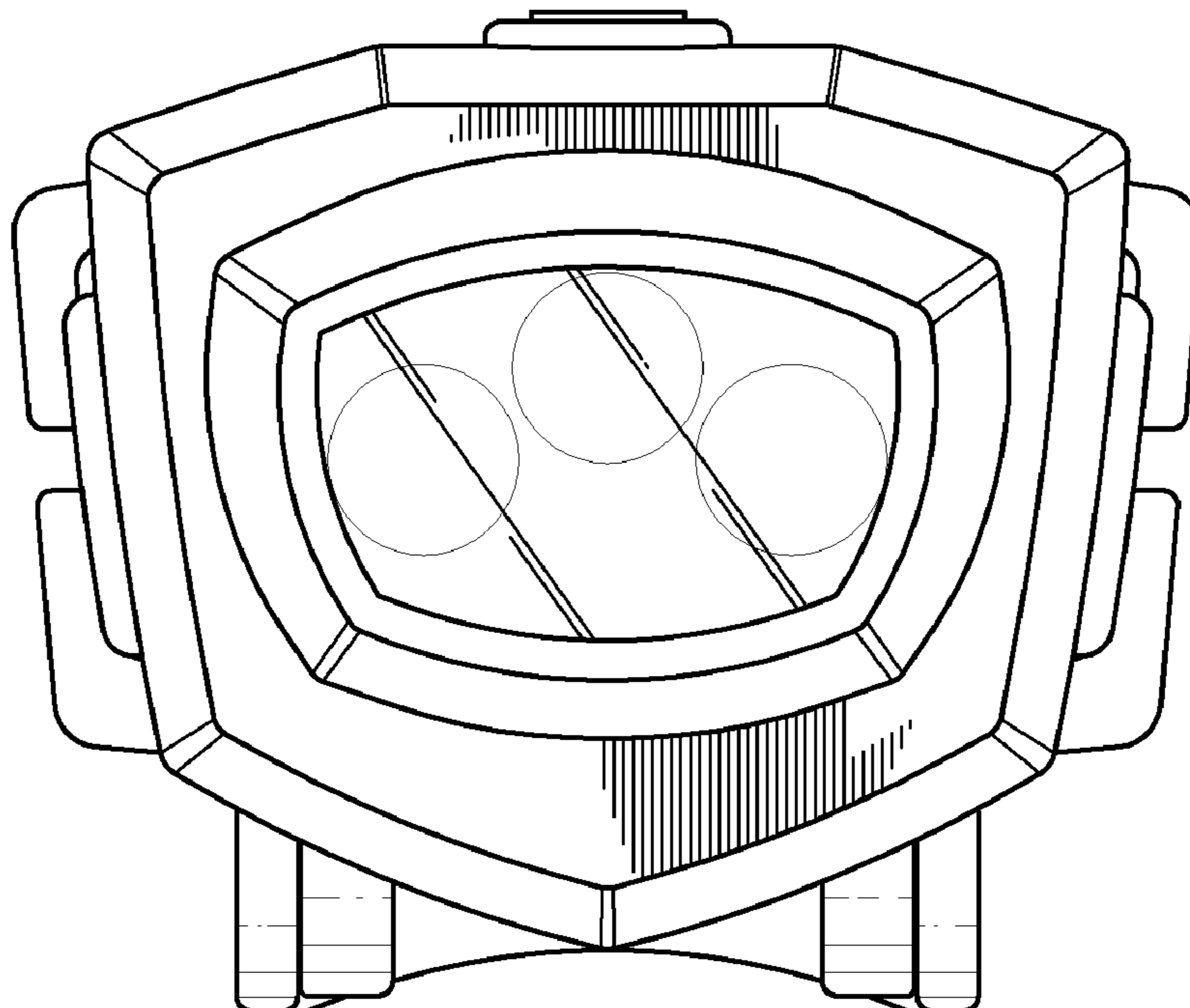
FIG. 3 is a right side elevational view of the portable light source.

FIG. 4 is a left side elevational view of the portable light source.

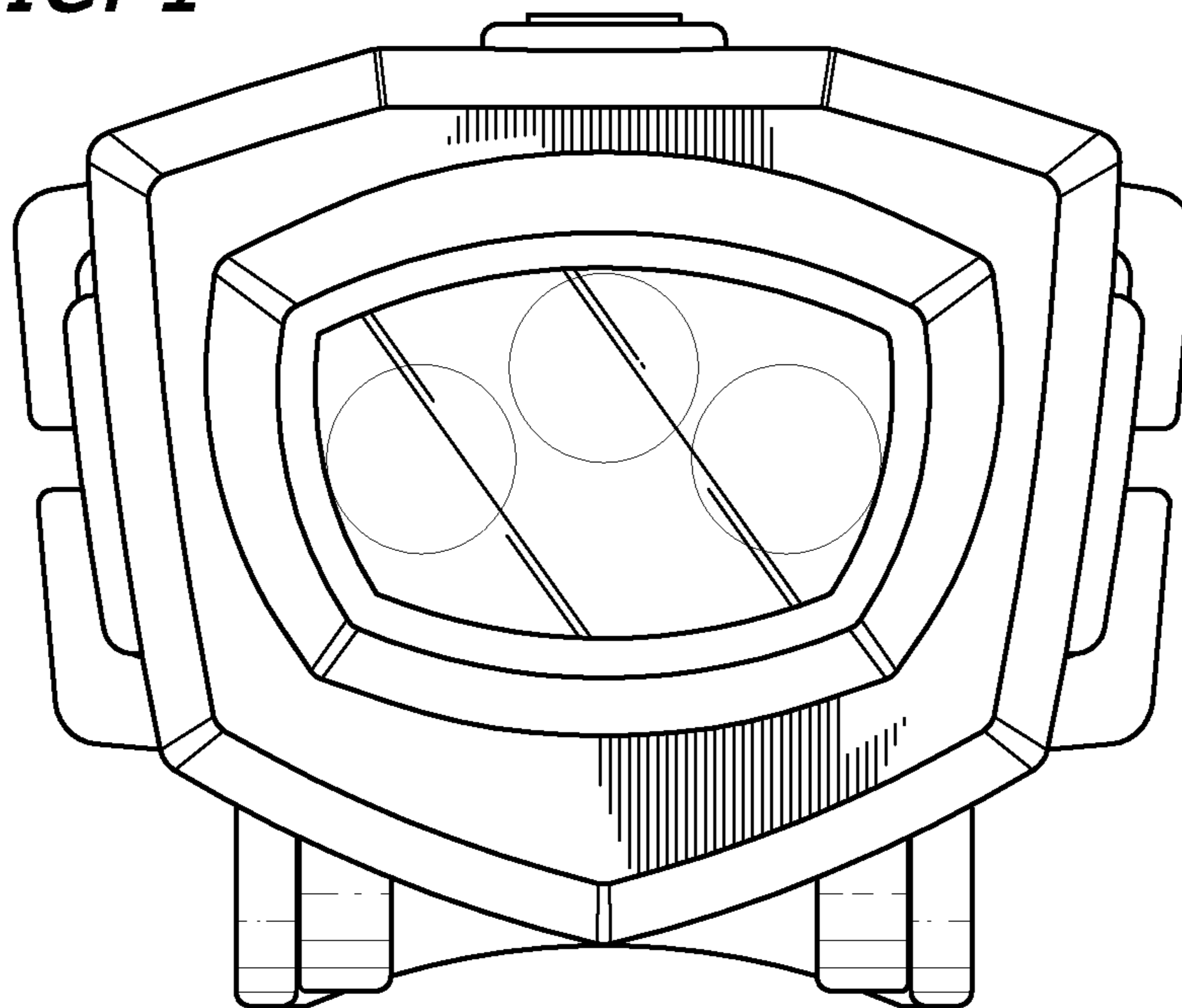
FIG. 5 is a top plan view of the portable light source; and,

FIG. 6 is a bottom plan view of the portable light source.

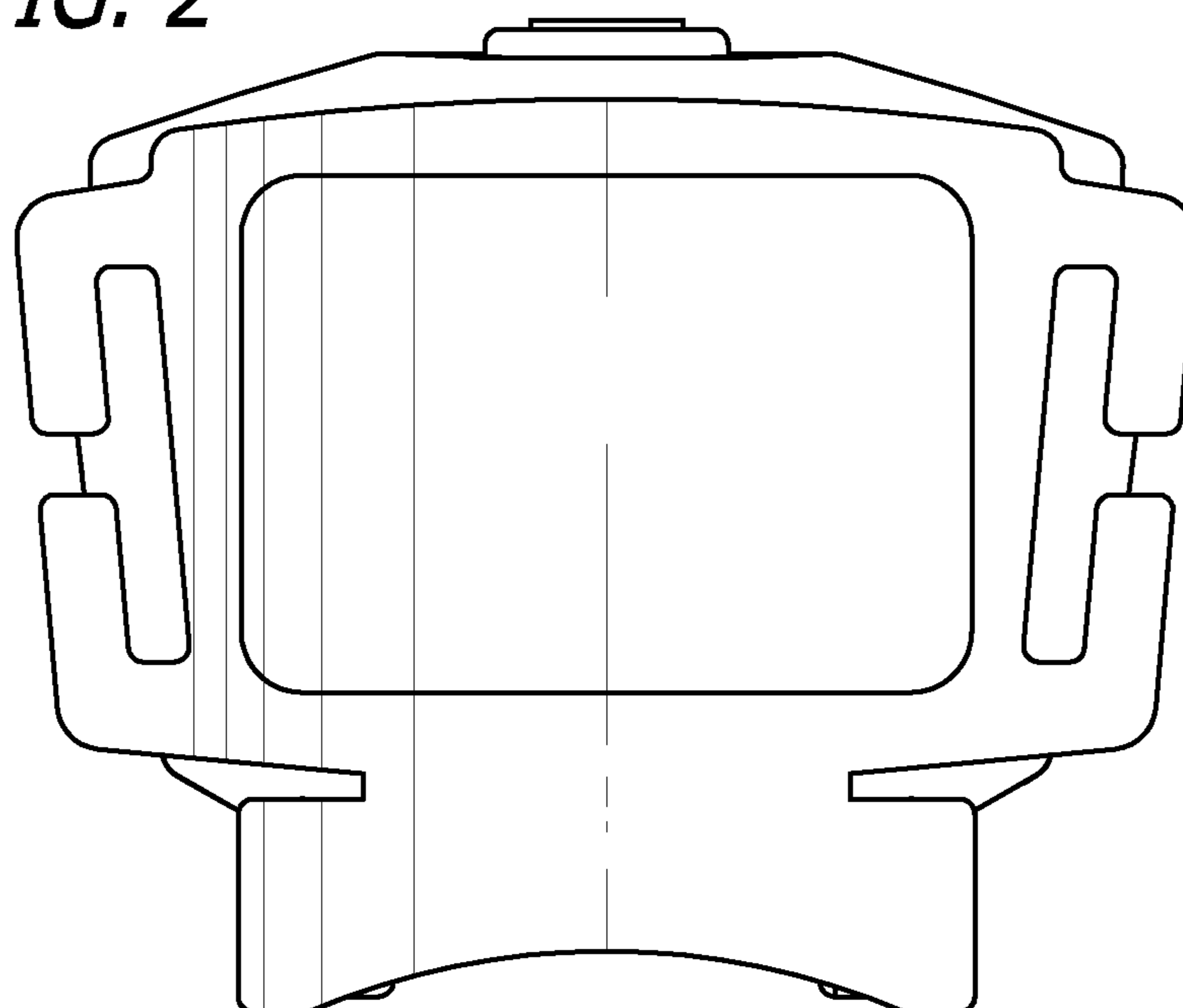
**1 Claim, 3 Drawing Sheets**



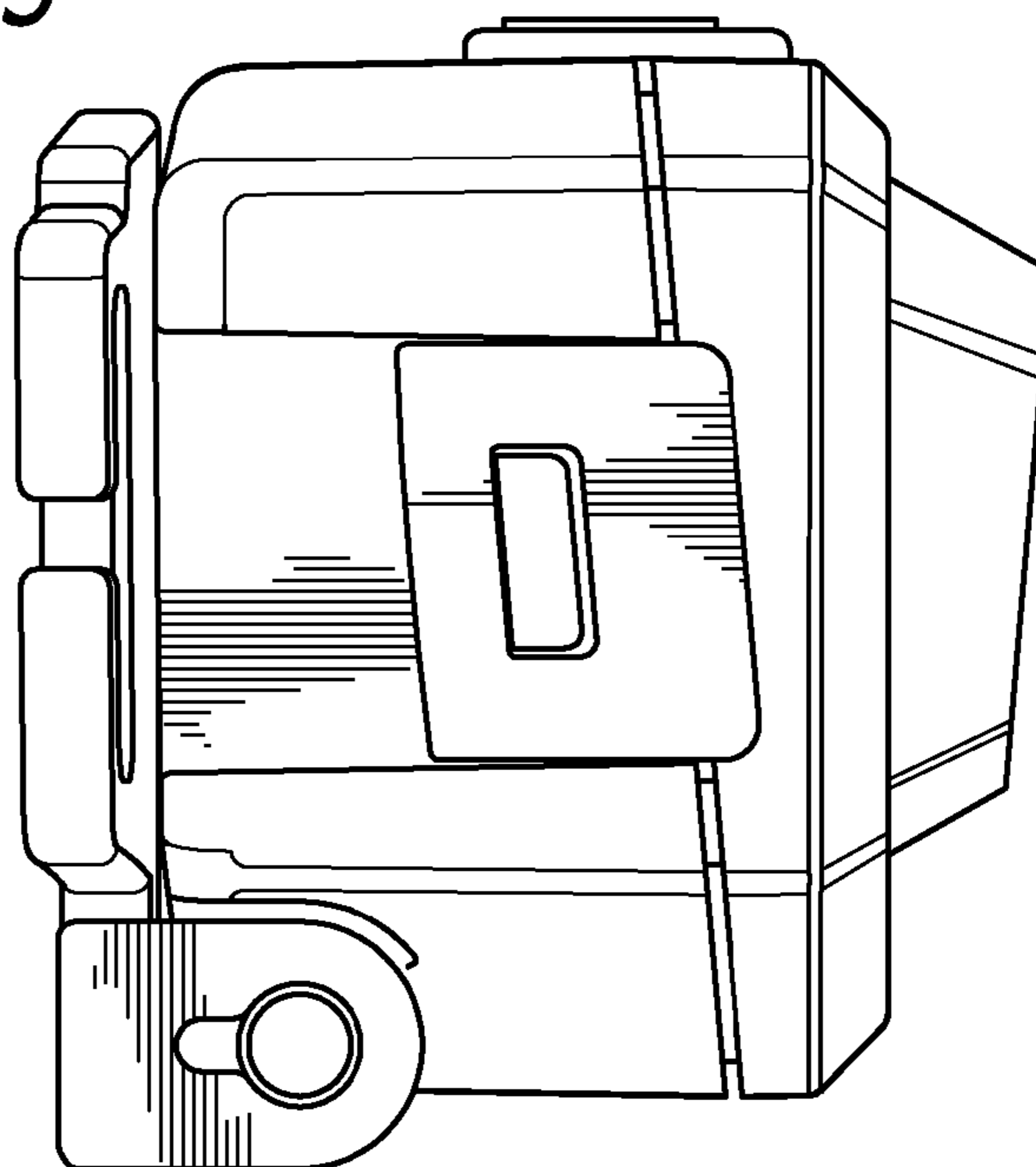
*FIG. 1*



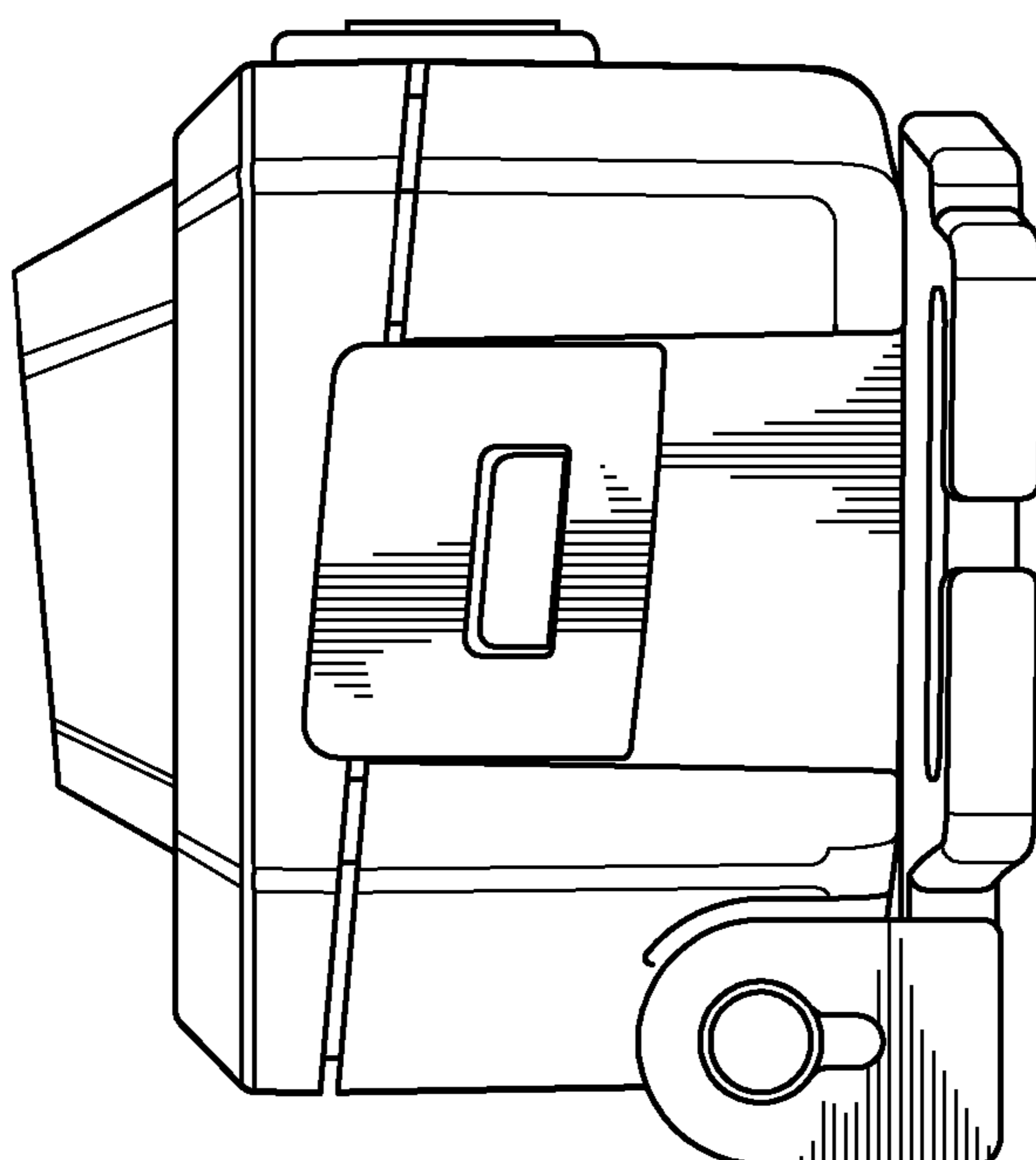
*FIG. 2*



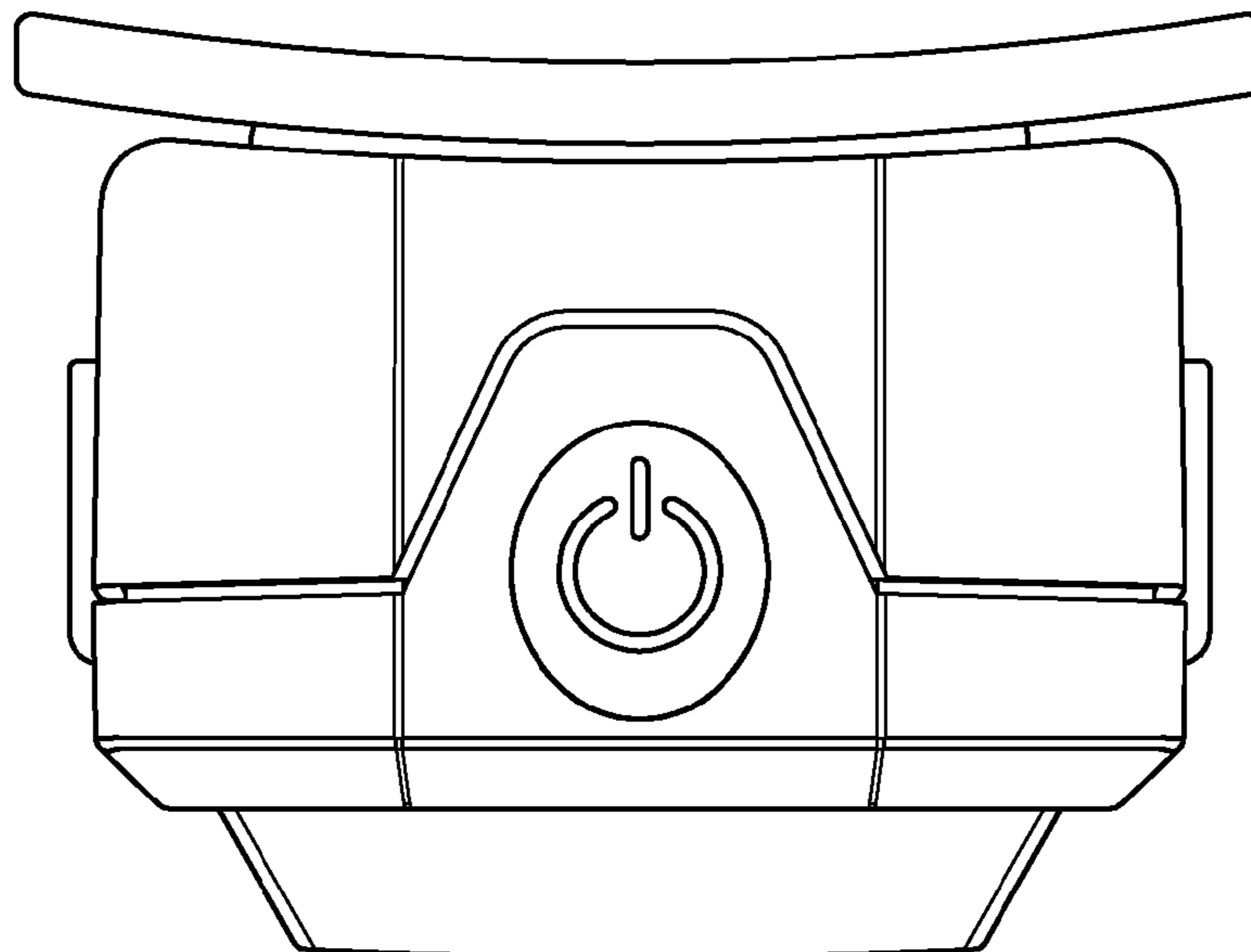
*FIG. 3*



*FIG. 4*



*FIG. 5*



*FIG. 6*

