



US00D603537S

(12) **United States Design Patent**
Rowehl et al.

(10) **Patent No.:** **US D603,537 S**
(45) **Date of Patent:** **** Nov. 3, 2009**

(54) **MARINE UNDERWATER SURFACE MOUNT LIGHT**

(75) Inventors: **Cheryl Rowehl**, Shirley, NY (US);
Robert J. Kouril, Westhampton, NY (US);
LuAnn Kouril, Westhampton, NY (US);
Edward J. Walter, Brooklyn, NY (US);
James T. Rowehl, Shirley, NY (US);
Jianzheng Liu, Zhuhai (CN)

(73) Assignee: **Briter Innovations, Inc.**, Shirley, NY (US)

(**) Term: **14 Years**

(21) Appl. No.: **29/307,655**

(22) Filed: **May 2, 2008**

(51) **LOC (9) Cl.** **26-04**

(52) **U.S. Cl.** **D26/36; D26/72**

(58) **Field of Classification Search** D26/24,
D26/36, 37, 44, 60, 61, 63, 72, 80, 138; 362/98,
362/99, 101, 182, 202, 267, 473, 477, 515

See application file for complete search history.

(56) **References Cited**

U.S. PATENT DOCUMENTS

D31,900 S *	11/1899	Brown	D26/138
D52,001 S *	5/1918	Adam	D26/135
D306,767 S *	3/1990	Ziaylek, Jr.	D26/36
7,125,146 B2	10/2006	Willis et al.		
7,553,040 B2 *	6/2009	Boothe et al.	362/101
2006/0250789 A1 *	11/2006	Coushaine	362/157

OTHER PUBLICATIONS

“Sea Vision” surface mounted LED light model #SV42 from Underwater Lights USA, LLC. downloaded Aug. 14, 2009.*

“Deck Vision” Model #DV41 from Underwater Lights USA, LLC. downloaded Aug. 14, 2009.*

<http://www.abyssslite.com/undervvater-lights.php> Underwater Marine Boat Lights, visited on Feb. 5, 2008, 1 page.

http://www.sealandsanitation.com/sea_blaze.htm Sea Blaze, SeaBlaze Underwater Light, visited on Feb. 26, 2008, 2 pages.

Http://www.tradekey.com/product_view/id/157435.htm Tradekey, LED Marine Light, visited on Feb. 26, 2008, 2 pages.

http://wwwv.tradekey.com/product_listall/uid/491856/Herui-Internation-Limited.htm Tradekey, LED Marine Light (Dec. 16, 2006), visited on Feb. 26, 2008, 2 pages.

Briter Innovations, Inc., “LED Specifications”—Bay Light / Canyon Light.

* cited by examiner

Primary Examiner—Clare E Heflin

(74) *Attorney, Agent, or Firm*—Collard & Roe, P.C.

(57) **CLAIM**

The ornamental design for a marine underwater surface mount light, as shown and described.

DESCRIPTION

FIG. 1 shows a perspective view of our design for a marine underwater surface mount light;

FIG. 2 shows a top view thereof,

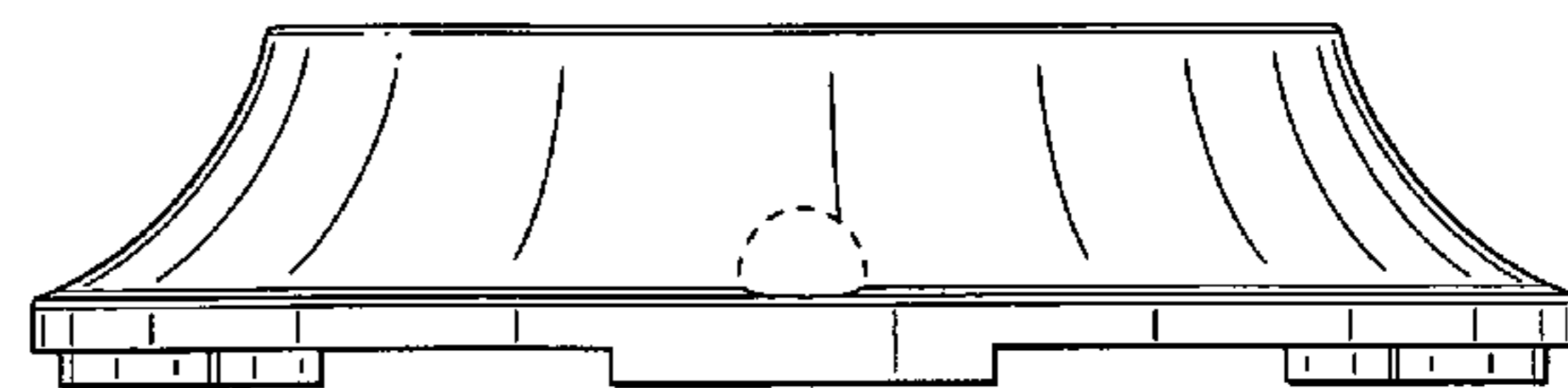
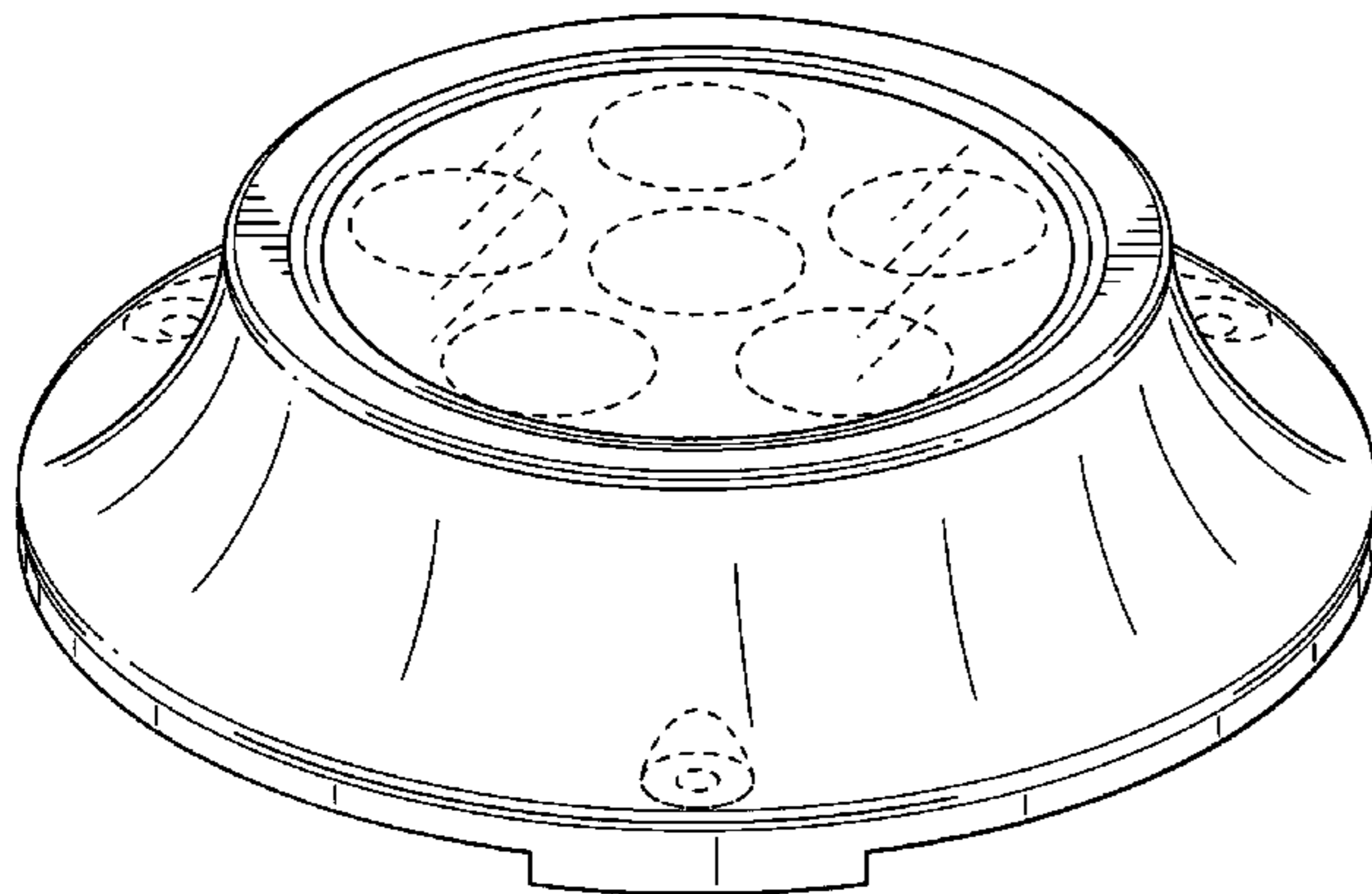
FIG. 3 shows a side elevational view thereof;

FIG. 4 shows an opposite side elevational view thereof; and,

FIG. 5 shows a bottom view thereof.

The elements shown in broken lines depict environmental structure only and form no part of the claimed design.

1 Claim, 4 Drawing Sheets



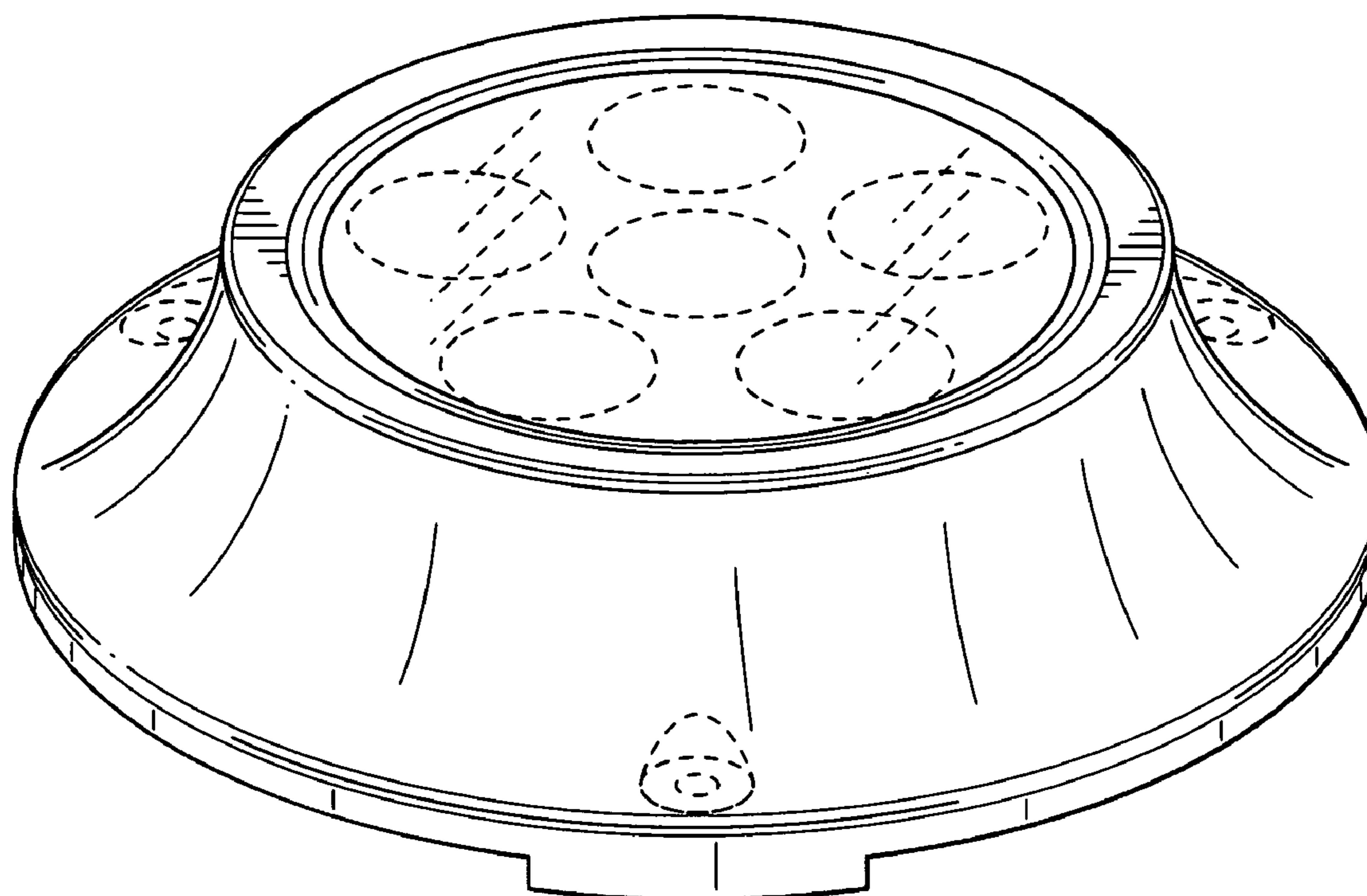


FIG. 1

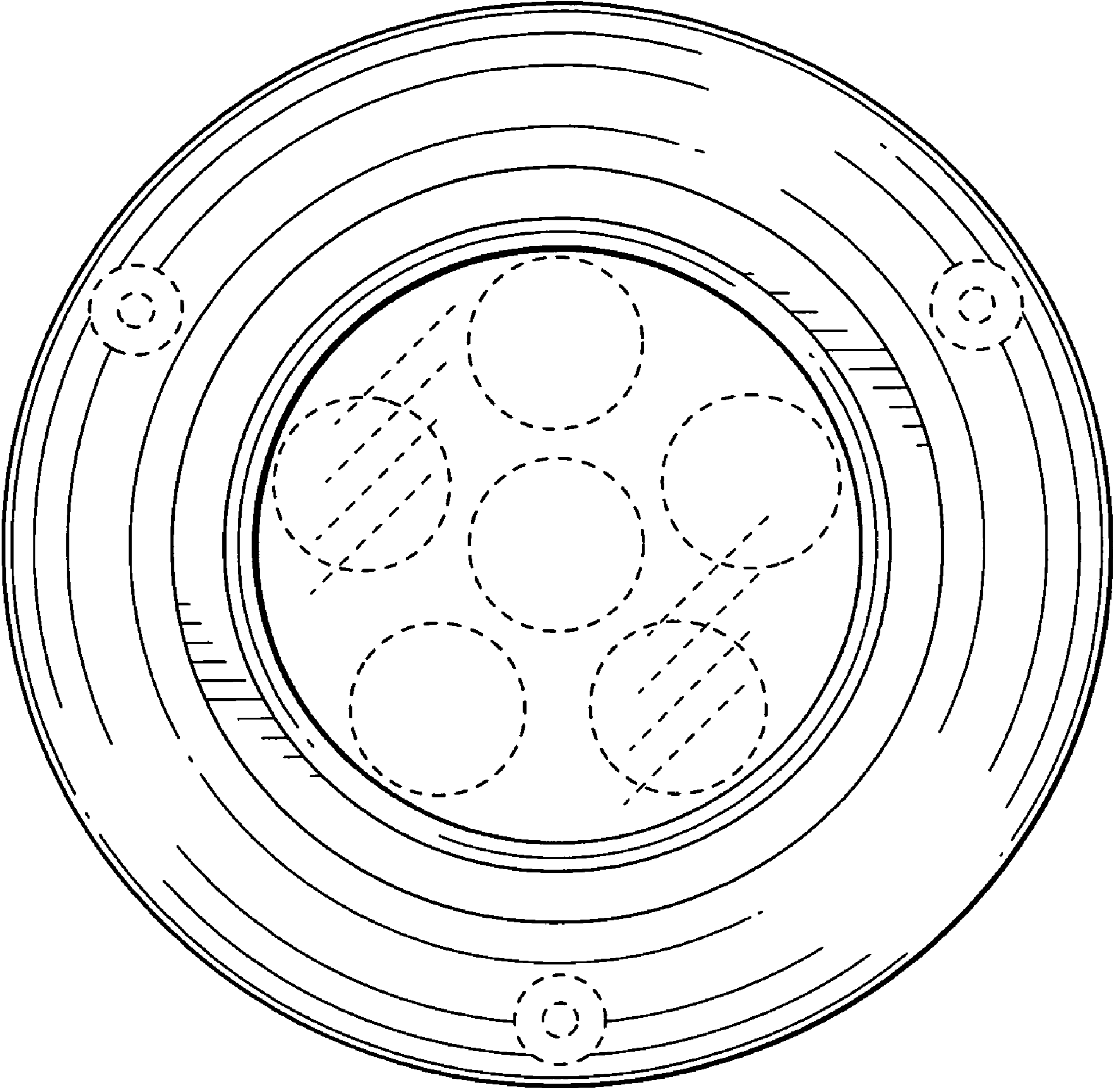


FIG. 2

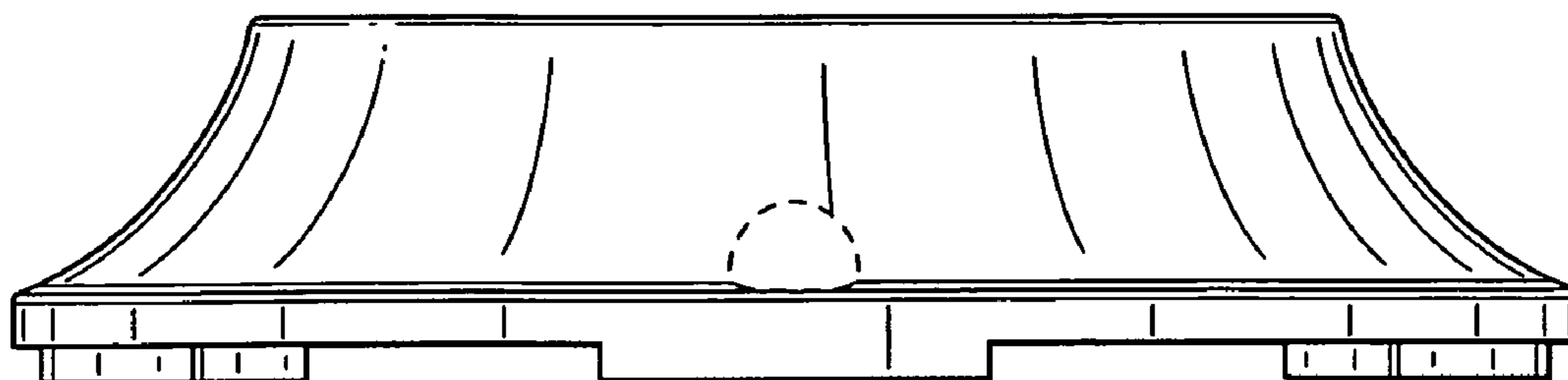


FIG. 3

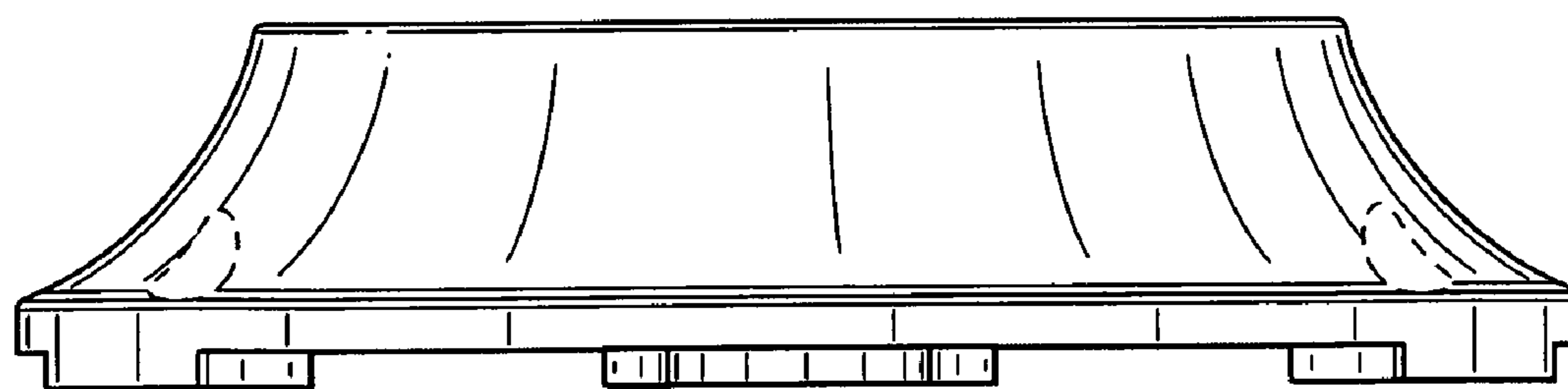


FIG. 4

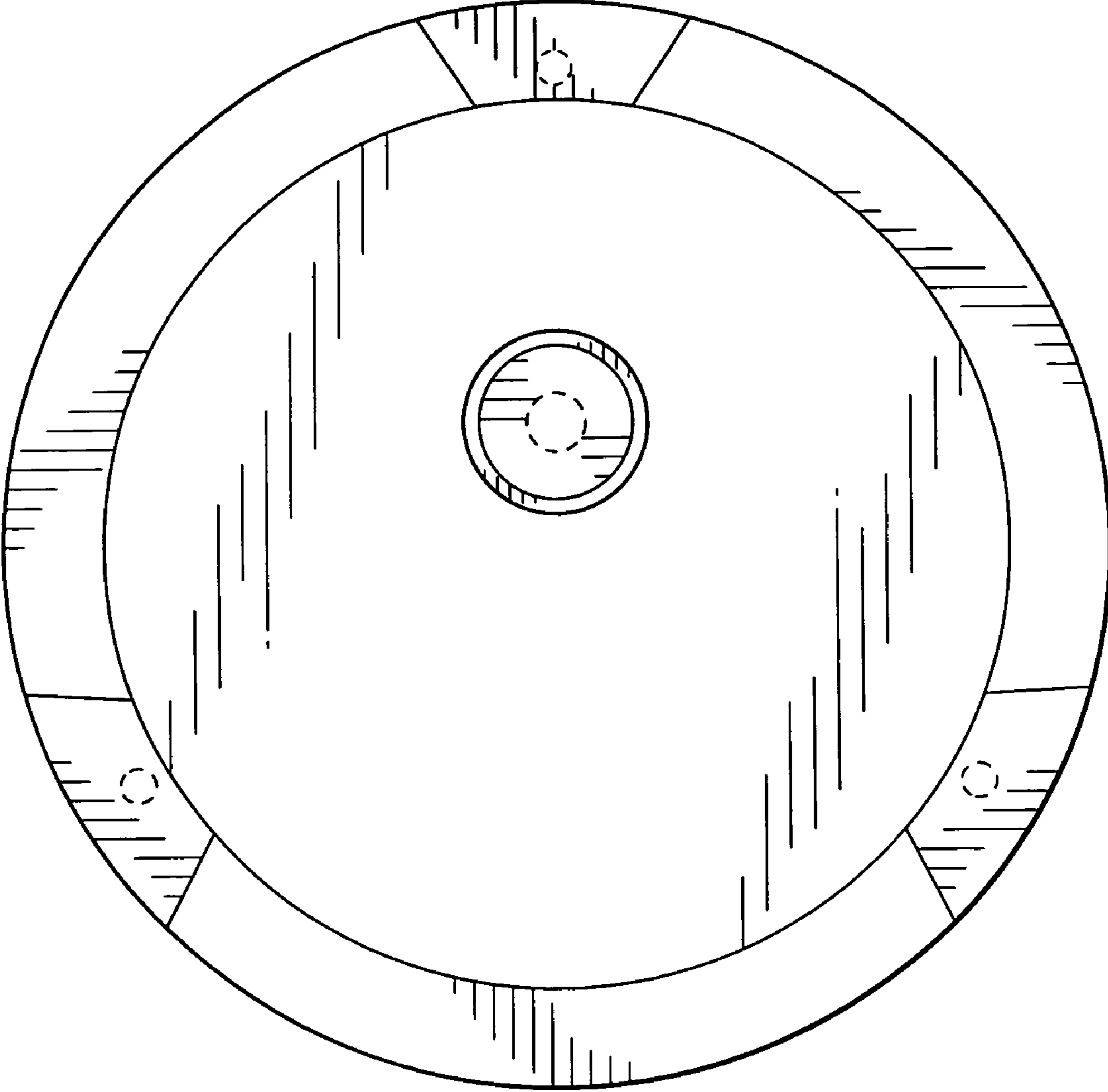


FIG. 5