



US00D603535S

(12) **United States Design Patent**
Sterijevski

(10) **Patent No.:** **US D603,535 S**
(45) **Date of Patent:** **** Nov. 3, 2009**

- (54) **TRIANGULAR SHAPED NETTED CHRISTMAS TREE LIGHTS**
- (75) Inventor: **Jessica Michelle Sterijevski**, Clermont, FL (US)
- (73) Assignee: **Jessica Sterijevski**, Clermont, FL (US)
- (**) Term: **14 Years**
- (21) Appl. No.: **29/318,237**
- (22) Filed: **May 15, 2008**

D416,637 S *	11/1999	Mount	D26/25
6,126,298 A *	10/2000	Wu	362/249.15
6,152,576 A *	11/2000	Mount	362/249.15
D439,685 S *	3/2001	Chang	D26/25
6,217,193 B1 *	4/2001	Won	362/249.16
6,302,561 B1 *	10/2001	Huang	362/249.12
6,309,087 B1 *	10/2001	Huang	362/391
6,575,595 B1 *	6/2003	Wu	362/249.16
6,657,398 B2 *	12/2003	Chang	315/185 S
2005/0099811 A1 *	5/2005	Cheng	362/252

* cited by examiner

Primary Examiner—Jennifer Rivard
Assistant Examiner—Angela J Lee

- (51) **LOC (9) Cl.** **26-04**
- (52) **U.S. Cl.** **D26/25**
- (58) **Field of Classification Search** D26/24,
D26/25, 94, 98, 99, 100, 101; D21/467;
D11/117, 118, 121, 124, 125, 128, 136, 137,
D11/141, 160, 162; 362/605, 564, 565, 566,
362/567, 568, 121, 122, 123, 124, 249.15,
362/249.16, 249.17, 249.18, 249.19, 311.13,
362/806, 807, 808, 228, 236, 237, 249.03,
362/249.04, 249.06, 249.07, 249.08, 249.09,
362/249.1, 249.11

See application file for complete search history.

(56) **References Cited**

U.S. PATENT DOCUMENTS

5,662,409 A *	9/1997	Huang	362/644
5,944,408 A *	8/1999	Tong et al.	362/249.15
5,951,146 A *	9/1999	Lin	362/391

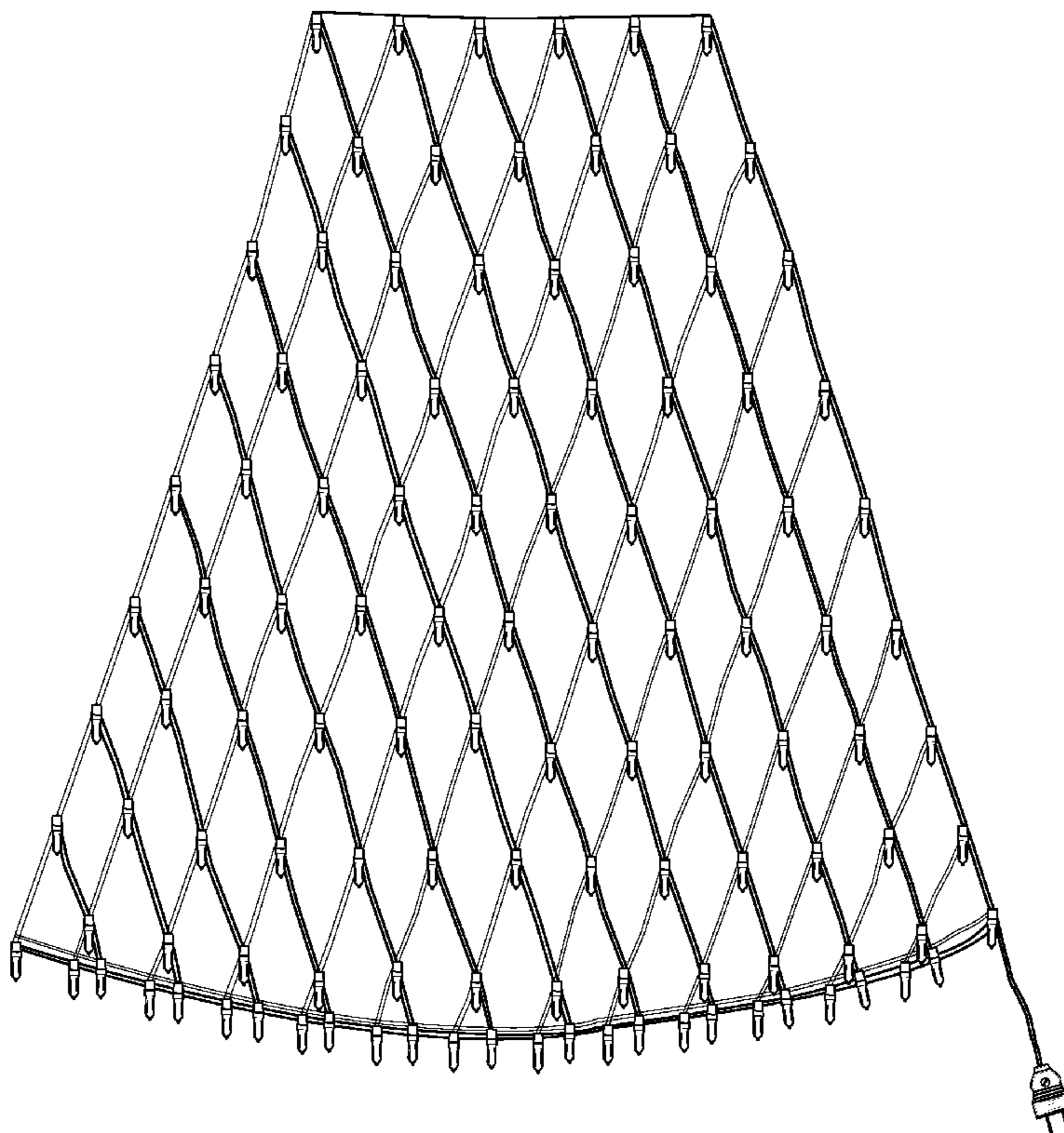
(57) **CLAIM**

The ornamental design for a triangular shaped netted Christmas tree lights, as shown and described.

DESCRIPTION

- FIG. 1 is a perspective view of a triangular shaped netted Christmas tree lights, showing my new design;
- FIG. 2 is a front elevational view of the invention;
- FIG. 3 is a rear elevational view of the invention;
- FIG. 4 is a left-side elevational view of the invention;
- FIG. 5 is a right-side elevational view of the invention;
- FIG. 6 is a top plan view of the invention; and,
- FIG. 7 is a bottom plan view of the invention.

1 Claim, 4 Drawing Sheets



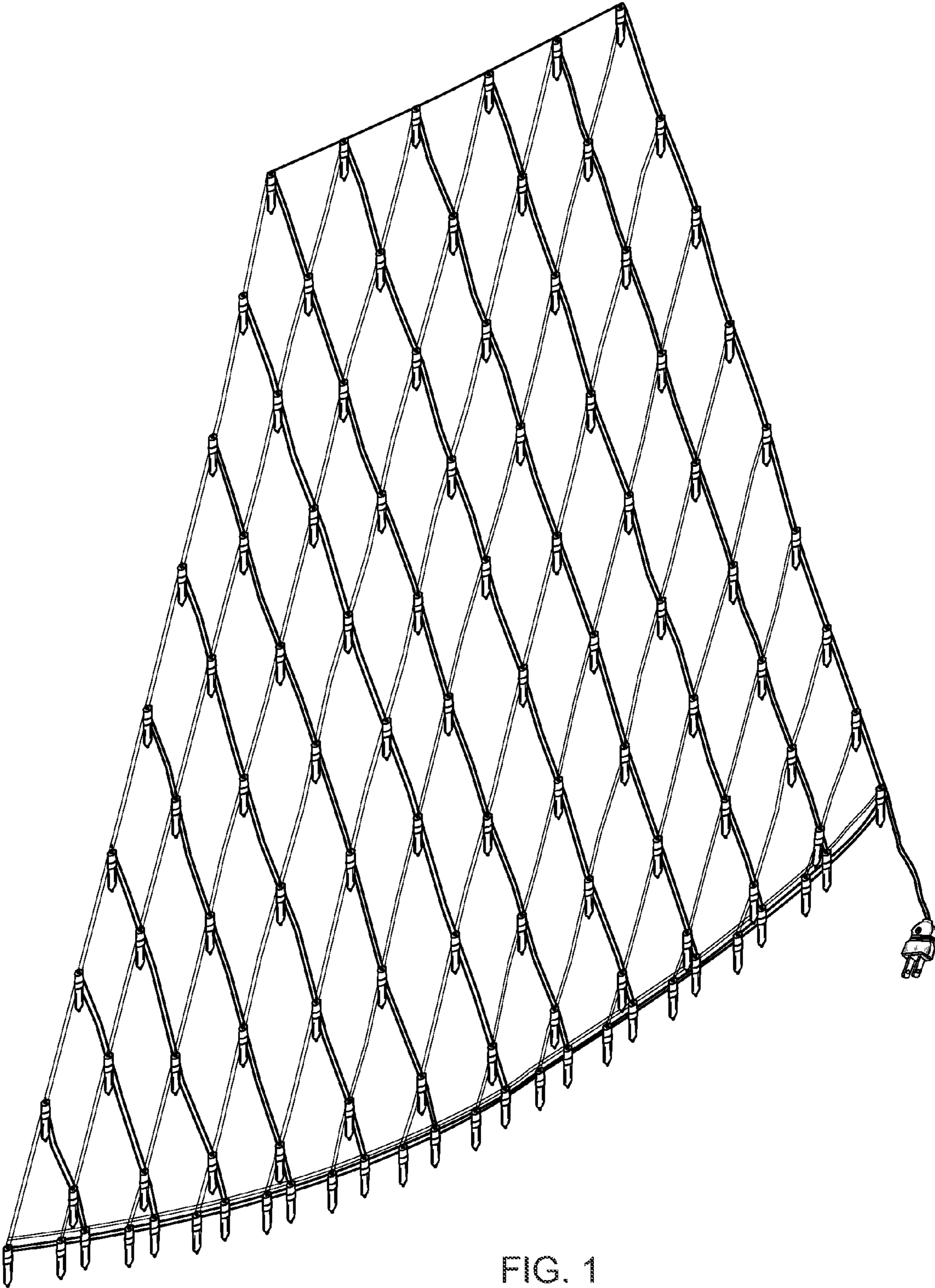


FIG. 1

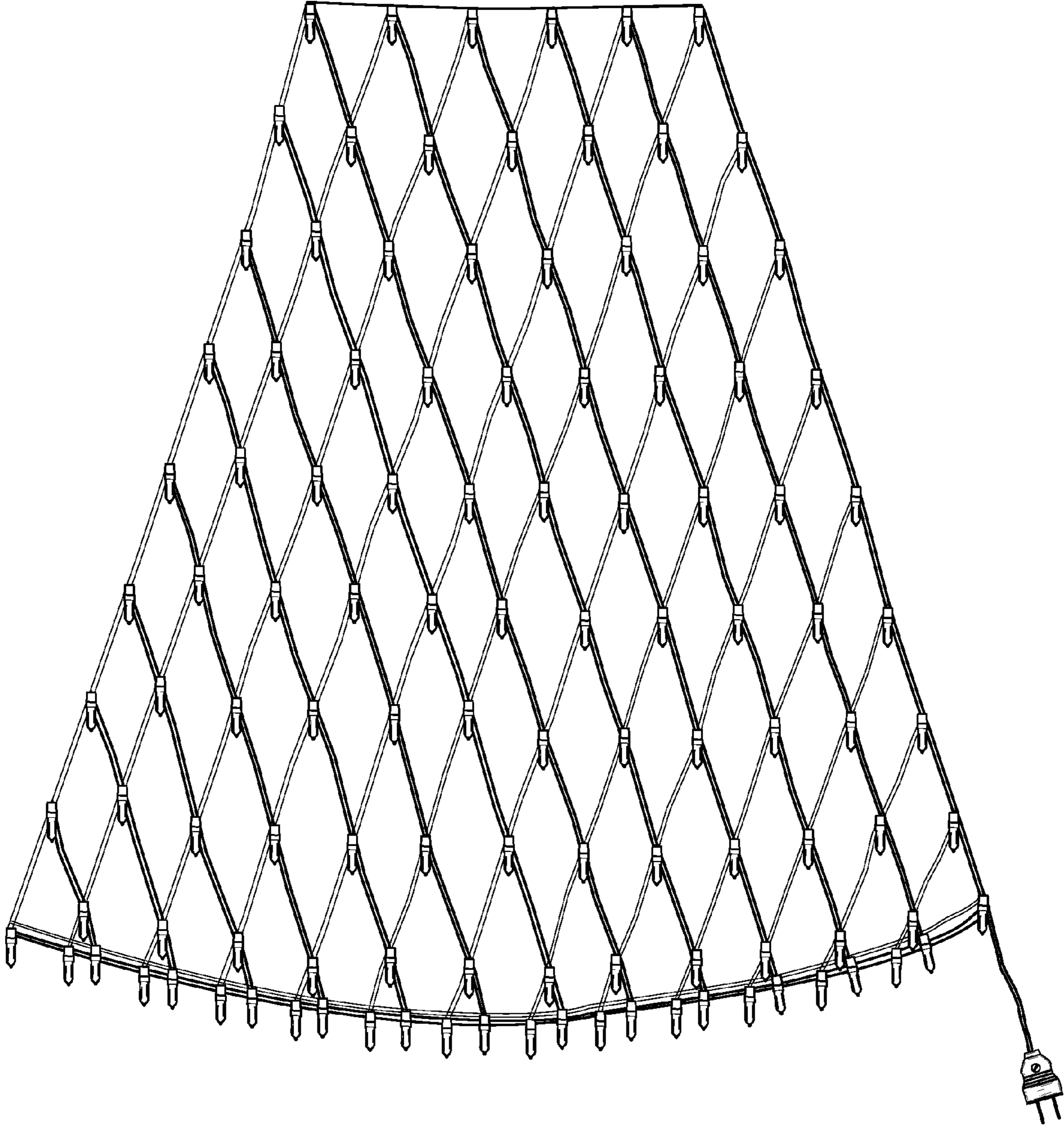


FIG. 2

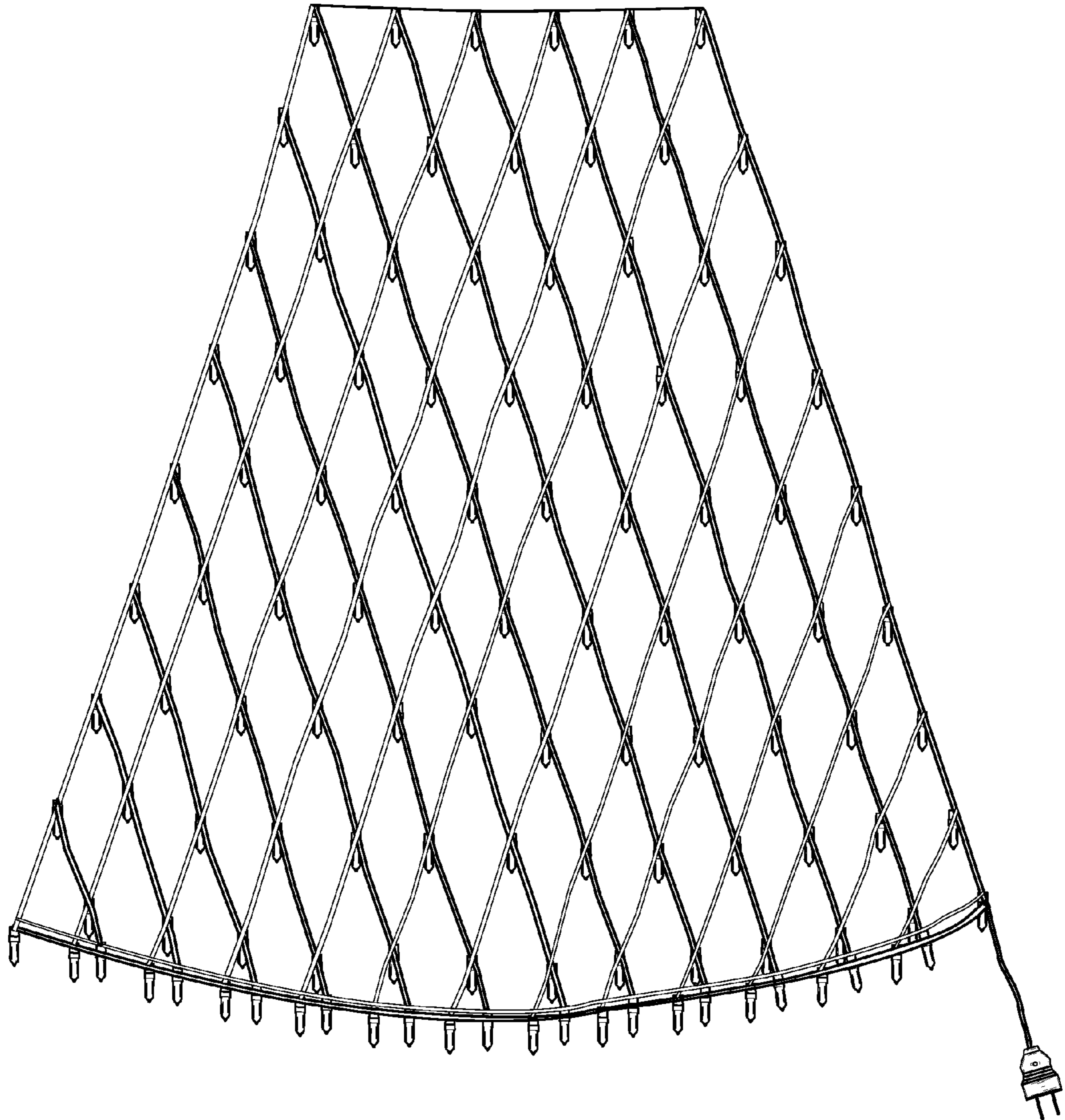


FIG. 3

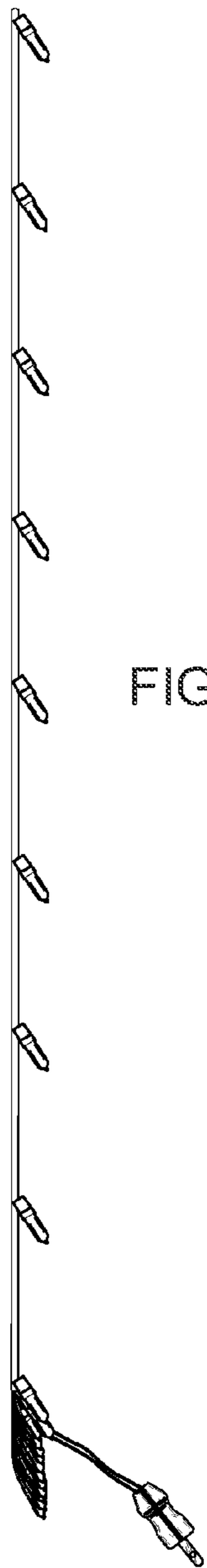


FIG. 4

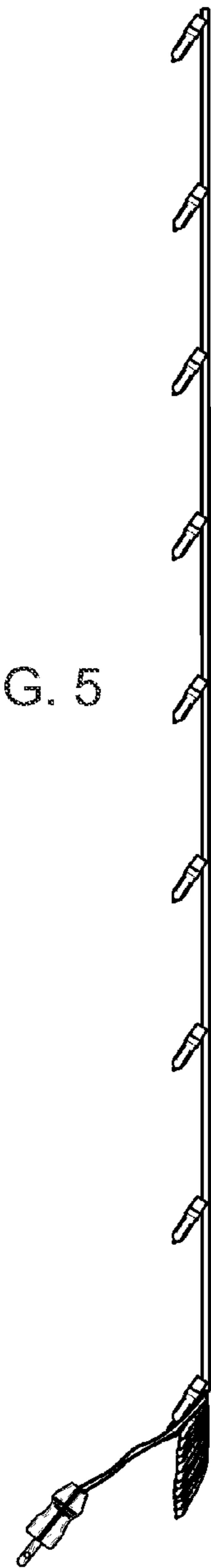


FIG. 5

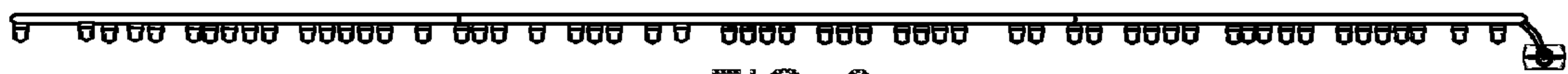


FIG. 6

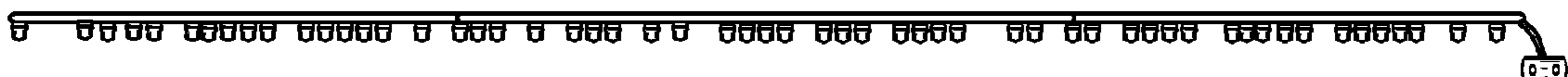


FIG. 7