



US00D603534S

(12) **United States Design Patent**
Menegoli

(10) **Patent No.:** **US D603,534 S**
(45) **Date of Patent:** **** Nov. 3, 2009**

(54) **ROOFING PANEL SET**

(75) Inventor: **Fabio Menegoli**, San Pietro in Cariano (IT)

(73) Assignee: **ISOM S.p.A.**, Pescantina (VR) (IT)

(**) Term: **14 Years**

(21) Appl. No.: **29/277,687**

(22) Filed: **Mar. 7, 2007**

(51) **LOC (9) Cl.** **25-01**

(52) **U.S. Cl.** **D25/139**

(58) **Field of Classification Search** D25/139,
D25/140, 141, 143, 144, 150, 163; 428/47,
428/48, 49, 77, 141, 142, 143, 194; 52/518,
52/546, 554, 555, 557, 559

See application file for complete search history.

(56) **References Cited**

U.S. PATENT DOCUMENTS

| | | | | |
|--------------|------|---------|----------------|---------|
| 162,722 | A * | 4/1875 | Wands | 52/521 |
| 3,524,289 | A * | 8/1970 | Yazajian | 52/95 |
| 4,400,922 | A * | 8/1983 | Boyer | 52/394 |
| 5,072,563 | A * | 12/1991 | Menegoli | 52/537 |
| 5,241,785 | A * | 9/1993 | Meyer | 52/520 |
| 5,479,752 | A * | 1/1996 | Menegoli | 52/549 |
| 5,507,126 | A * | 4/1996 | Wu | 52/536 |
| 5,842,316 | A * | 12/1998 | Keiper | 52/410 |
| 6,401,944 | B1 * | 6/2002 | Kircher et al. | 211/134 |
| 7,013,612 | B2 * | 3/2006 | Haddock | 52/545 |
| 7,100,338 | B2 * | 9/2006 | Haddock | 52/545 |
| 2002/0083672 | A1 * | 7/2002 | Ostenfeldt | 52/536 |
| 2003/0029113 | A1 * | 2/2003 | Wetzel et al. | 52/519 |

2007/0144090 A1* 6/2007 Nguyen 52/251

FOREIGN PATENT DOCUMENTS

EP 634535 A2 * 1/1995

JP 02008445 A * 1/1990

WO 2006/117605 11/2006

* cited by examiner

Primary Examiner—T. Chase Nelson

Assistant Examiner—Michael A Pratt

(74) *Attorney, Agent, or Firm*—Themis Law

(57) **CLAIM**

The ornamental design for a roofing panel set, as shown and described.

DESCRIPTION

FIG. 1 is a front elevational view of a roofing panel set showing my new design;

FIG. 2 is a greatly enlarged, partial front elevation view thereof;

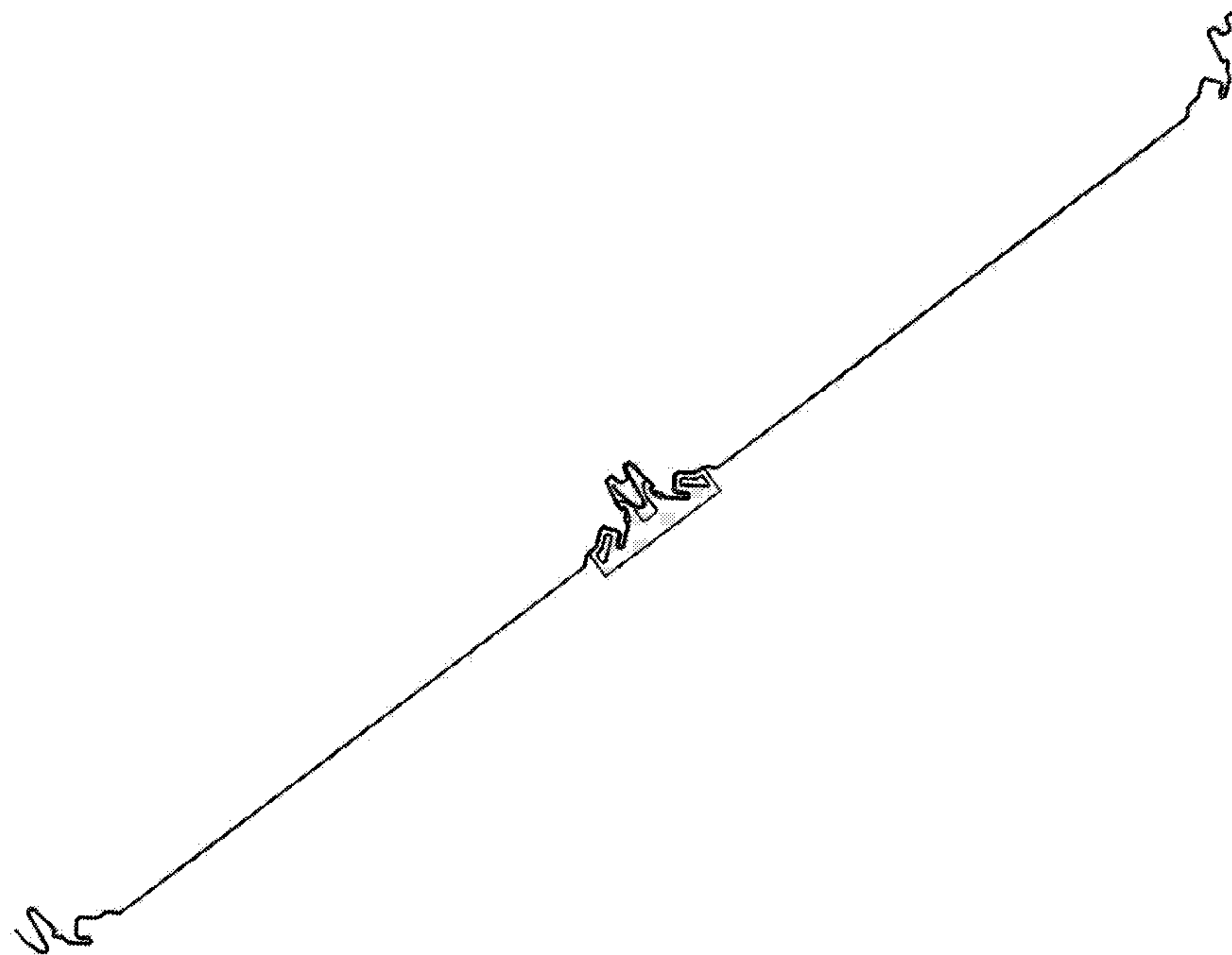
FIG. 3 is a greatly enlarged perspective view of a portion of the roofing panel set thereof;

FIG. 4 is a front elevation view with a portion of the roofing panel set shown removed for ease of illustration; and,

FIG. 5 is a slightly enlarged view of a portion of FIG. 1 shown removed for ease of illustration.

The broken lines in the FIGS. 1 through 4 views that are shown on the surface of a portion of the roofing panel set illustrate portions of the design that form no part of the claimed design. The broken lines bounding the design in FIG. 3 indicate that a specific length of roofing panel set forms no part of the claimed design.

1 Claim, 5 Drawing Sheets



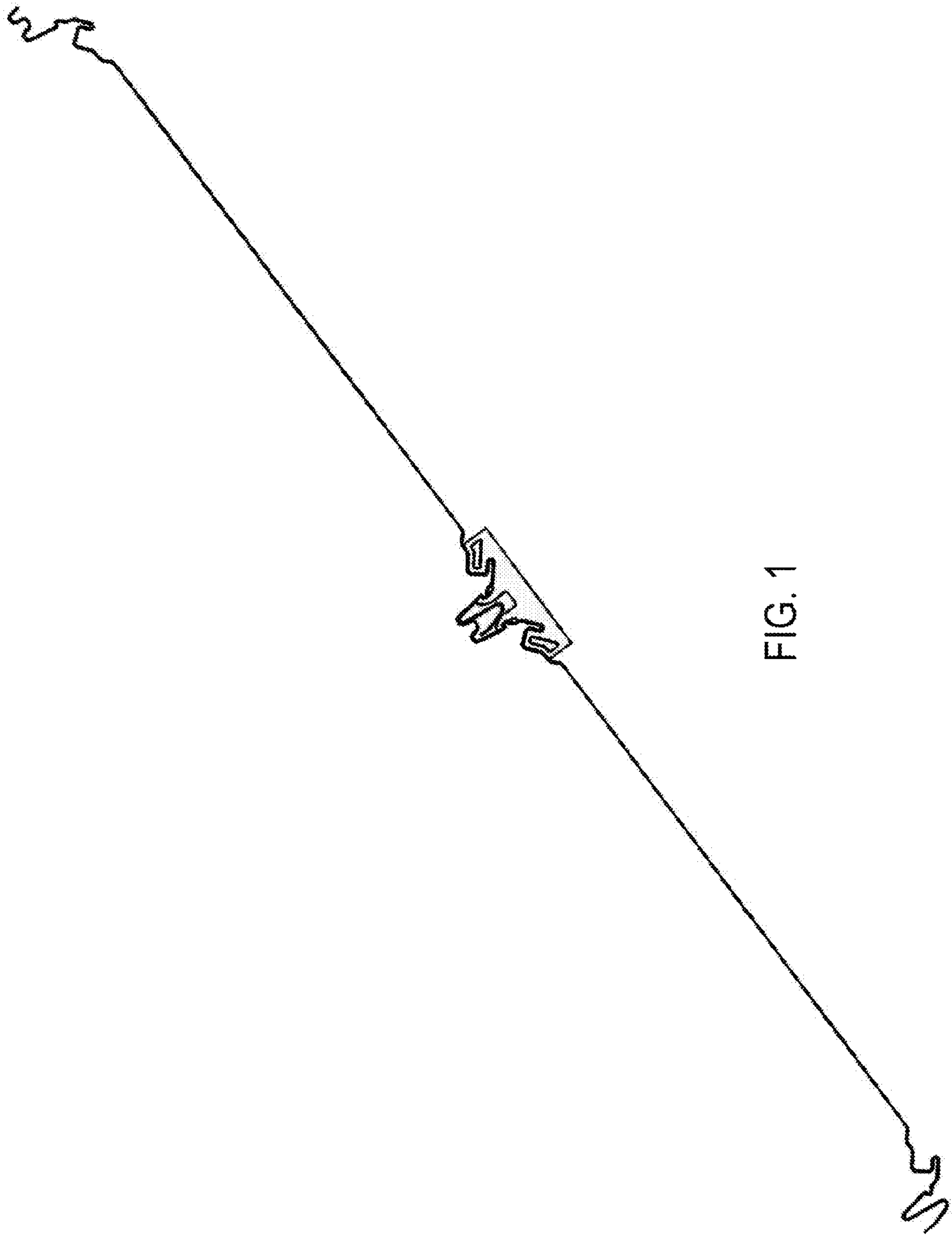


FIG. 1

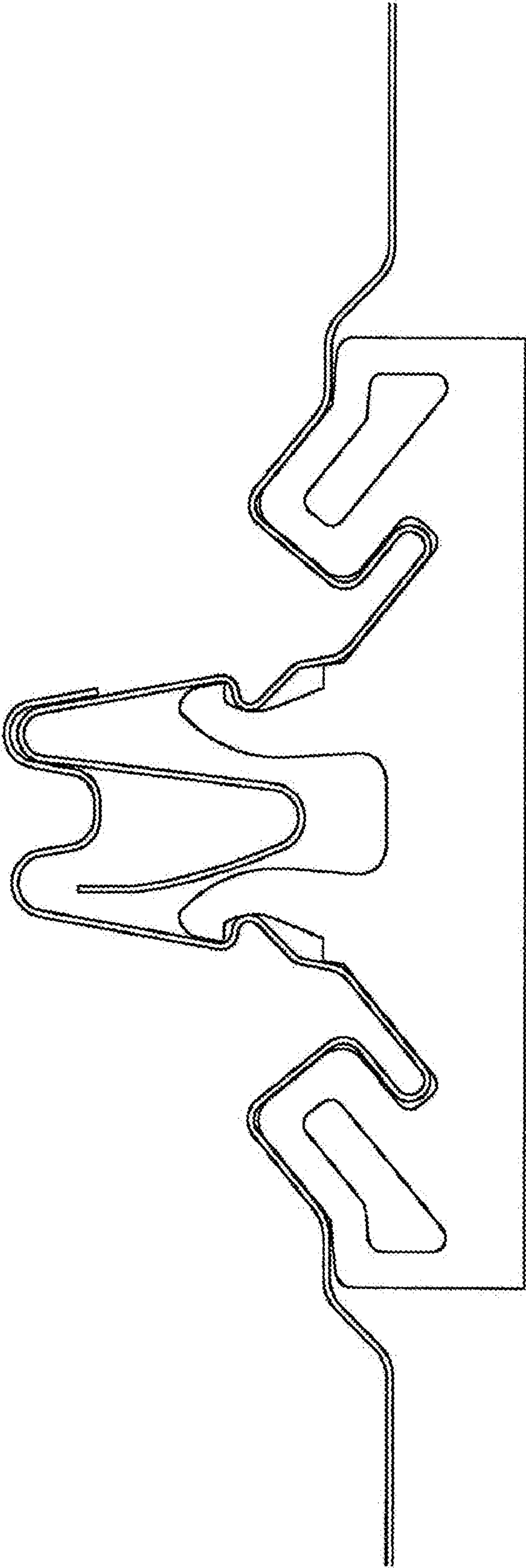


FIG. 2

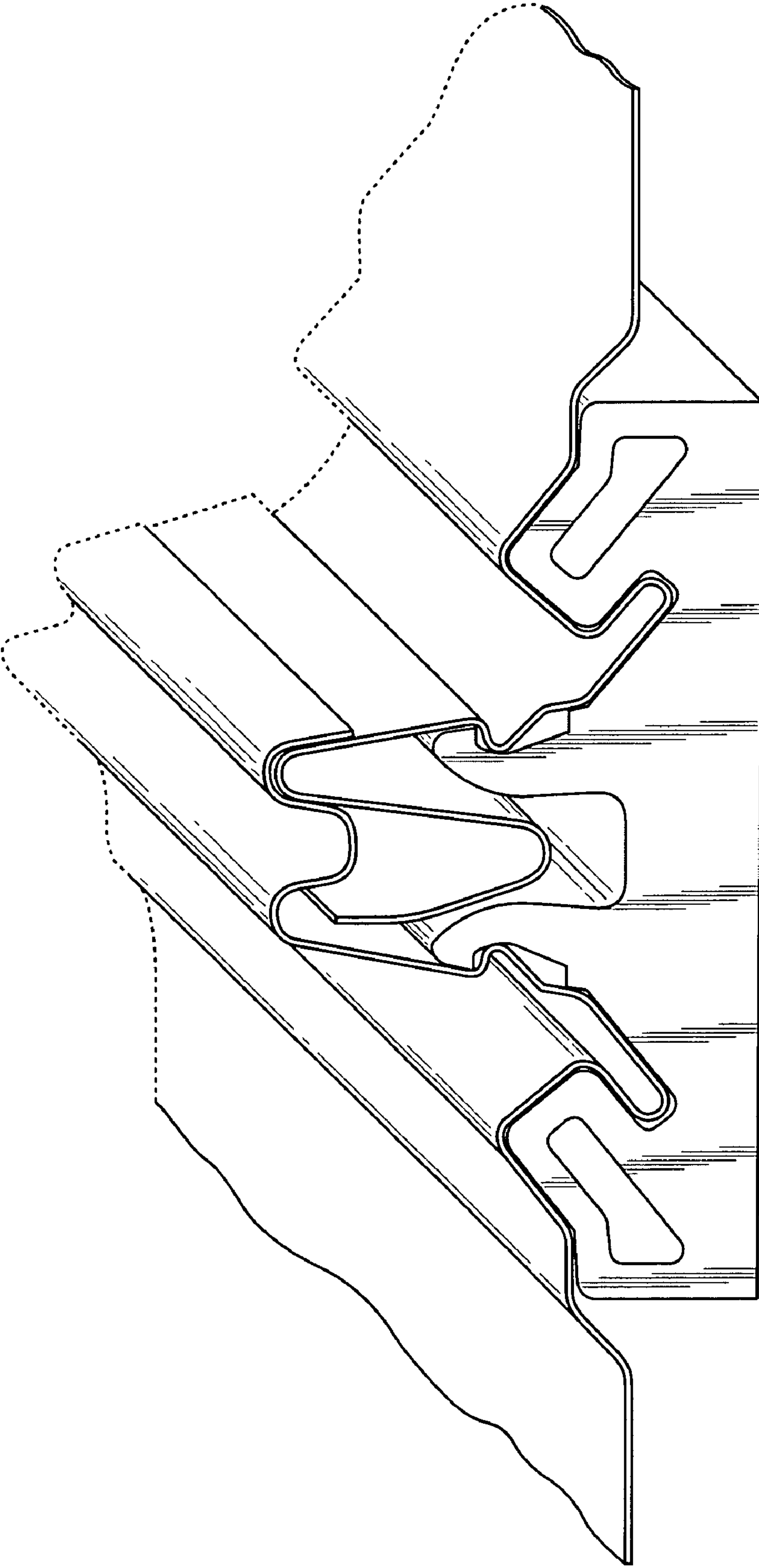


FIG. 3

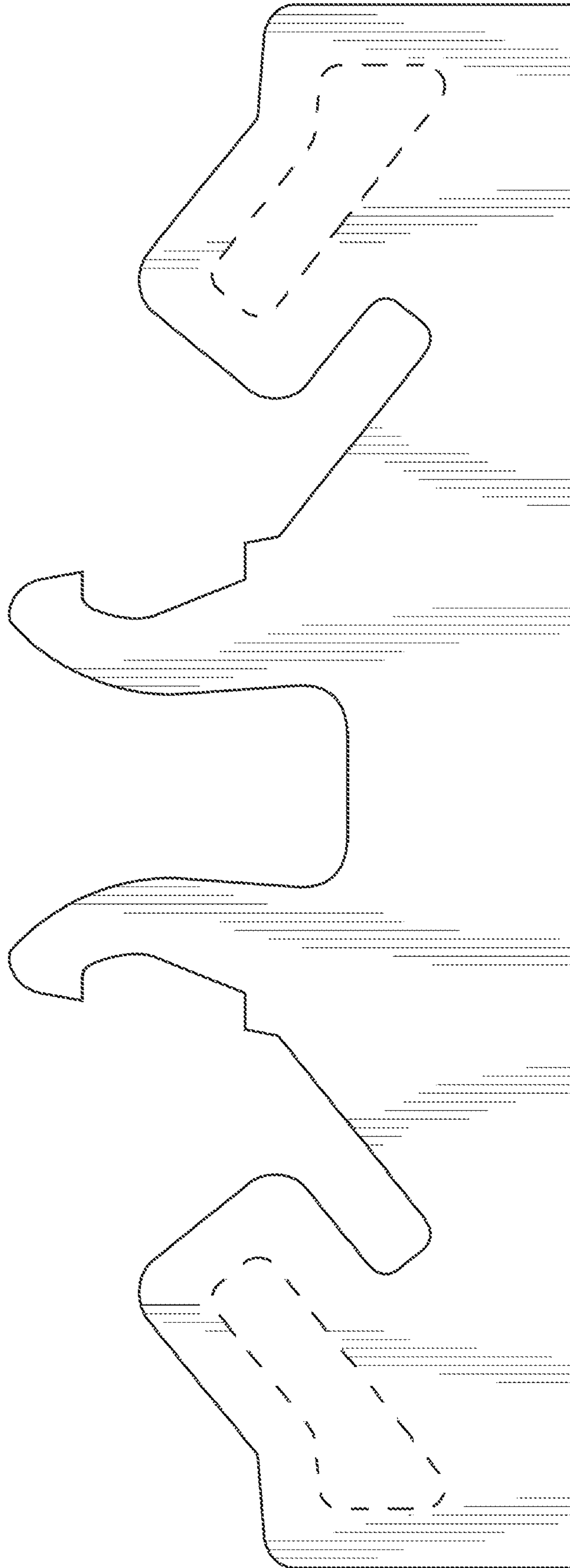


FIG. 4

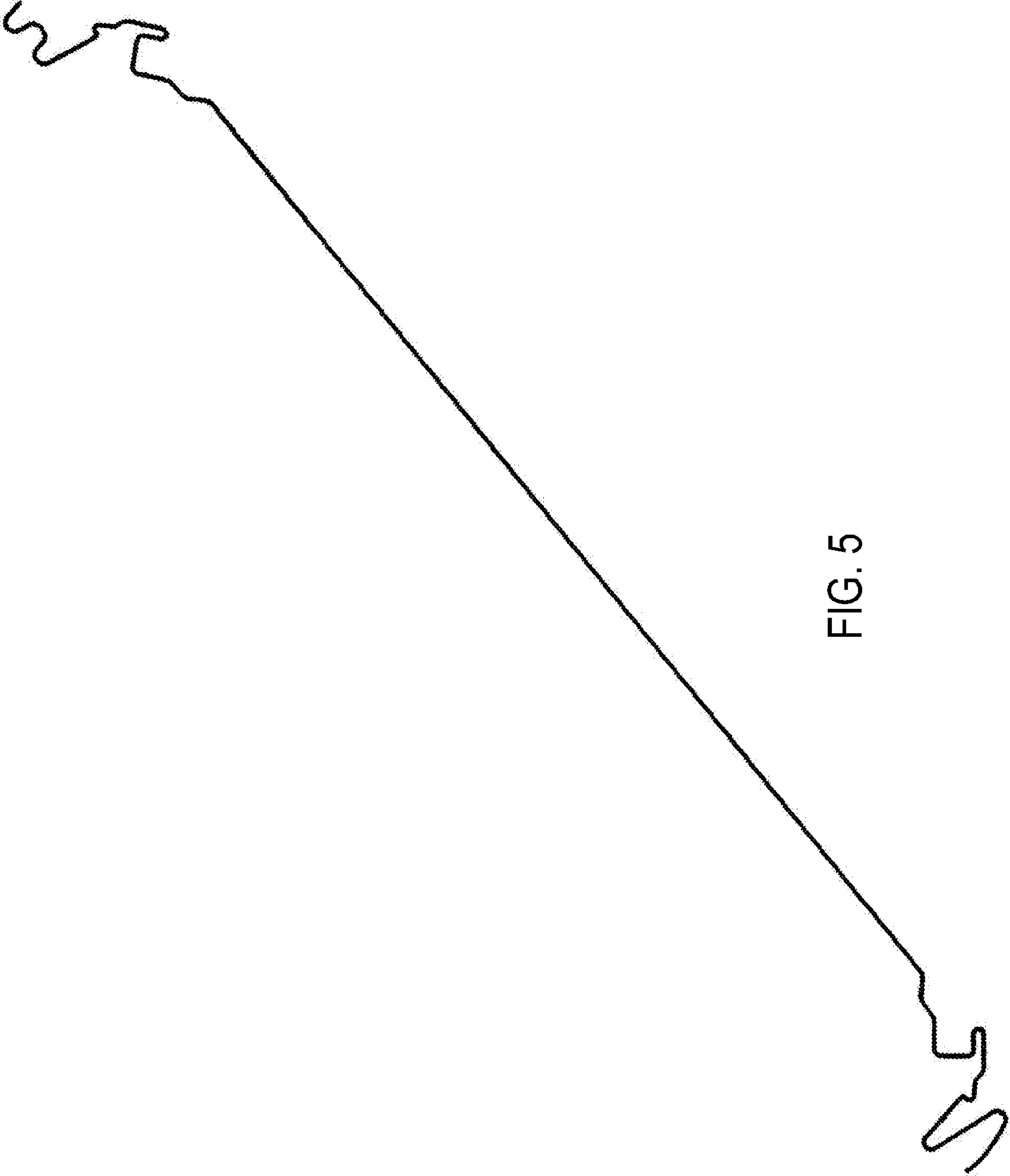


FIG. 5