



US00D603529S

(12) **United States Design Patent**
VanElverdinghe

(10) **Patent No.:** **US D603,529 S**

(45) **Date of Patent:** **** Nov. 3, 2009**

(54) **CANOPY FRAME WITH COVER AND SKIRT**

OTHER PUBLICATIONS

(76) Inventor: **Jeffrey L. VanElverdinghe**, 4537 SW.
164th Pl., Beaverton, OR (US) 97007

U.S. Appl. No. 29/317,312, VanElverdinghe.

(Continued)

(**) Term: **14 Years**

Primary Examiner—Doris Clark

(74) *Attorney, Agent, or Firm*—Joseph P. Curtin, L.L.C.

(21) Appl. No.: **29/327,829**

(22) Filed: **Nov. 13, 2008**

(57) **CLAIM**

I claim the ornamental design for a canopy frame with cover and skirt, as shown and described.

(51) **LOC (9) Cl.** **25-02**

(52) **U.S. Cl.** **D25/56**

(58) **Field of Classification Search** D25/56;
135/906, 124, 87, 908

DESCRIPTION

See application file for complete search history.

(56) **References Cited**

U.S. PATENT DOCUMENTS

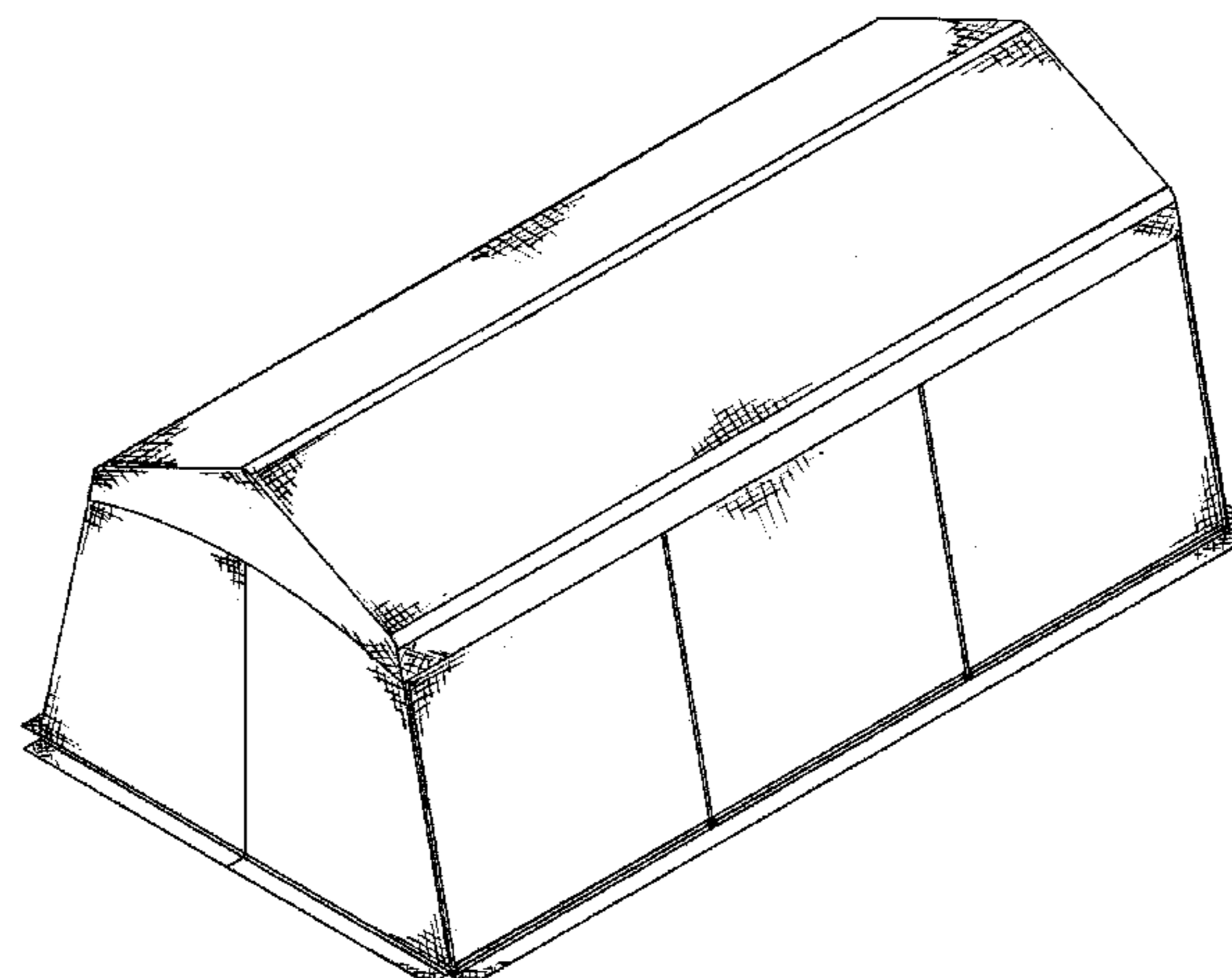
D30,268 S	2/1899	Wittbold	
3,976,014 A	8/1976	Brown	
4,124,123 A	11/1978	Armington et al.	
4,150,682 A *	4/1979	Ryce	135/130
4,285,176 A	8/1981	Runkle	
4,347,690 A	9/1982	Wallace, Jr.	
4,381,629 A	5/1983	Ahn	
4,453,558 A	6/1984	Ochs et al.	
4,633,626 A	1/1987	Freeman et al.	
D297,864 S	9/1988	Funk	
D302,593 S	8/1989	Haldorsen	
4,852,599 A	8/1989	McNamara	
4,865,066 A	9/1989	Brooks	
4,887,627 A *	12/1989	Audet	135/120.1
5,117,853 A	6/1992	Pruesner	
5,167,246 A	12/1992	Mortenson	
5,185,972 A	2/1993	Markiewicz	
D343,688 S	1/1994	Jason	
5,289,665 A	3/1994	Higgins	
5,293,725 A	3/1994	Matticks et al.	
D374,088 S	9/1996	Collier	
5,584,156 A	12/1996	Lange	

(Continued)

FOREIGN PATENT DOCUMENTS

WO WO2008/039803 A2 4/2008

1 Claim, 5 Drawing Sheets



US D603,529 S

Page 2

U.S. PATENT DOCUMENTS

5,584,311	A	12/1996	Schaefer				
5,588,274	A	12/1996	Lange				
5,598,668	A	2/1997	Isom				
5,638,848	A	6/1997	November				
5,638,851	A	6/1997	Baldwin				
5,660,002	A	8/1997	Lashinger				
5,709,238	A *	1/1998	Mattioli	135/87			
5,711,337	A	1/1998	McKenney				
5,737,883	A	4/1998	Rose				
5,813,737	A	9/1998	Stone				
D409,310	S	5/1999	Goldwitz				
D414,564	S	9/1999	Goldwitz				
D415,572	S	10/1999	Goldwitz				
D420,751	S	2/2000	Powell et al.				
6,019,112	A *	2/2000	Matlock	135/124			
D430,306	S	8/2000	Goldwitz				
6,112,756	A	9/2000	Tseng				
6,155,280	A	12/2000	Powell et al.				
6,170,503	B1	1/2001	Lin Shy				
6,196,245	B1	3/2001	Eastman				
D445,916	S *	7/2001	Pritchard	D25/56			
6,289,909	B1	9/2001	Wood				
D449,115	S *	10/2001	Harris et al.	D25/56			
6,360,492	B1	3/2002	Ross				
6,367,495	B1	4/2002	Powell et al.				
					6,367,496	B1	4/2002 Rempel et al.
					6,502,593	B1	1/2003 Stafford
					6,505,638	B1	1/2003 Powell et al.
					6,581,616	B1	6/2003 Venegas, Jr.
					D478,998	S	8/2003 Funk
					6,615,550	B2	9/2003 Reuschel et al.
					6,631,590	B1 *	10/2003 Glowaski 52/63
					6,679,009	B2	1/2004 Hotes
					6,758,230	B2	7/2004 Bogart, Jr.
					6,988,505	B2	1/2006 Powell et al.
					6,994,099	B2	2/2006 Goldwitz
					7,275,555	B2	10/2007 Powell et al.
					7,296,584	B2	11/2007 Goldwitz
					2002/0043030	A1	4/2002 Bogart, Jr.
					2002/0108646	A1	8/2002 Hotes
					2004/0035454	A1	2/2004 Tseng
					2005/0194029	A1	9/2005 Goldwitz
					2005/0194031	A1	9/2005 Goldwitz
					2006/0231128	A1	10/2006 Loudermilk et al.
					2008/0017231	A1	1/2008 Chen
					2008/0035194	A1	2/2008 Goldwitz

OTHER PUBLICATIONS

U.S. Appl. No. 11/861,228, VanElverdinghe.

* cited by examiner

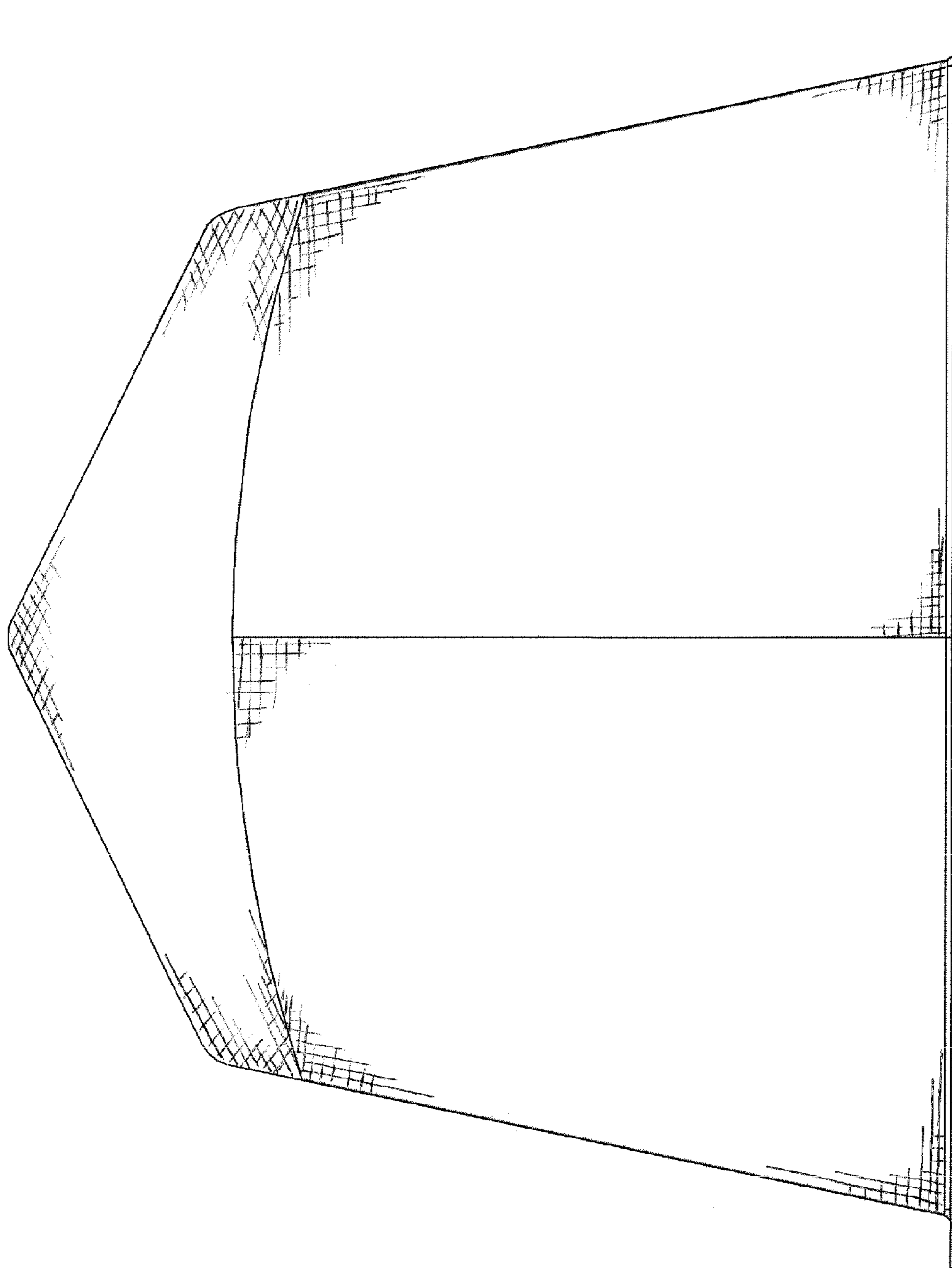


FIG. 1

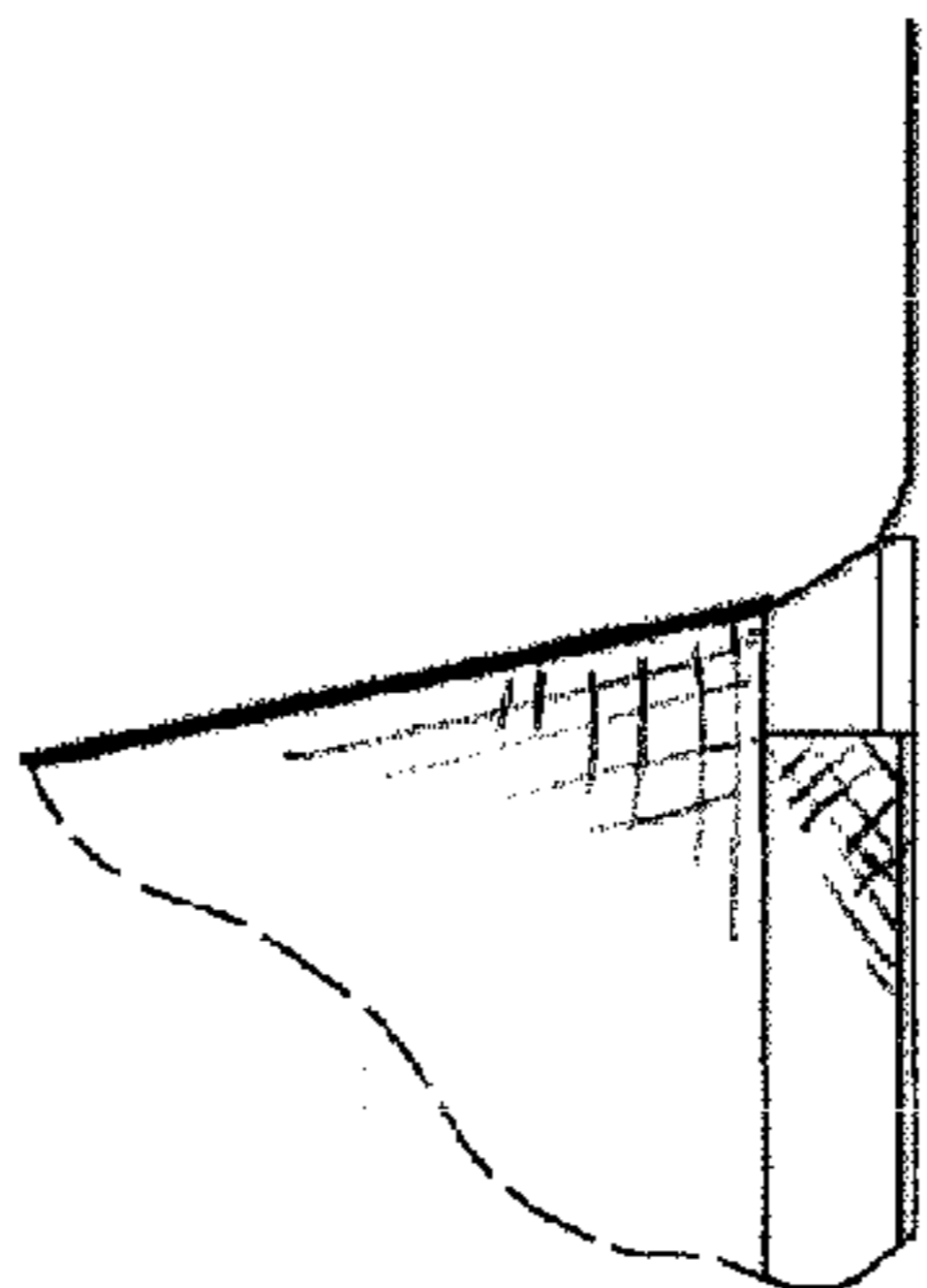


FIG. 6

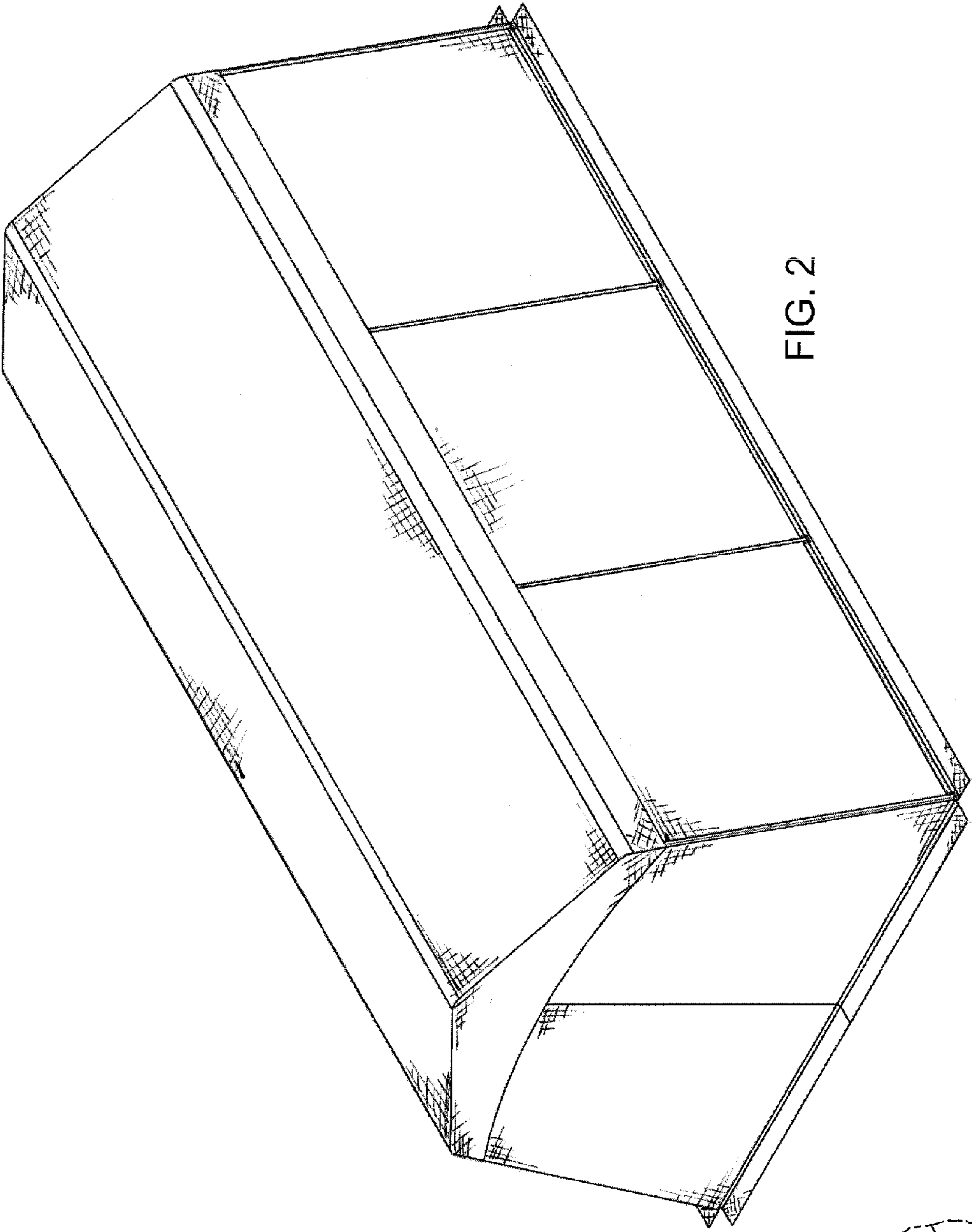


FIG. 2

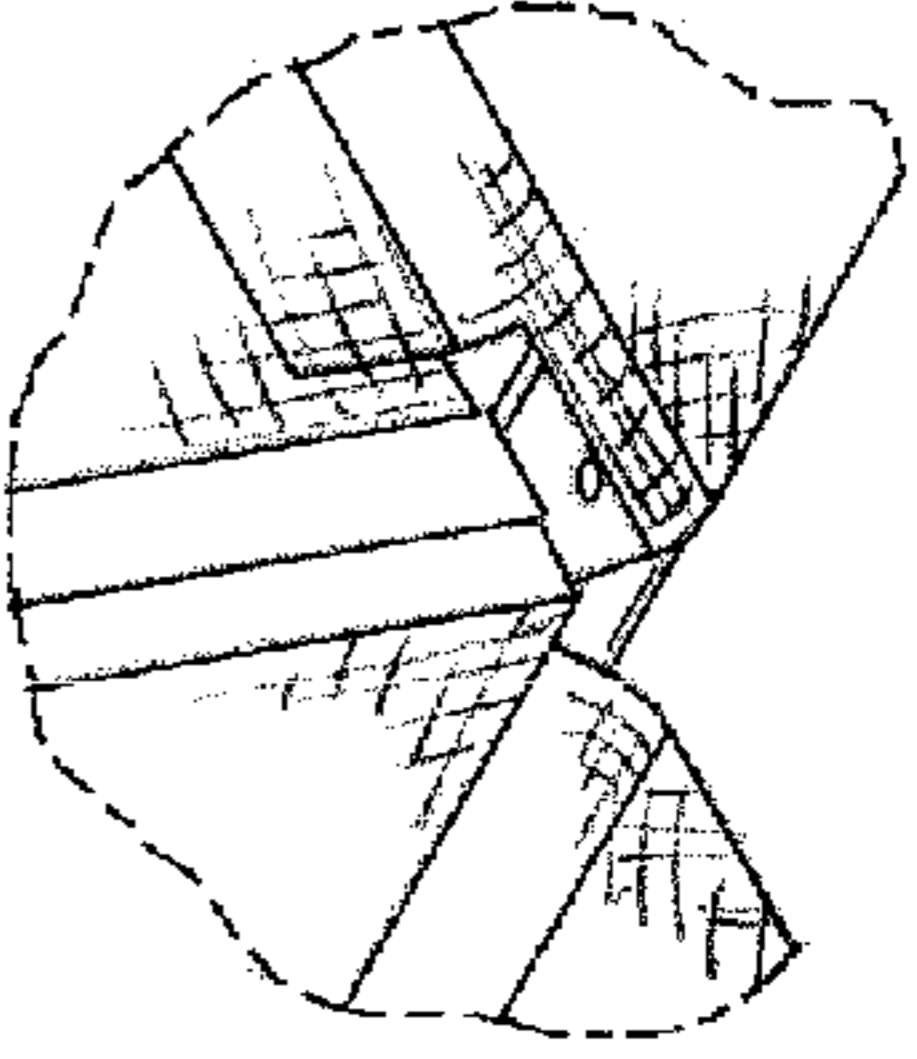


FIG. 7

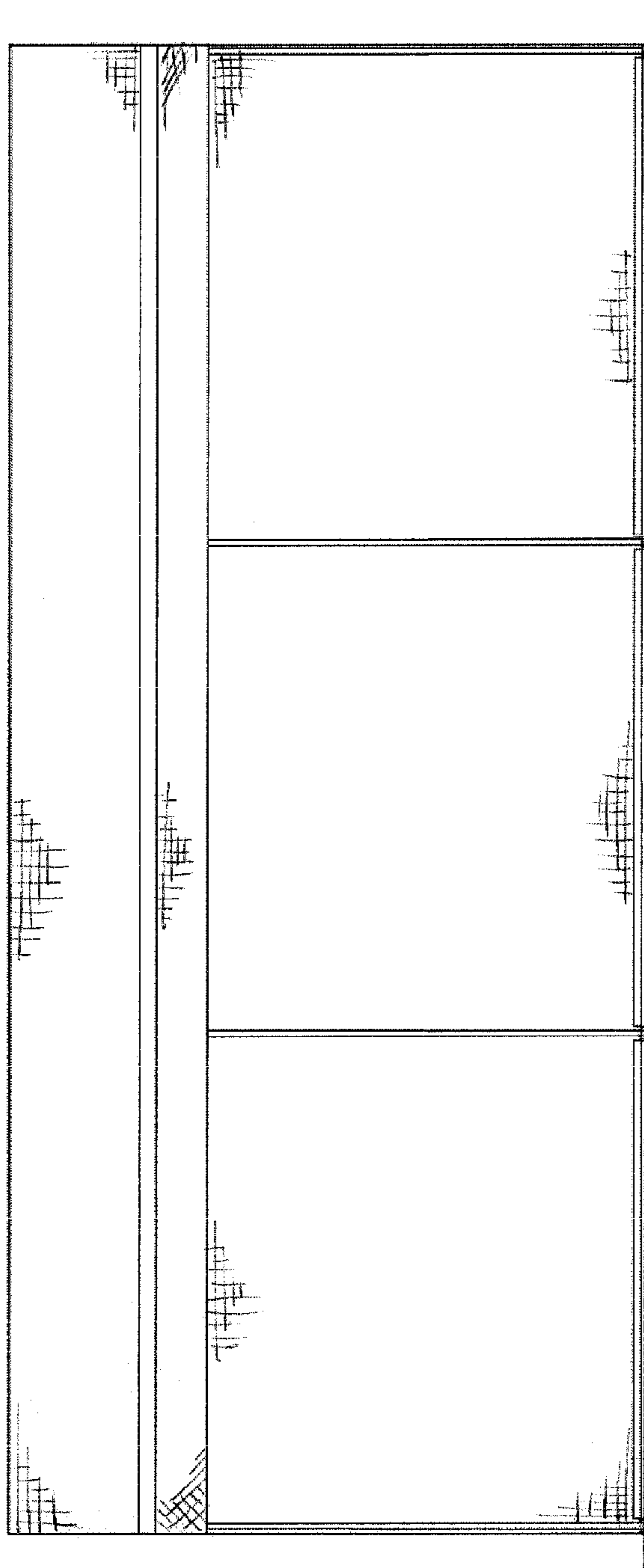


FIG. 3

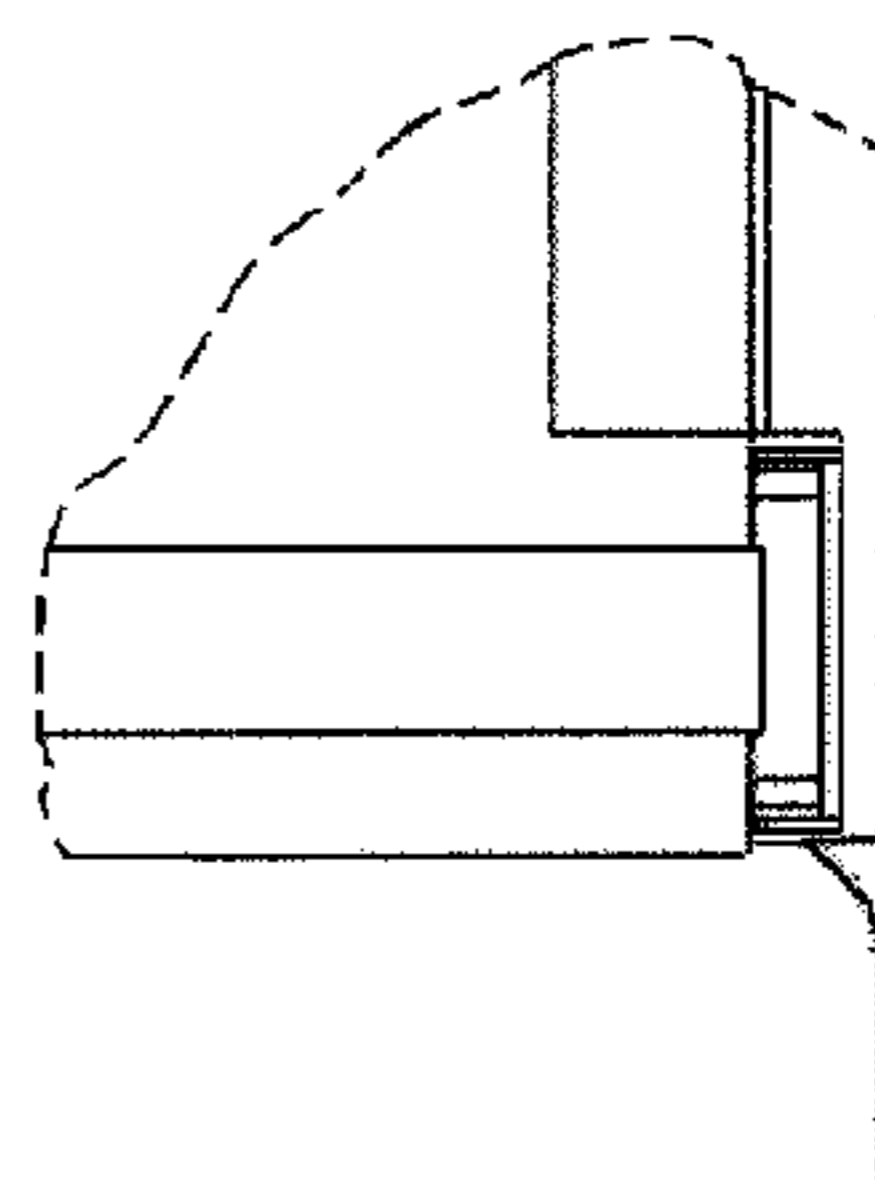


FIG. 8

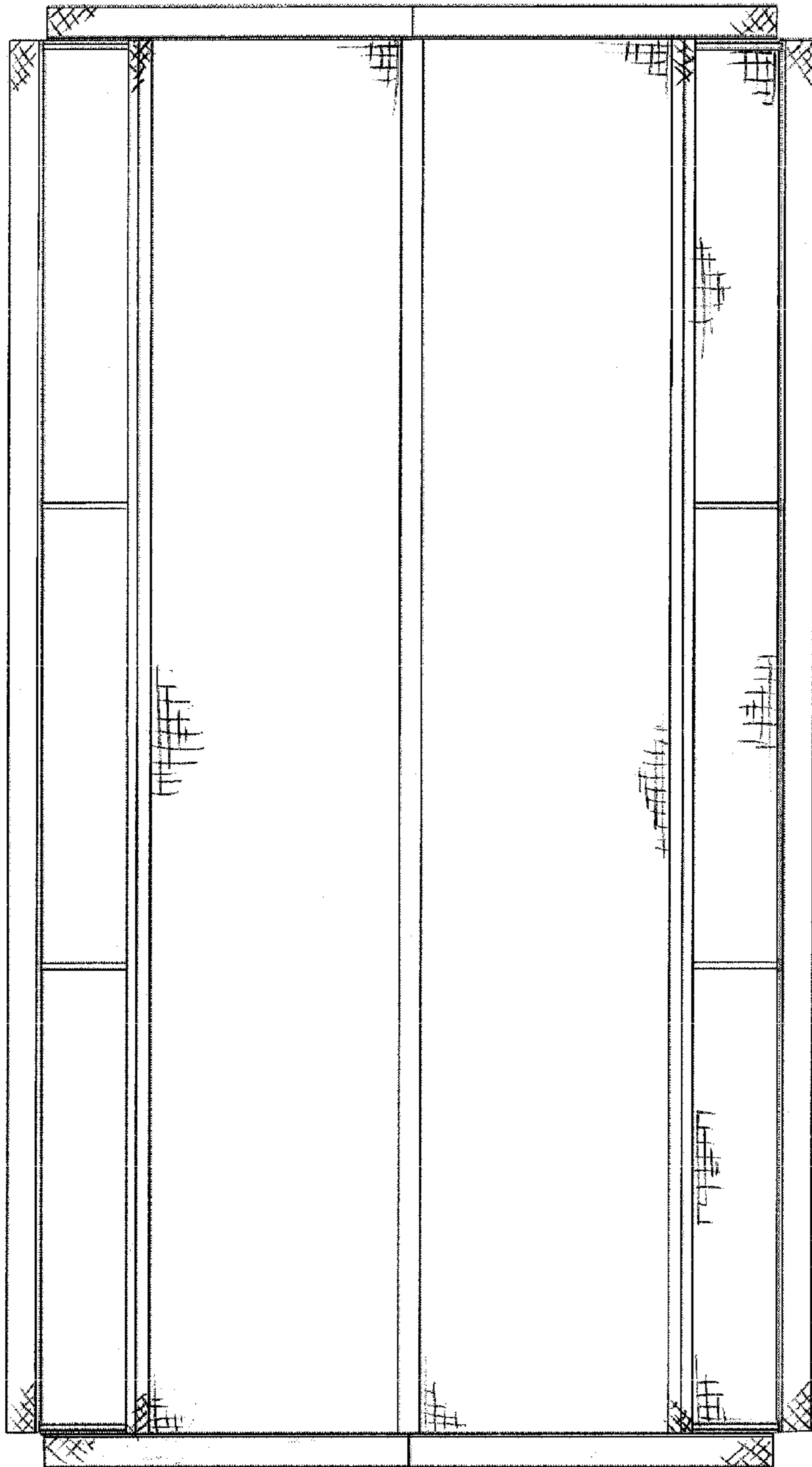


FIG. 4

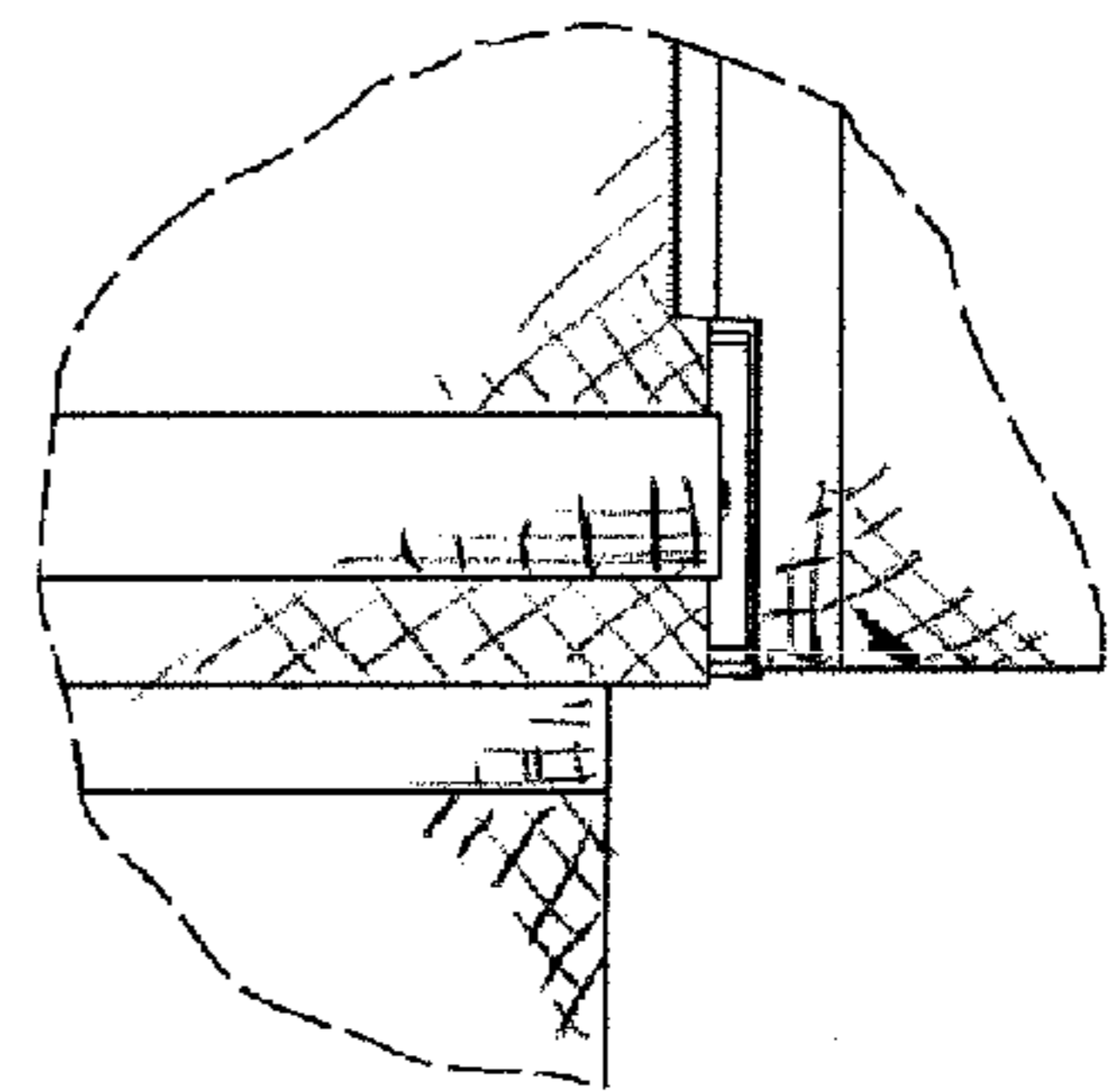


FIG. 9

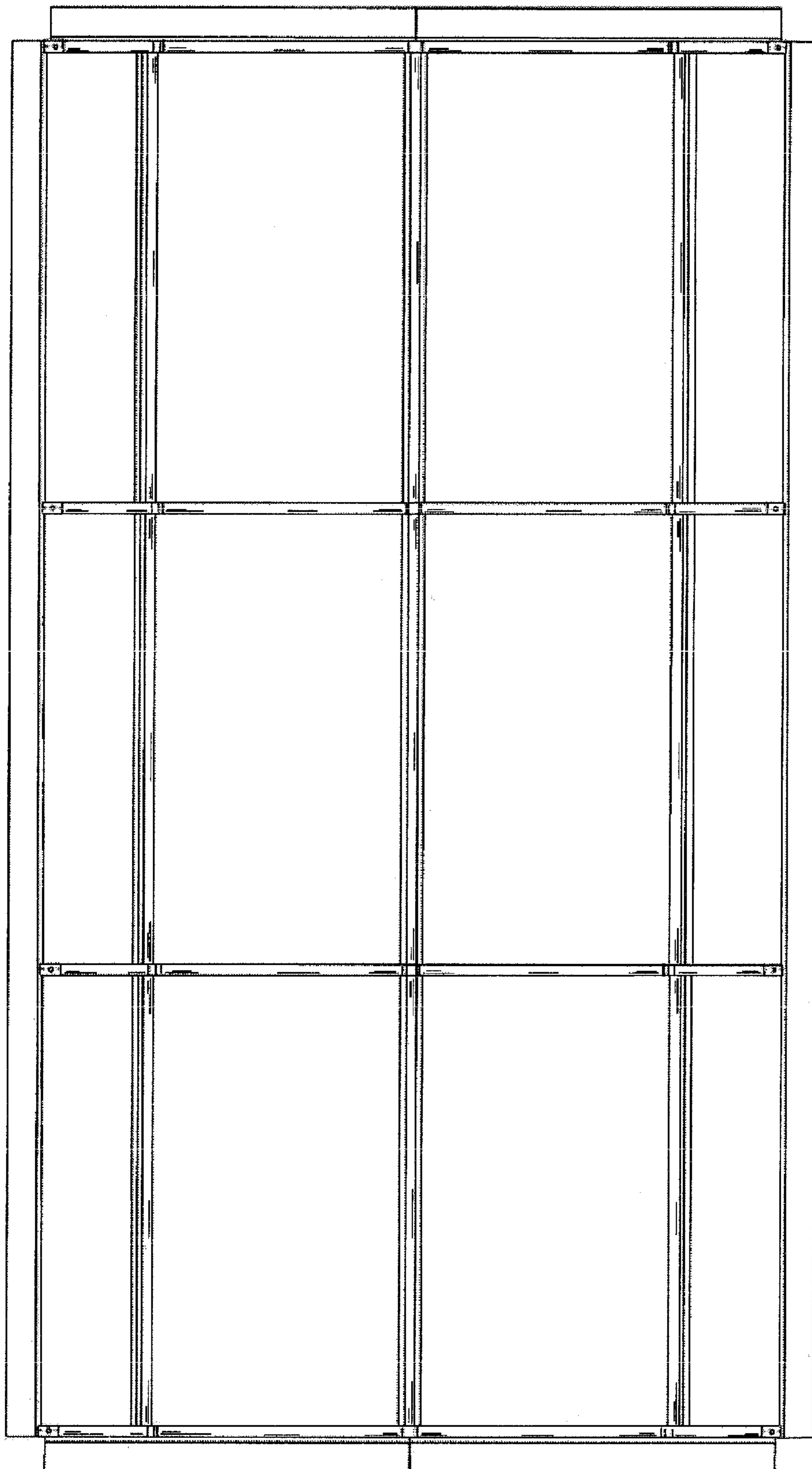


FIG. 5