



US00D603528S

(12) **United States Design Patent**
Howes, III

(10) **Patent No.:** **US D603,528 S**
(45) **Date of Patent:** **** Nov. 3, 2009**

(54) **SKYLIGHT PROTECTOR**

Primary Examiner—Doris Clark

(76) Inventor: **Charles L. Howes, III**, 1503 Route 4A
Box 177, Enfield, NH (US) 03748

(57) **CLAIM**

(**) Term: **14 Years**

I claim, the ornamental design for the skylight protector, as shown and described.

(21) Appl. No.: **29/321,741**

(22) Filed: **Jul. 22, 2008**

DESCRIPTION

(51) **LOC (9) Cl.** **25-03**

FIG. 1 is a front elevational view of the skylight protector showing my new design;

(52) **U.S. Cl.** **D25/53**

FIG. 2 is a rear elevational view of the skylight protector thereof;

(58) **Field of Classification Search** D25/53;
52/200, 202, 203

FIG. 3 is a left-side elevational view of the skylight protector thereof;

See application file for complete search history.

FIG. 4 is a top plan view of the skylight protector thereof;

(56) **References Cited**

U.S. PATENT DOCUMENTS

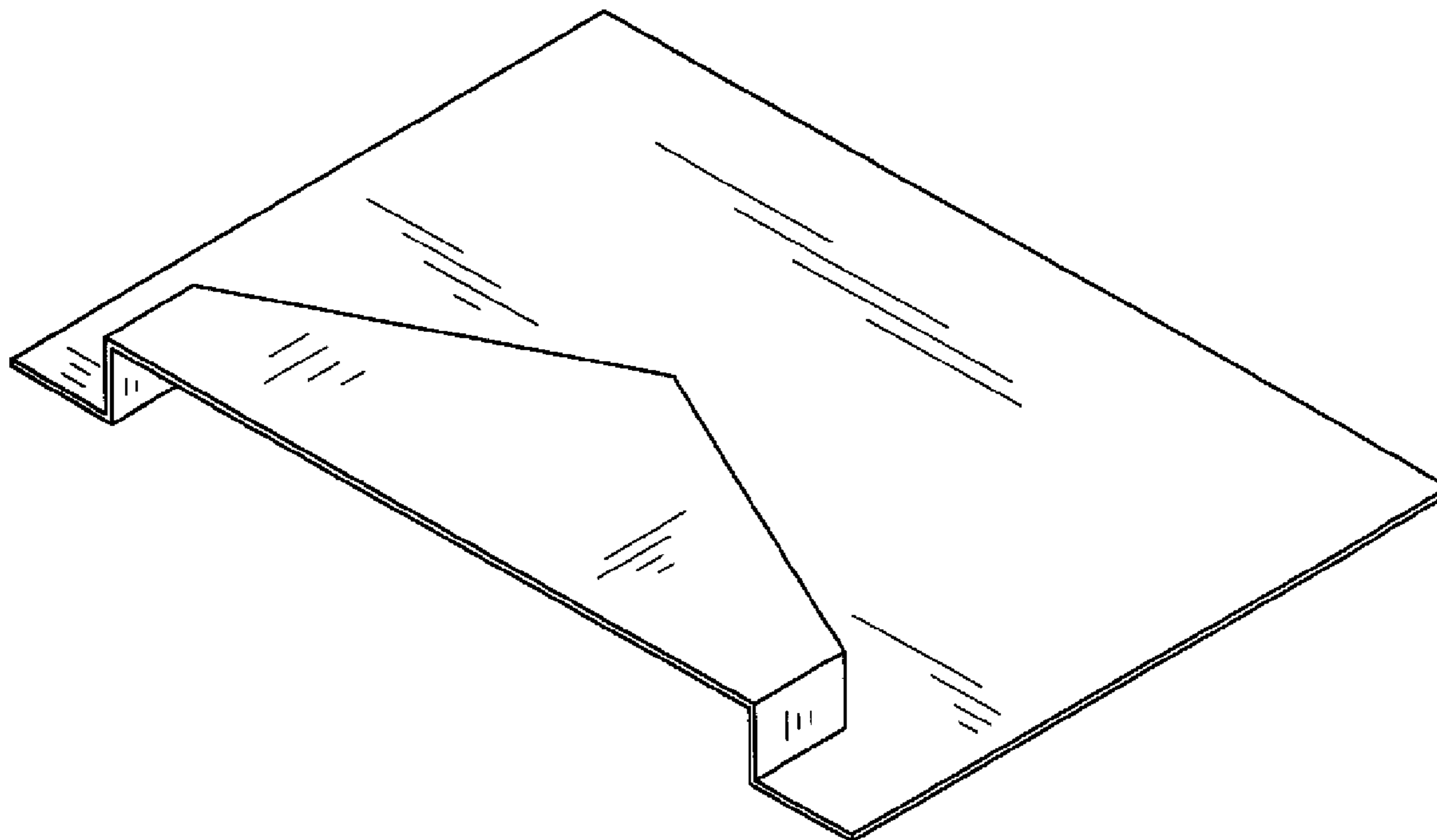
- D406,356 S * 3/1999 Reeder D25/53
- 6,601,352 B1 * 8/2003 Obermeyer et al. 52/202
- D484,250 S * 12/2003 Martinez et al. D25/54
- 6,804,918 B2 * 10/2004 Lindgren et al. 52/72

FIG. 5 is a bottom plan view of the skylight protector thereof; and,

FIG. 6 is a perspective view of the skylight protector thereof.

* cited by examiner

1 Claim, 3 Drawing Sheets



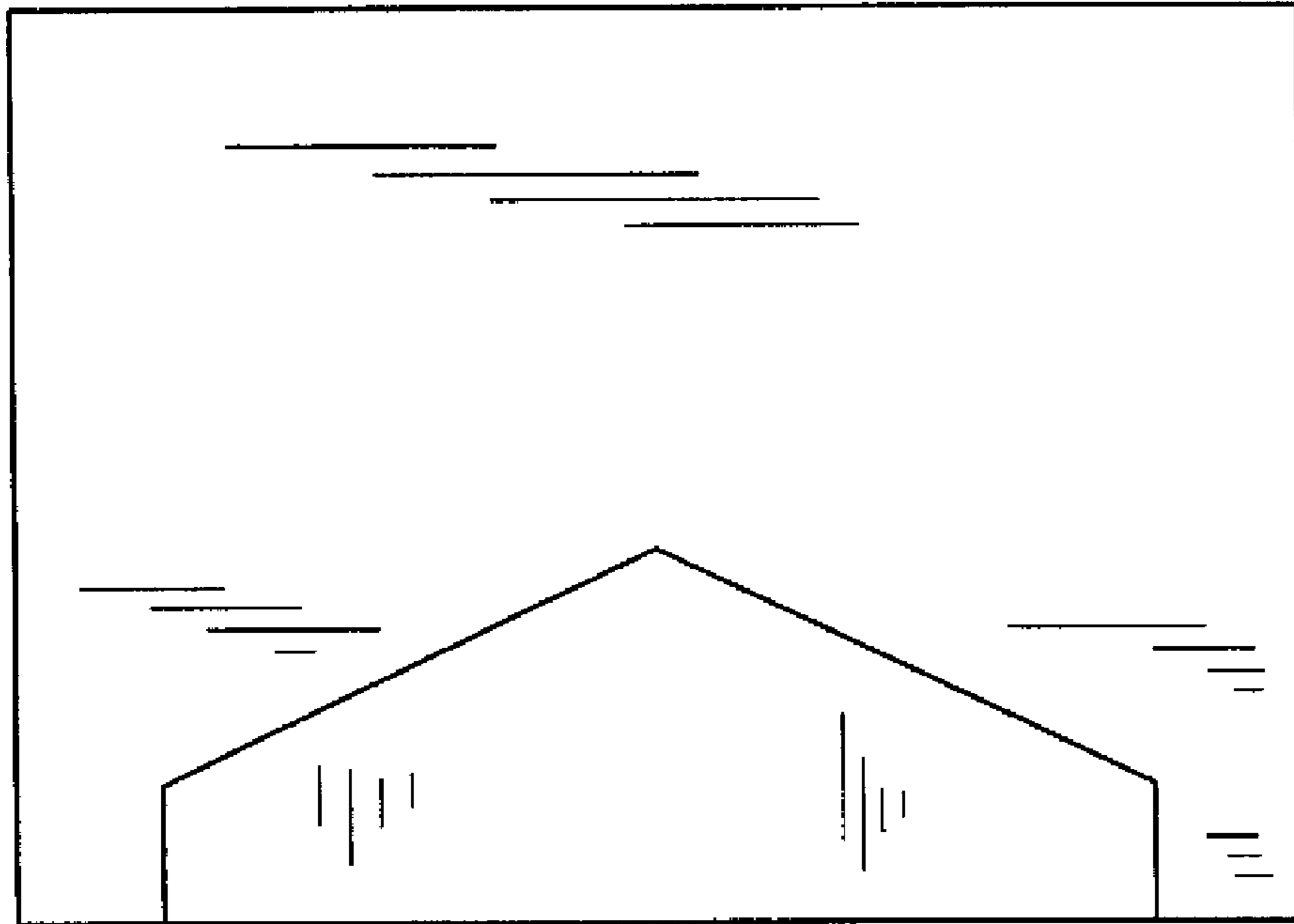


FIG. 1

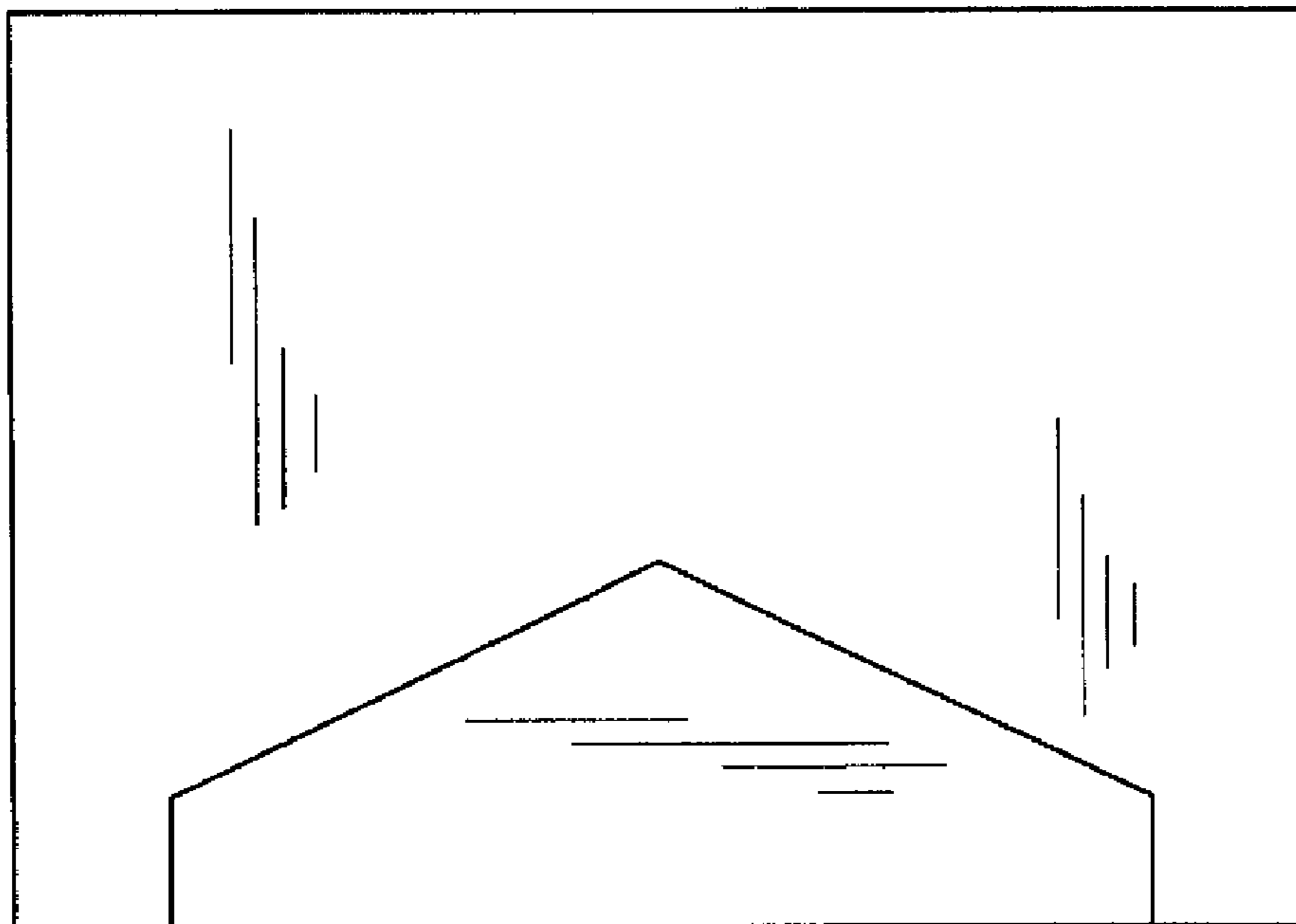


FIG. 2

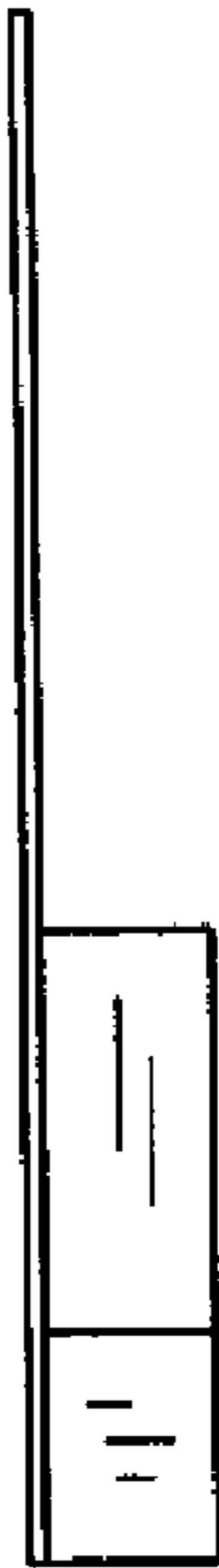


FIG. 3



FIG. 4

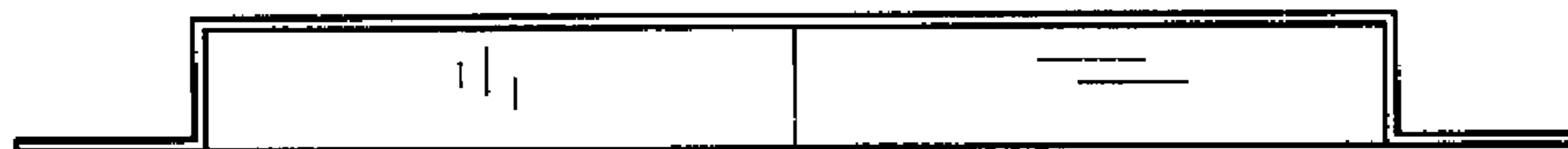


FIG. 5

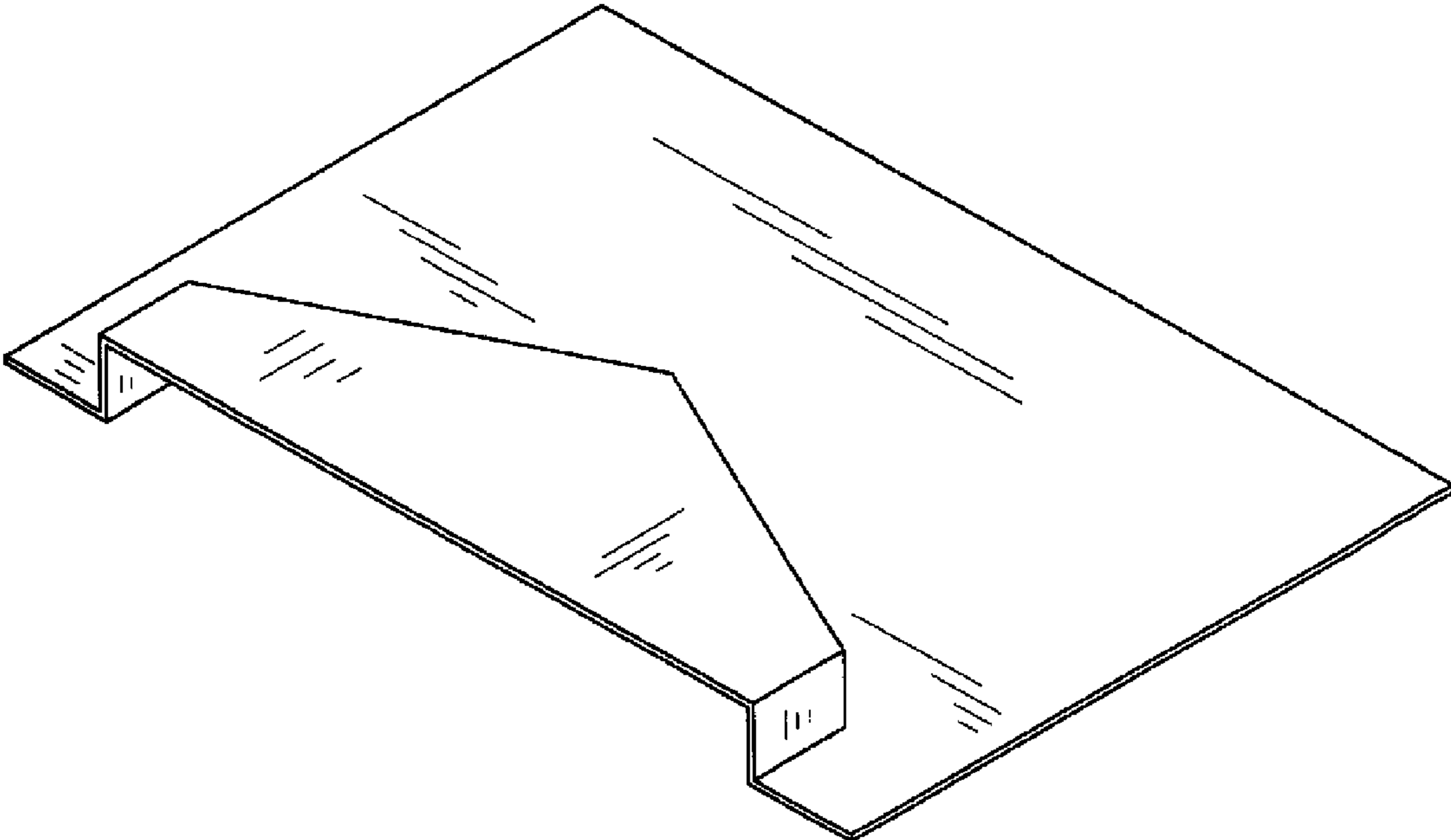


FIG. 6