

US00D603526S

(12) **United States Design Patent**
Schwartz et al.

(10) **Patent No.:** **US D603,526 S**
(45) **Date of Patent:** **** Nov. 3, 2009**

(54) **TRANSIT SHELTER**

(75) Inventors: **Elisabeth Schwartz**, Munich (DE);
Michael Waldron, Munich (DE); **Sonja Schiefer**, Munich (DE)

(73) Assignee: **Landscape Forms, Inc.**, Kalamazoo, MI (US)

(**) Term: **14 Years**

(21) Appl. No.: **29/335,537**

(22) Filed: **Apr. 17, 2009**

(51) **LOC (9) Cl.** **25-01**

(52) **U.S. Cl.** **D25/32**

(58) **Field of Classification Search** D25/1,
D25/16, 18, 25, 33; 52/36.2, 64, 79.1, 79.4,
52/79.5

See application file for complete search history.

(56) **References Cited**

U.S. PATENT DOCUMENTS

D188,346 S *	7/1960	Smith	D25/1
D196,039 S *	8/1963	Hollander	D25/1
D222,441 S *	10/1971	Sklaar	D25/1
D222,989 S *	2/1972	Merrill	D25/18
D250,837 S *	1/1979	Lahaie	D25/1
D252,215 S *	6/1979	Leuthesser	D25/1
D286,075 S *	10/1986	Corte	D25/1

D294,300 S *	2/1988	Hoelterhoff et al.	D25/1
D336,136 S *	6/1993	Foster	D25/1
D338,073 S *	8/1993	Wall	D25/56
D406,352 S *	3/1999	Kleihues	D25/1
D409,759 S *	5/1999	Foster	D25/1

* cited by examiner

Primary Examiner—T. Chase Nelson

Assistant Examiner—Eric L Goodman

(74) *Attorney, Agent, or Firm*—Heslin Rothenberg Farley & Mesiti P.C.

(57) **CLAIM**

The ornamental design for the transit shelter, as shown and described.

DESCRIPTION

FIG. 1 is a perspective view of the transit shelter of the present design;

FIG. 2 is a front elevation view thereof;

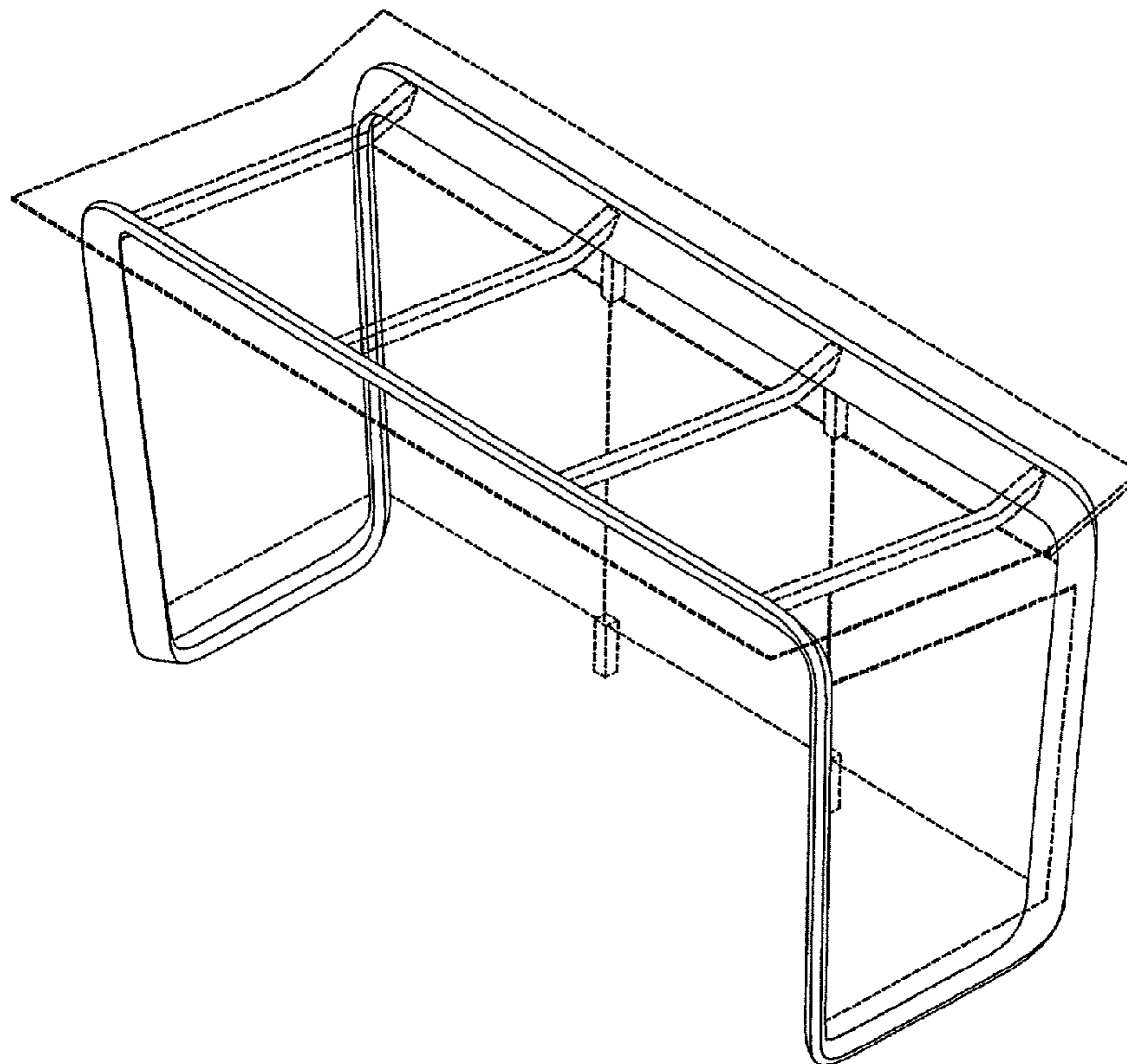
FIG. 3 is a right side elevation view thereof, the left side elevation view being a mirror image thereof;

FIG. 4 is a rear elevation view thereof; and,

FIG. 5 is a top plan view thereof.

The broken lines in the figures are for illustrative purposes only and form no part of the claimed invention.

1 Claim, 5 Drawing Sheets



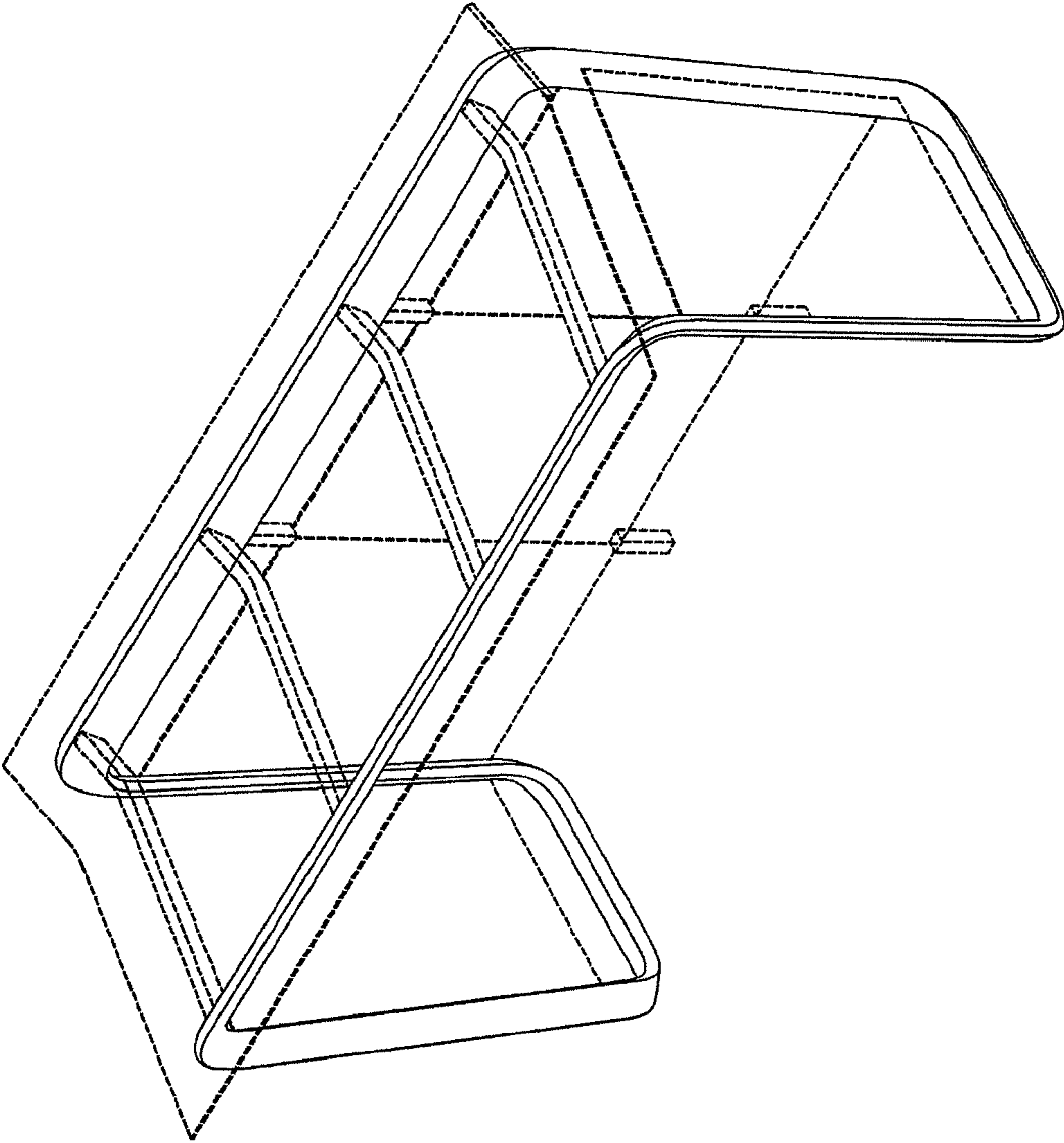


FIG. 1

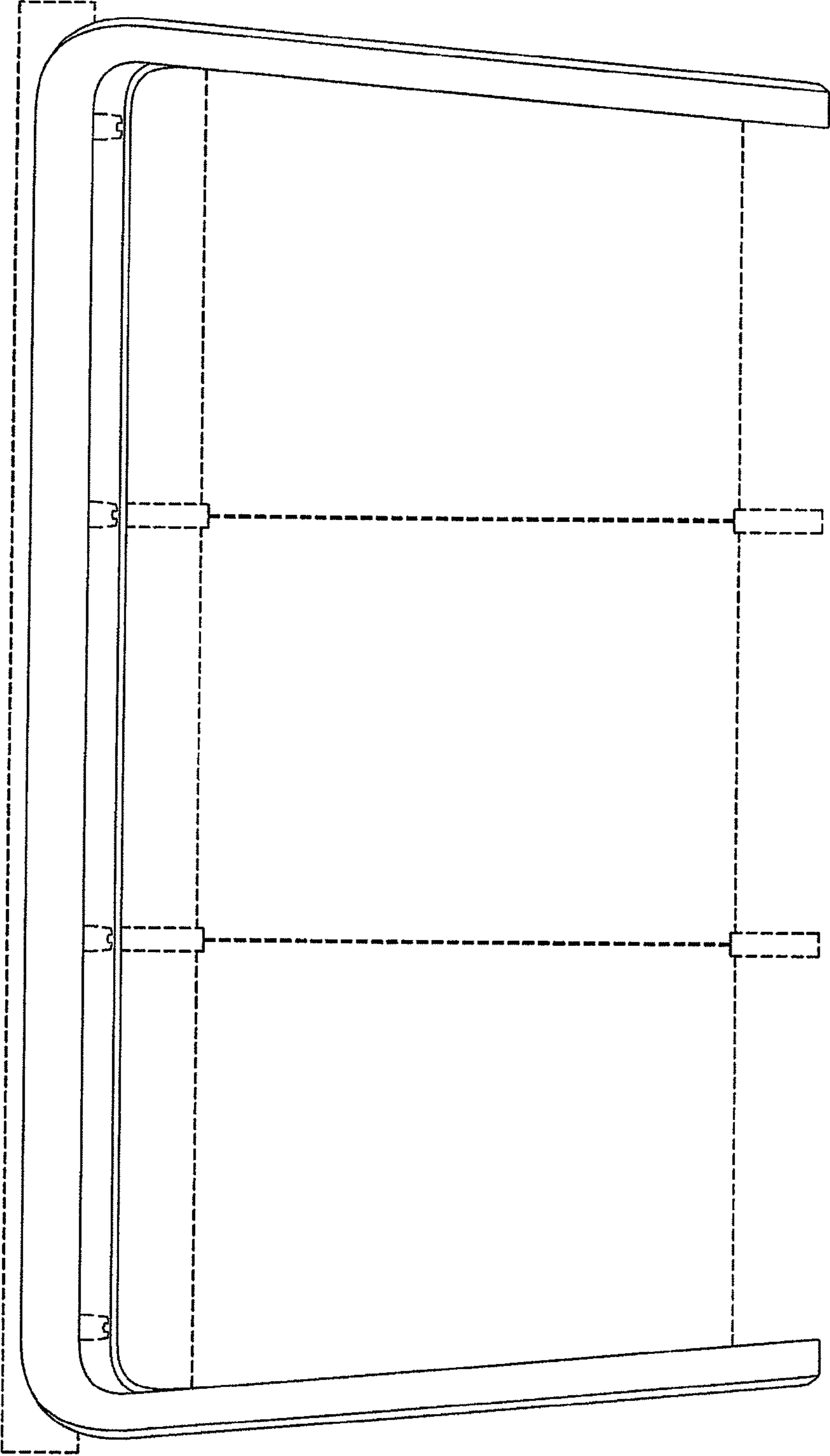


FIG. 2

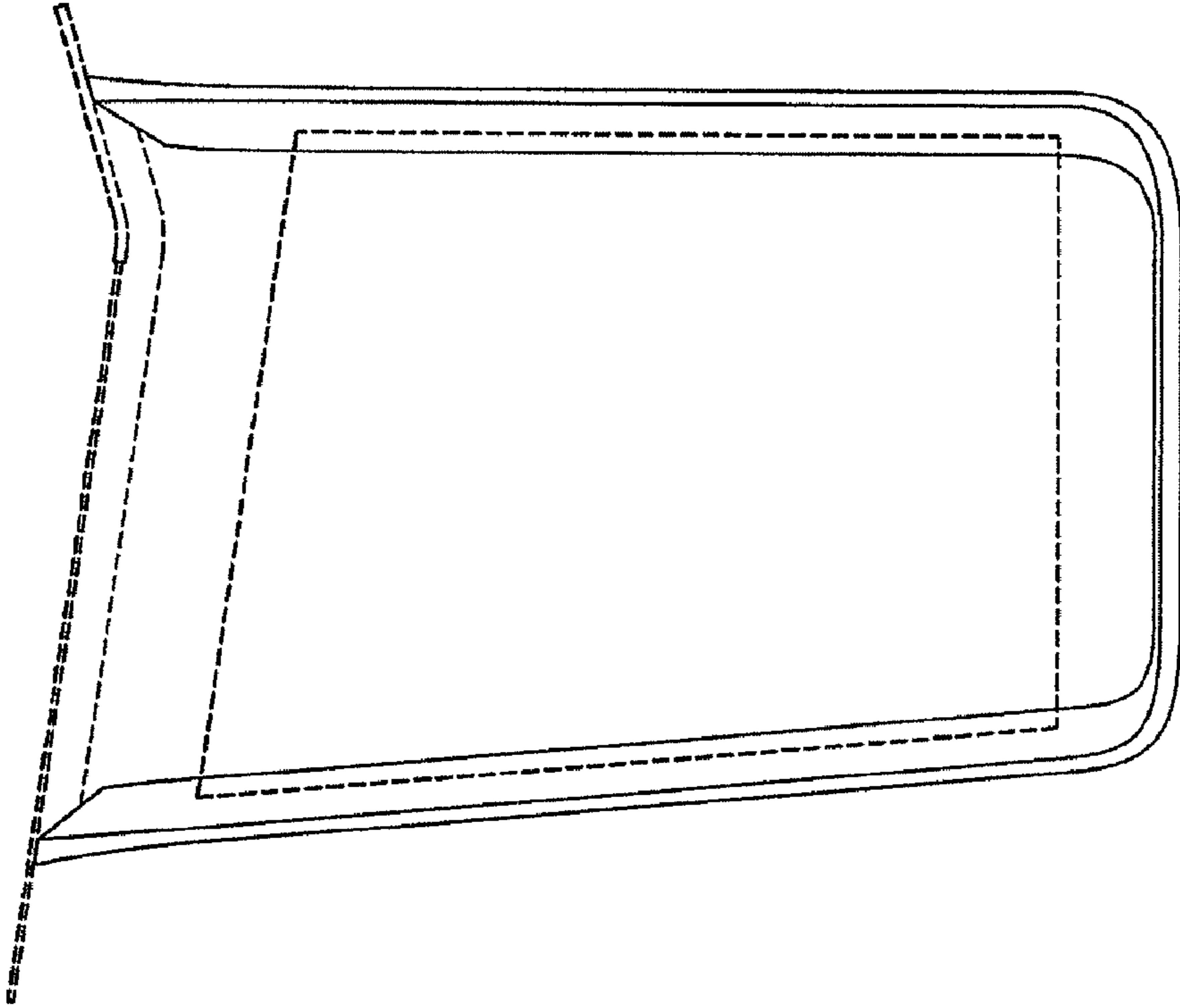


FIG. 3

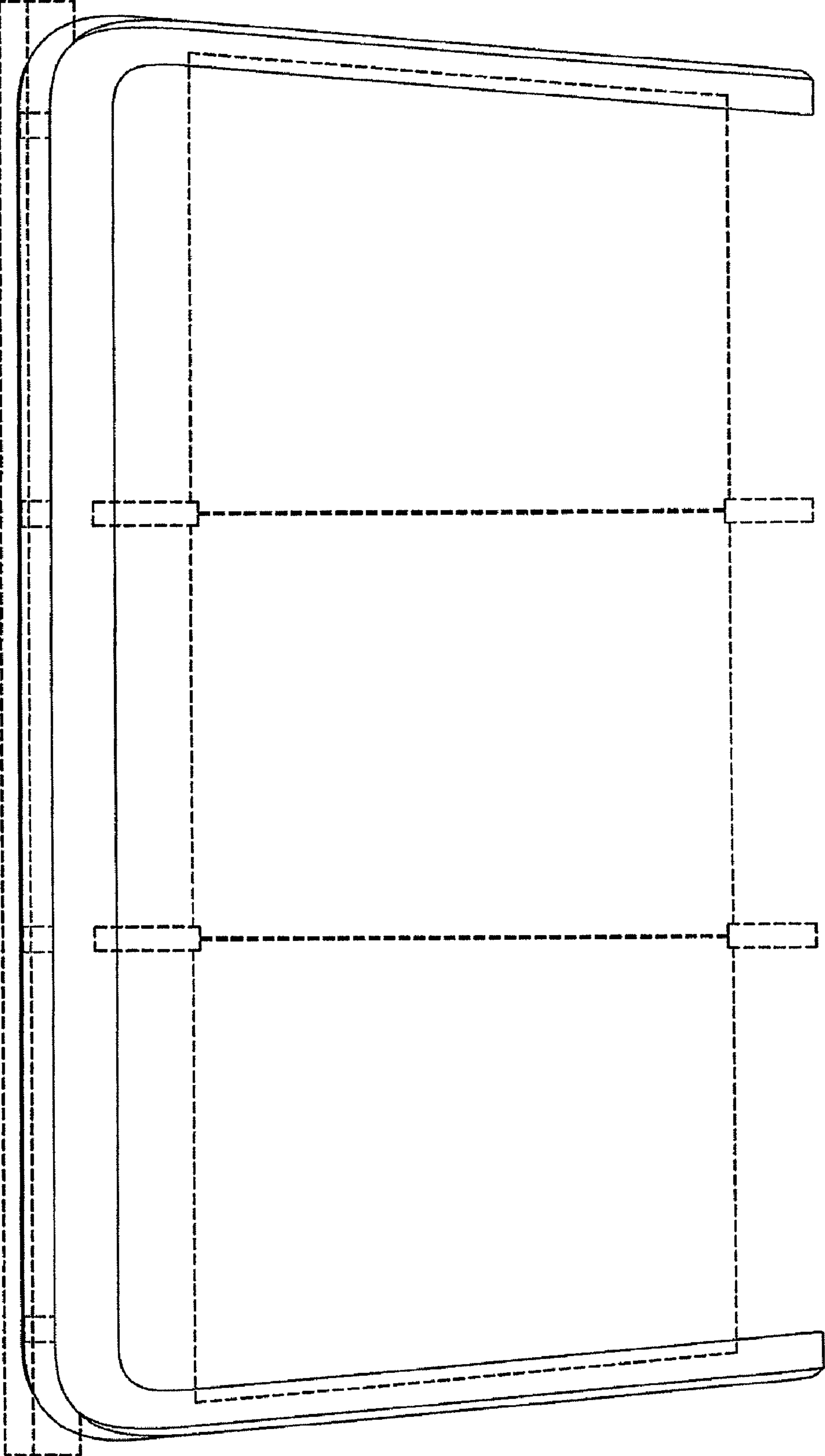


FIG. 4

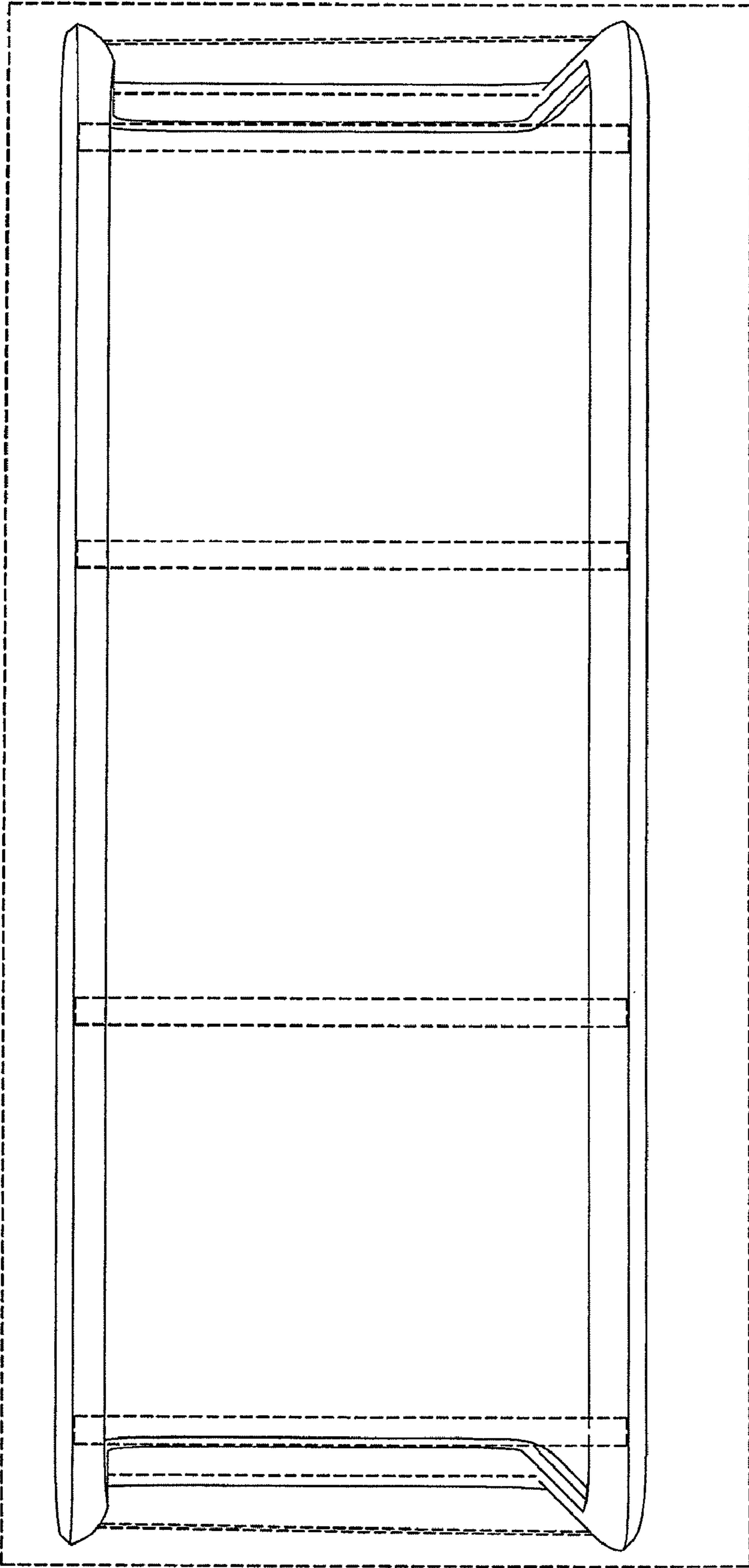


FIG. 5