



US00D603525S

(12) **United States Design Patent**
Foreman et al.

(10) **Patent No.:** **US D603,525 S**

(45) **Date of Patent:** **** Nov. 3, 2009**

(54) **CHARGING FIXTURE WITH VALVES**

(75) Inventors: **James Foreman**, Crystal Lake, IL (US);
David Mufson, San Francisco, CA (US);
Roy Duane Archibald, Sonora, CA
(US); **Randal R. Schettl**, Crystal Lake,
IL (US)

(73) Assignees: **Insite Vision Incorporated**, Alameda,
CA (US); **Catalent Pharma Solutions**,
Somerset, NJ (US)

(**) Term: **14 Years**

(21) Appl. No.: **29/326,079**

(22) Filed: **Oct. 10, 2008**

(51) **LOC (9) Cl.** **24-01**
(52) **U.S. Cl.** **D24/232**
(58) **Field of Classification Search** D24/216,
D24/217, 222, 224, 231, 232; D8/307, 310,
D8/312, 343; D10/81, 103; D15/150; D7/700;
422/39, 99-103, 149, 198, 306, 919, 934;
436/8

See application file for complete search history.

(56) **References Cited**

U.S. PATENT DOCUMENTS

D183,528 S * 9/1958 Kupp D24/232
D183,529 S * 9/1958 Kupp D24/222
D195,458 S * 6/1963 Kupp D24/222
D198,160 S * 5/1964 Thompson D24/232
D203,174 S * 12/1965 Luft D24/222
D269,409 S * 6/1983 Ferdinand et al. D8/310
D340,460 S * 10/1993 Pollak et al. D15/150
D340,468 S * 10/1993 Pollak et al. D15/150
D413,678 S * 9/1999 Anderson et al. D24/232
D437,797 S * 2/2001 Bishop D10/81
D451,361 S * 12/2001 Yang D8/307

D464,249 S * 10/2002 Laabs et al. D8/343
D465,387 S * 11/2002 DuBow D7/700
D468,186 S * 1/2003 Su D8/307
D472,947 S * 4/2003 Wu D8/312
D567,959 S * 4/2008 Williams et al. D24/216

* cited by examiner

Primary Examiner—T. Chase Nelson

Assistant Examiner—Mark Cavanna

(74) *Attorney, Agent, or Firm*—McDermott Will & Emery
LLP

(57) **CLAIM**

The ornamental design for a charging fixture with valves, as
shown and described.

DESCRIPTION

FIG. 1 is a perspective view of the charging fixture with valves
showing our new design;

FIG. 2 is a side view thereof;

FIG. 3 is another side view thereof;

FIG. 4 is a front view thereof;

FIG. 5 is a rear thereof;

FIG. 6 is a top view thereof;

FIG. 7 is a bottom view thereof;

FIG. 8 is a perspective view of the charging fixture with valves
with the valve portions removed for clarity of illustration;

FIG. 9 is a side view thereof;

FIG. 10 is another side thereof;

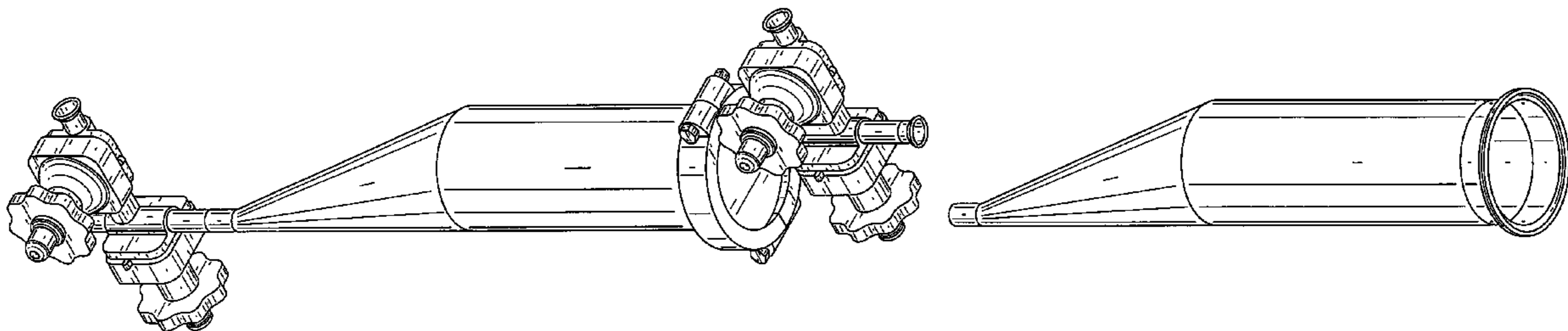
FIG. 11 is a front view thereof;

FIG. 12 is a rear view thereof;

FIG. 13 is a top view thereof; and,

FIG. 14 is a bottom view thereof.

1 Claim, 12 Drawing Sheets



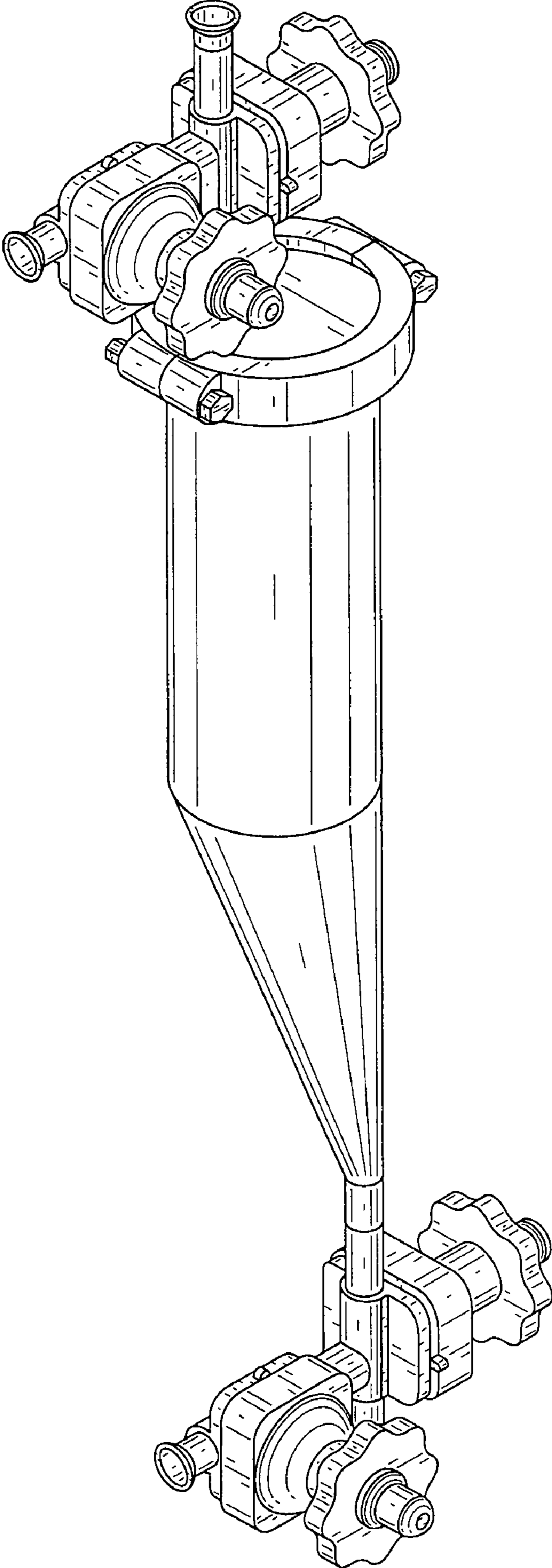


FIG. 1

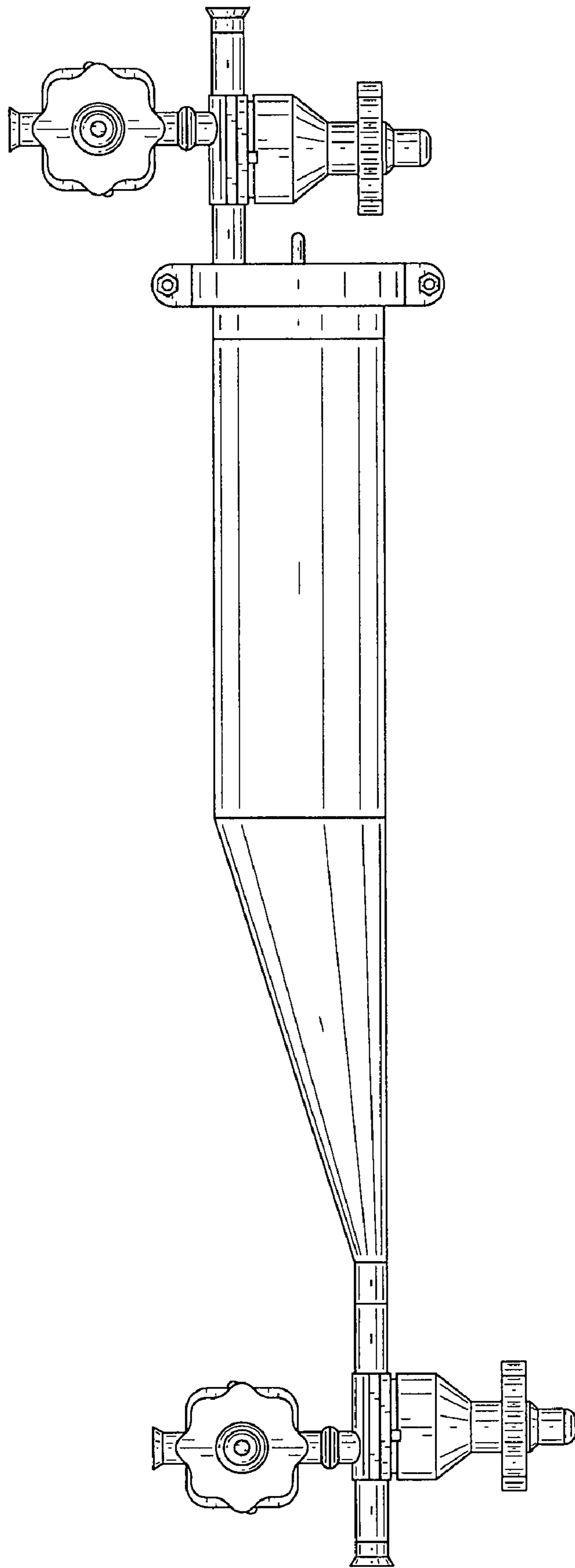


FIG. 2

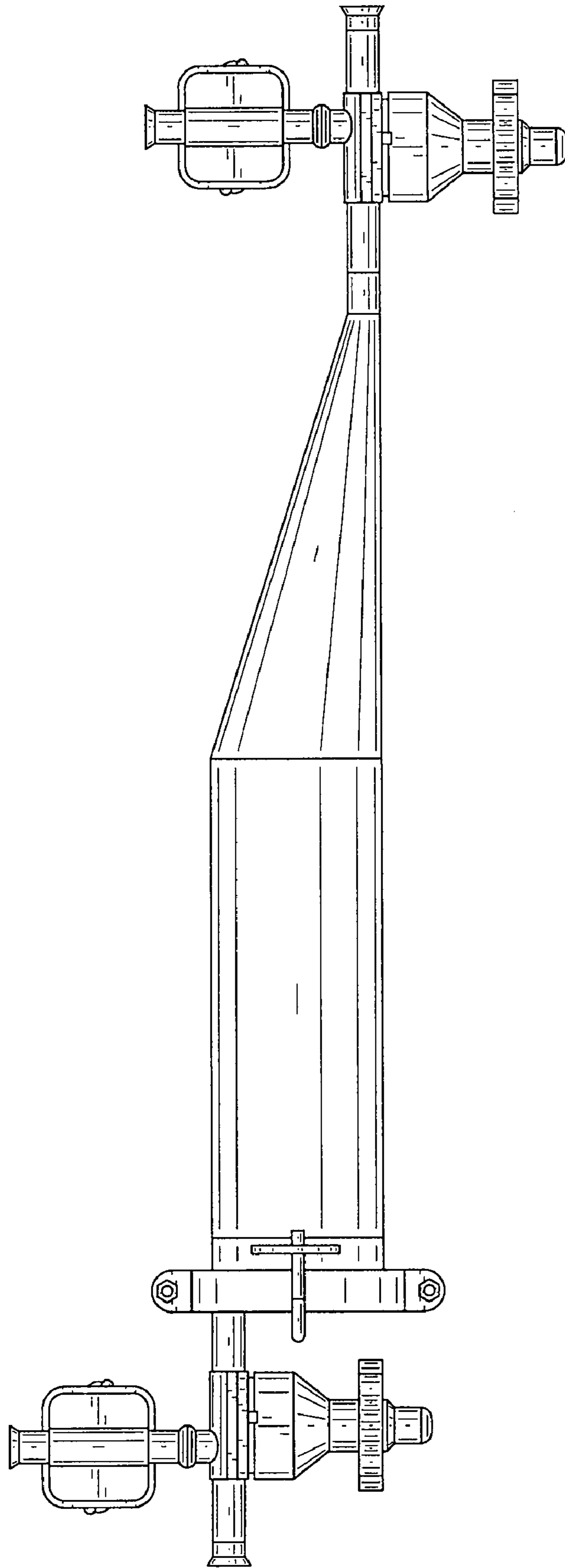


FIG. 3

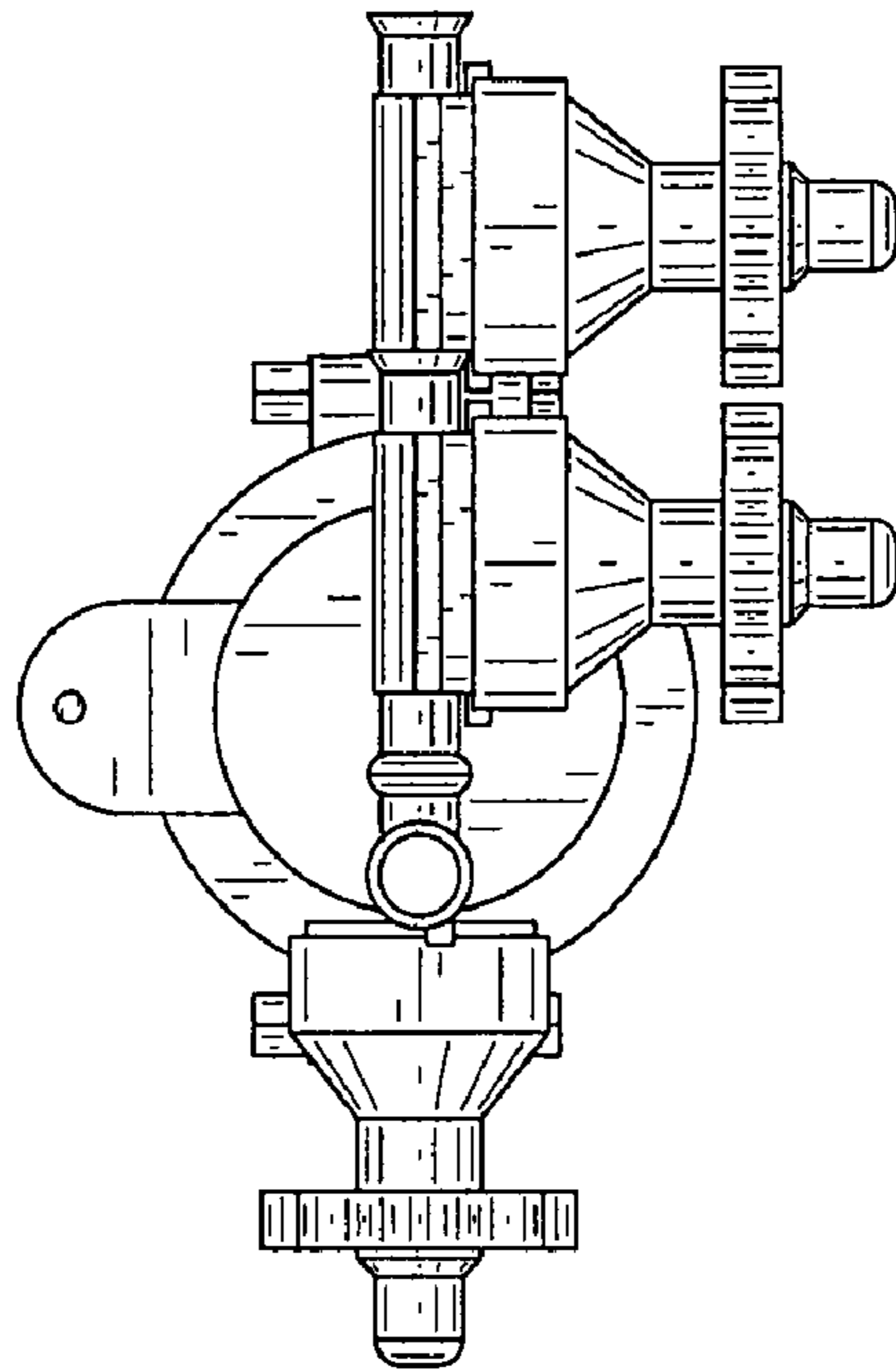


FIG. 4

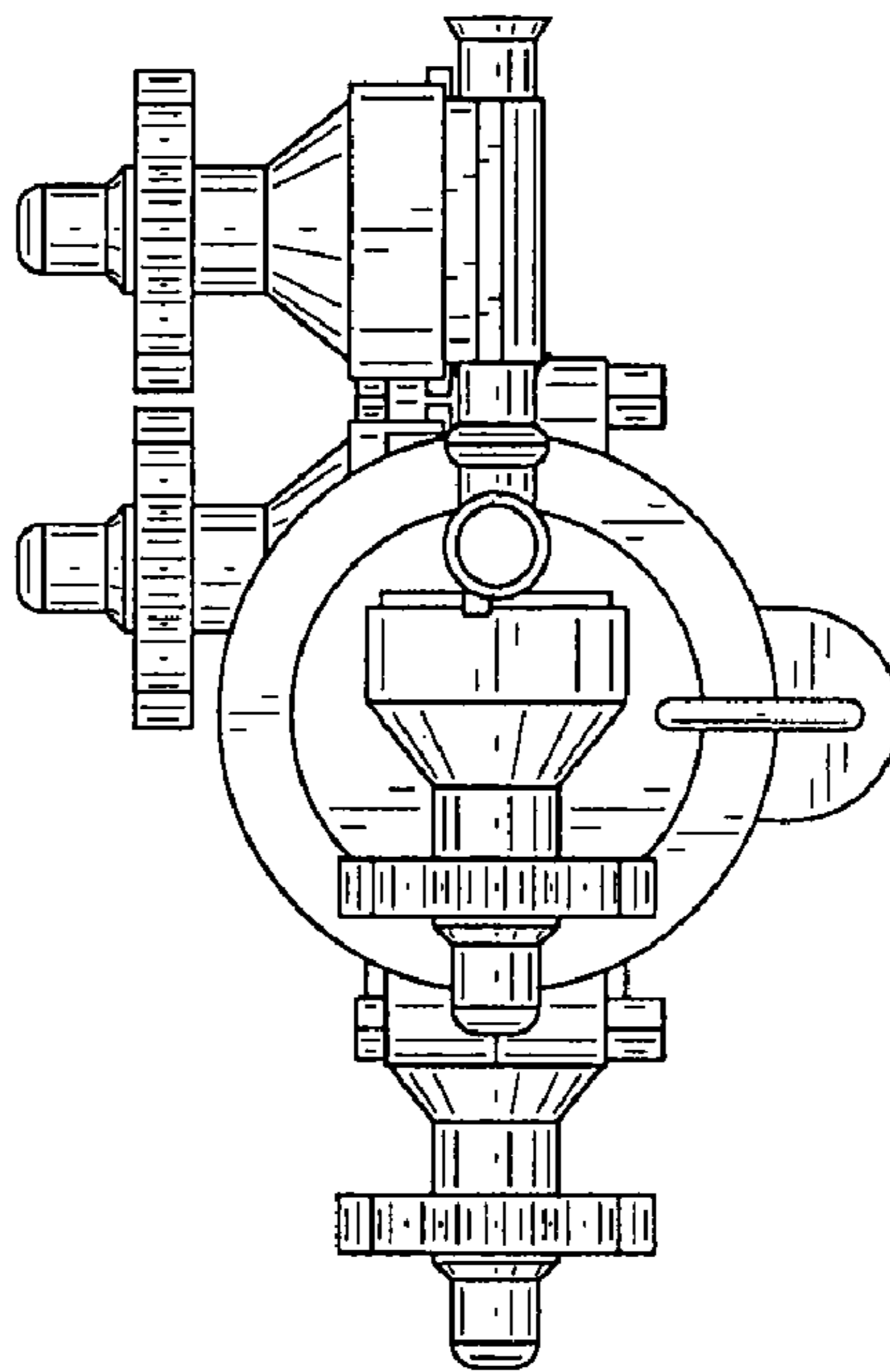


FIG. 5

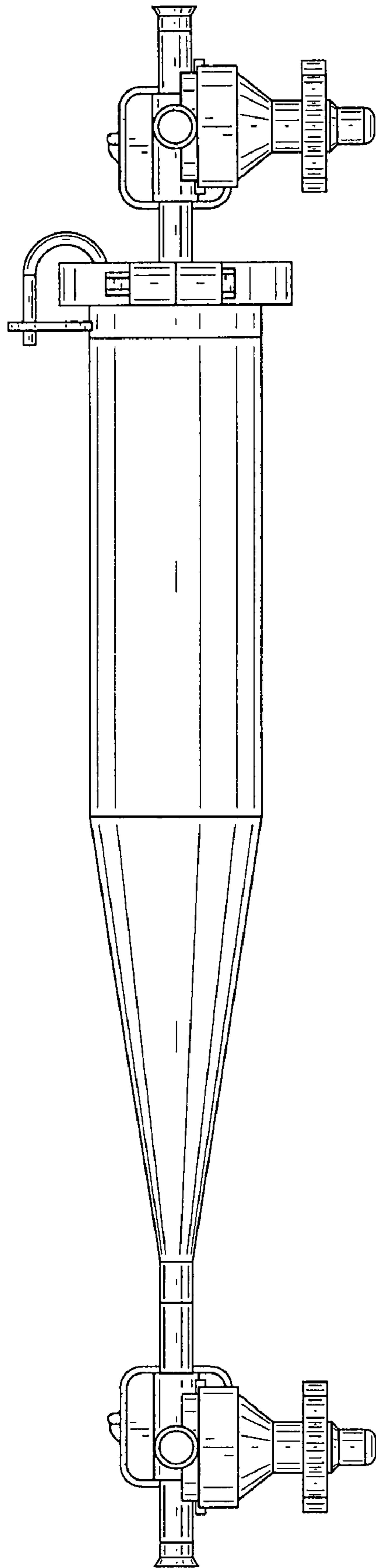


FIG. 6

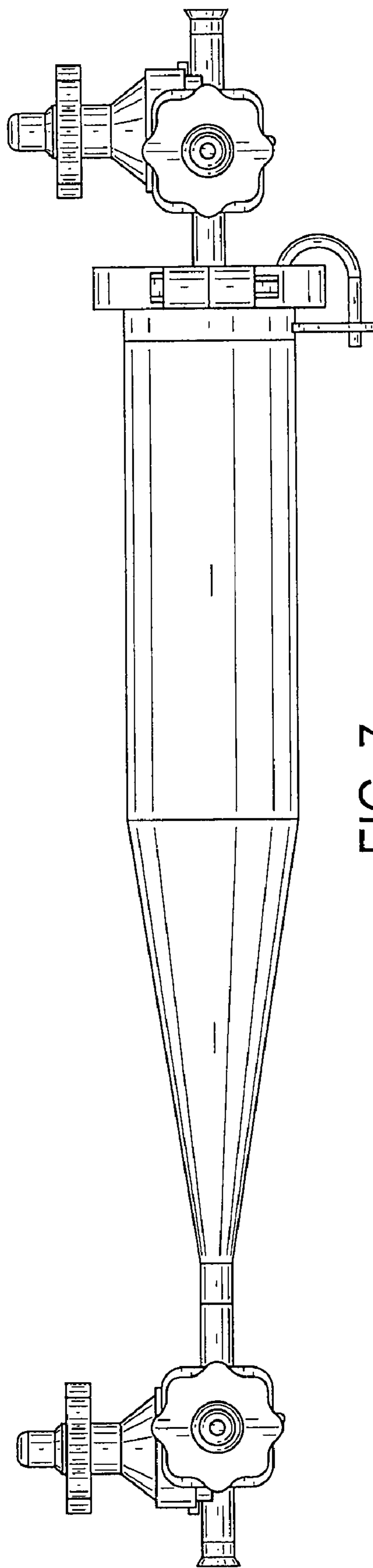


FIG. 7

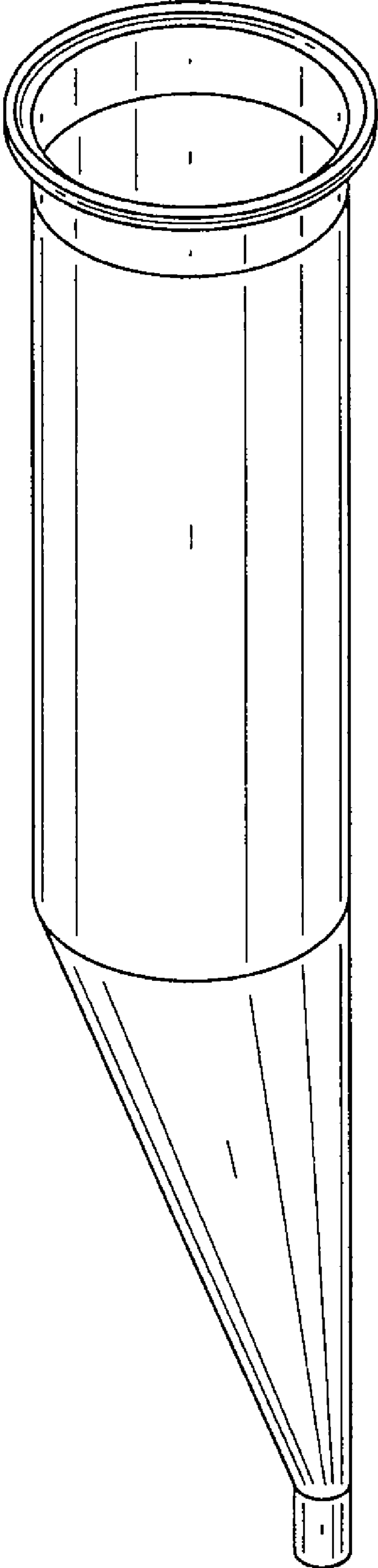


FIG. 8

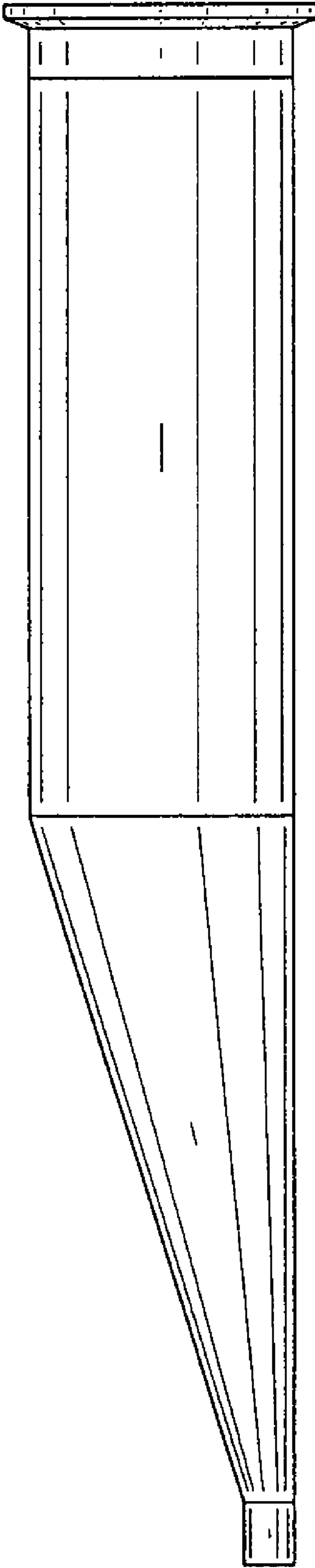


FIG. 9

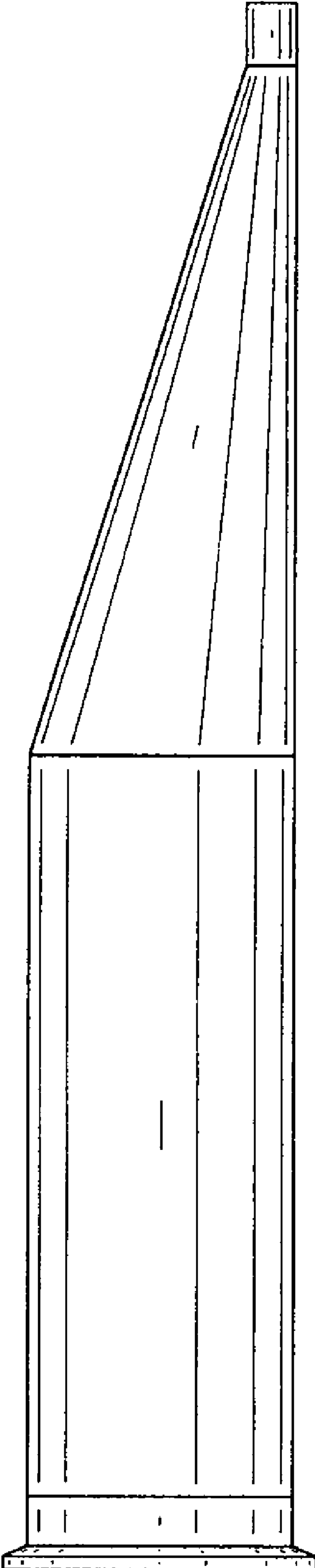


FIG. 10

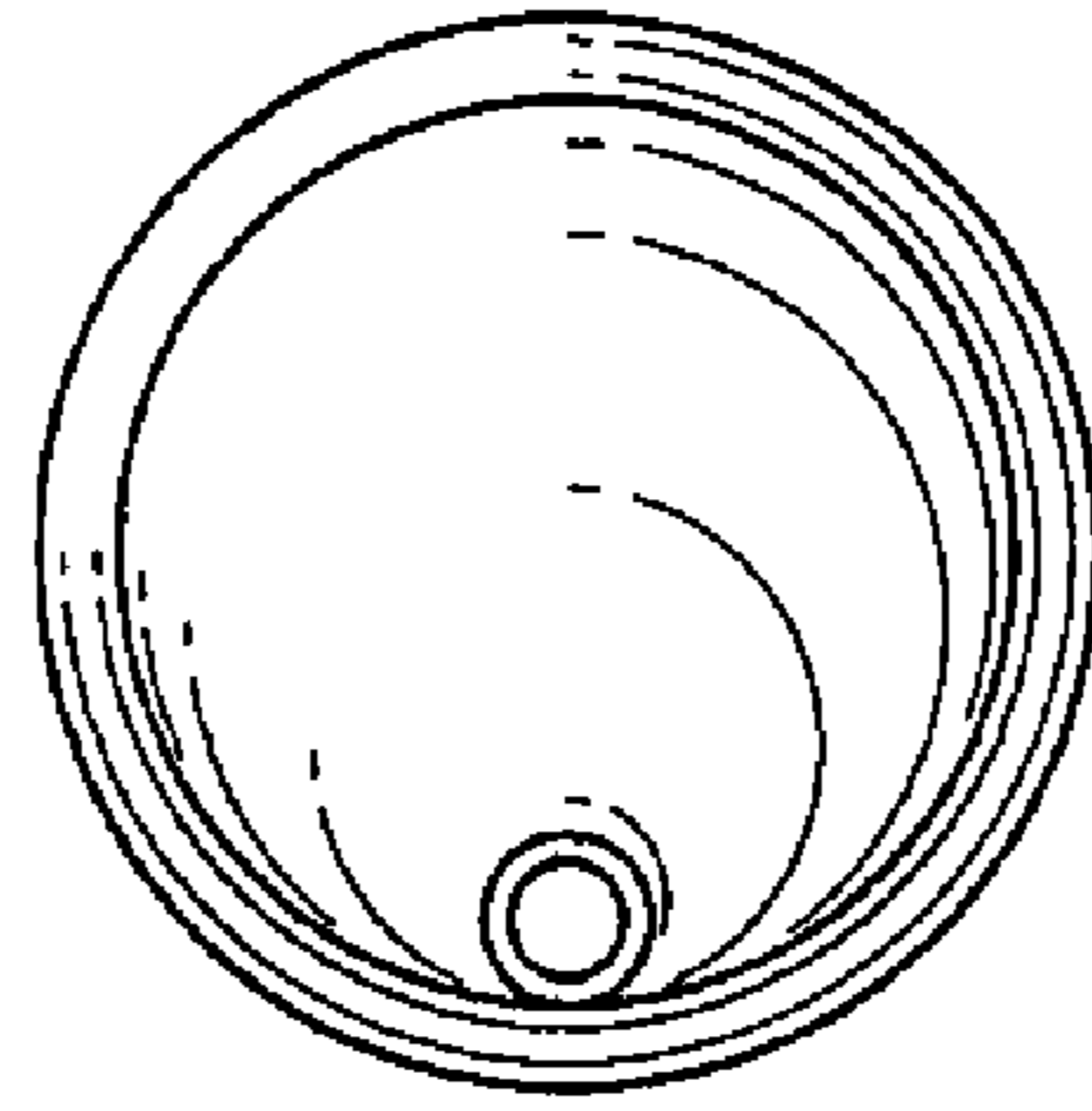


FIG. 11

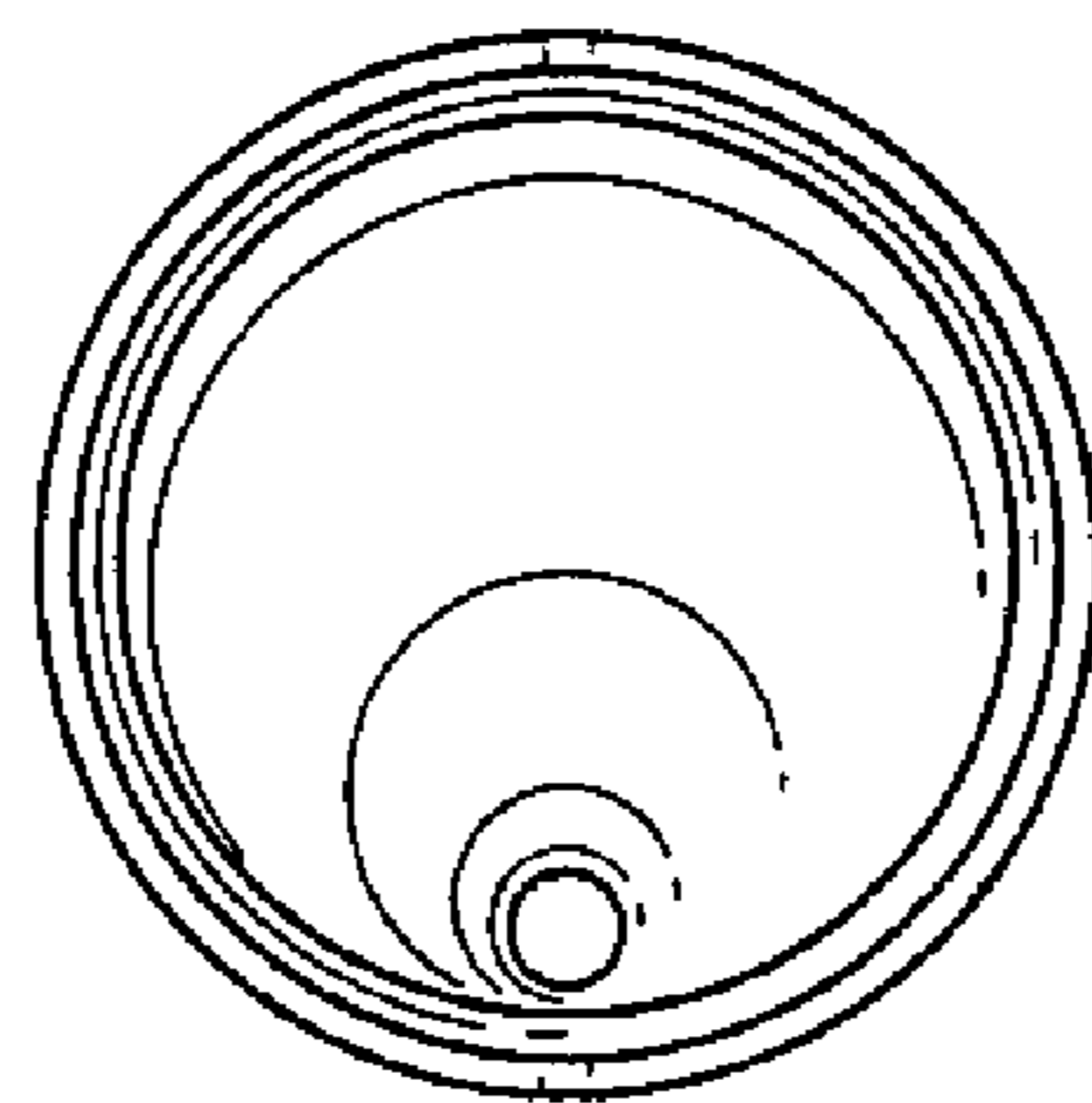


FIG. 12

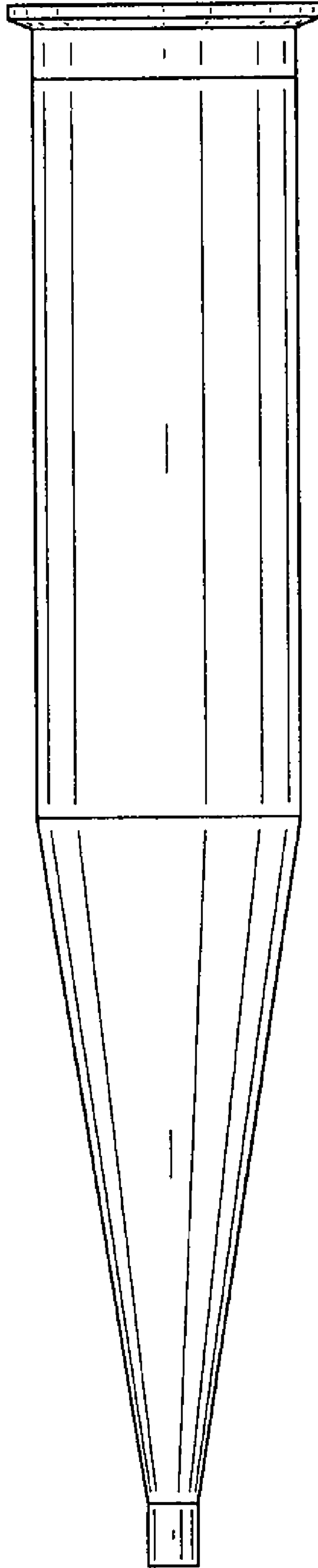


FIG. 13

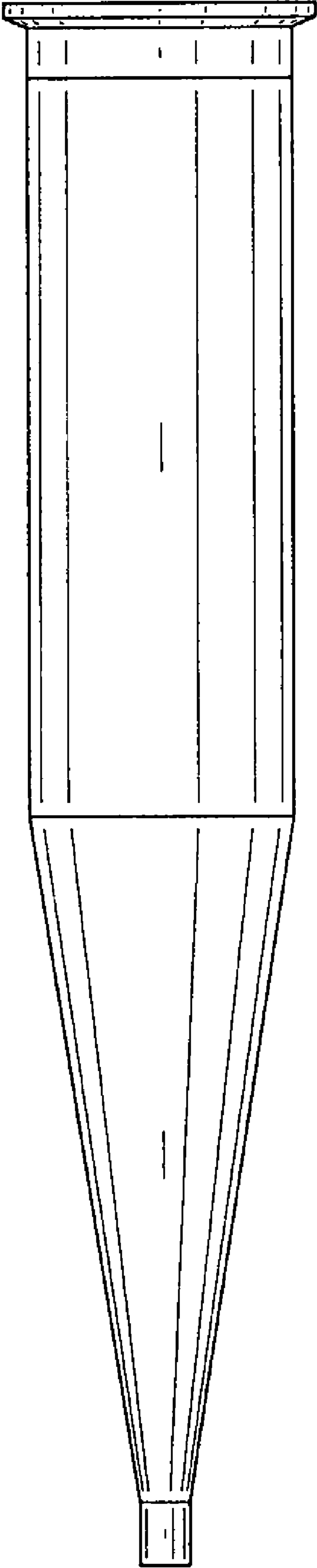


FIG. 14