



US00D603524S

(12) **United States Design Patent**
Suzuki et al.

(10) **Patent No.:** **US D603,524 S**
(45) **Date of Patent:** **** Nov. 3, 2009**

(54) **PORTION OF A SAMPLE RACK**

(75) Inventors: **Kouichi Suzuki**, Hitachinaka (JP);
Nobuo Suzuki, Hitachinaka (JP); **Seiji Nomura**, Tokai (JP); **Takeshi Setomaru**, Hitachinaka (JP)

(73) Assignee: **Hitachi High-Technologies Corporation**, Tokyo (JP)

(**) Term: **14 Years**

(21) Appl. No.: **29/309,873**

(22) Filed: **Oct. 30, 2008**

(30) **Foreign Application Priority Data**

Jul. 18, 2008 (JP) 2008-018581

(51) **LOC (9) Cl.** **24-02**

(52) **U.S. Cl.** **D24/229**

(58) **Field of Classification Search** D24/108,
D24/127-130, 216, 224, 227-232; 422/63-64,
422/99-104, 250, 266, 297, 300, 476; 211/74,
211/71.01; D8/9, 19, 27, 70-71, 60, 354,
D8/356, 387, 399, 499; D13/112; D15/11,
D15/145, 147; D25/119, 124

See application file for complete search history.

(56) **References Cited**

U.S. PATENT DOCUMENTS

- D333,522 S * 2/1993 Gianino D24/229
- D392,866 S * 3/1998 Degen et al. D8/71
- D413,391 S * 8/1999 Lapeus et al. D24/230
- D413,677 S * 9/1999 Dumitrescu et al. D24/227
- D417,009 S * 11/1999 Boyd D24/227
- D420,747 S * 2/2000 Dumitrescu et al. D24/229
- D421,130 S * 2/2000 Cohen et al. D24/229
- D428,497 S * 7/2000 Lapeus et al. D24/227
- D433,759 S * 11/2000 Mathis et al. D24/227
- D483,241 S * 12/2003 Miller et al. D8/71
- D484,989 S * 1/2004 Gebrian D24/230
- D500,363 S * 12/2004 Fanning et al. D24/229

- D516,891 S * 3/2006 Thomas D8/70
- D534,280 S * 12/2006 Gomm et al. D24/224
- D560,811 S * 1/2008 Powell et al. D24/216
- D568,731 S * 5/2008 Campbell D8/387

FOREIGN PATENT DOCUMENTS

- JP D878520 9/1993
- JP 2006-292696 10/2006

OTHER PUBLICATIONS

Sample rack, (Parts No. E001-E020), before 2003, Hitachi High-Technologies Corporation.

* cited by examiner

Primary Examiner—T. Chase Nelson
Assistant Examiner—Mark Cavanna

(74) *Attorney, Agent, or Firm*—Antonelli, Terry, Stout & Kraus, LLP.

(57) **CLAIM**

We claim the ornamental design for a portion of a sample rack, as shown and described.

DESCRIPTION

FIG. 1 is a front, top and left side perspective view of a portion of a sample rack showing our new design;

FIG. 2 is a top plan view thereof;

FIG. 3 is an enlarged view of the portion shown in box 3 in FIG. 2;

FIG. 4 is a front elevational view thereof;

FIG. 5 is a left side elevational view thereof;

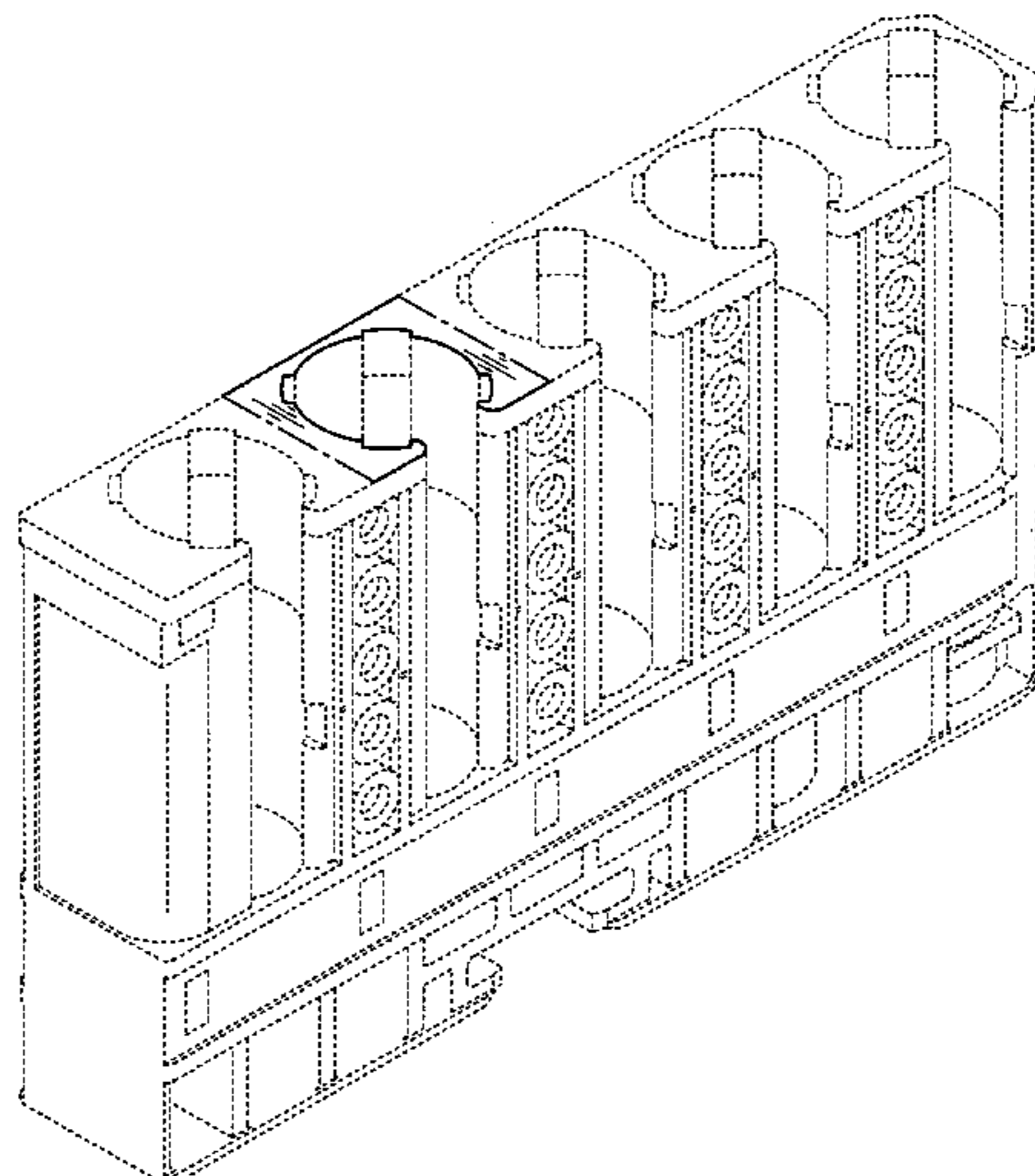
FIG. 6 is a right side elevational view thereof;

FIG. 7 is a bottom plan view thereof; and,

FIG. 8 is a rear elevational view thereof.

The broken lines shown are for illustrative purpose and form no part of the claimed design. The alternate long and short dash lines define, but are not included in, the boundaries of the claimed design.

1 Claim, 7 Drawing Sheets



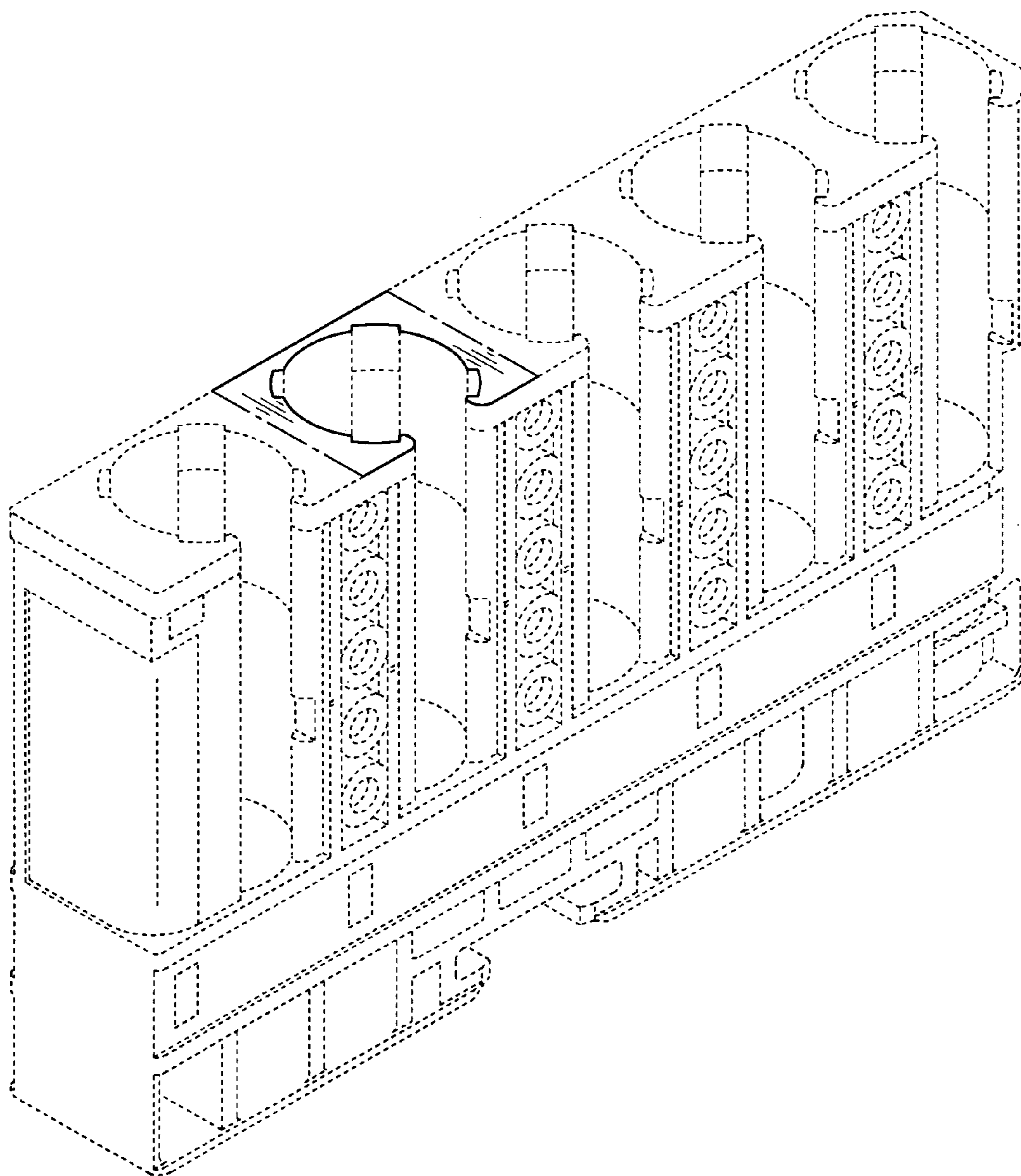


FIG. 1

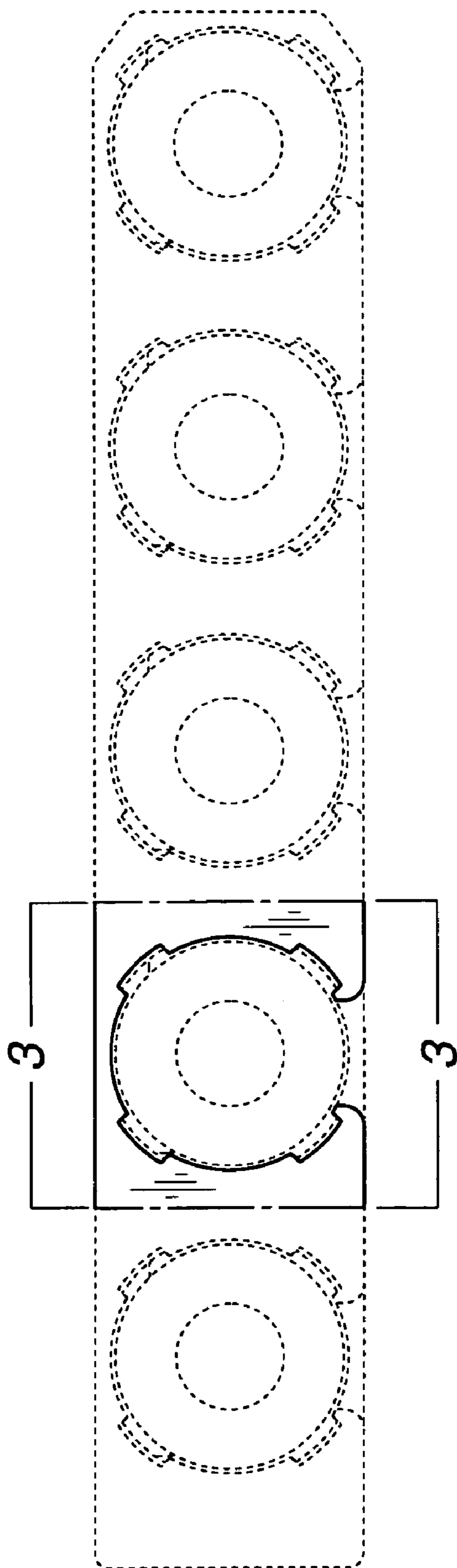


FIG. 2

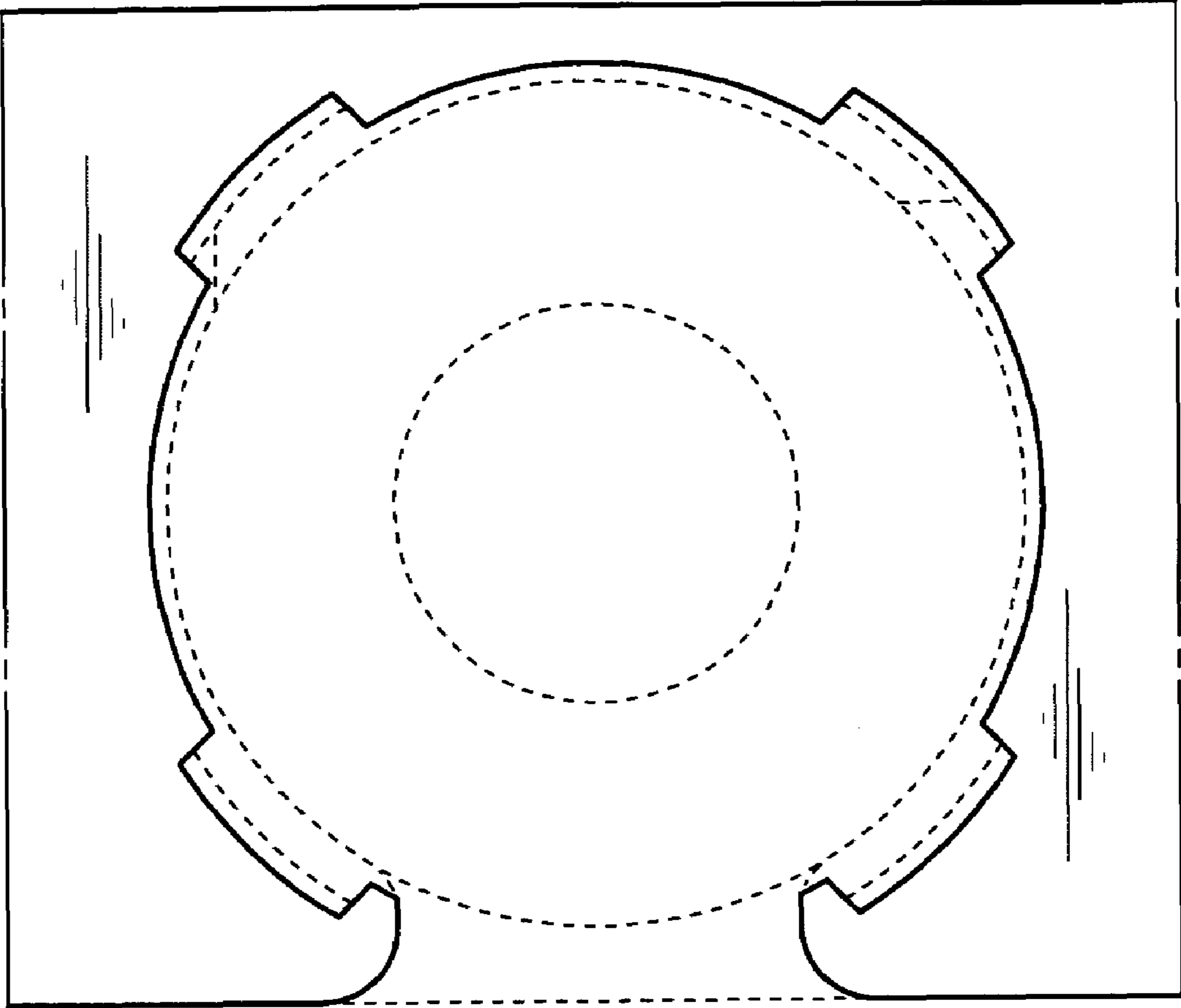


FIG. 3

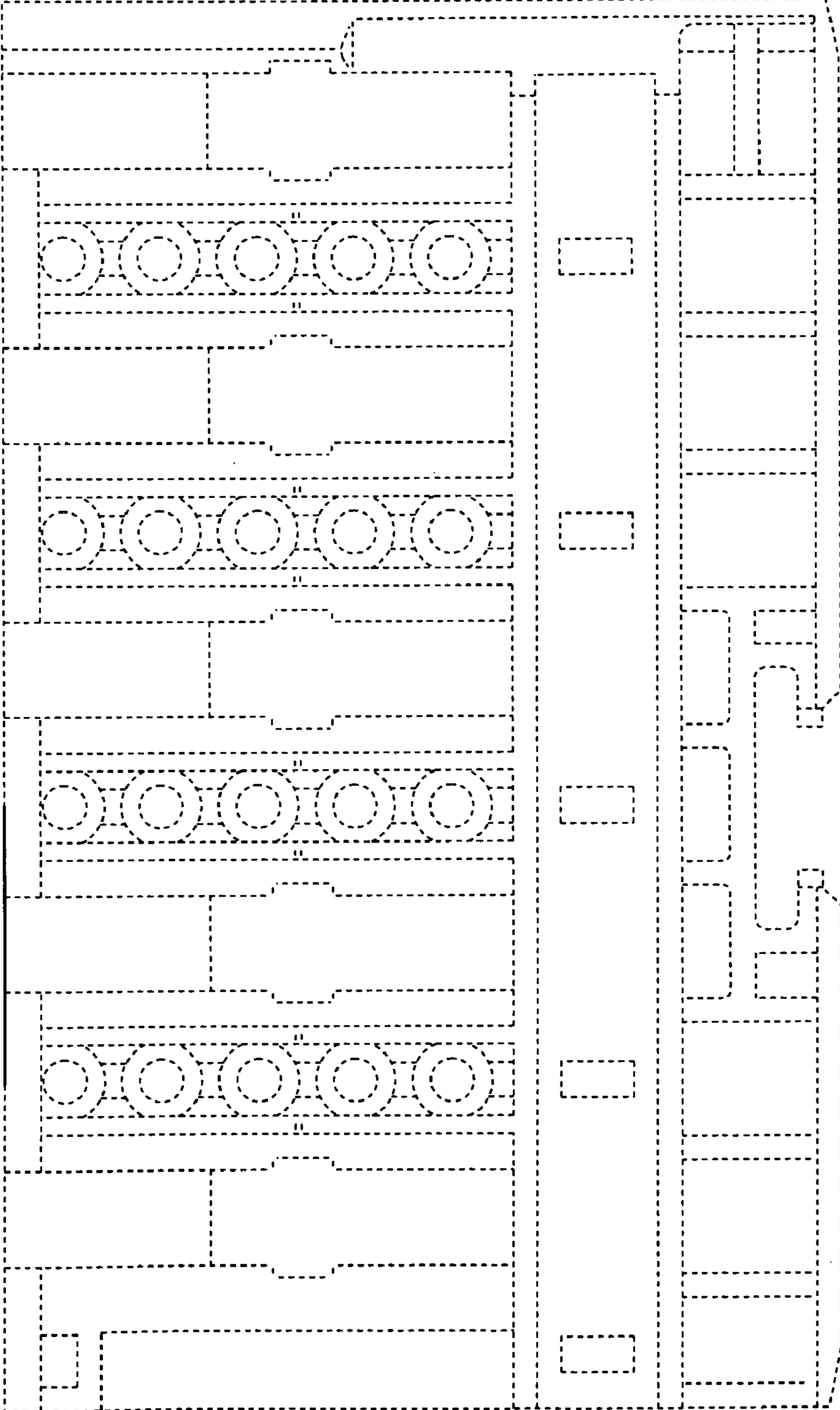


FIG. 4

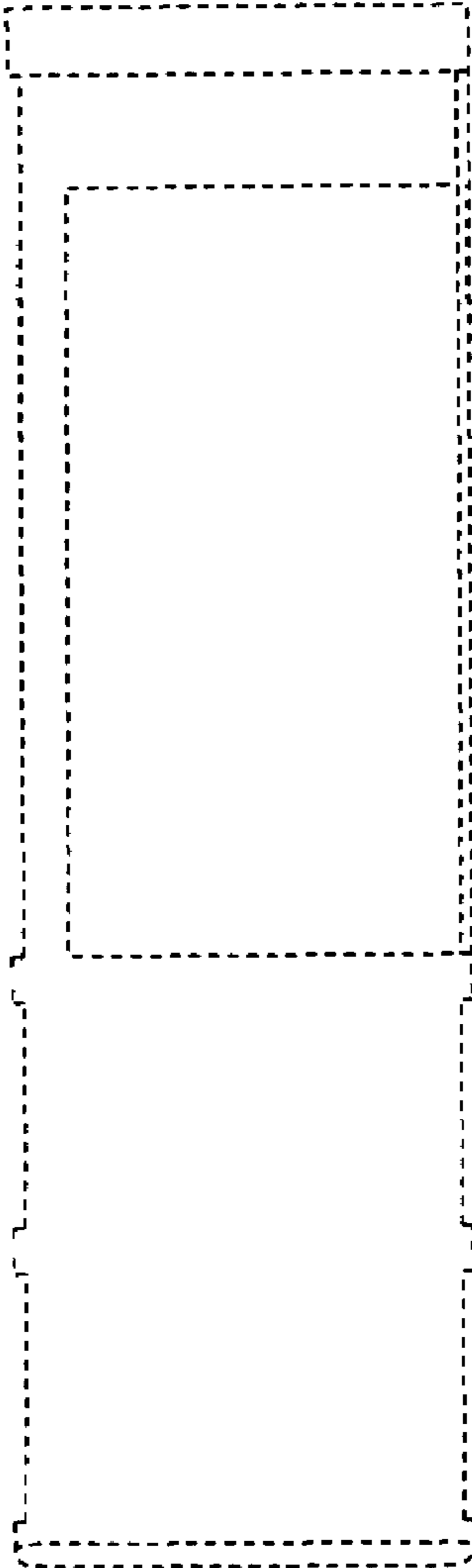


FIG. 5

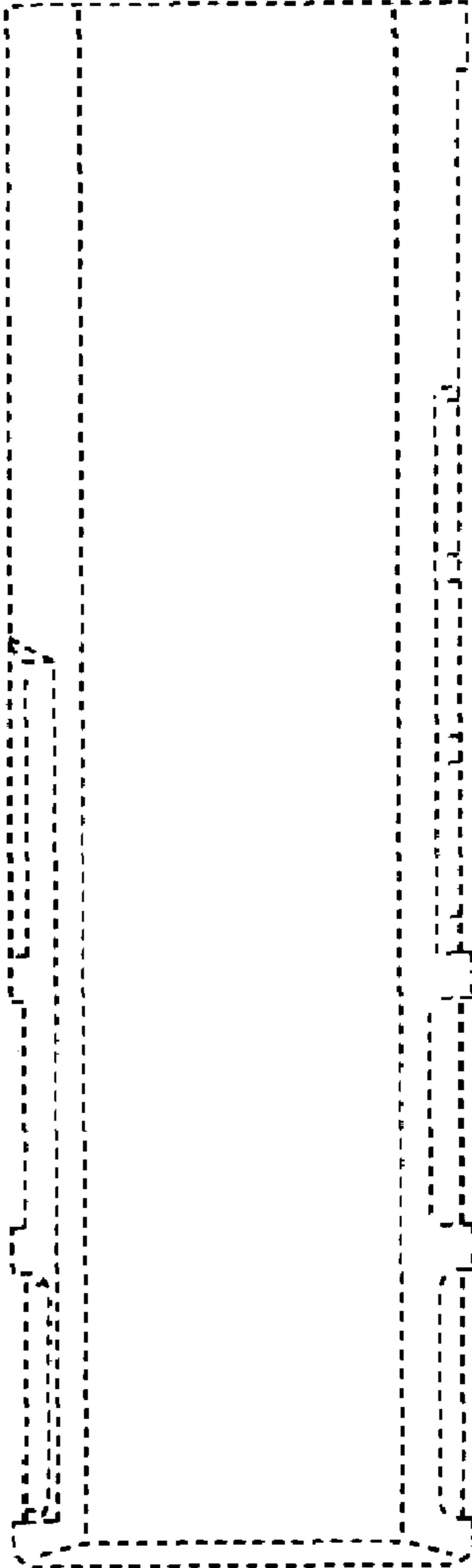


FIG. 6

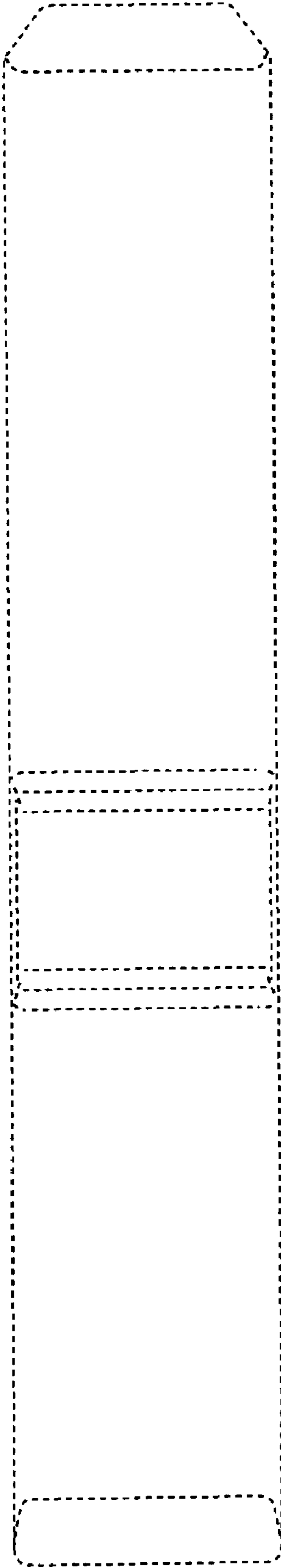


FIG. 7

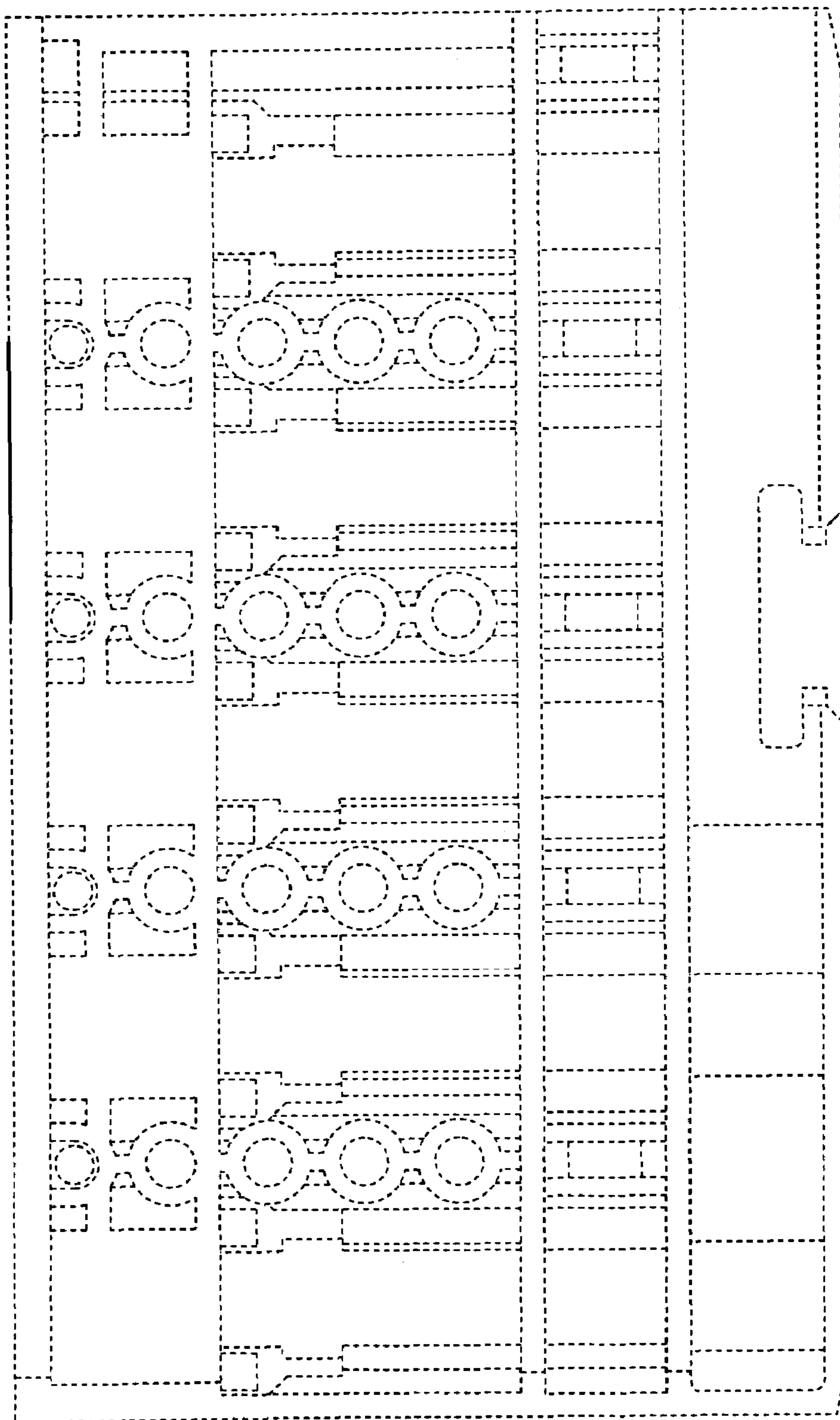


FIG. 8