



US00D603521S

(12) **United States Design Patent**  
**Lindberg et al.**

(10) **Patent No.:** **US D603,521 S**

(45) **Date of Patent:** **\*\* Nov. 3, 2009**

(54) **MODULE OF A HEART RATE BELT**

(75) Inventors: **Phillip Lindberg**, Helsinki (FI); **Kimmo Pernu**, Espoo (FI); **Timo Yliluoma**, Helsinki (FI); **Elizabeth Salonen**, Helsinki (FI); **Tapio Selby**, Tolkkinen (FI)

(73) Assignee: **Suunto Oy**, Vantaa (FI)

(\*\*) Term: **14 Years**

(21) Appl. No.: **29/313,023**

(22) Filed: **Dec. 3, 2008**

(51) **LOC (9) Cl.** ..... **24-02**

(52) **U.S. Cl.** ..... **D24/187**

(58) **Field of Classification Search** ..... D24/168,  
D24/186-187; D2/865, 881; D26/39; 600/372,  
600/382, 383, 386, 390, 544-549  
See application file for complete search history.

(56) **References Cited**

**U.S. PATENT DOCUMENTS**

D272,943	S	*	3/1984	Stone et al.	.....	D24/187
D274,262	S	*	6/1984	Heilman et al.	.....	D24/168
D344,902	S	*	3/1994	North et al.	.....	D10/78
D492,783	S	*	7/2004	Lax	.....	D24/167
D492,999	S	*	7/2004	Lax	.....	D24/167

6,928,317	B2	*	8/2005	Chen	.....	600/509
D519,636	S	*	4/2006	Okuda et al.	.....	D24/168
D559,987	S	*	1/2008	Strother et al.	.....	D24/187
D567,949	S	*	4/2008	Lash et al.	.....	D24/168

\* cited by examiner

*Primary Examiner*—T. Chase Nelson

*Assistant Examiner*—Mark Cavanna

(74) *Attorney, Agent, or Firm*—Terence P. O'Brien

(57) **CLAIM**

We claim the ornamental design for a module of a heart rate belt, as shown and described.

**DESCRIPTION**

FIG. 1 is a top, rear perspective view of a module of a heart rate belt showing our new design;

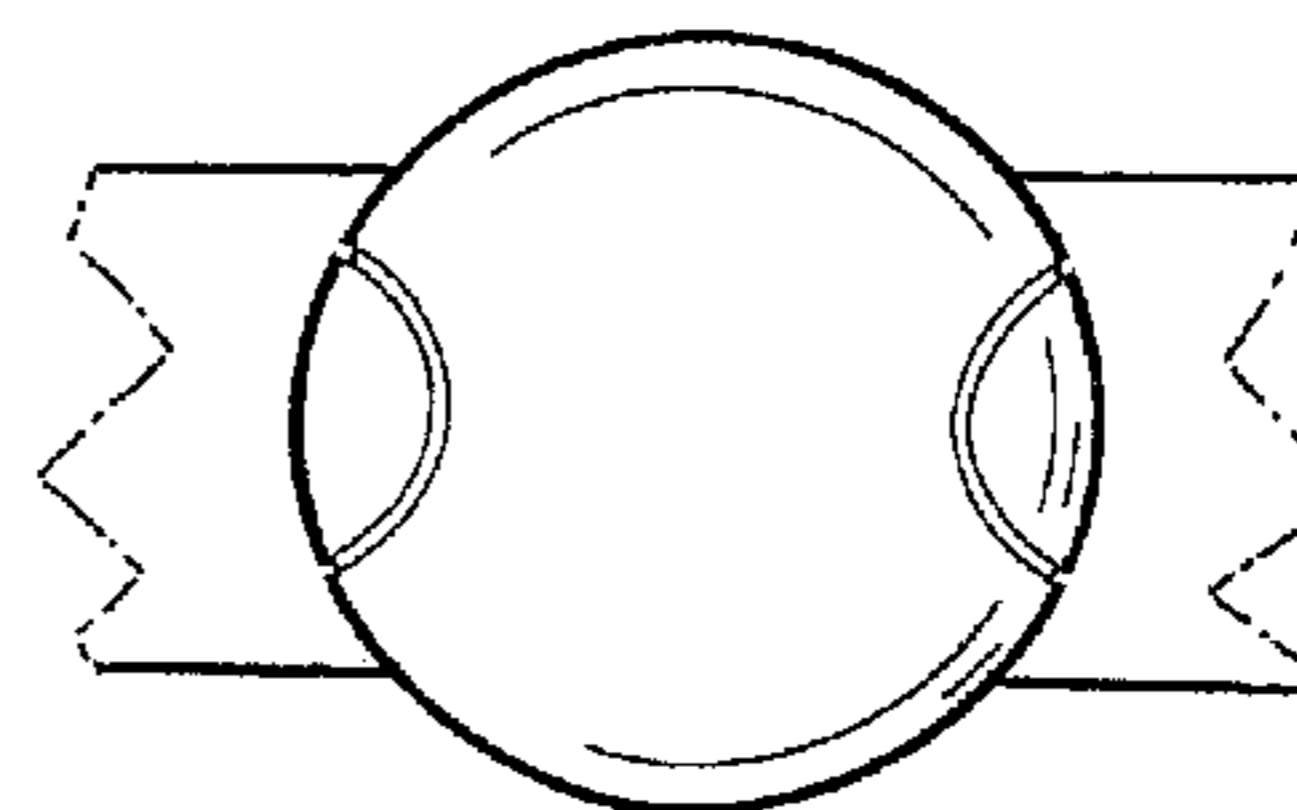
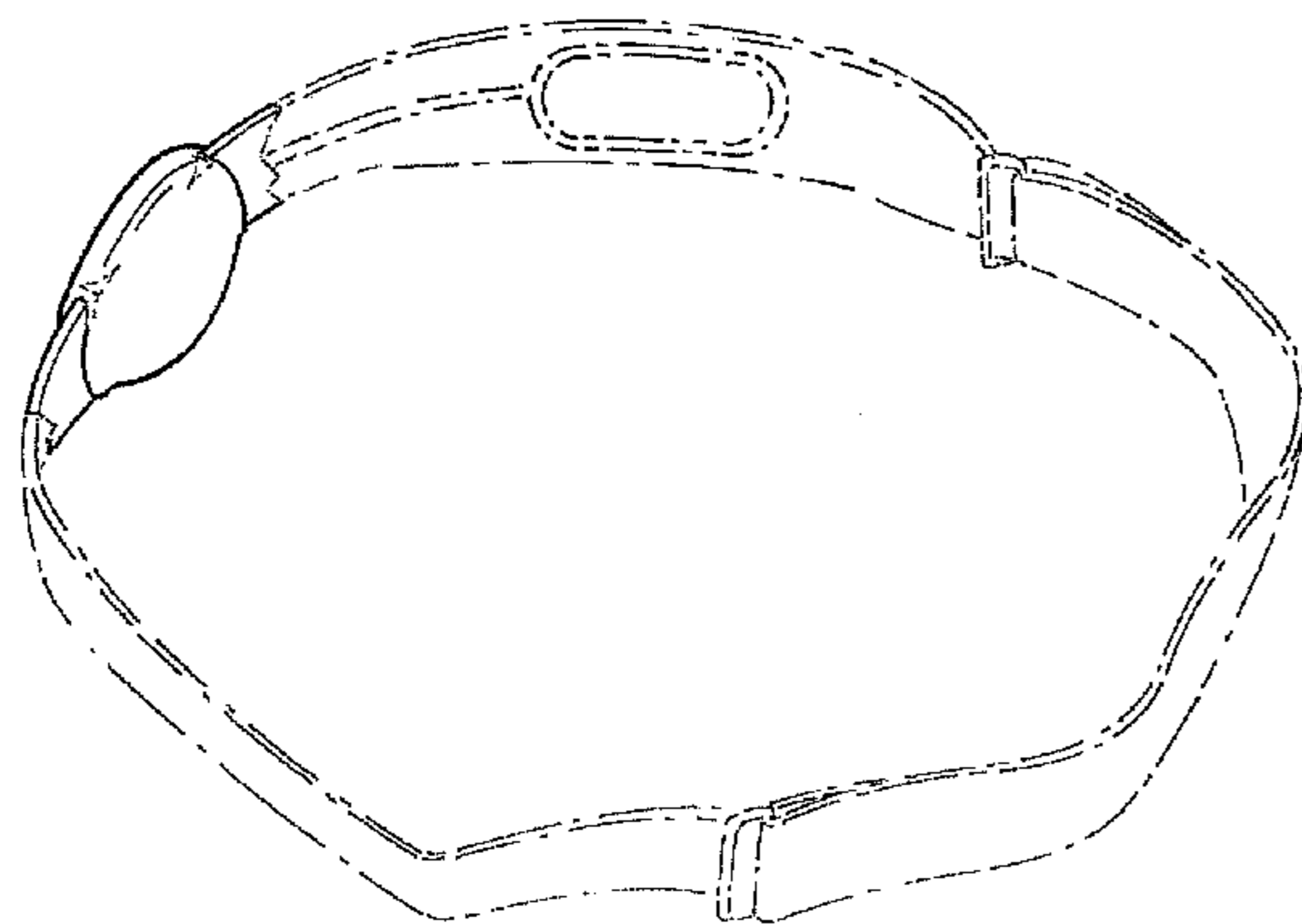
FIG. 2 is an enlarged front, top perspective view of the module of FIG. 1;

FIG. 3 is an enlarged top view thereof; and,

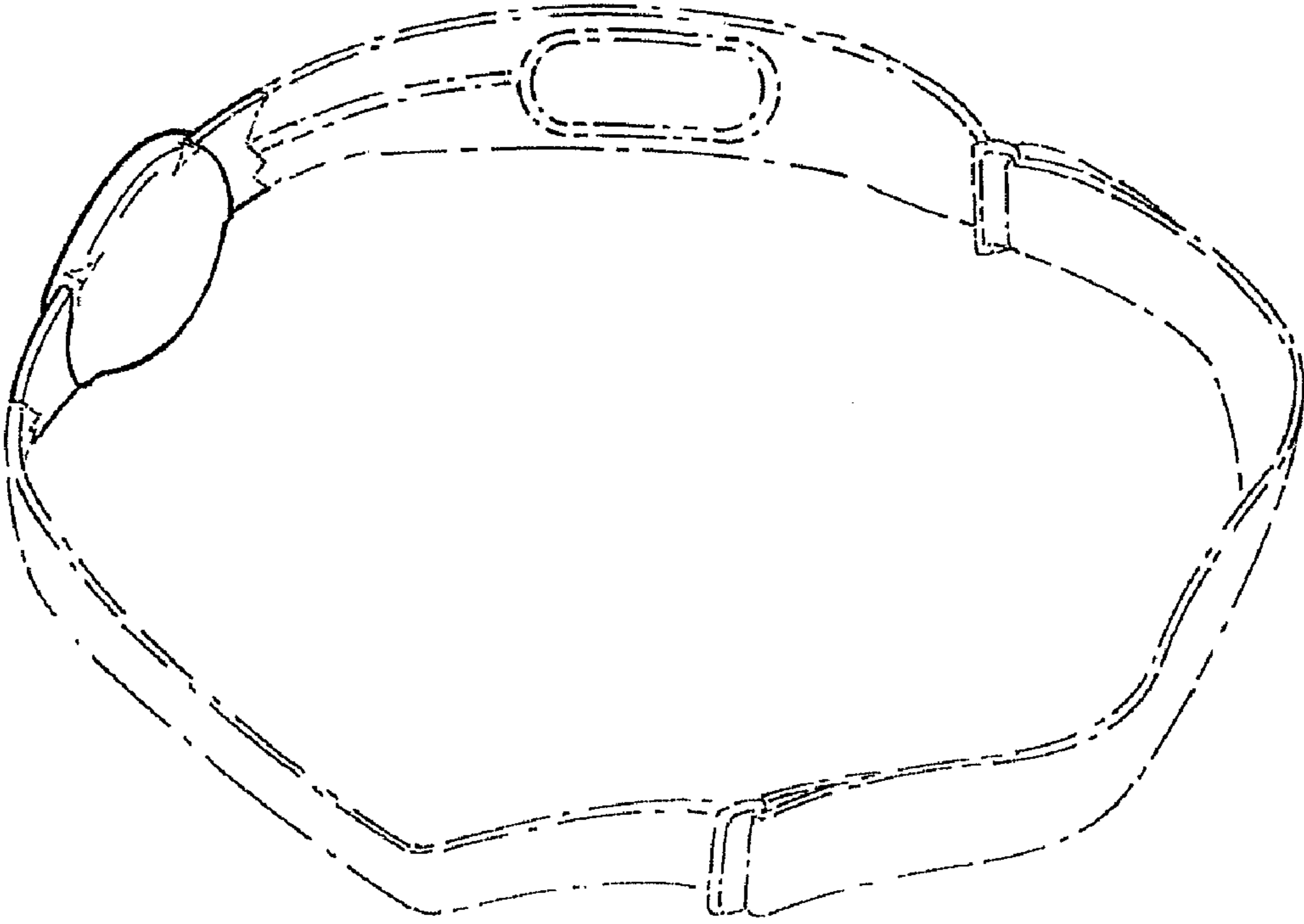
FIG. 4 is an enlarged front view thereof.

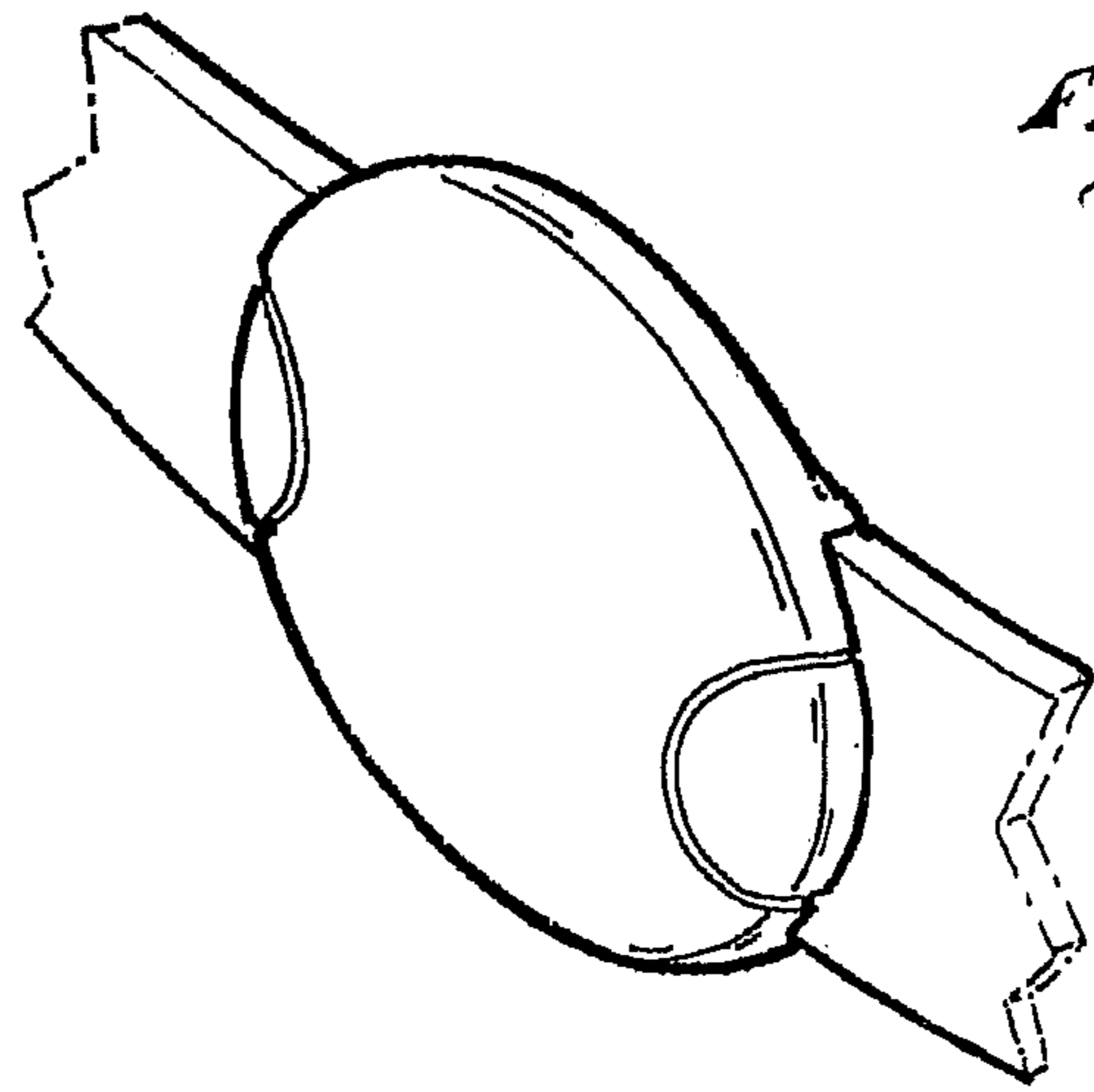
The ornamental design that is claimed is shown in solid lines in the drawings. The broken lines in FIGS. 1-4 are included for the purpose of illustrating portions of the module of a heart rate belt that forms no part of the claimed design.

**1 Claim, 2 Drawing Sheets**

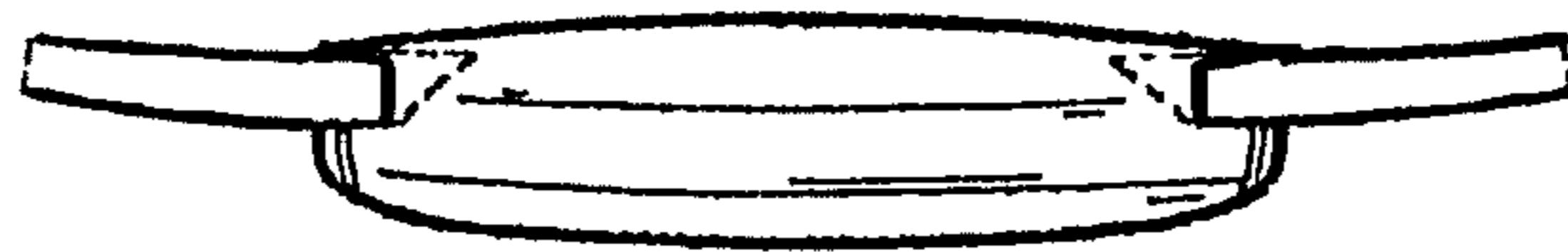


*Fig. 1*

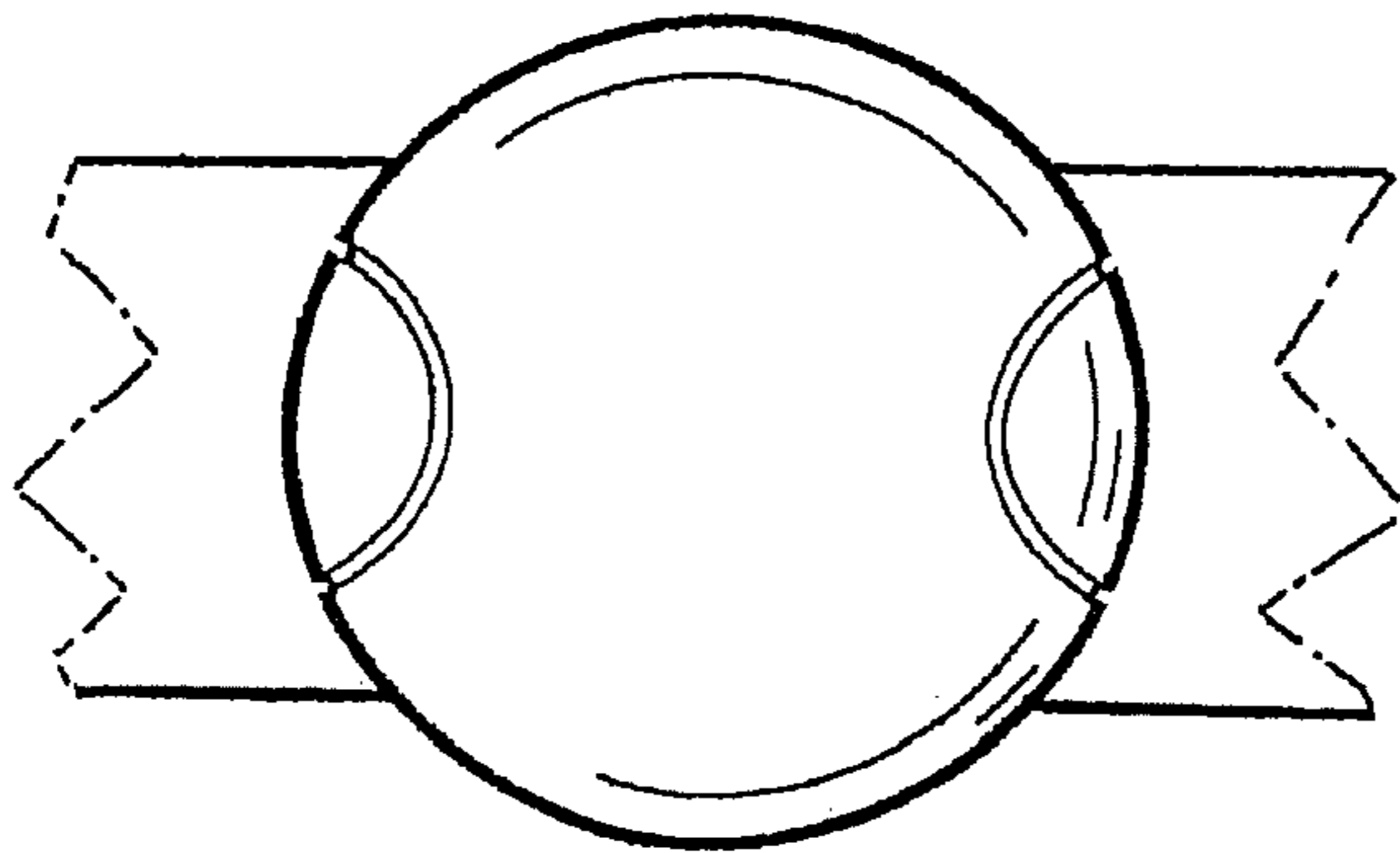




*Fig: 2*



*Fig: 3*



*Fig: 4*