



US00D603516S

(12) **United States Design Patent**
Mori et al.

(10) **Patent No.:** **US D603,516 S**

(45) **Date of Patent:** **** Nov. 3, 2009**

(54) **EARPHONE WITH MICROPHONE FOR HEARING AID**

(75) Inventors: **Masakazu Mori**, Ehime (JP); **Koya Kurokawa**, Ehime (JP)

(73) Assignee: **Panasonic Corporation**, Osaka (JP)

(**) Term: **14 Years**

(21) Appl. No.: **29/331,102**

(22) Filed: **Jan. 20, 2009**

(30) **Foreign Application Priority Data**

Aug. 1, 2008 (JP) 2008-019913

(51) **LOC (9) Cl.** **24-99**

(52) **U.S. Cl.** **D24/174**

(58) **Field of Classification Search** D24/173-175, D24/182, 106; D14/205, 223, 224, 249; 381/23.1, 312, 322, 323, 324, 328, 329, 330, 381/380, 381; 181/129, 130, 134, 135, 137

See application file for complete search history.

(56) **References Cited**

U.S. PATENT DOCUMENTS

D260,774 S	9/1981	Brown	
D274,839 S	7/1984	Libby	
D294,862 S	3/1988	Diefenbach	
D322,126 S	12/1991	van Mourik	
D322,481 S	12/1991	van Mourik	
D421,755 S *	3/2000	Pitel	D14/240
D497,000 S	10/2004	Narisawa et al.	
D497,001 S	10/2004	Narisawa et al.	
D497,613 S *	10/2004	Gwee	D14/223
D506,258 S	6/2005	Nielsen	
D506,994 S *	7/2005	Olson et al.	D14/223
D510,085 S *	9/2005	Suzuki	D14/223
D516,216 S *	2/2006	Portmann	D24/174

D532,111 S	11/2006	Espersen	
D532,520 S *	11/2006	Kampmeier et al.	D24/174
D541,420 S	4/2007	Darbut et al.	
D573,137 S *	7/2008	Polito	D14/223
D575,772 S *	8/2008	Schultz et al.	D14/223
D591,274 S *	4/2009	Khubani	D14/223
D595,273 S *	6/2009	Kim et al.	D14/223

FOREIGN PATENT DOCUMENTS

JP	D1012316	6/1998
JP	D1085275	9/2000
JP	D1085275/1	9/2000
JP	D1191478	12/2003
JP	D1193576	1/2004
JP	D1193577	1/2004
JP	D1323110	3/2008

* cited by examiner

Primary Examiner—T. Chase Nelson

Assistant Examiner—Anhdao Doan

(74) *Attorney, Agent, or Firm*—Brinks Hofer Gilson & Lione

(57) **CLAIM**

We claim the ornamental design for an earphone with microphone for hearing aid, as shown and described.

DESCRIPTION

FIG. 1 is a front perspective view of an earphone with microphone for hearing aid of the present invention;

FIG. 2 is a front view thereof;

FIG. 3 is a rear view thereof;

FIG. 4 is a first side view thereof;

FIG. 5 is a second side view thereof;

FIG. 6 is a top view thereof; and,

FIG. 7 is a bottom view thereof.

1 Claim, 7 Drawing Sheets

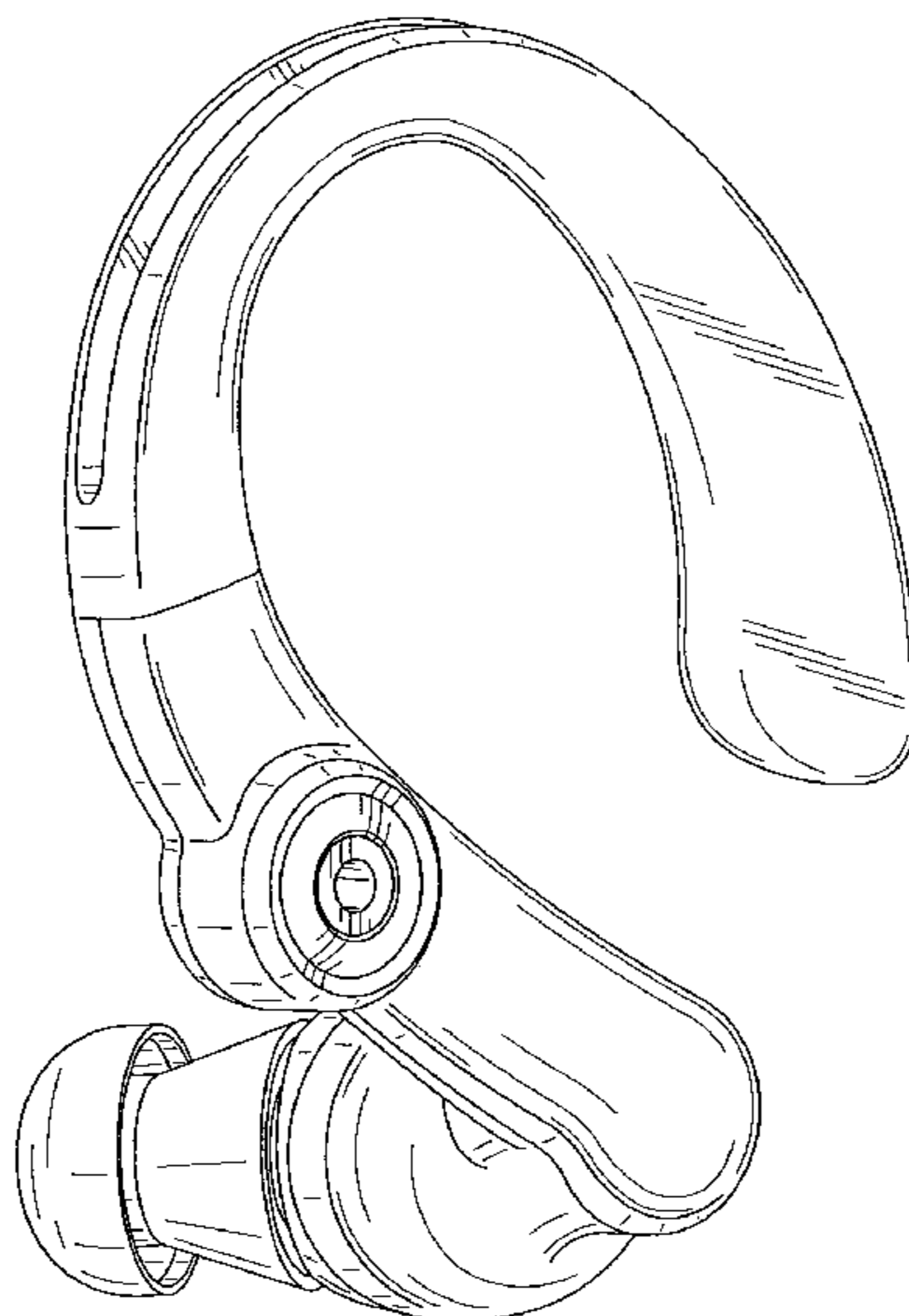


FIG. 1

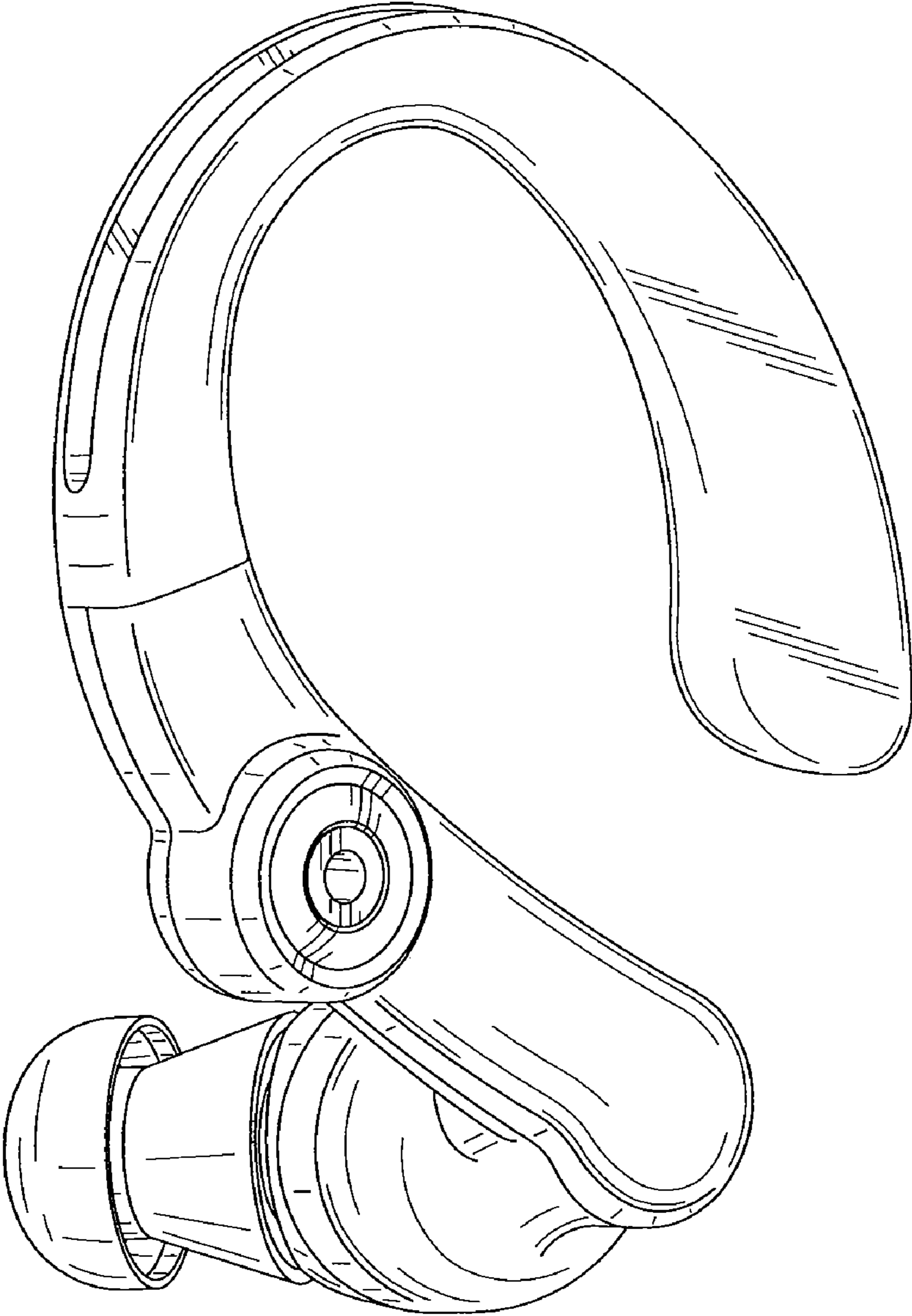


FIG. 2

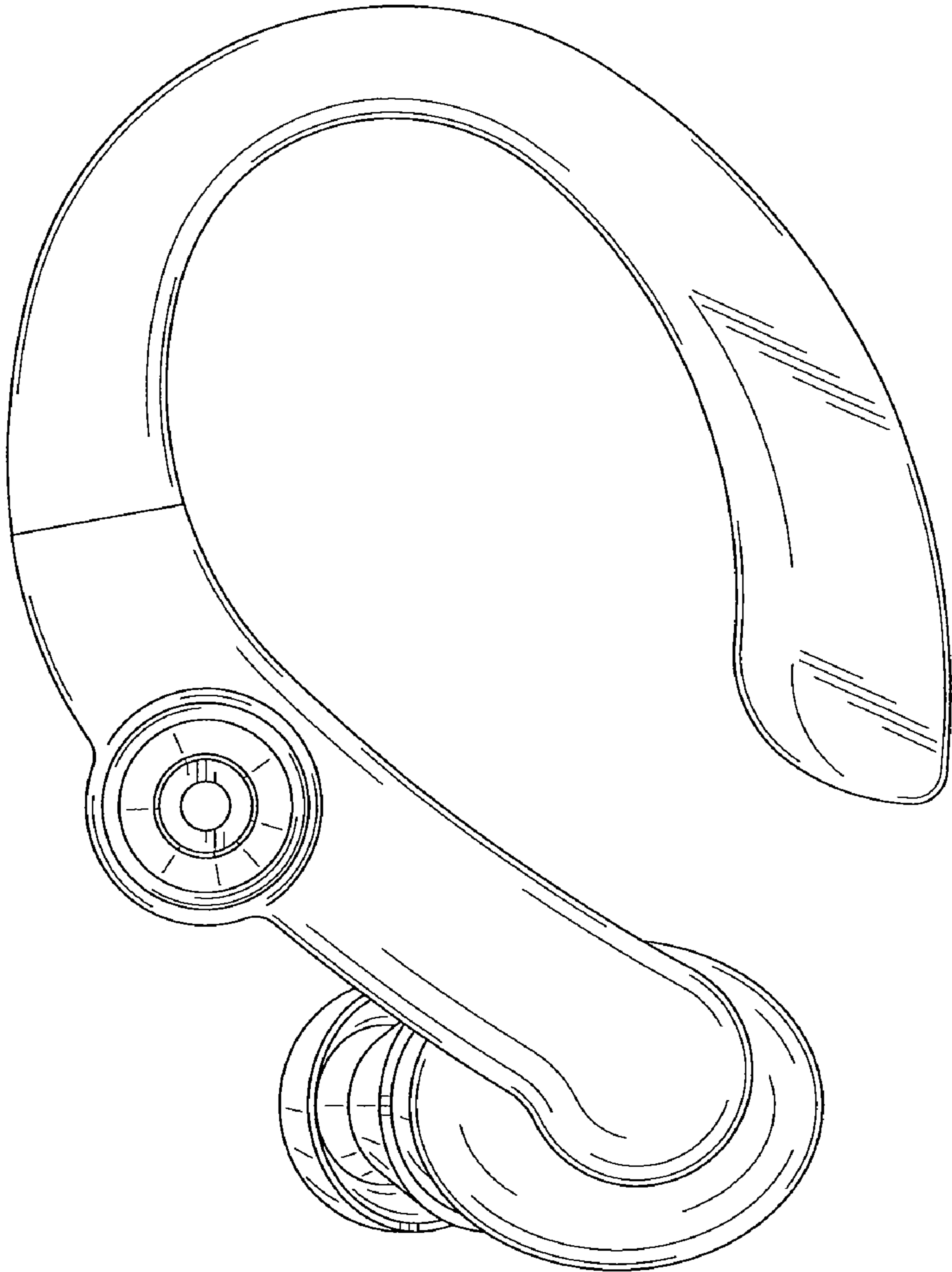


FIG. 3

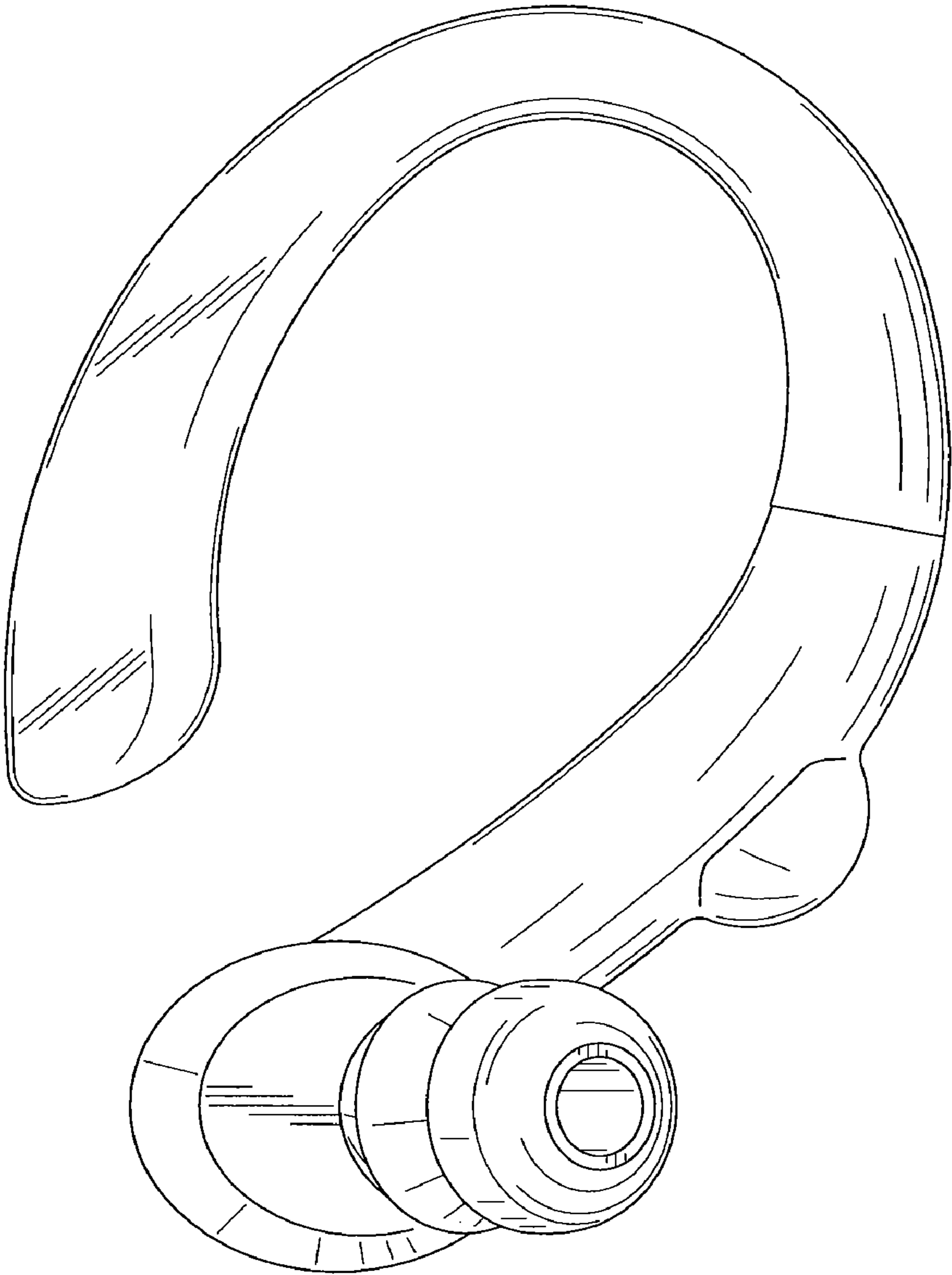


FIG. 4

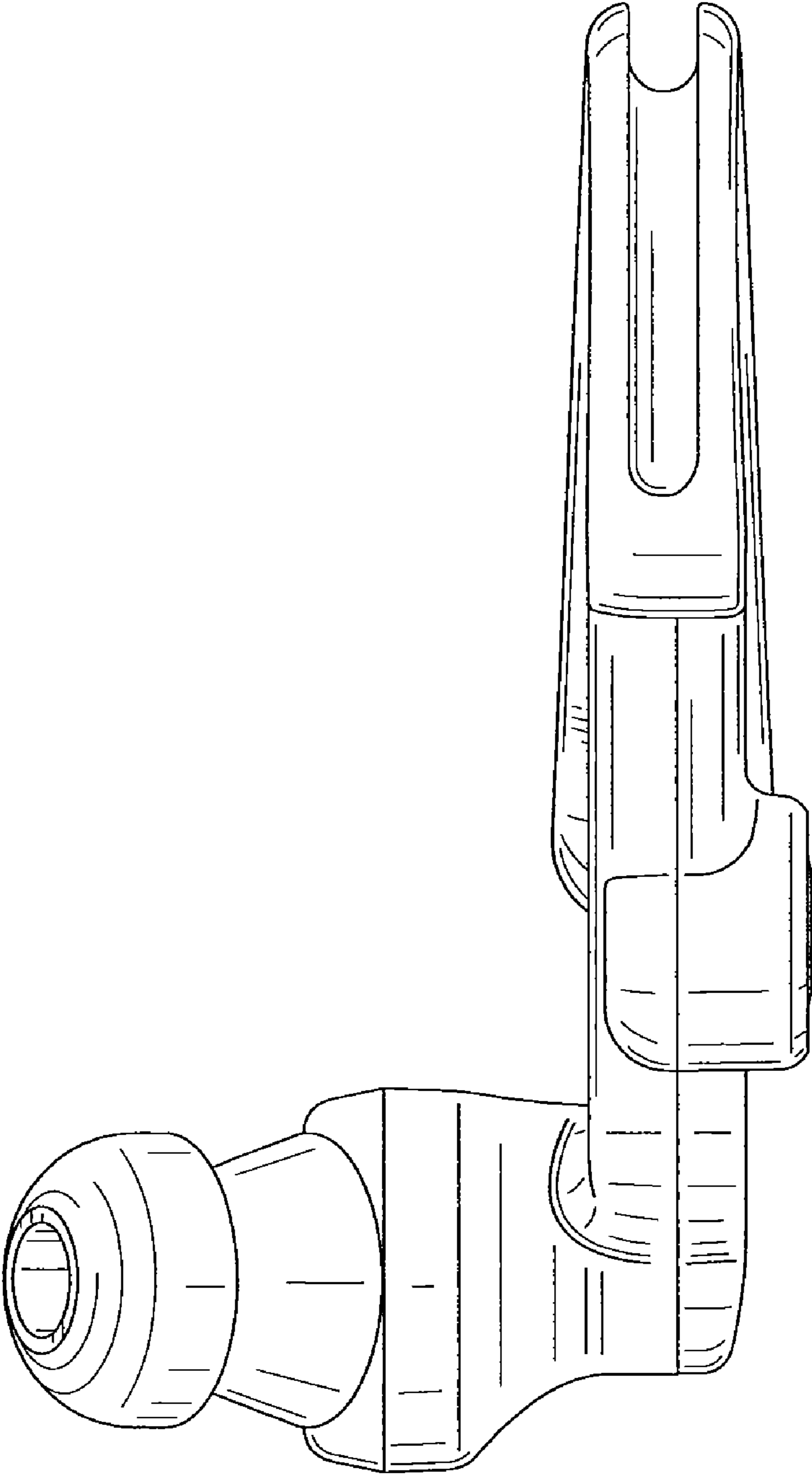


FIG. 5

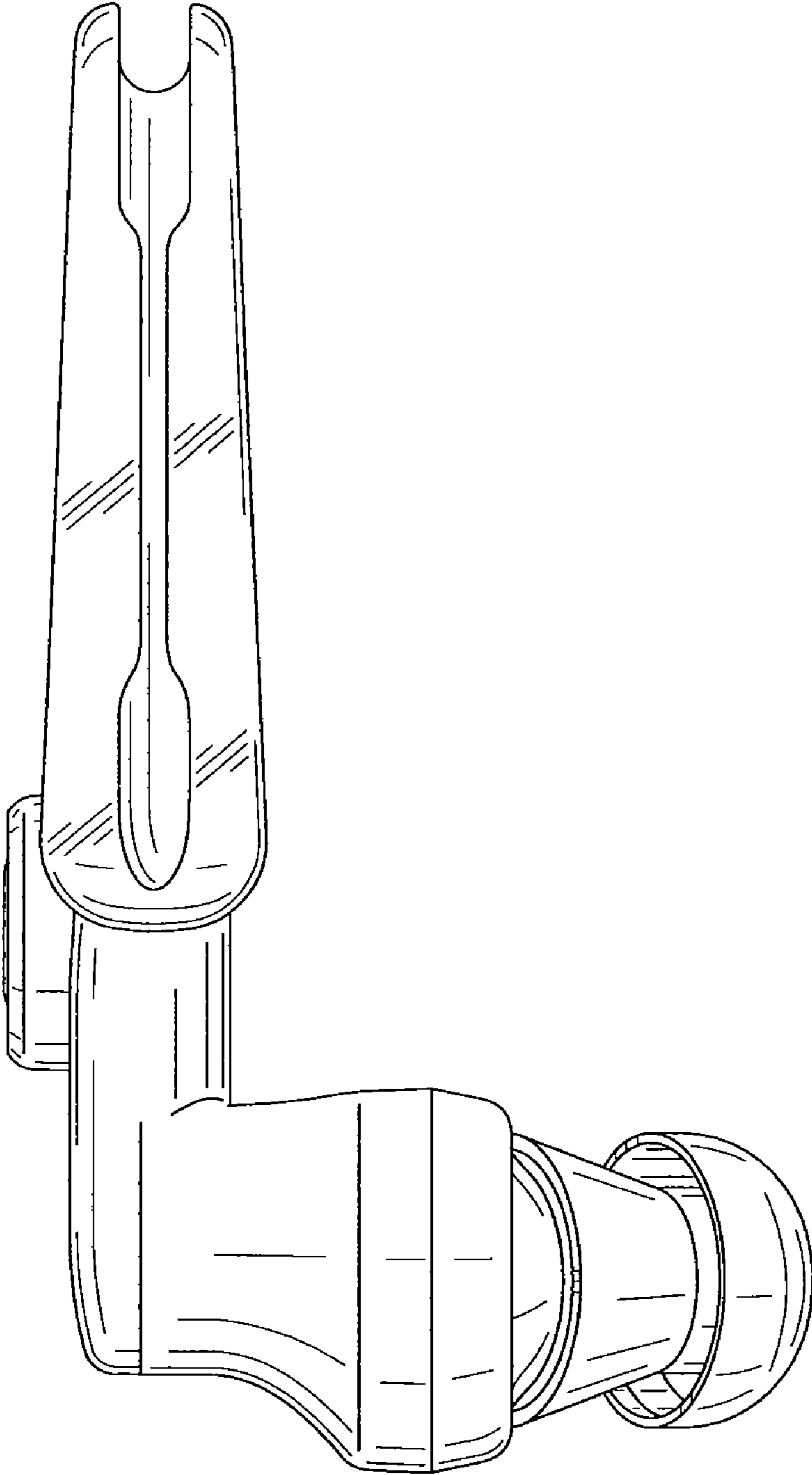


FIG. 6

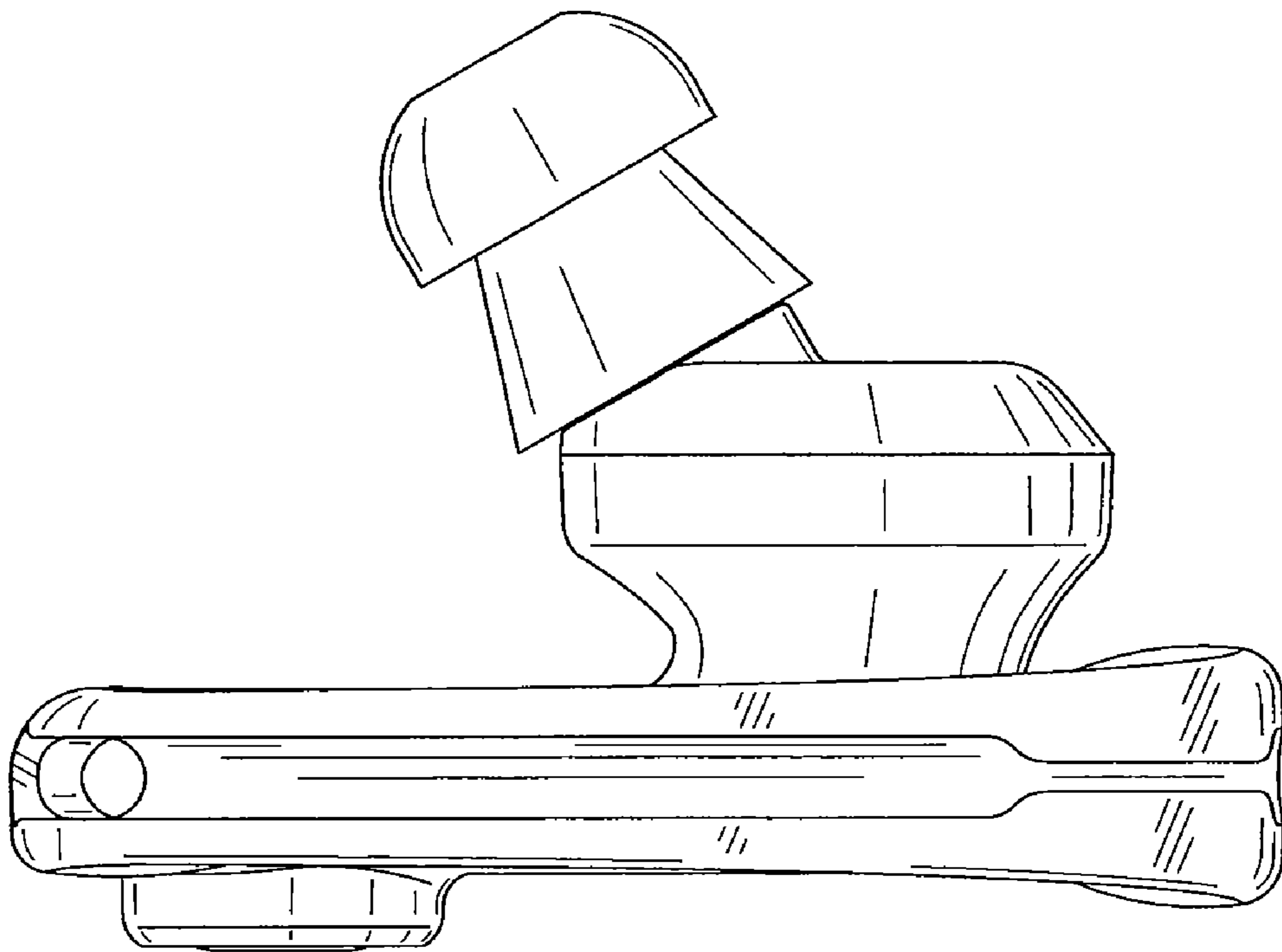


FIG. 7

