

US00D603514S

(12) **United States Design Patent**  
**Emanuelli**

(10) **Patent No.:** **US D603,514 S**  
(45) **Date of Patent:** **\*\* Nov. 3, 2009**

(54) **DENTAL IMPLANT**

(76) Inventor: **Silvio Franco Emanuelli**, Via Privata  
Ameglio, 8, Sanremo (IT) 18038

(\*\*) Term: **14 Years**

(21) Appl. No.: **29/329,794**

(22) Filed: **Dec. 22, 2008**

(30) **Foreign Application Priority Data**

Jul. 9, 2008 (IT) ..... 000973250

(51) **LOC (9) Cl.** ..... **24-03**

(52) **U.S. Cl.** ..... **D24/156**

(58) **Field of Classification Search** ..... D24/155,  
D24/156, 180, 176; D8/387, 176; 433/173,  
433/176; 606/304, 74, 72

See application file for complete search history.

(56) **References Cited**

**U.S. PATENT DOCUMENTS**

D356,868	S *	3/1995	Broberg et al. ....	D24/156
5,725,581	A *	3/1998	Brånemark ..... 606/304	
6,095,817	A *	8/2000	Wagner et al. ....	433/173
6,217,333	B1 *	4/2001	Ercoli ..... 433/173	
6,220,860	B1 *	4/2001	Hansson ..... 433/173	
6,261,097	B1 *	7/2001	Schmutz et al. ....	433/173
6,458,134	B1 *	10/2002	Songer et al. ....	606/304
6,517,543	B1 *	2/2003	Berrevoets et al. ....	606/304
6,619,958	B2 *	9/2003	Beaty et al. ....	433/173

6,644,969	B2 *	11/2003	Kumar ..... 433/173
6,758,672	B2 *	7/2004	Porter et al. .... 433/173
D503,803	S *	4/2005	Shalaby et al. .... D24/156
D565,181	S *	3/2008	Anitua Aldecoa ..... D24/156
D577,122	S *	9/2008	Aldecoa ..... D24/156
7,425,131	B2 *	9/2008	Amber et al. .... 433/173
D583,945	S *	12/2008	Anitua Aldecoa ..... D24/156
D588,699	S *	3/2009	Aldecoa ..... D24/156
D588,700	S *	3/2009	Anitua Aldecoa ..... D24/156

\* cited by examiner

*Primary Examiner*—Charles A Rademaker

(74) *Attorney, Agent, or Firm*—Woodcock Washburn LLP

(57) **CLAIM**

I claim the ornamental design for a dental implant, as shown and described.

**DESCRIPTION**

FIG. 1 is a perspective view of a dental implant showing my new design;

FIG. 2 is a front view thereof.

FIG. 3 is a left side view thereof.

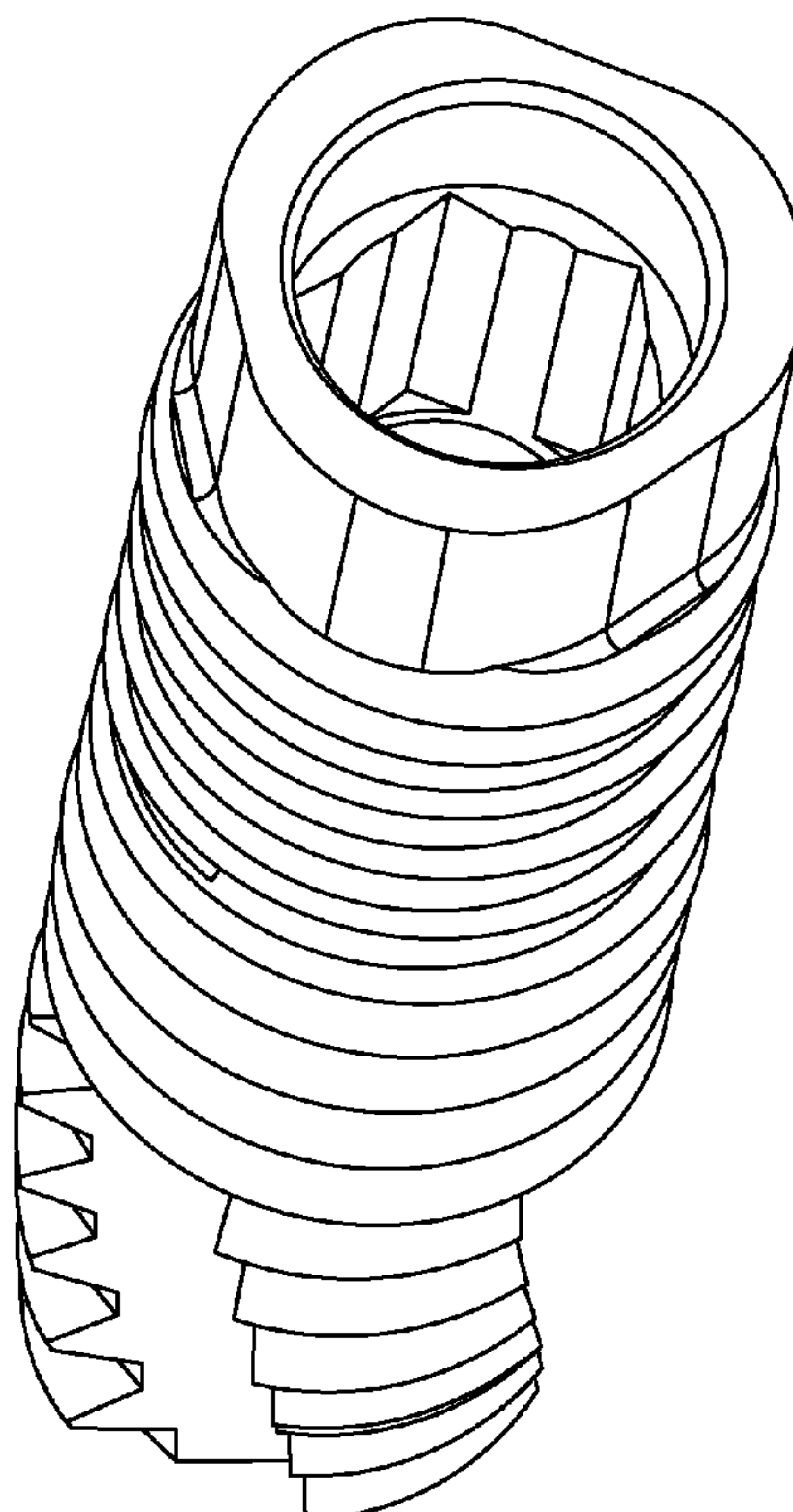
FIG. 4 is a right side view thereof.

FIG. 5 is a rear view thereof.

FIG. 6 is a top view thereof; and,

FIG. 7 is a bottom view thereof.

**1 Claim, 7 Drawing Sheets**



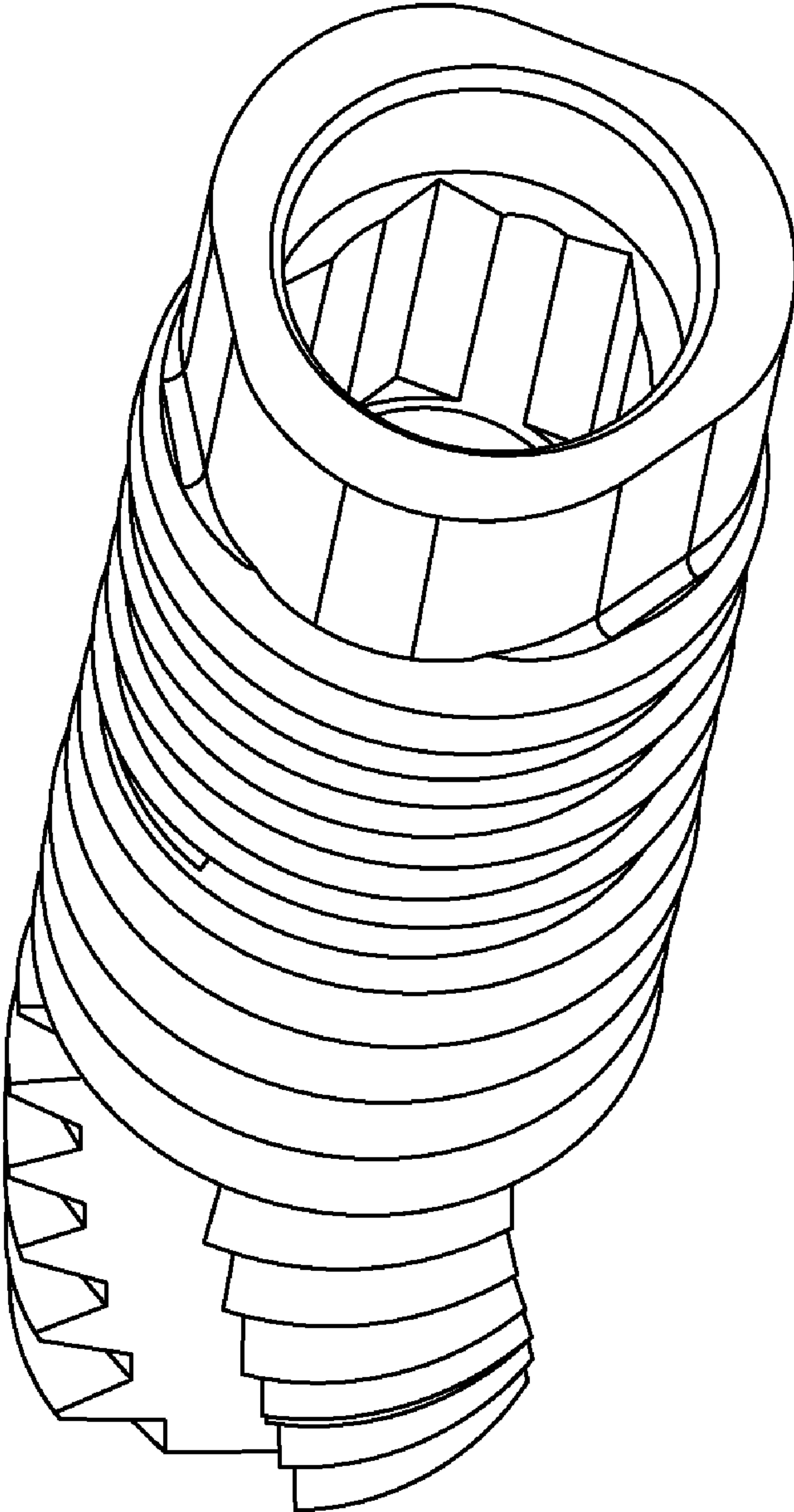


FIG. 1

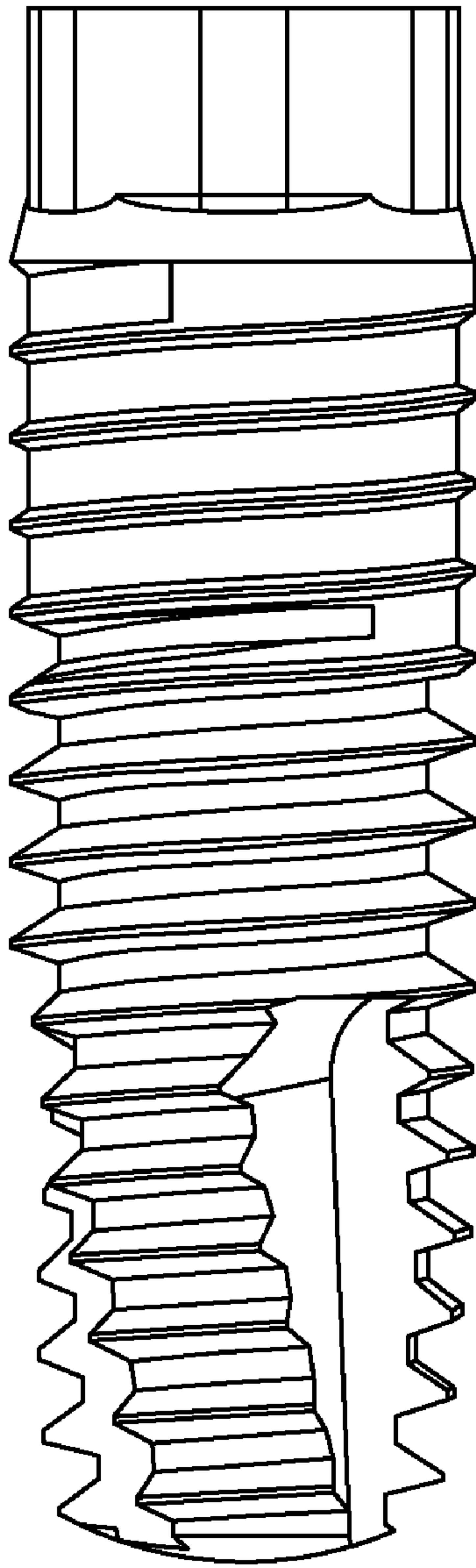


FIG. 2

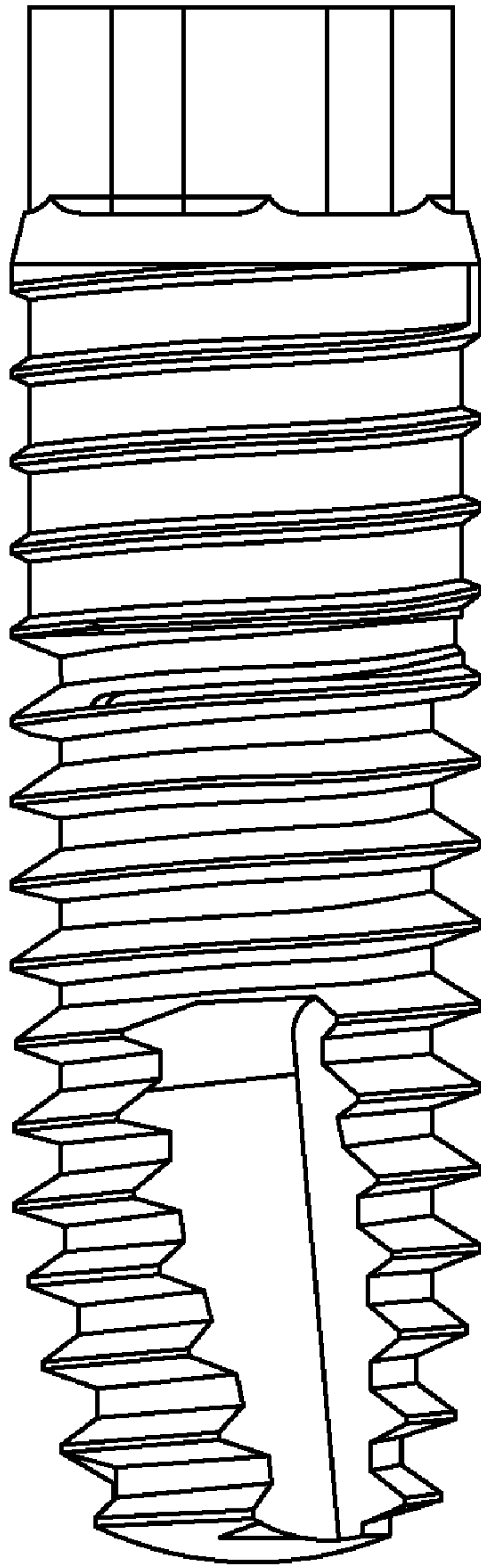


FIG. 3

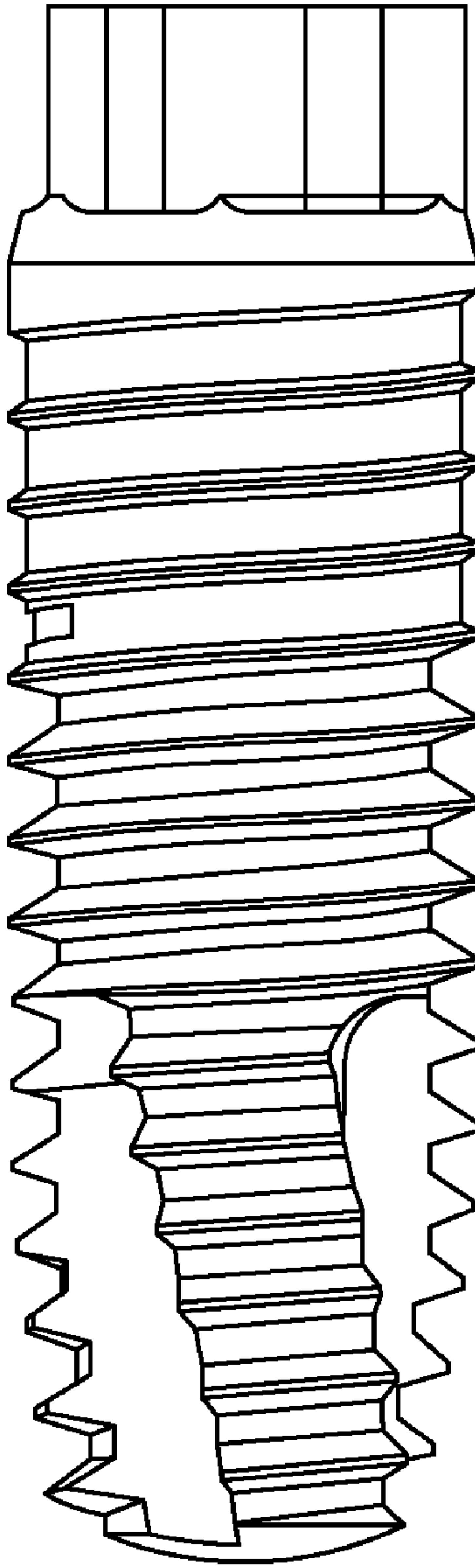


FIG. 4

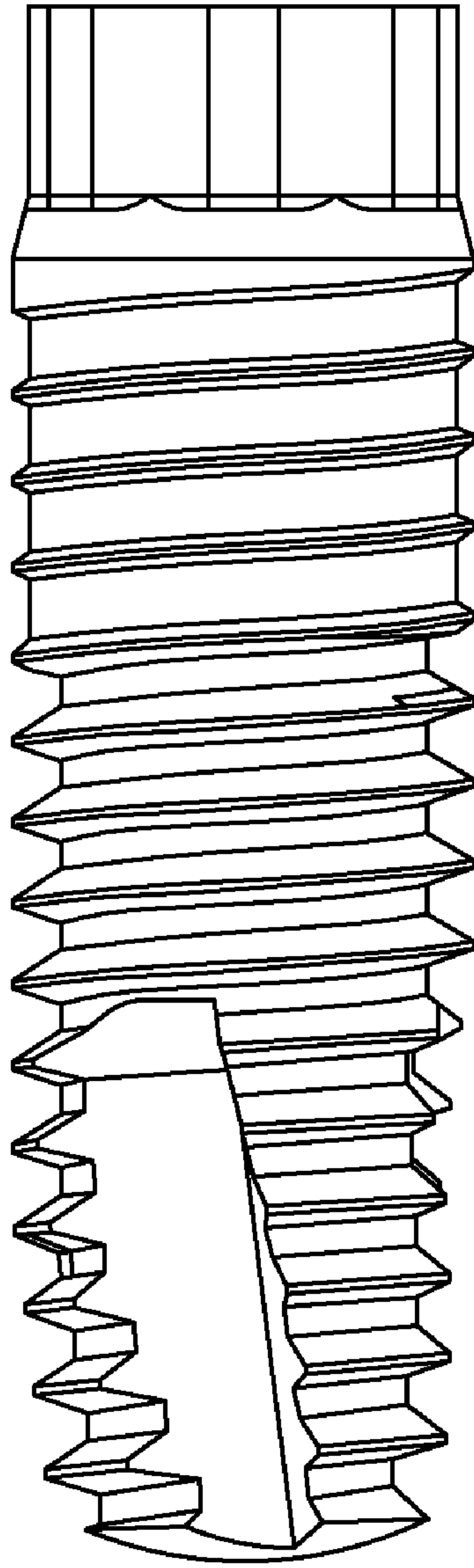


FIG. 5

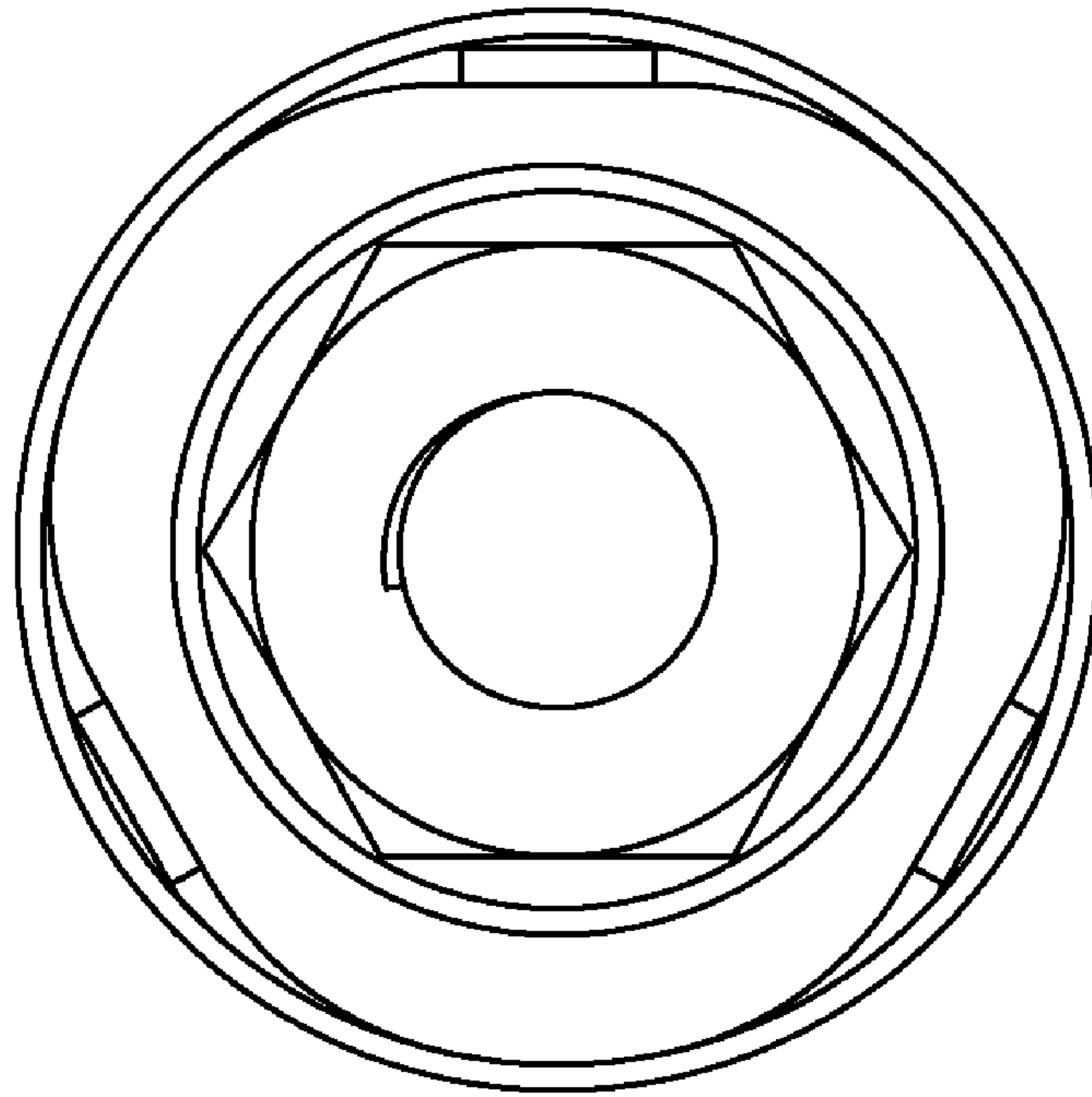


FIG. 6



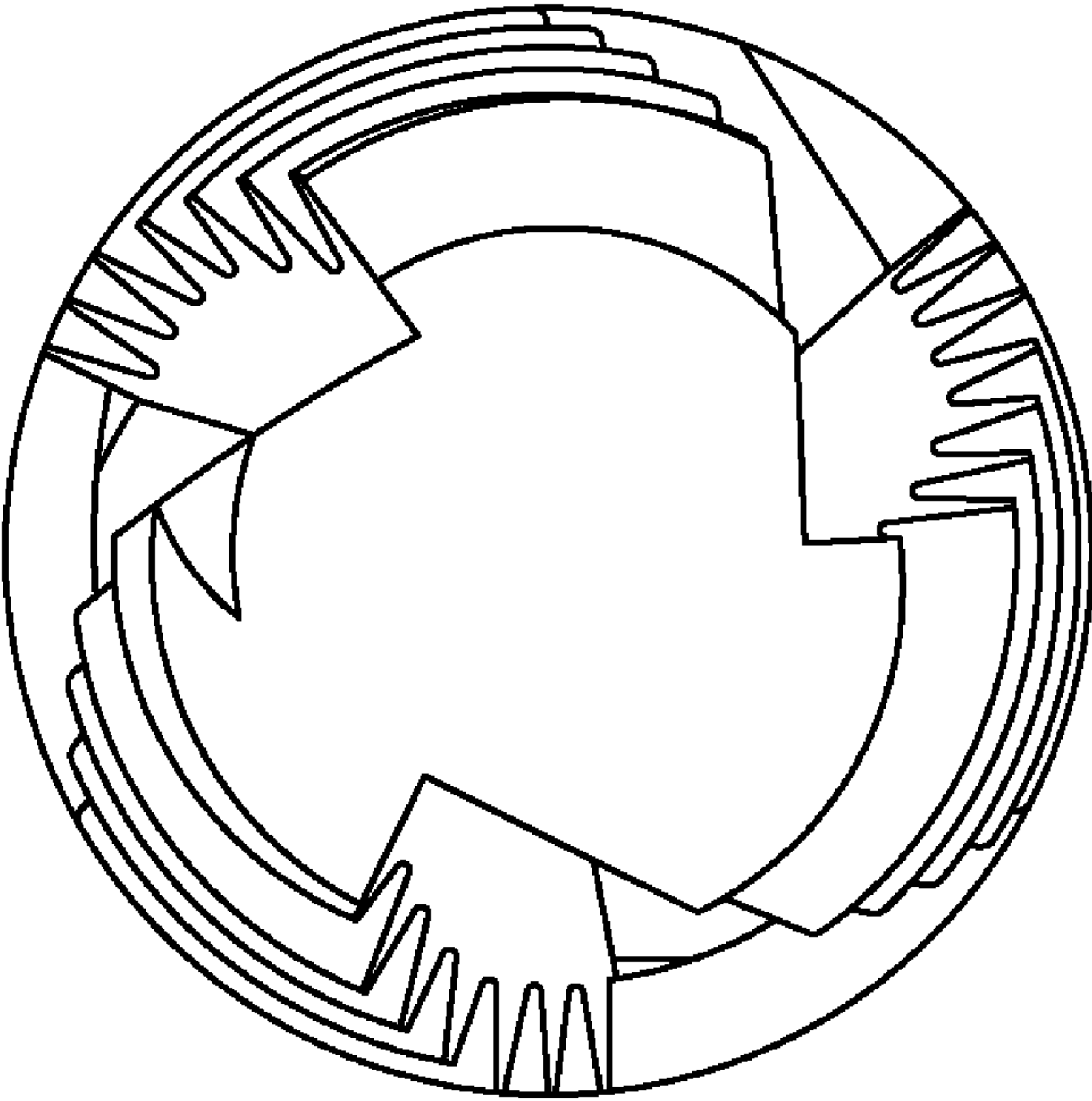


FIG. 7