



US00D603512S

(12) **United States Design Patent**  
**Emanuelli**

(10) **Patent No.:** **US D603,512 S**

(45) **Date of Patent:** **\*\* Nov. 3, 2009**

(54) **DENTAL IMPLANT**

(76) **Inventor:** **Silvio Franco Emanuelli**, Via Privata  
Ameglio, 8, Sanremo (IM) (IT) 18038

(\*\*) **Term:** **14 Years**

(21) **Appl. No.:** **29/329,791**

(22) **Filed:** **Dec. 22, 2008**

(30) **Foreign Application Priority Data**

Jul. 9, 2008 (IT) ..... 000973250

(51) **LOC (9) Cl.** ..... **24-03**

(52) **U.S. Cl.** ..... **D24/156**

(58) **Field of Classification Search** ..... D24/155,  
D24/156, 180, 176; D8/387, 176; 433/173,  
433/176; 606/304, 74, 72

See application file for complete search history.

(56) **References Cited**

**U.S. PATENT DOCUMENTS**

D248,014 S \* 5/1978 DeCaro ..... D8/387  
D296,362 S \* 6/1988 Branemark ..... D24/156  
6,619,958 B2 \* 9/2003 Beaty et al. .... 433/173  
6,644,969 B2 \* 11/2003 Kumar ..... 433/173  
D482,957 S \* 12/2003 Lajeunesse et al. .... D8/387

D503,803 S \* 4/2005 Shalaby et al. .... D24/156  
D552,977 S \* 10/2007 He et al. .... D8/387  
D565,181 S \* 3/2008 Anitua Aldecoa ..... D24/156  
D577,122 S \* 9/2008 Aldecoa ..... D24/156  
D583,945 S \* 12/2008 Anitua Aldecoa ..... D24/156  
D588,700 S \* 3/2009 Anitua Aldecoa ..... D24/156

\* cited by examiner

*Primary Examiner*—Charles A Rademaker

(74) *Attorney, Agent, or Firm*—Woodcock Washburn LLP

(57) **CLAIM**

I claim the ornamental design for a dental implant, as shown and described.

**DESCRIPTION**

FIG. 1 is a perspective view of a dental implant showing my new design;

FIG. 2 is a front view thereof.

FIG. 3 is a left side view thereof.

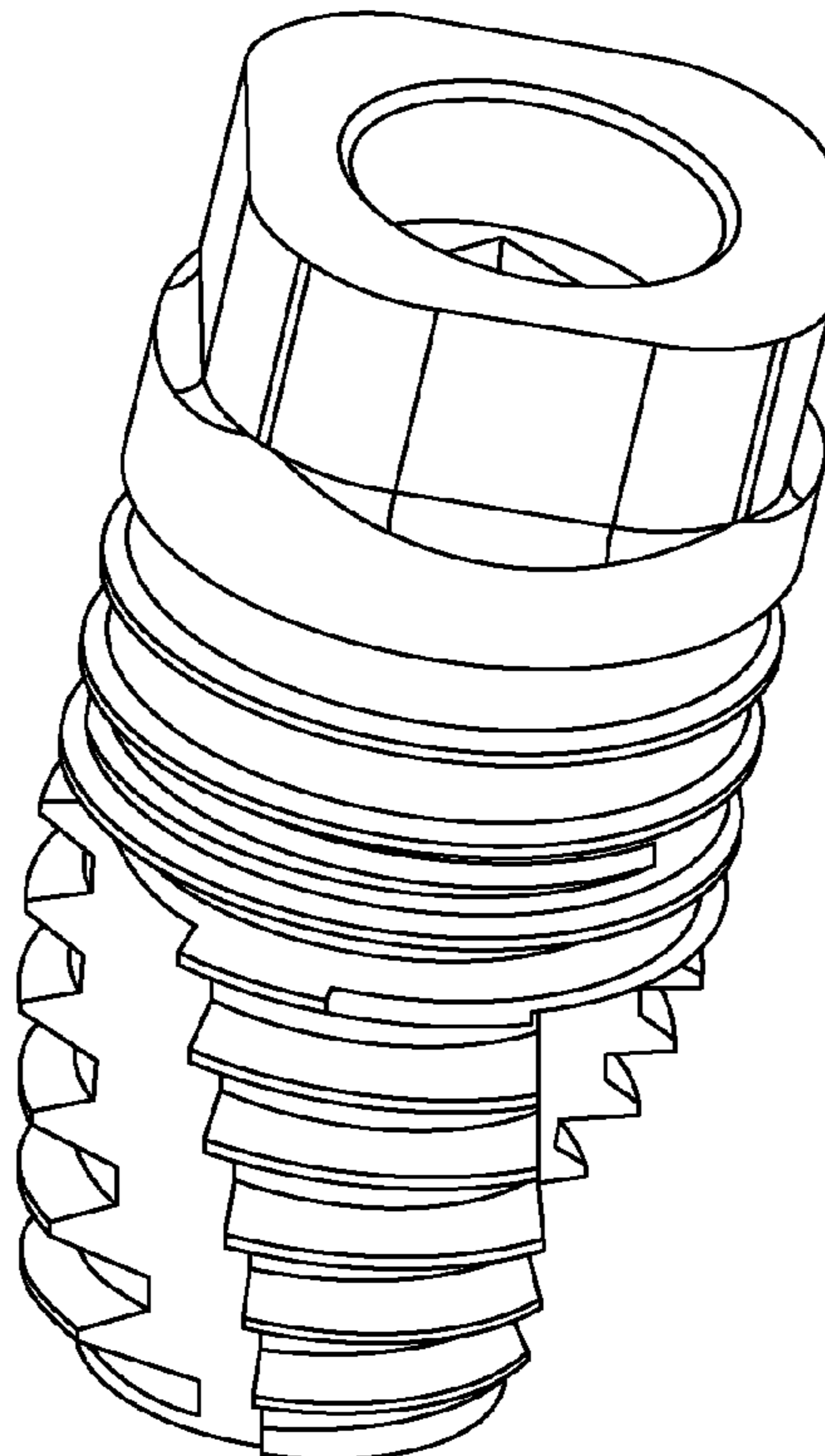
FIG. 4 is a right side view thereof.

FIG. 5 is a rear view thereof.

FIG. 6 is a top view thereof; and,

FIG. 7 is a bottom view thereof.

**1 Claim, 7 Drawing Sheets**



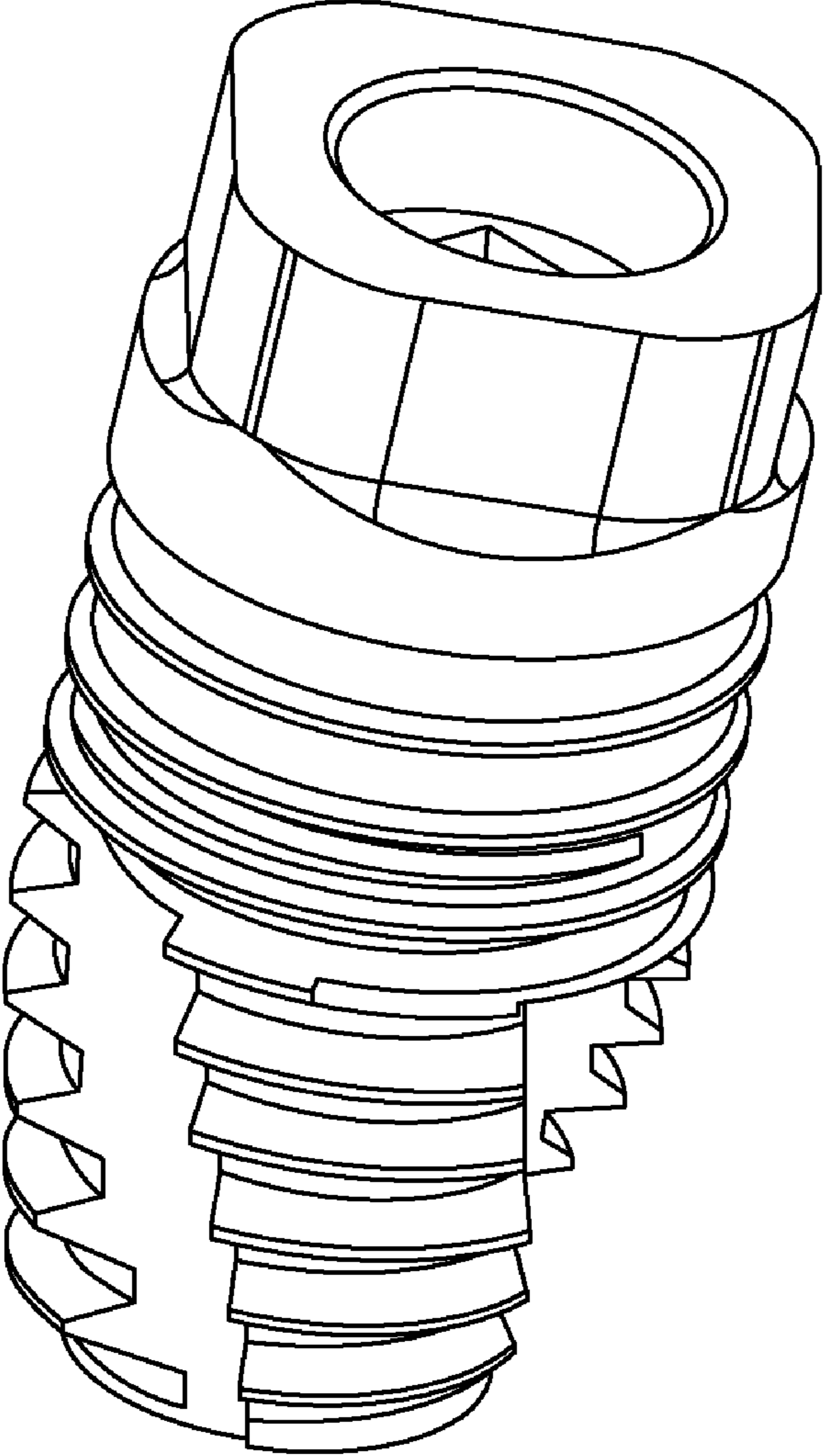


FIG. 1

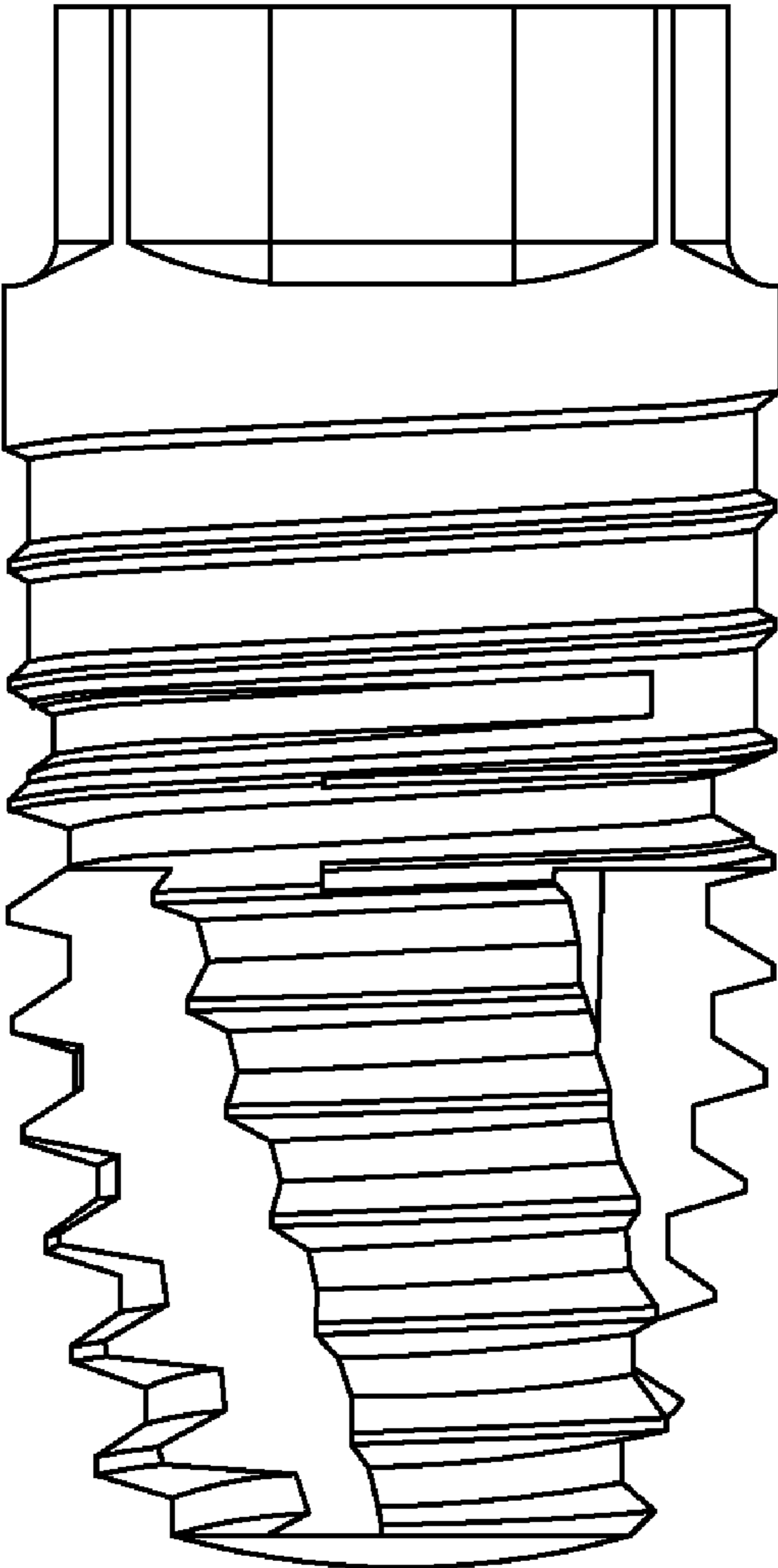


FIG. 2

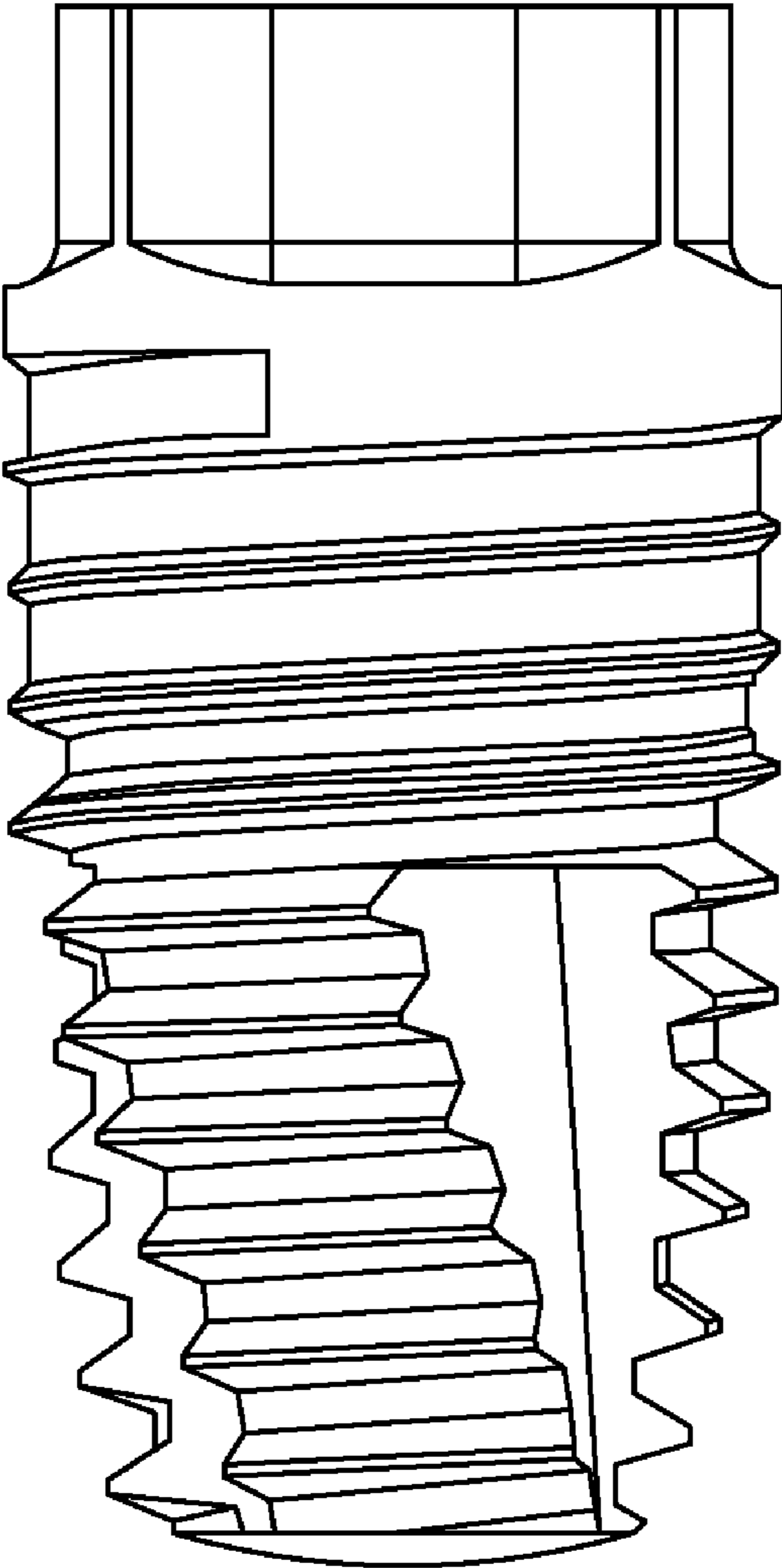


FIG. 3

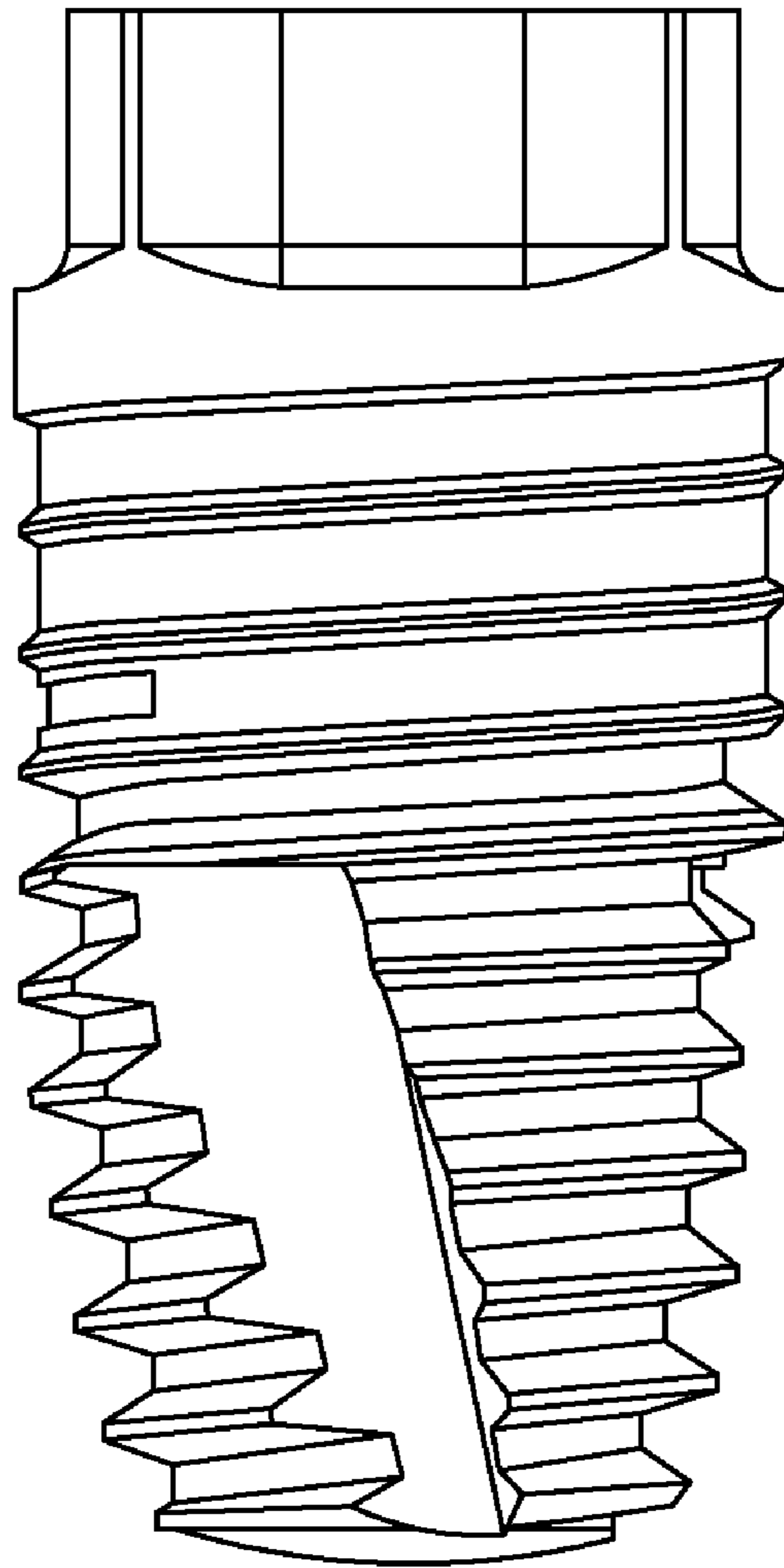


FIG. 4

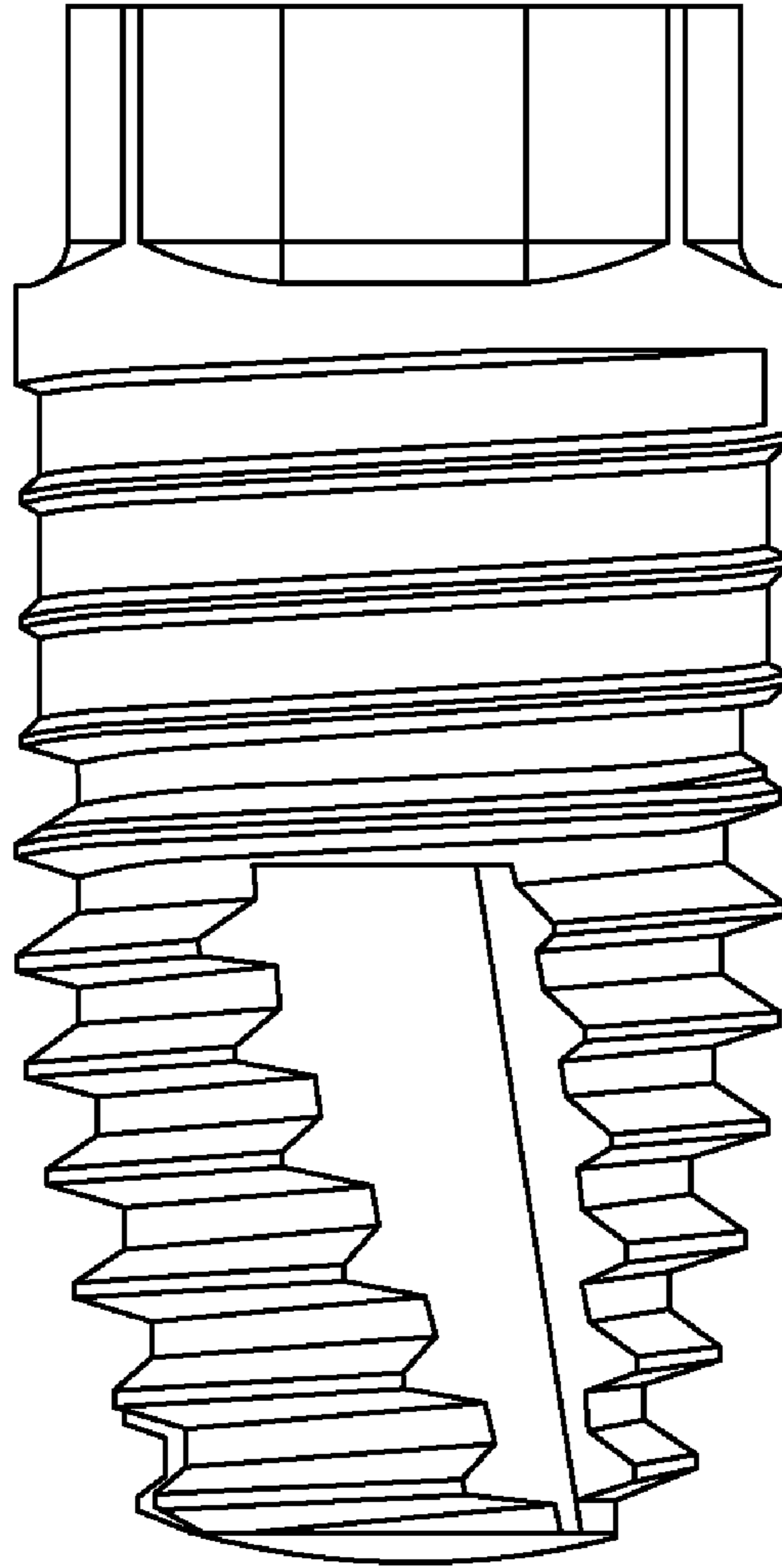


FIG. 5

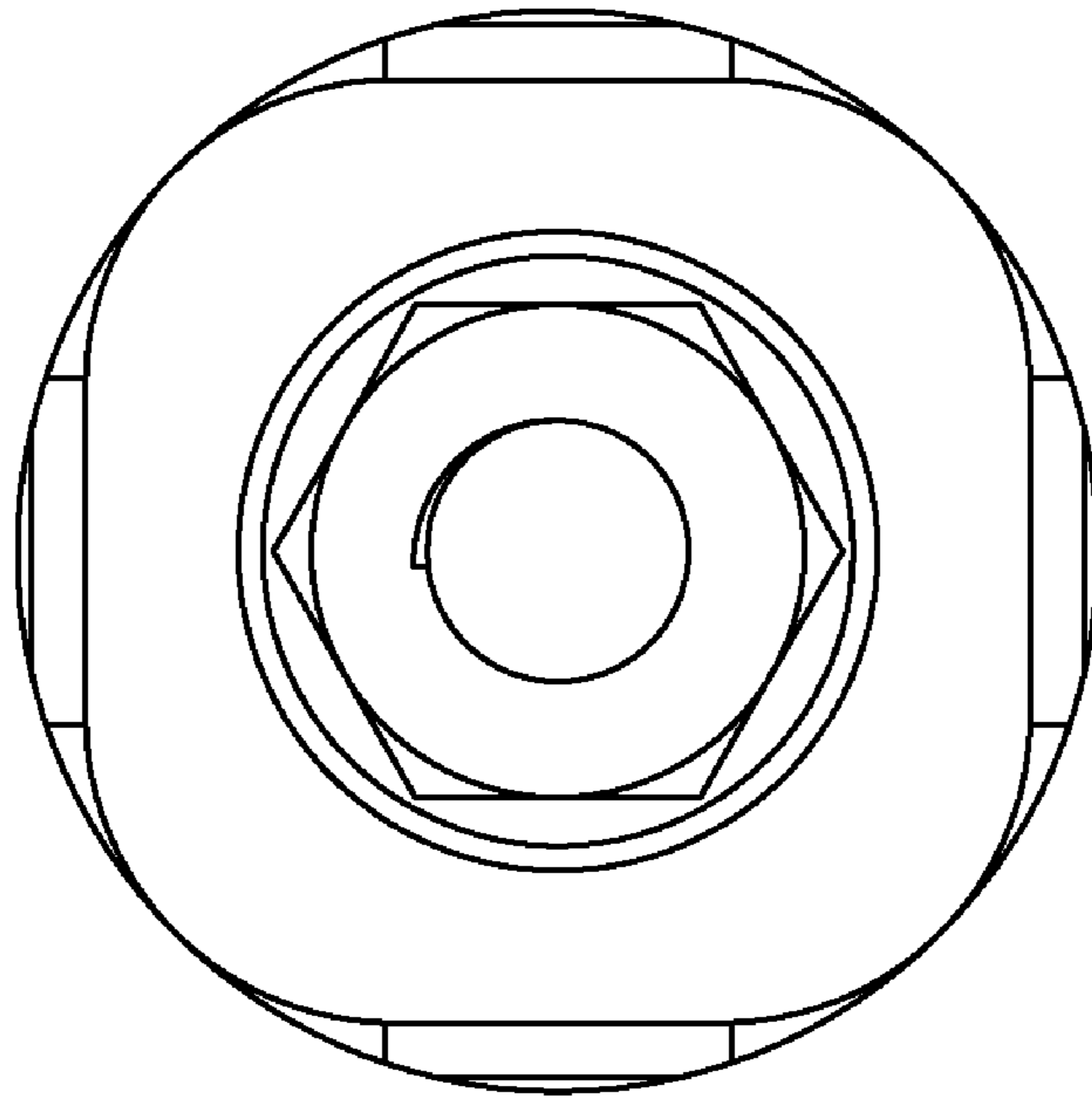


FIG. 6

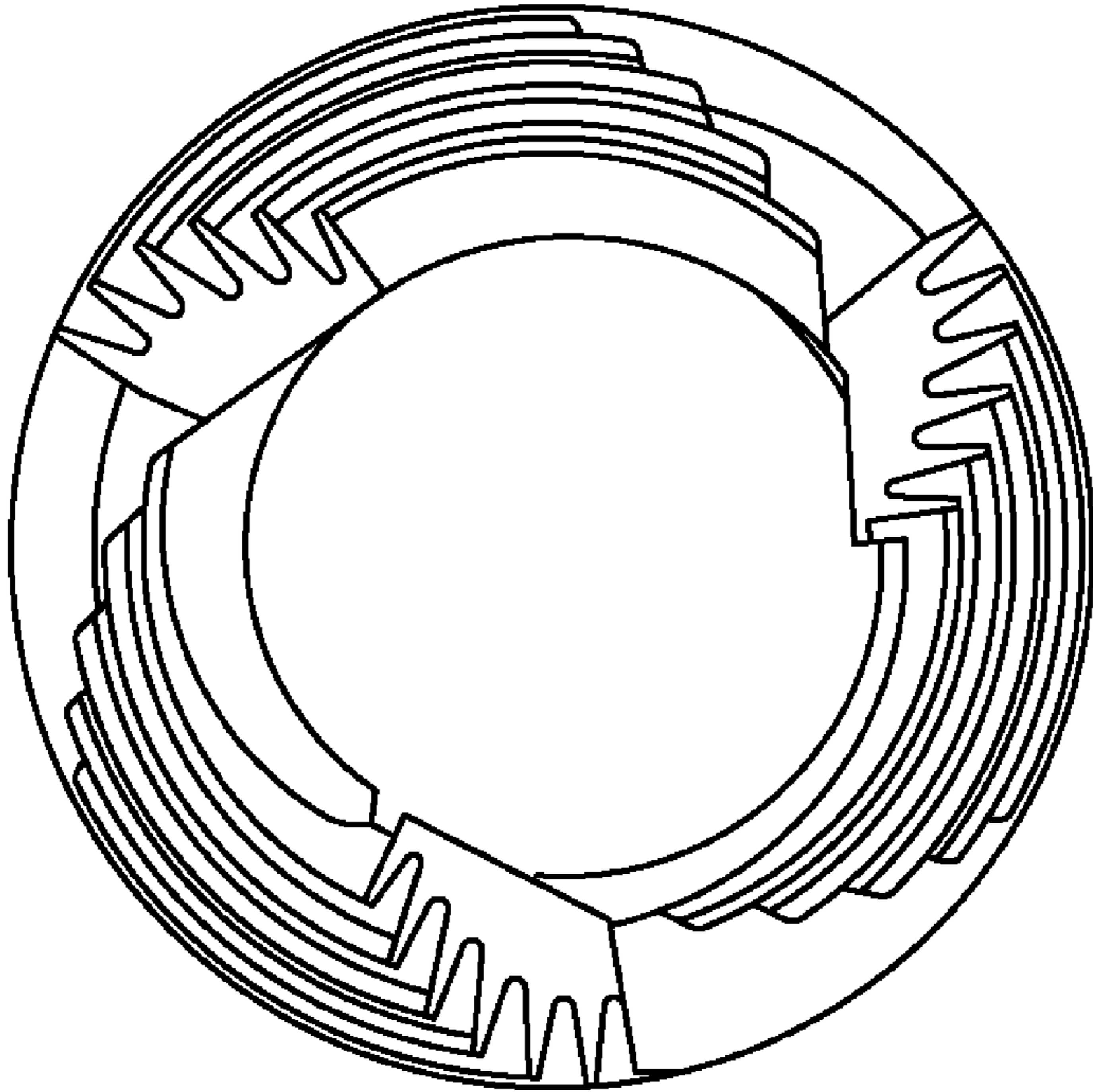


FIG. 7